

SERVICE PARTS LIST

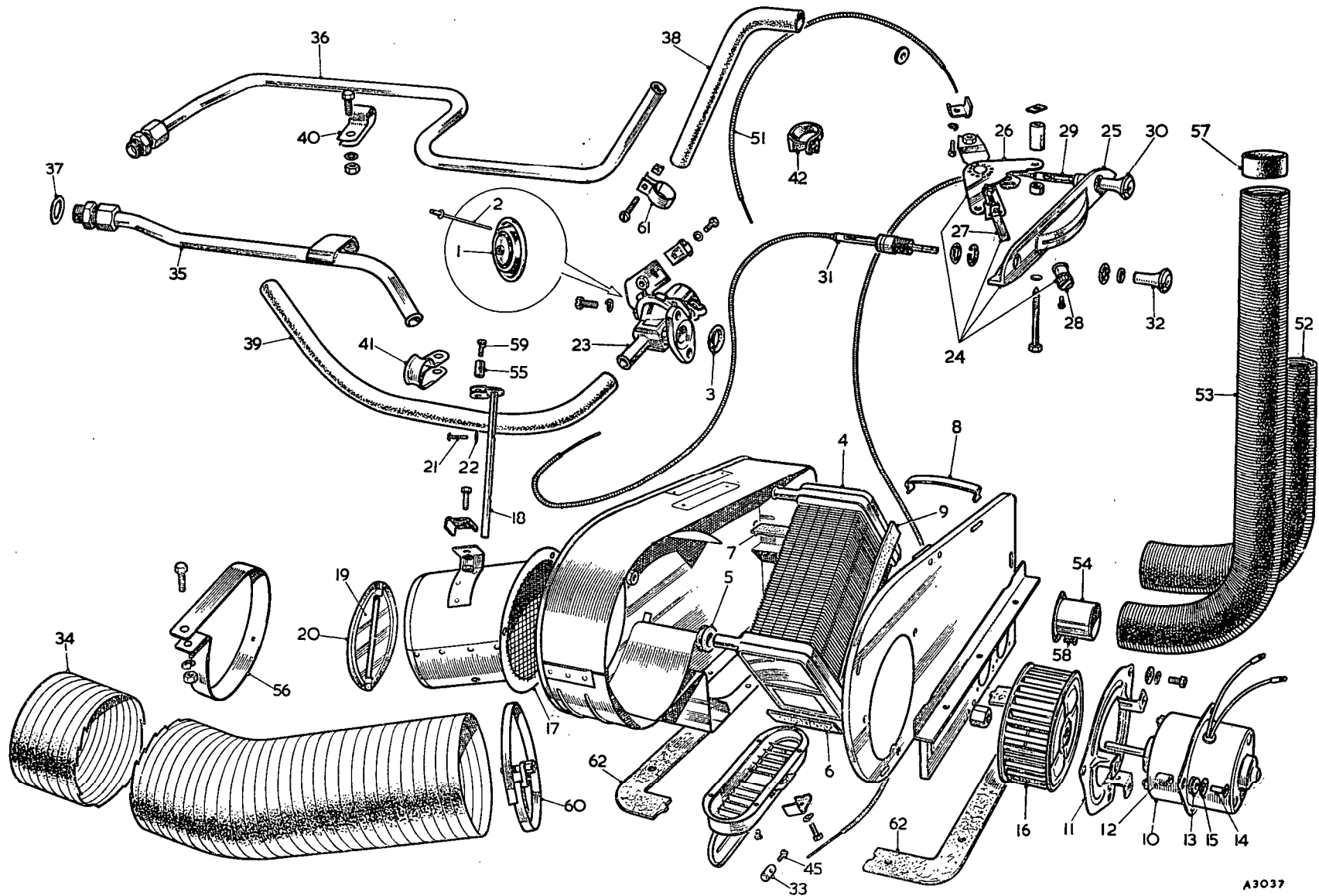
THE M.G. Series MGA TWIN CAM

Item No.	DESCRIPTION	Commencing (C) 501		Qty. per Vehicle		Unit of Issue	Type of Vehicle	MODIFICATIONS			REMARKS
		Part Number	Illus. No.	RHD	LHD			New Part Number	Change Point	Amdt. No.	
	HEATING AND VENTILATING EQUIPMENT										
1	Heater kit assembly	8G9037		1	1						
2	Unit assembly—heater	AHH5760		1	1						
3	Diaphragm	27H613	RU1	1	1						
4	Rivet	17H1793	RU2	1	1						
5	Seal—ring	27H614	RU3	1	1						
6	Radiator	17H1794	RU4	1	1						
7	Grommet	7H1993	RU5	1	1						
8	Seal (felt)	17H1795	RU6	2	2						
9	Pad—seal	17H1796	RU7	2	2						
10	Clip (spring)	17H1595	RU8	2	2						
11	Pad—seal	17H1797	RU9	2	2						
12	Motor	17H1798	RU10	1	1						
13	Plate—motor mounting	17H1799	RU11	1	1						
14	Distance piece	17H1289	RU12	3	3						
15	Grommet	17H1292	RU13	3	3						
16	Rivet	17H1800	RU14	3	3						
17	Washer (plain)	17H1613	RU15	3	3						
18	Runner assembly	17H1801	RU16	1	1						
19	Gauze	17H1597	RU17	1	1						
20	Arm and spindle assembly	17H1802	RU18	1	1						
21	Flap—valve	17H1606	RU19	1	1						
22	Seal	17H1607	RU20	1	1						
23	Screw	17H1618	RU21	2	2						
24	Screw	17H1608	RU22	2	2						
25	Valve—water	27H1660	RU23	1	1						
26	Control assembly—lever (less cables)	AHH5531	RU24	1	1						
27	Escutcheon—heater control unit	17H518	RU25	1	1						
28	Lever control sub-assembly	7H1985	RU26	1	1						
29	Lever and switch assembly	7H1986	RU27	1	1						
30	Knob	17H490	RU28	1	1						
31	Control—push-pull—demist (short)	AHH5787	RU29	1	1						
32	Knob	17H1683	RU30	1	1						
33	Control—push-pull—air (long)	AHH5786	RU31	1	1						
34	Knob	17H1683	RU32	1	1						
35	Trunnion—heater door	14A5753	RU33	1	1						
36	Hose—air (3/8")	AHH5785	RU34	1	1						
37	Pipe and union assembly—inlet (water)	AHH5843	RU35	1	1						
38	Pipe and union assembly—outlet (water)	AHH5844	RU36	1	1						
39	Washer—union (aluminium)	BHA4088	RU37	2	2						
40	Hose—water (1/2" x 12 1/2")	AHH5437	RU38	1	1						
41	Hose—water (1/2" x 25")	BHA4089	RU39	1	1						
42	Cleat—copper water pipes	BHA4090	RU40	2	2						
43	Cleat—water hose retaining	BHA4091	RU41	1	1						

SERVICE PARTS LIST

THE M.G. Series MGA TWIN CAM

Item No.	DESCRIPTION	Commencing (C) 501		Qty. per Vehicle		Unit of Issue	Type of Vehicle	MODIFICATIONS			REMARKS
		Part Number	Illus. No.	RHD	LHD			New Part Number	Change Point	Amdt. No.	
	Heating and Ventilating Equipment—continued										
1	Clip for cable	AHH5440	RU42	1	1						
2	Screw	HZS0405	RU43	2	2						
3	Screw	PMZ0316	RU44	1	1						
4	Screw	PMZ0308	RU45	2	2						
5	Nut	FNZ104	RU46	2	2						
6	Nut	FNZ103	RU47	3	3						
7	Washer (shakeproof).....	17H1638	RU48	2	2						
8	Washer (spring)	LWZ204	RU49	2	2	12					
9	Washer (spring)	LWZ203	RU50	1	1						
10	Cable (34½")	AHH5529	RU51	1	1						
11	Hose—air (14")	AHH5427	RU52	1	1						
12	Hose—air (25")	AHH5428	RU53	1	1						
13	Tube—demist	AHH5426	RU54	2	2						
14	Trunnion	14G6451	RU55	3	3						
15	Clamp—hose	AHH5714	RU56	3	3						
16	Adaptor—demister	AHH5429	RU57	2	2						
17	Screw (No. 4 × ¼")	AHH5591	RU58	6	6						
18	Screw (No. 6 × ⅜")	AHH5598	RU59	4	4						
19	Clip	14G800	RU60	2	2						
20	Clip for hose.....	301140	RU61	4	4						
21	Gasket for bulkhead blanking plate.....	AHH5253	RU62	2	2						
	FRESH-AIR VENTILATION EQUIPMENT										
22	Fresh-air kit assembly	8G9038		1	1						
23	Unit assembly—fresh-air	AHH5797		1	1						
24	Control—push-pull (air).....	AHH5786		1	1						
25	Knob	17H1683		1	1						
26	Switch	17H1941		1	1						
27	Hose—air (36")	AHH5785		1	1						
28	Hose—air (intake)	AHH5394		1	1						
29	Trunnion	14G6451		1	1						
30	Bracket—push-pull control	17H1938		1	1						
31	Bracket—blower switch	17H1939		1	1						
32	Clip	AHH5714		3	3						
33	Screw (No. 6 × ⅝" raised head)	17H1940		4	4						
34	Screw (No. 6 × ⅝" recessed head)	53K155		1	1						
35	Screw (No. 10 × 1")	PMZ0316		3	3						
36	Nut for screw.....	FNZ103		3	3						
37	Washer for nut (spring)	LWZ203		3	3						
38	Clip	14G800		2	2						
39	Wire assembly—blower switch to harness	17H1984		1	1						
40	Wire assembly—blower switch to harness	17H1983		1	1						
41	Gasket for bulkhead blanking plate.....	AHH5253		2	2						



A3037

SERVICE PARTS LIST

THE M.G. Series MGA TWIN CAM

Item No.	DESCRIPTION	Commencing (C) 501		Qty. per Vehicle		Unit of Issue	Type of Vehicle	MODIFICATIONS			REMARKS
		Part Number	Illus. No.	RHD	LHD			New Part Number	Change Point	Amdt. No.	
	<u>TOOL KIT</u>										
1	Bag—tool	181756		1	1						
2	Strap—tool bag	186890		2	2						
3	Roll—tool	ACG5247		1	1						
4	Spanner—box ($\frac{7}{16}$ " x $\frac{1}{2}$ " UNF.)	BXS0708		1	1						
5	Spanner—box ($\frac{7}{16}$ " x $\frac{3}{8}$ " UNF.)	BXS0910		1	1						
6	Spanner—box ($\frac{11}{16}$ " x $\frac{3}{8}$ " UNF.)	BXS1112		1	1						
7	Spanner ($\frac{7}{16}$ " x $\frac{1}{2}$ " UNF.)	OES0708		1	1						
8	Spanner ($\frac{9}{16}$ " x $\frac{3}{8}$ " UNF.)	OES0910		1	1						
9	Spanner ($\frac{11}{16}$ " x $\frac{3}{8}$ " UNF.)	OES1112		1	1						
10	Spanner—box—sparkling plug	AJD6918		1	1						
11	Tommy-bar	ACA5216		1	1						
12	Spanner—adjustable	ACG5283		1	1						
13	Screwdriver (recessed-head screw)	ACH5490		1	1						
14	Screwdriver	ACA5218		1	1						
15	Pliers	AJJ279		1	1						
16	Lever—tyre (spoon)	AJJ281		2	2						
17	Spanner—tyre valve	AMK9958		1	1						
18	Screwdriver and gauge—distributor	3H2648		1	1						
19	Key—rear axle drain plug	1G7372		1	1						
20	Pump—tyre (with connection)	BHA4067		1	1						
21	Gun—grease	BHA4076		1	1						
22	Handle—starting	AHH5080		1	1						
23	Jack—lifting (with handle)	AHH5124		1	1						
24	Hammer (copper)	11B5166		1	1						
25	Spanner—hub cap	AHH5839			1						Germany only

SERVICE PARTS LIST

THE M.G. Series MGA TWIN CAM

Item No.	DESCRIPTION	Commencing (C) 501		Qty. per Vehicle		Unit of Issue	Type of Vehicle	MODIFICATIONS			REMARKS
		Part Number	Illus. No.	RHD	LHD			New Part Number	Change Point	Amdt. No.	
	SERVICE TOOLS										
	ENGINE AND CLUTCH										
1	Cutter—valve seat—and pilot handle	18G27		1	1						
2	Cutter—valve seat finishing (inlet)	18G28		1	1						
3	Cutter—valve seat narrowing—top (inlet)	18G28B		1	1						
4	Cutter—valve seat—pilot	18G174D		1	1						
5	Cutter—valve seat finishing (exhaust)	18G174		1	1						
6	Cutter—valve seat narrowing (exhaust)	18G174B		1	1						
7	Glaze breaker—valve seat (inlet)	18G28A		1	1						
8	Glaze breaker—valve seat (exhaust)	18G174A		1	1						
9	Grinding-in tool—valve	18G29		1	1						
10	Pad—suction—valve grinding-in tool	18G29A		1	1						
11	Centralizer—clutch	18G39		1	1						
12	Gauging fixture—clutch assembly	18G99A		1	1						
13	Spacer adaptor—clutch assembly	18G99B		1	1						
14	Compressor—piston ring	18G55A		1	1						
15	Grinding-in tool—oil pump release valve	18G69		1	1						
16	Spanner—starting nut	18G98		1	1						
17	Adaptor—radiator reverse-flush	18G187		1	1						
18	Adaptor—main bearing cap remover	18G284A		1	1						
19	Extractor—impulse—UNF. (basic tool)	18G284		1	1						For use with 18G284
20	Remover—crankshaft gear	18G309		1	1						
21	Keys—camshaft timing	18G551		1 pr.	1 pr.						
22	Reamer—camshaft liner (basic tool)	18G123A		1	1						
23	Cutter—camshaft liner reamer	18G123B		1	1						
24	Cutter—camshaft liner reamer	18G123E		1	1						
25	Cutter—camshaft liner reamer	18G123F		1	1						
26	Pilot—camshaft liner reamer	18G123L		1	1						
27	Pilot—camshaft liner reamer	18G123T		1	1						
28	Pilot—camshaft liner reamer	18G123AB		1	1						
29	Pilot—camshaft liner reamer	18G123AC		1	1						
30	Pilot—camshaft liner reamer	18G123AD		1	1						
31	Remover and replacer—camshaft liner (basic tool)	18G124A		1	1						
32	Adaptor—camshaft liner remover and replacer	18G124B		1	1						
33	Adaptor—camshaft liner remover and replacer	18G124C		1	1						
34	Adaptor—camshaft liner remover and replacer	18G124F		1	1						
35	Adaptor—camshaft liner remover and replacer	18G124H		1	1						
36	Compressor—valve spring	18G585		1	1						

SERVICE PARTS LIST

THE M.G. Series MGA TWIN CAM

Item No.	DESCRIPTION	Commencing (C) 501		Qty. per Vehicle		Unit of Issue	Type of Vehicle	MODIFICATIONS			REMARKS
		Part Number	Illus. No.	RHD	LHD			New Part Number	Change Point	Amdt. No.	
	Service Tools—continued										
	GEARBOX										
1	Replacer—bearing and oil seal (basic tool)	18G134		1	1						
2	Adaptor—rear oil seal replacer	18G134N		1	1						
3	Ring—synchronesh unit assembly (2nd speed)	18G222		1	1						
4	Ring—synchronesh unit assembly (3rd and top)	18G223		1	1						
5	Remover—rear oil seal (basic tool)	18G389		1	1						
6	Adaptor—rear oil seal remover	18G389B		1	1						
7	Layshaft—dummy	18G471		1	1						
	REAR AXLE AND SUSPENSION										
8	Wrench—bevel pinion flange	18G34A		1	1						
9	Remover—differential bearing (basic tool)	18G47C		1	1						
10	Adaptor—differential bearing remover	18G47T		1	1						
11	Replacer—bearing and oil seal (basic tool)	18G134		1	1						
12	Spanner—rear hub nut	18G152		1	1						
13	Setting gauge—bevel pinion and differential	18G191B		1	1						
14	Gauge—preload—bevel pinion bearing	18G207		1	1						
15	Remover—bevel pinion bearing outer race (basic tool)	18G264		1	1						
16	Adaptor—bevel pinion bearing outer race remover	18G264E		1	1						
17	Adaptor—bevel pinion bearing outer race remover	18G264F		1	1						
18	Remover and replacer—bevel pinion bearing inner race	18G285		1	1						
19	Remover—front and rear hub (basic tool)	18G304		1	1						
20	Adaptor—hub remover	18G304B		1	1						
21	Pad—thrust—hub remover	18G304J		1	1						
22	Resetting tool—disc brake	18G553		1	1						
23	Adaptor—rear hub bearing remover	18G134P		1	1						
	FRONT SUSPENSION AND STEERING										
24	Remover—front and rear hub (basic tool)	18G304		1	1						
25	Adaptor—front hub remover	18G304C		1	1						
26	Remover—steering-wheel	18G310		1	1						
27	Spanner—steering tie-rod pin	18G312		1	1						
28	'C' spanner—steering tie-rod	18G313		1	1						
29	Resetting tool—disc brake	18G553		1	1						
30	Remover—front hub grease cap	18G568		1	1						

SERVICE PARTS LIST

THE M.G. Series MGA TWIN CAM

Item No.	DESCRIPTION	Commencing (C) 501		Qty. per Vehicle		Unit of Issue	Type of Vehicle	MODIFICATIONS			REMARKS
		Part Number	Illus. No.	RHD	LHD			New Part Number	Change Point	Amdt. No.	
	PAINT—TOUCHING-UP—AIR-DRYING										
1	Glacier Blue	AKJ16		1 pt.	1 pt.		Tourer		Fin. (C) 2192		
2	Glacier Blue	AKJ17		1 qt.	1 qt.						
3	Glacier Blue	AKJ18		½ gal.	½ gal.						
4	Glacier Blue	AKJ19		1 gal.	1 gal.		Coupé		Fin. (C) 2291		
5	Glacier Blue	AKJ20		5 gal.	5 gal.						
6	Mineral Blue	AKJ41		1 pt.	1 pt.						
7	Mineral Blue	AKJ42		1 qt.	1 qt.						
8	Mineral Blue	AKJ43		½ gal.	½ gal.						
9	Mineral Blue	AKJ44		1 gal.	1 gal.						
10	Mineral Blue	AKJ45		5 gal.	5 gal.		Coupé		Fin. (C) 2291		
11	Orient Red	AKJ1011		1 pt.	1 pt.						
12	Orient Red	AKJ1012		1 qt.	1 qt.						
13	Orient Red	AKJ1013		½ gal.	½ gal.						
14	Orient Red	AKJ1014		1 gal.	1 gal.						
15	Orient Red	AKJ1015		5 gal.	5 gal.						
16	Ash Green	AKJ756		1 pt.	1 pt.		Coupé		Fin. Tourer (C) 2192, Coupé (C) 2291		
17	Ash Green	AKJ757		1 qt.	1 qt.						
18	Ash Green	AKJ758		½ gal.	½ gal.						
19	Ash Green	AKJ759		1 gal.	1 gal.						
20	Ash Green	AKJ760		5 gal.	5 gal.						
21	Old English White	AKJ1261		1 pt.	1 pt.		Coupé		Fin. (C) 2192, Coupé (C) 2291		
22	Old English White	AKJ1262		1 qt.	1 qt.						
23	Old English White	AKJ1263		½ gal.	½ gal.						
24	Old English White	AKJ1264		1 gal.	1 gal.						
25	Old English White	AKJ1265		5 gal.	5 gal.						
26	Black	AKJ1451		1 pt.	1 pt.		Coupé		Fin. (C) 2192, Coupé (C) 2291		
27	Black	AKJ1452		1 qt.	1 qt.						
28	Black	AKJ1453		½ gal.	½ gal.						
29	Black	AKJ1454		1 gal.	1 gal.						
30	Black	AKJ1455		5 gal.	5 gal.						

SERVICE PARTS LIST

THE M.G. Series MGA TWIN CAM

Item No.	DESCRIPTION	Commencing (C) 501		Qty. per Vehicle		Unit of Issue	Type of Vehicle	MODIFICATIONS			REMARKS
		Part Number	Illus. No.	RHD	LHD			New Part Number	Change Point	Amdt. No.	
	Paint—Touching-up—Air-drying—continued										
1	Alamo Beige			1 pt.	1 pt.			AKJ546] Com. Tourer (C) 2193, Coupé (C) 2292		
2	Alamo Beige			1 qt.	1 qt.			AKJ547			
3	Alamo Beige			½ gal.	½ gal.			AKJ548			
4	Alamo Beige			1 gal.	1 gal.			AKJ549			
5	Alamo Beige			5 gal.	5 gal.			AKJ550			
6	Dove Grey			1 pt.	1 pt.			AKJ381			
7	Dove Grey			1 qt.	1 qt.			AKJ382			
8	Dove Grey			½ gal.	½ gal.			AKJ383			
9	Dove Grey			1 gal.	1 gal.			AKJ384			
10	Dove Grey			5 gal.	5 gal.			AKJ385			
11	Chariot Red			1 pt.	1 pt.			AKJ1076			
12	Chariot Red			1 qt.	1 qt.			AKJ1077			
13	Chariot Red			½ gal.	½ gal.			AKJ1078			
14	Chariot Red			1 gal.	1 gal.			AKJ1079			
15	Chariot Red			5 gal.	5 gal.			AKJ1080			
16	Iris Blue			1 pt.	1 pt.			AKJ56			
17	Iris Blue			1 qt.	1 qt.			AKJ57			
18	Iris Blue			½ gal.	½ gal.			AKJ58			
19	Iris Blue			1 gal.	1 gal.			AKJ59			
20	Iris Blue			5 gal.	5 gal.			AKJ60			