

A3031

SERVICE PARTS LIST

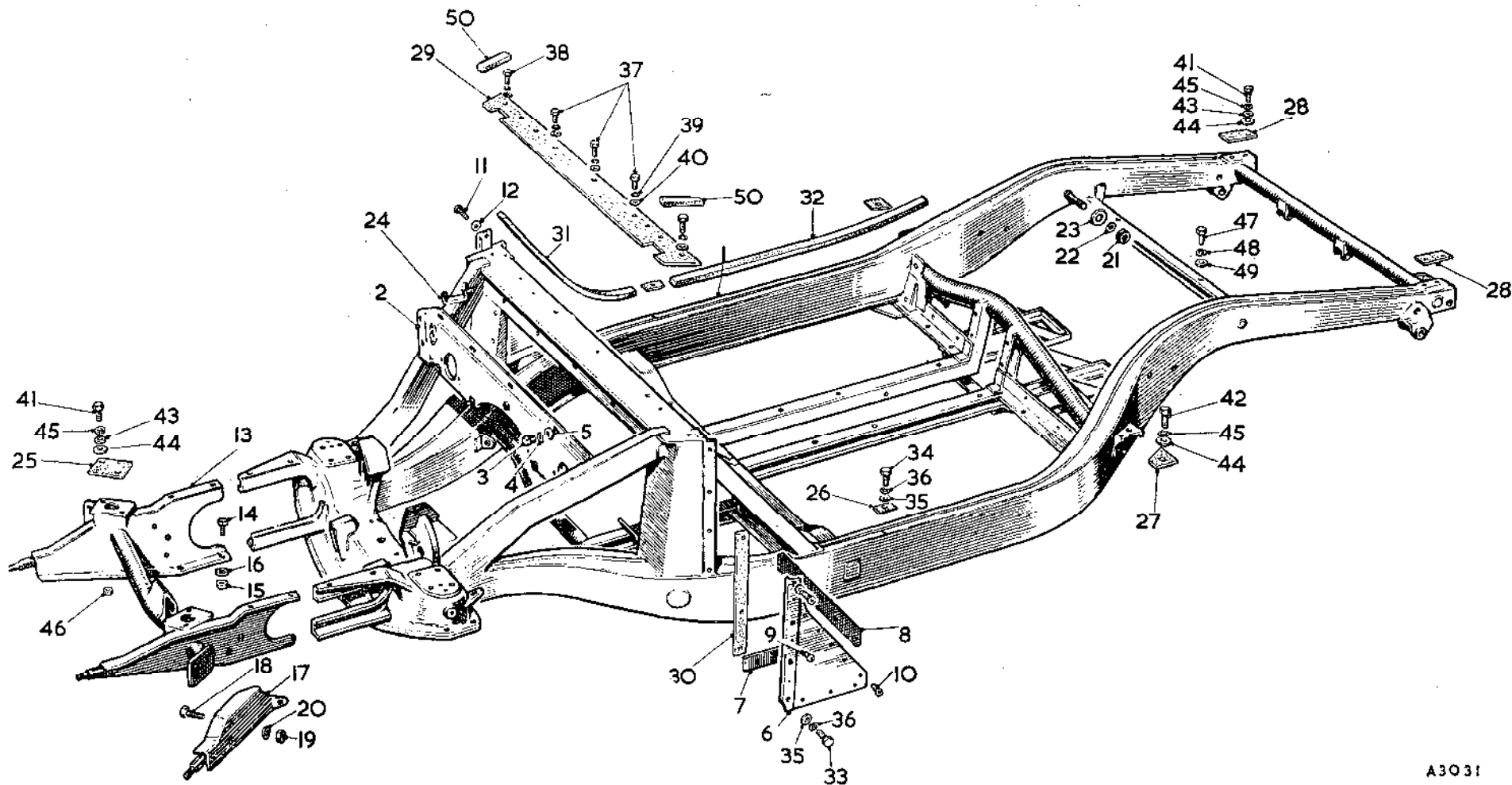
THE M.G. Series MGA TWIN CAM

Item No.	DESCRIPTION	Commencing (C) 501		Qty. per Vehicle		Unit of Issue	Type of Vehicle	MODIFICATIONS			REMARKS
		Part Number	Illus. No.	RHD	LHD			New Part Number	Change Point	Amdt. No.	
	CHASSIS FRAME										
1	Frame—chassis	AHH5708	Q1	1	1						
2	Plate assembly—toeboard support	AHH5293	Q2	1	1						
3	Screw—toeboard plate to goalpost	HPZ0406	Q3	9	9						
4	Washer for screw (spring)	LWZ204	Q4	9	9	12					
5	Washer for screw (plain)	PWZ104	Q5	9	9	12					
6	Cover-plate—goalpost—R.H.	AHH5343		1	1						
7	Cover-plate—goalpost—L.H.	AHH5344	Q6	1	1						
8	Seal—cover-plate—lower (felt)	AHH5345	Q7	2	2						
9	Seal—cover-plate—upper (felt)	AHH5346	Q8	2	2						
10	Screw—cover-plate to goalpost	CTZ803	Q9	6	6						
11	Screw—cover-plate to goalpost stay	PTZ1003	Q10	8	8						
12	Screw—cover-plate to goalpost stay	PTZ1005	Q11	2	2						
13	Washer for screw (plain)	PWZ203	Q12	2	2						
14	Extension assembly (front)	AHH5129	Q13	1	1			AHH5924	Com. (C) 2275	473	
15	Screw—extension to frame bracket	HZS0606	Q14	8	8						
16	Nut for screw	FNZ106	Q15	8	8						
17	Washer for screw (spring)	LWZ206	Q16	8	8						
18	Bracket assembly—bumper support—R.H.	AHH5139		1	1						
19	Bracket assembly—bumper support—L.H.	AHH5140	Q17	1	1						
20	Screw—bracket assembly to front extension	HZS0506	Q18	6	6						
21	Nut for screw	FNZ105	Q19	6	6						
22	Washer for screw (spring)	LWZ205	Q20	6	6	24					
23	Nut for rebound strap spindle	FNZ106	Q21	2	2						
24	Washer for nut (spring)	LWZ206	Q22	2	2						
25	Washer for nut (plain)	PWZ206	Q23	2	2						
26	Bracket assembly—abutment (starter switch)	AHH5809	Q24	1	1						

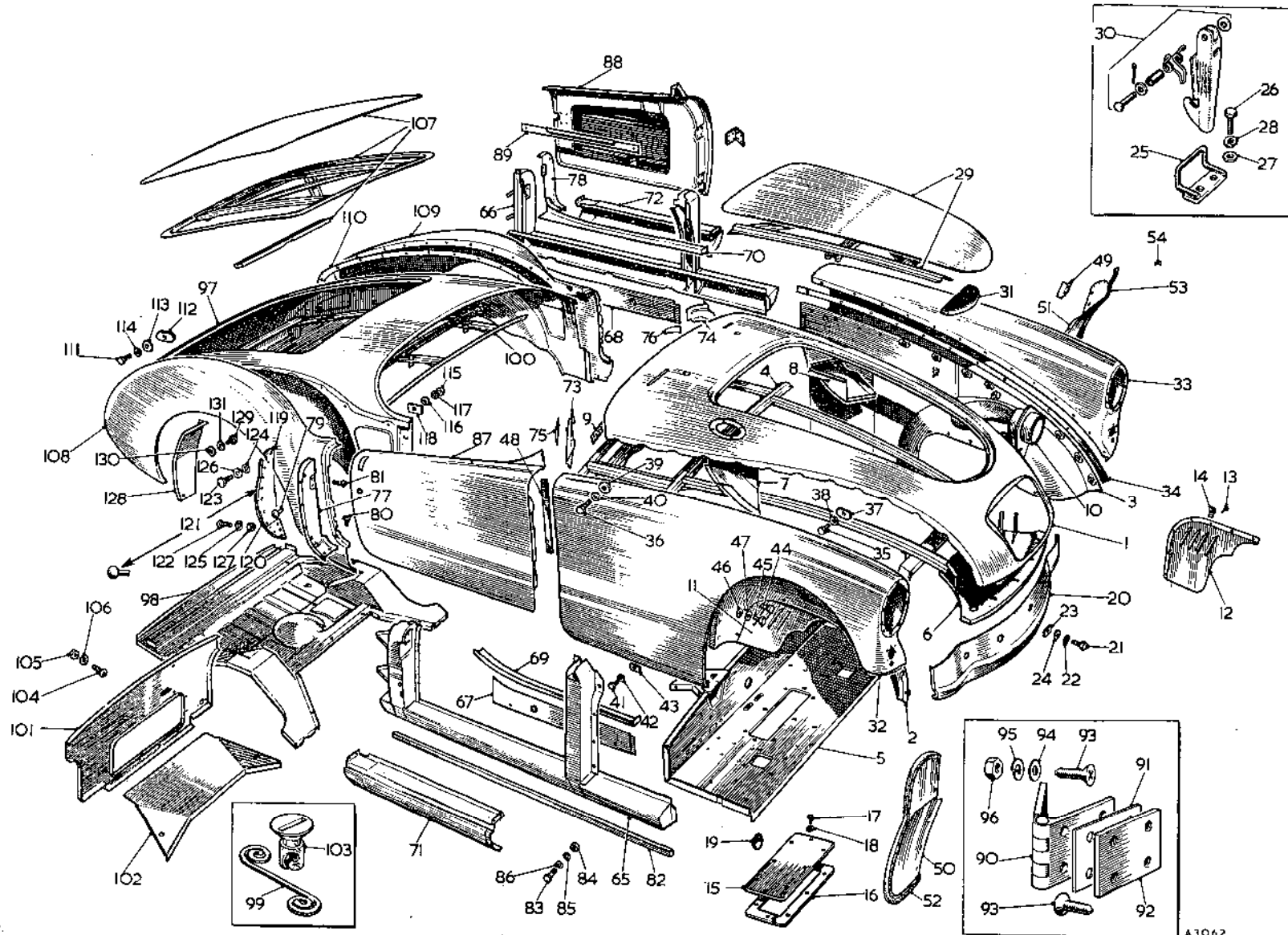
SERVICE PARTS LIST

THE M.G. Series MGA TWIN CAM

Item No.	DESCRIPTION	Commencing (C) 501		Qty. per Vehicle		Unit of Issue	Type of Vehicle	MODIFICATIONS			REMARKS
		Part Number	Illus. No.	RHD	LHD			New Part Number	Change Point	Amdt. No.	
	BODY MOUNTING										
1	Packing—front extension support bracket	AHH5173	Q25	2	2						
2	Packing—front door post bracket	AHH5174	Q26	2	2						
3	Packing—shut pillar body mounting bracket	AHH5175	Q27	2	2						
4	Packing—rear body mounting bracket	AHH5176	Q28	2	2						
5	Packing—cross-bar cover-plate	AHH5781	Q29	1	1						
6	Packing—frame goalpost upright (outer)	AHH5178	Q30	2	2						
7	Strip—sealing—body to frame side—front (rubber)	AHH5408	Q31	2	2						
8	Strip—sealing—body to frame side—rear (rubber)	AHH5409	Q32	2	2						
9	Screw—body to goalpost upright	HPZ0508	Q33	8	8						
10	Screw—body to chassis side-member	HPZ0508	Q34	2	2						
11	Washer for screw (plain)	PWZ205	Q35	10	10						
12	Washer for screw (spring)	LWZ205	Q36	10	10	24					
13	Screw—body to goalpost cross-bar	HPZ0506	Q37	3	3						
14	Screw—body to goalpost cross-bar end	HPZ0508	Q38	2	2						
15	Washer for screw (plain)	PWZ205	Q39	5	5						
16	Washer for screw (spring)	LWZ205	Q40	5	5	24					
17	Screw—body to front and rear frame bracket	HPZ0508	Q41	8	8						
18	Screw—body to shut pillar	HPZ0510	Q42	2	2						
19	Washer for screw—small (plain)	PWZ105	Q43	8	8						
20	Washer for screw—large (plain)	PWZ205	Q44	10	10						
21	Washer for screw (spring)	LWZ205	Q45	10	10	24					
22	Nut for screw	FNZ105	Q46	8	8						
23	Screw—body to 4th cross-member	HPZ0506	Q47	2	2						
24	Washer for screw (plain)	PWZ206	Q48	2	2						
25	Washer for screw (spring)	LWZ205	Q49	2	2	24					
26	Strip—sealing—body to cross-bar (rubber)	AHH5328	Q50	2	2						



A3031



A3062

SERVICE PARTS LIST

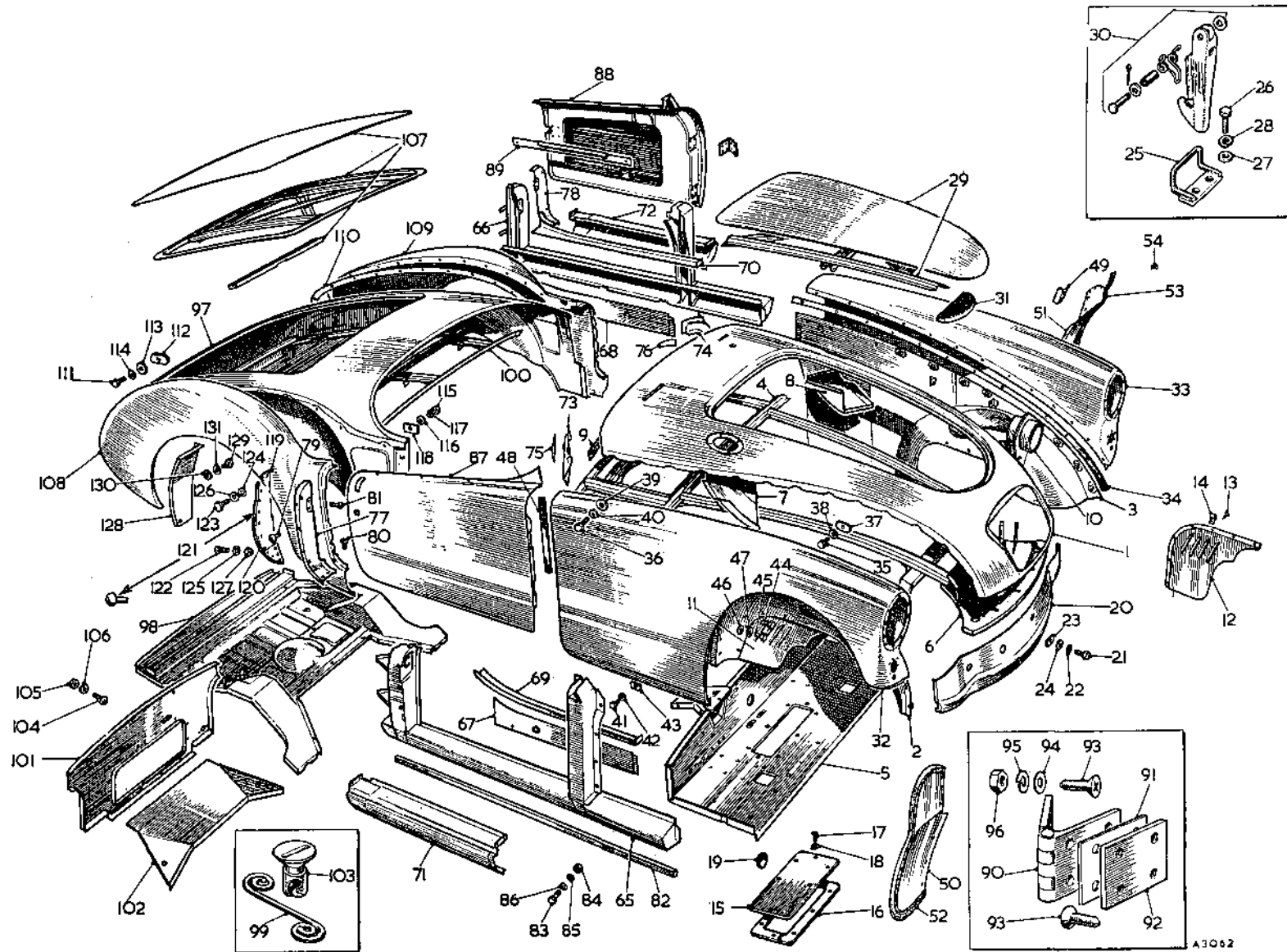
THE M.G. Series MGA TWIN CAM

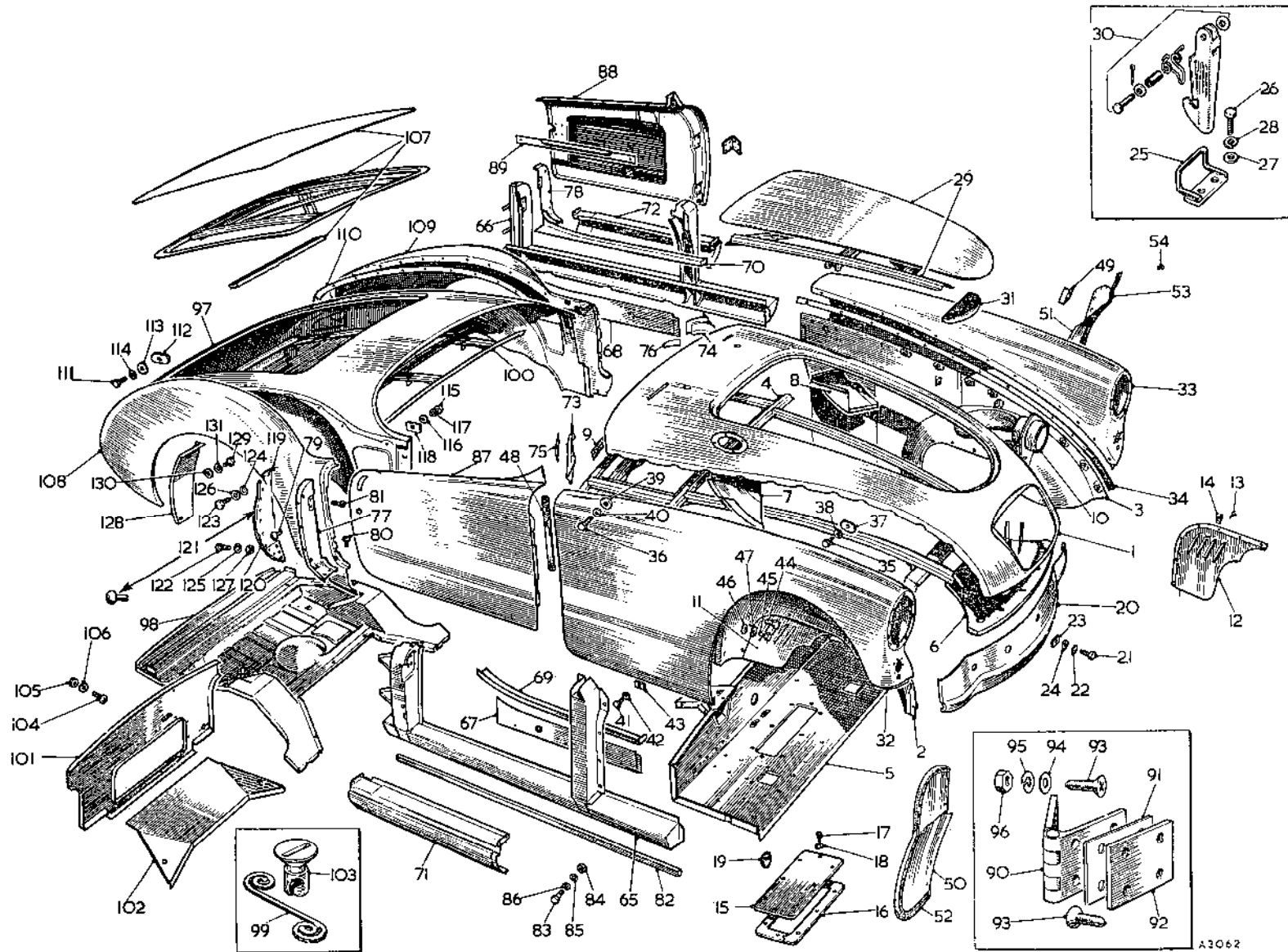
Item No.	DESCRIPTION	Commencing (C) 501		Qty. per Vehicle		Unit of Issue	Type of Vehicle	MODIFICATIONS			REMARKS
		Part Number	Illus. No.	RHD	LHD			New Part Number	Change Point	Amdt. No.	
	BODY SHELL										
1	Shell—body	AFH6582		1	1						
2	Front end assembly	AFH4891		1	1			AFH5833	Com. (C) 592		
3	Panel—bonnet surround	AFH1520	R1	1	1						
4	Front side assembly—R.H.	AFH5796	R2	1	1			AFH5836] Com. (C) 592		
5	Front side assembly—L.H.	AFH5797	R3	1	1			AFH5837			
6	Bonnet surround reinforcement	AFH1521	R4	1	1						
7	Panel assembly—front bulkhead	AFH5472	R5	1	1						
8	Panel—radiator duct	AFH4893	R6	1	1						
9	Box assembly—R.H. air duct	AFH1502	R7	1	1						
10	Box assembly—L.H. air duct	AFH1503	R8	1	1						
11	Strip—front bulkhead packing	AFH1794	R9	1	1						
12	Tube—air duct	AFH15792	R10	2	2						
13	Panel—front wheel arch detachable—R.H.		R11	1	1			AFH5844] Com. (C) 592		
14	Panel—front wheel arch detachable—L.H.		R12	1	1			AFH5845			
15	Screw fixing panel		R13	14	14			PJZ1003			
16	Nut for screw		R14	14	14			PFS310			
17	Cover—plate—heater aperture	AHH5252	R15	1	1						
18	Gasket—heater sealing	AHH5253	R16	2	2						
19	Screw fixing cover-plate	PPZ0310	R17	8	8						
20	Washer for screw (spring)	LWZ203	R18	8	8						
21	Grommet—blanking valve control	4G2541	R19	1	1						
22	Panel—front valance	AFH1896	R20	1	1						
23	Screw fixing panel	AFH2587	R21	14	14		Tourer				
24	Washer for screw (spring)	LWZ203	R22	14	14						
25	Washer plate—valance to body	AFH2546	R23	6	6						
26	Washer for screw (plain)	PWZ203	R24	8	8						
27	Bracket—bonnet lock safety catch	AFH1767	R25	1	1						
28	Screw fixing bracket	AFH2587	R26	2	2						
29	Washer for screw (plain)	PWZ203	R27	2	2						
30	Washer for screw (spring)	LWZ203	R28	2	2						
31	Panel assembly—bonnet lid	AFH4880	R29	1	1						
32	Safety catch assembly	14A366	R30	1	1						
33	Batten—bonnet lid stiffening	AFH4879	R31	1	1						
34	Wing assembly—front—R.H.	AFH1690	R32	1	1			AFH6614] Com. (C) 2193		
35	Wing assembly—front—L.H.	AFH1691	R33	1	1			AFH6615			
36	Piping—front wing	AFH1692	R34	2	2						
37	Screw—front wing to body (1")	HPZ0508	R35	21	21						
38	Screw—front wing to body (1 1/4")	HPZ0510	R36	5	5						
39	Washer plate—front wing fixing	AFH2627	R37	22	22						
40	Washer for screw—small (plain)	PWZ105	R38	2	2						
41	Washer for screw—large (plain)	PWZ205	R39	2	2						
42	Washer for screw (spring)	LWZ205	R40	26	26	24					
43	Screw—front wing to sill	AFH2587	R41	6	6						
44	Washer for screw (spring)	LWZ203	R42	6	6						
45	Washer plate—wing lower fixing	AFH2546	R43	6	6						

SERVICE PARTS LIST

THE M.G. Series MGA TWIN CAM

Item No.	DESCRIPTION	Commencing (C) 501		Qty. per Vehicle		Unit of Issue	Type of Vehicle	MODIFICATIONS			REMARKS
		Part Number	Illus. No.	RHD	LHD			New Part Number	Change Point	Amdt. No.	
	Body Shell—continued										
1	Screw—wing closing plate to body	HPZ0408	R44	2	2						
2	Screw—wing closing plate to body	HPZ0406	R45	6	6						
3	Washer for screw (plain)	PWZ204	R46	8	8						
4	Washer for screw (spring)	LWZ204	R47	8	8	12					
5	Packing—front wing	AFH3840	R48	2	2						
6	Bracket assembly—front wing splash plate	AFH1700	R49	2	2						
7	Splash plate—R.H. front wing	AFH1702	R50	1	1						
8	Splash plate—L.H. front wing	AFH1703	R51	1	1						
9	Seal—R.H. front splash plate (rubber)	AFH1710	R52	1	1						
10	Seal—L.H. front splash plate (rubber)	AFH1711	R53	1	1						
11	Rivet—seal to plate	BRP906	R54	34	34						
12	Screw—splash plate to body	HPZ0405		12	12						
13	Washer for screw (plain)	PWZ204		12	12						
14	Washer for screw (spring)	LWZ204		12	12	12					
15	Screw fixing front splash plate	HZS0405		4	4						
16	Washer for screw (plain)	PWZ204		4	4						
17	Washer for screw (spring)	LWZ204		4	4	12					
18	Washer plate—splash plate to wing	AFH2546		2	2						
19	Screw—splash plate to wing	AFH2587		2	2						
20	Nut for screw	FNZ103		2	2						
21	Washer for nut (spring)	LWZ203		2	2						
22	Sill reinforcement and pillar assembly—R.H.	AFH1620	R65	1	1						
23	Sill reinforcement and pillar assembly—L.H.	AFH1621	R66	1	1		Tourer				
24	Panel—sill inner—R.H.	AFH1656	R67	1	1						
25	Panel—sill inner—L.H.	AFH1657	R68	1	1						
26	Plate—sill sealing—R.H.	AFH1658	R69	1	1						
27	Plate—sill sealing—L.H.	AFH1659	R70	1	1						
28	Panel—sill outer—R.H.	AFH2624	R71	1	1						
29	Panel—sill outer—L.H.	AFH2625	R72	1	1						
30	Pillar top extension—R.H. door hinge	AFH1624	R73	1	1						
31	Pillar top extension—L.H. door hinge	AFH1625	R74	1	1						
32	Backing plate—R.H. hinge pillar extension	AFH1626	R75	1	1						
33	Backing plate—L.H. hinge pillar extension	AFH1627	R76	1	1						
34	Panel—shut pillar facing—R.H.	AFH898	R77	1	1						
35	Panel—shut pillar facing—L.H.	AFH899	R78	1	1						
36	Screw fixing facing panel (side)	RPZ0310	R79	6	6						
37	Screw fixing facing panel (bottom)	RTZ804	R80	4	4						
38	Screw fixing facing panel (top)	CTZ804	R81	4	4						
39	Finisher—sill lower	AFH3752	R82	2	2						
40	Bolt fixing sill finisher (special)	AFH3753	R83	10	10						
41	Nut for bolt	FNZ103	R84	10	10						
42	Lock washer for nut	LWZ403	R85	10	10						
43	Washer for nut (plain)	PWZ203	R86	10	10						
44	Door assembly—R.H.	AFH1666	R87	1	1						
45	Door assembly—L.H.	AFH1667	R88	1	1						
46	Stiffener—door casing	AFH1899	R89	2	2						





A3062

SERVICE PARTS LIST

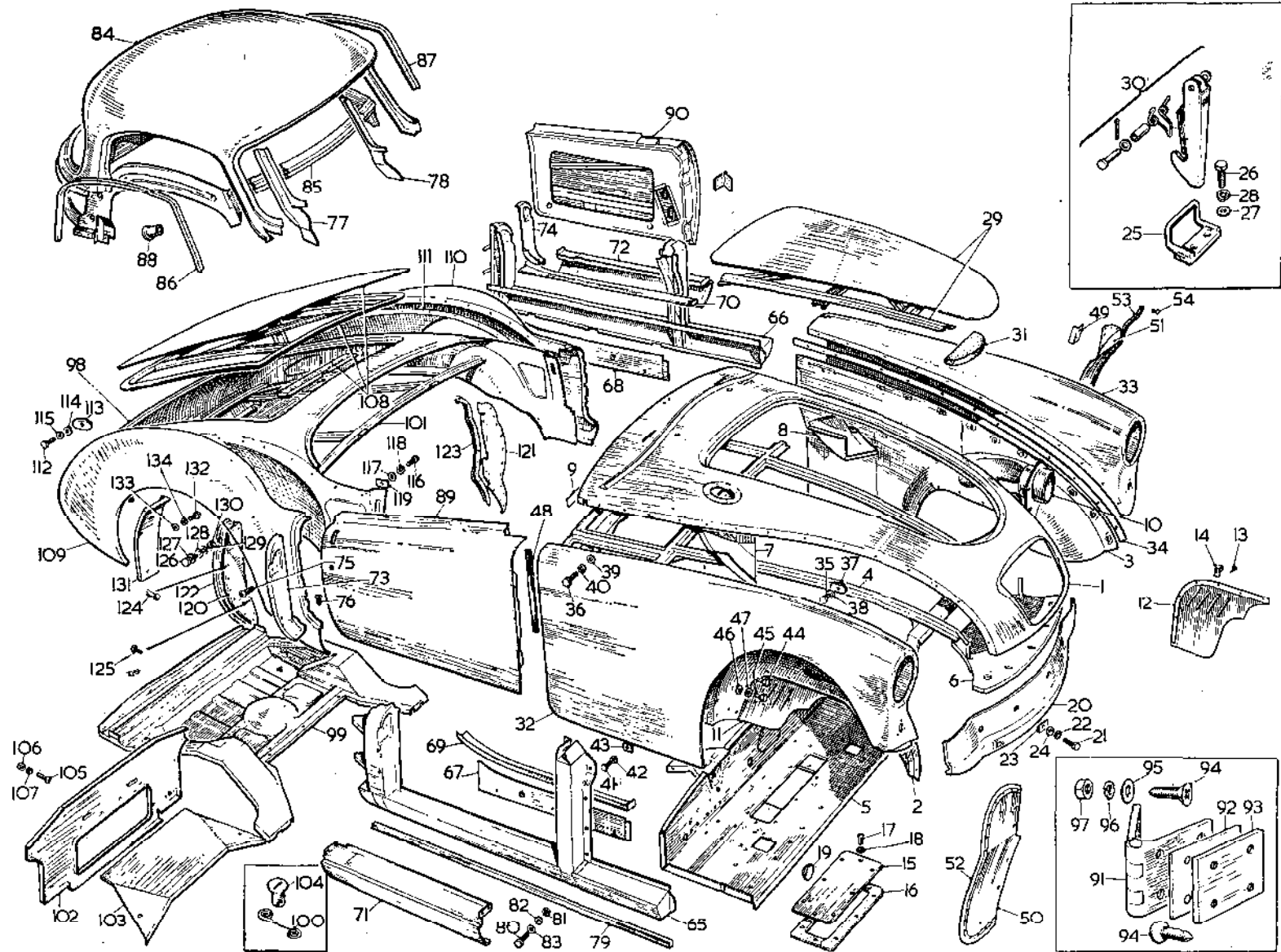
THE M.G. Series MGA TWIN CAM

Item No.	DESCRIPTION	Commencing (C) 501		Qty. per Vehicle		Unit of Issue	Type of Vehicle	MODIFICATIONS			REMARKS
		Part Number	Illus. No.	RHD	LHD			New Part Number	Change Point	Amdt. No.	
	Body Shell—continued										
1	Hinge—door	AFH5832	R90	4	4						
2	Packing—door hinge	AFH5827	R91	4	4						
3	Plate—tapping	AFH1464	R92	4	4						
4	Screw fixing hinge	CPZ0412	R93	32	32						
5	Washer for screw (plain)	PWZ204	R94	16	16						
6	Washer for screw (spring)	LWZ204	R95	16	16						
7	Nut for screw	FNZ104	R96	16	16						
8	Tonneau assembly	AFH1754		1	1						
9	Tonneau sub-assembly	AFH1870		1	1						
10	Tonneau panel	AFH1871	R97	1	1						
11	Floor assembly—trunk	AFH1874	R98	1	1						
12	Dzus spring	7H9828	R99	2	2						
13	Reinforcement assembly—tonneau	AFH1579	R100	1	1						
14	Panel assembly—rear bulkhead	AFH1585	R101	1	1						
15	Panel assembly—battery cover	AFH1663	R102	1	1						
16	Dzus fastener	7H9827	R103	2	2						
17	Screw fixing rear bulkhead panel	PMZ0308	R104	2	2						
18	Nut for screw	FNZ103	R105	2	2						
19	Washer for nut (spring)	LWZ203	R106	2	2						
20	Lid assembly—trunk	AFH5474	R107	1	1						
21	Wing assembly—rear—R.H.	AFH1768	R108	1	1						
22	Wing assembly—rear—L.H.	AFH1769	R109	1	1						
23	Piping—rear wing	AFH1693	R110	2	2		Tourer				
24	Screw—rear wing to body	HPZ0508	R111	22	22						
25	Washer plate—rear wing fixing	AFH2627	R112	20	20						
26	Washer for screw (plain)	PWZ205	R113	2	2						
27	Washer for screw (spring)	LWZ205	R114	22	22	24					
28	Screw—rear wing to sill	AFH2587	R115	4	4						
29	Washer for screw (plain)	PWZ203	R116	4	4						
30	Washer for screw (spring)	LWZ203	R117	4	4						
31	Washer plate—wing lower fixing	AFH2546	R118	4	4						
32	Splash plate—rear wing R.H. front	AFH4782	R119	1	1						
33	Splash plate—rear wing L.H. front	AFH4783		1	1						
34	Seal—splash plate R.H. (rubber)	AFH4784	R120	1	1						
35	Seal—splash plate L.H. (rubber)	AFH4785		1	1						
36	Rivet—seal to plate	ERP906	R121	22	22						
37	Screw—lower plate fixing	PTZ604	R122	4	4						
38	Screw—plate to body	HZS0405	R123	4	4						
39	Washer for screw (plain)	PWZ204	R124	4	4						
40	Washer for screw (plain)	PWZ104	R125	4	4	12					
41	Washer for screw (spring)	LWZ204	R126	4	4	12					
42	Nut for screw	FNZ104	R127	4	4						
43	Splash plate assembly—rear wing R.H. rear	AFH1704	R128	1	1						
44	Splash plate assembly—rear wing L.H. rear	AFH1705		1	1						
45	Screw fixing rear splash plate	HZS0405	R129	8	8						
46	Washer for screw (plain)	PWZ204	R130	8	8						
47	Washer for screw (spring)	LWZ204	R131	8	8	12					

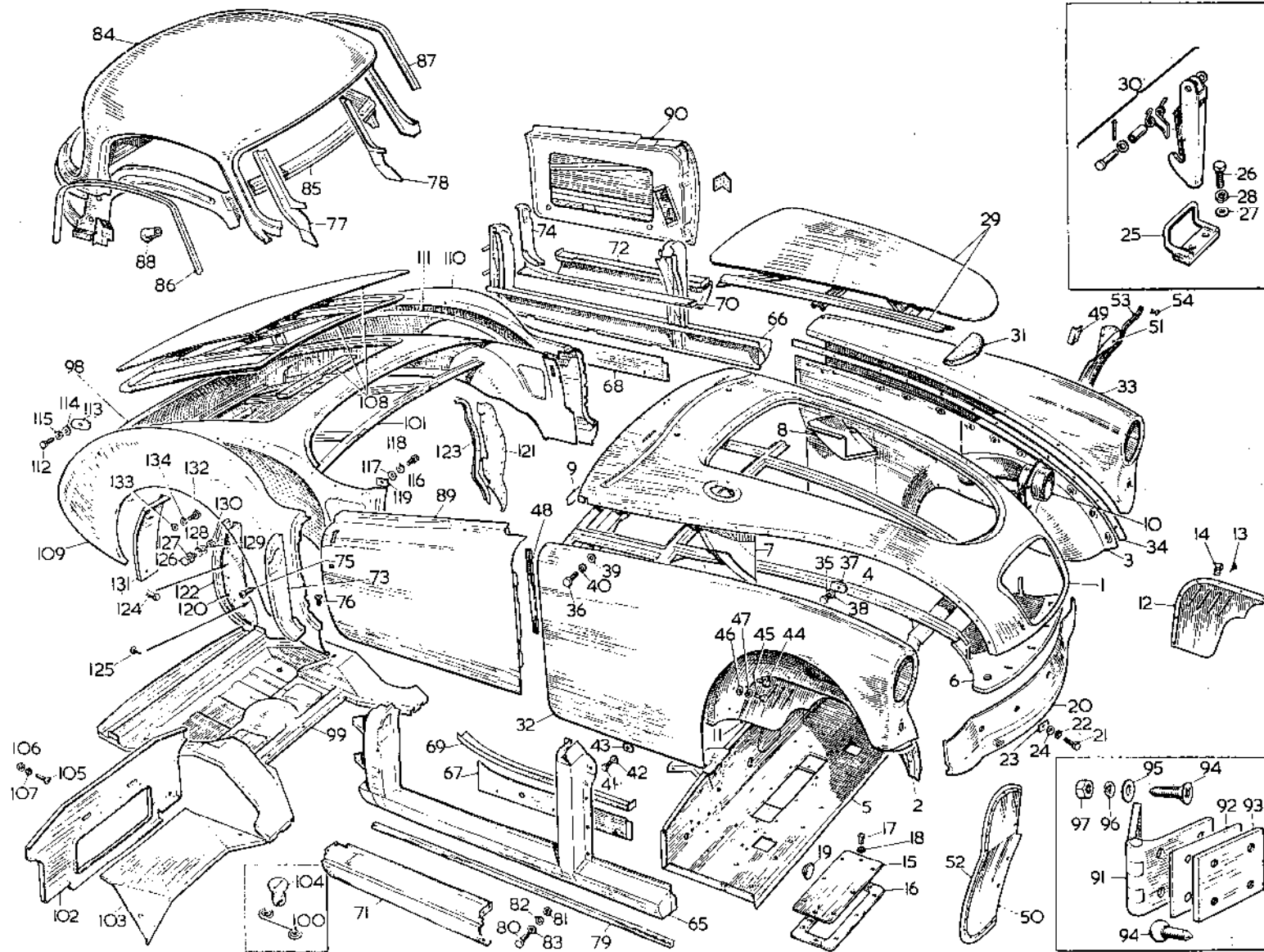
SERVICE PARTS LIST

THE M.G. Series MGA TWIN CAM

Item No.	DESCRIPTION	Commencing (C) 501		Qty. per Vehicle		Unit of Issue	Type of Vehicle	MODIFICATIONS			REMARKS
		Part Number	Illus. No.	RHD	LHD			New Part Number	Change Point	Amdt. No.	
	Body Shell—continued										
1	Shell—body	AFH6594		1	1						
2	Front end assembly	AFH4892		1	1						
3	Panel—bonnet surround	AFH3866	RA1	1	1			AFH5834	Com. (C) 594		
4	Front side assembly—R.H.	AFH5798	RA2	1	1			AFH5838] Com. (C) 594		
5	Front side assembly—L.H.	AFH5799	RA3	1	1			AFH5839			
6	Bonnet surround reinforcement	AFH3867	RA4	1	1						
7	Panel assembly—front bulkhead	AFH5472	RA5	1	1						
8	Panel—radiator duct	AFH4893	RA6	1	1						
9	Box assembly—R.H. air duct	AFH1502	RA7	1	1						
10	Box assembly—L.H. air duct	AFH1503	RA8	1	1						
11	Strip—front bulkhead packing	AFH1794	RA9	1	1						
12	Tube—air duct	AFH5792	RA10	2	2						
13	Panel—front wheel arch detachable—R.H.		RA11	1	1			AFH5844] Com. (C) 594		
14	Panel—front wheel arch detachable—L.H.		RA12	1	1			AFH5845			
15	Screw fixing panel		RA13	14	14			PJZ1003			
16	Nut for screw		RA14	14	14			PFS910			
17	Cover-plate—heater aperture	AHH5252	RA15	1	1						
18	Gasket—heater sealing	AHH5253	RA16	2	2						
19	Screw fixing cover-plate	PPZ0810	RA17	8	8						
20	Washer for screw (spring)	LWZ203	RA18	8	8						
21	Grommet—blanking valve control	4G2541	RA19	1	1						
22	Panel—front valance	AFH1896	RA20	1	1						
23	Screw fixing panel	AFH2587	RA21	14	14		Coupe				
24	Washer for screw (spring)	LWZ203	RA22	14	14						
25	Washer plate—valance to body	AFH2546	RA23	6	6						
26	Washer for screw (plain)	PWZ208	RA24	8	8						
27	Bracket—bonnet lock safety catch	AFH1767	RA25	1	1						
28	Screw fixing bracket	AFH2587	RA26	2	2						
29	Washer for screw (plain)	PWZ208	RA27	2	2						
30	Washer for screw (spring)	LWZ203	RA28	2	2						
31	Panel assembly—bonnet lid	AFH4880	RA29	1	1						
32	Safety catch assembly	14A306	RA30	1	1						
33	Batten—bonnet lid stiffening	AFH4879	RA31	1	1						
34	Wing assembly—front—R.H.	AFH4478	RA32	1	1			AFH6618] Com. (C) 2292		
35	Wing assembly—front—L.H.	AFH4479	RA33	1	1			AFH6619			
36	Piping—front wing	AFH1692	RA34	2	2						
37	Screw—front wing to body (1")	HPZ0508	RA35	21	21						
38	Screw—front wing to body (1 1/4")	HPZ0510	RA36	5	5						
39	Washer plate—front wing fixing	AFH2627	RA37	22	22						
40	Washer for screw—small (plain)	PWZ105	RA38	2	2						
41	Washer for screw—large (plain)	PWZ205	RA39	2	2						
42	Washer for screw (spring)	LWZ205	RA40	26	26	24					
43	Screw—front wing to sill	AFH2587	RA41	6	6						
44	Washer for screw (spring)	LWZ203	RA42	6	6						
45	Washer plate—wing lower fixing	AFH2546	RA43	6	6						



A3061



A3061

SERVICE PARTS LIST

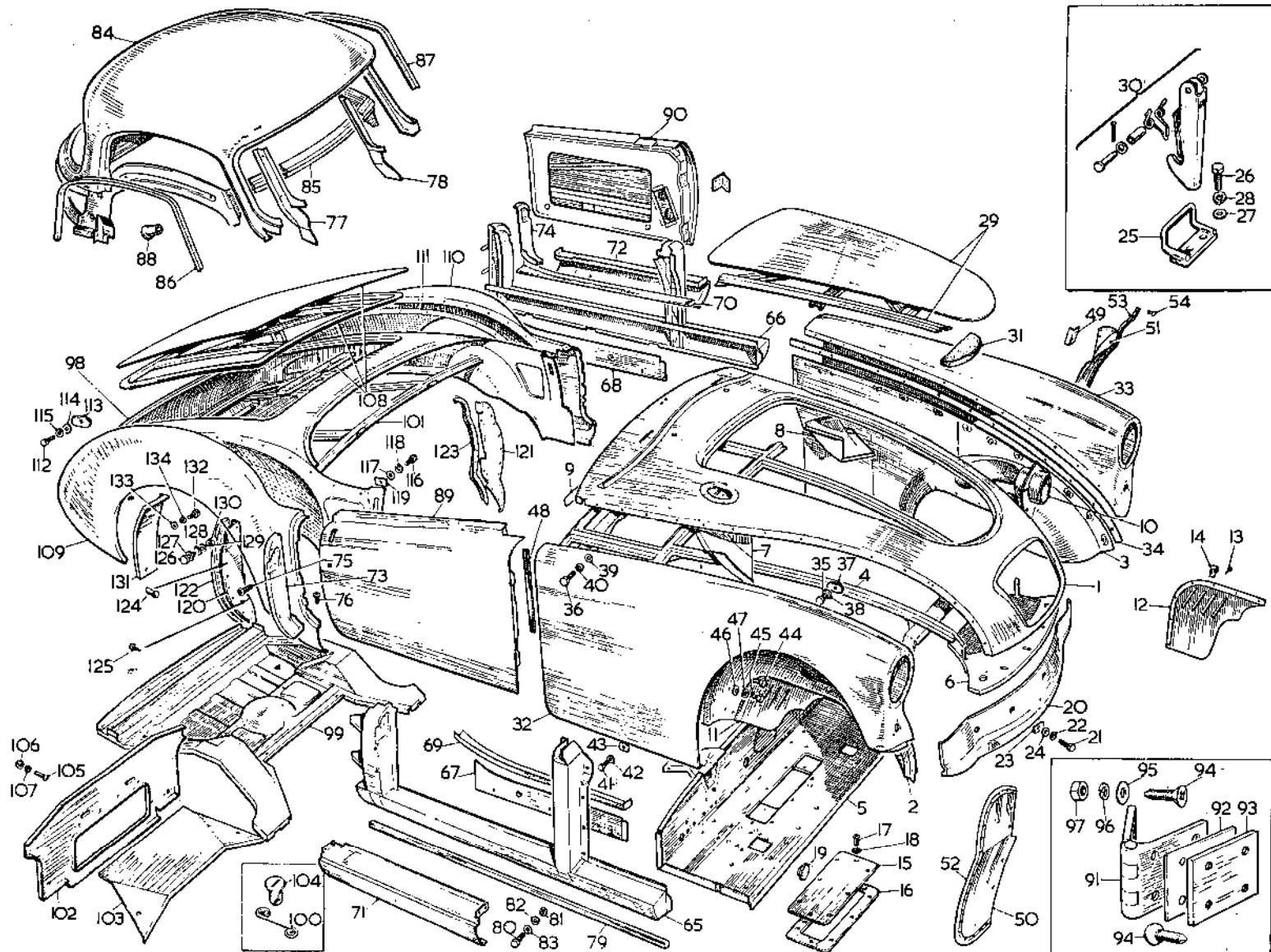
THE M.G. Series MGA TWIN CAM

Item No.	DESCRIPTION	Commencing (C) 501		Qty. per Vehicle		Unit of Issue	Type of Vehicle	MODIFICATIONS			REMARKS
		Part Number	Illus. No.	RHD	LHD			New Part Number	Change Point	Amdt. No.	
	Body Shell—continued										
1	Screw—wing closing plate to body	HPZ0408	RA44	2	2						
2	Screw—wing closing plate to body	HPZ0406	RA45	6	6						
3	Washer for screw (plain)	PWZ204	RA46	8	8						
4	Washer for screw (spring)	LWZ204	RA47	8	8	12					
5	Packing—front wing	AFH3840	RA48	2	2						
6	Bracket assembly—front wing splash plate	AFH1700	RA49	2	2						
7	Splash plate—R.H. front wing	AFH1702	RA50	1	1						
8	Splash plate—L.H. front wing	AFH1703	RA51	1	1						
9	Seal—R.H. front splash plate (rubber)	AFH1710	RA52	1	1						
10	Seal—L.H. front splash plate (rubber)	AFH1711	RA53	1	1						
11	Rivet—seal to plate	BRP906	RA54	34	34						
12	Screw—splash plate to body	HPZ0405		12	12						
13	Washer for screw (plain)	PWZ204		12	12						
14	Washer for screw (spring)	LWZ204		12	12	12					
15	Screw fixing front splash plate	HZS0405		4	4						
16	Washer for screw (plain)	PWZ204		4	4						
17	Washer for screw (spring)	LWZ204		4	4	12					
18	Washer plate—splash plate to wing	AFH2546		2	2						
19	Screw—splash plate to wing	AFH2587		2	2						
20	Nut for screw	FNZ103		2	2						
21	Washer for nut (spring)	LWZ208		2	2						
22	Sill reinforcement and pillar assembly—R.H.	AFH3882	RA65	1	1						
23	Sill reinforcement and pillar assembly—L.H.	AFH3883	RA66	1	1						
24	Shut pillar assembly—R.H.	AFH3780		1	1		Coupe				
25	Shut pillar assembly—L.H.	AFH3781		1	1						
26	Panel—sill inner—R.H.	AFH1656	RA67	1	1						
27	Panel—sill inner—L.H.	AFH1657	RA68	1	1						
28	Plate—sill sealing—R.H.	AFH1658	RA69	1	1						
29	Plate—sill sealing—L.H.	AFH1659	RA70	1	1						
30	Panel—sill outer—R.H.	AFH2624	RA71	1	1						
31	Panel—sill outer—L.H.	AFH2625	RA72	1	1						
32	Panel—shut pillar facing—R.H.	AFH3786	RA73	1	1						
33	Panel—shut pillar facing—L.H.	AFH3787	RA74	1	1						
34	Screw fixing facing panel (side)	RPZ0310	RA75	4	4						
35	Screw fixing facing panel (bottom)	RTZ804	RA76	4	4						
36	Pillar reinforcement—windscreen—R.H.	AFH4466	RA77	1	1						
37	Pillar reinforcement—windscreen—L.H.	AFH4467	RA78	1	1						
38	Finisher—sill lower	AFH3752	RA79	2	2						
39	Bolt fixing sill finisher (special)	AFH3753	RA80	10	10						
40	Nut for bolt	FNZ103	RA81	10	10						
41	Lock washer for nut	LWZ403	RA82	10	10						
42	Washer for nut (plain)	PWZ203	RA83	10	10						
43	Roof assembly	AFH4748		1	1						
44	Panel assembly—roof	AFH4464	RA84	1	1						
45	Reinforcement assembly—panel	AFH4465	RA85	1	1						
46	Dripway—door opening—R.H.	AFH4482	RA86	1	1						
47	Dripway—door opening—L.H.	AFH4483	RA87	1	1						
48	Rivet—dripway to roof panel	AFH5453	RA88	52	52						

SERVICE PARTS LIST

THE M.G. Series MGA TWIN CAM

Item No.	DESCRIPTION	Commencing (C) 501		Qty. per Vehicle		Unit of Issue	Type of Vehicle	MODIFICATIONS			REMARKS
		Part Number	Illus. No.	RHD	LHD			New Part Number	Change Point	Amdt. No.	
	Body Shell—continued										
1	Door assembly—R.H.	AFH4806	RA89	1							
2	Door assembly—L.H.	AFH4807	RA90	1							
3	Door assembly—R.H.	AFH3884			1						
4	Door assembly—L.H.	AFH3885			1						
5	Hinge—door	AFH5832	RA91	4	4						
6	Packing—door hinge	AFH5827	RA92	4	4						
7	Plate—tapping	AFH1464	RA93	4	4						
8	Screw fixing hinge	CPZ0412	RA94	32	32						
9	Washer for screw (plain)	PWZ204	RA95	16	16						
10	Washer for screw (spring)	LWZ204	RA96	16	16	12					
11	Nut for screw	FNZ104	RA97	16	16						
12	Tonneau assembly	AFH3878		1	1			AFH6650	Com. (C) 2292		
13	Tonneau sub-assembly	AFH3879		1	1						
14	Tonneau panel	AFH3881	RA98	1	1						
15	Floor assembly—trunk	AFH1874	RA99	1	1			AFH6651	Com. (C) 2292		
16	Dzus spring	7H9828	RA100	2	2						
17	Bracket assembly—spare wheel fixing			1	1			AFH6639] Com. (C) 2292		
18	Nut fixing bracket			2	2			FNZ104			
19	Washer for nut (plain)			2	2	12		PWZ104			
20	Washer for nut (spring)			2	2			LWZ104			
21	Reinforcement assembly—tonneau	AFH3880	RA101	1	1						
22	Panel assembly—rear bulkhead	AFH3820	RA102	1	1		Coupe	AFH6627	Com. (C) 2292		
23	Panel assembly—battery cover	AFH1663	RA103	1	1						
24	Dzus fastener	7H9827	RA104	2	2						
25	Screw fixing rear bulkhead panel	PMZ0308	RA105	2	2						
26	Nut for screw	FNZ103	RA106	2	2						
27	Washer for nut (spring)	LWZ203	RA107	2	2						
28	Lid assembly—trunk	AFH5474	RA108	1	1						
29	Wing assembly—rear—R.H.	AFH4480	RA109	1	1						
30	Wing assembly—rear—L.H.	AFH4481	RA110	1	1						
31	Piping—rear wing	AFH1693	RA111	2	2						
32	Screw—rear wing to body	HPZ0508	RA112	22	22						
33	Washer plate—rear wing fixing	AFH2627	RA113	20	20						
34	Washer for screw (plain)	PWZ205	RA114	2	2						
35	Washer for screw (spring)	LWZ205	RA115	22	22	12					
36	Screw—rear wing to sill	AFH2587	RA116	4	4						
37	Washer for screw (plain)	PWZ203	RA117	4	4						
38	Washer for screw (spring)	LWZ203	RA118	4	4						
39	Washer plate—wing lower fixing	AFH2546	RA119	4	4						
40	Splash plate—rear wing R.H. front	AFH4782	RA120	1	1						
41	Splash plate—rear wing L.H. front	AFH4783	RA121	1	1						
42	Seal—splash plate R.H. (rubber)	AFH4784	RA122	1	1						
43	Seal—splash plate L.H. (rubber)	AFH4785	RA123	1	1						
44	Rivet—seal to plate	BRP906	RA124	22	22						



A3061

SERVICE PARTS LIST

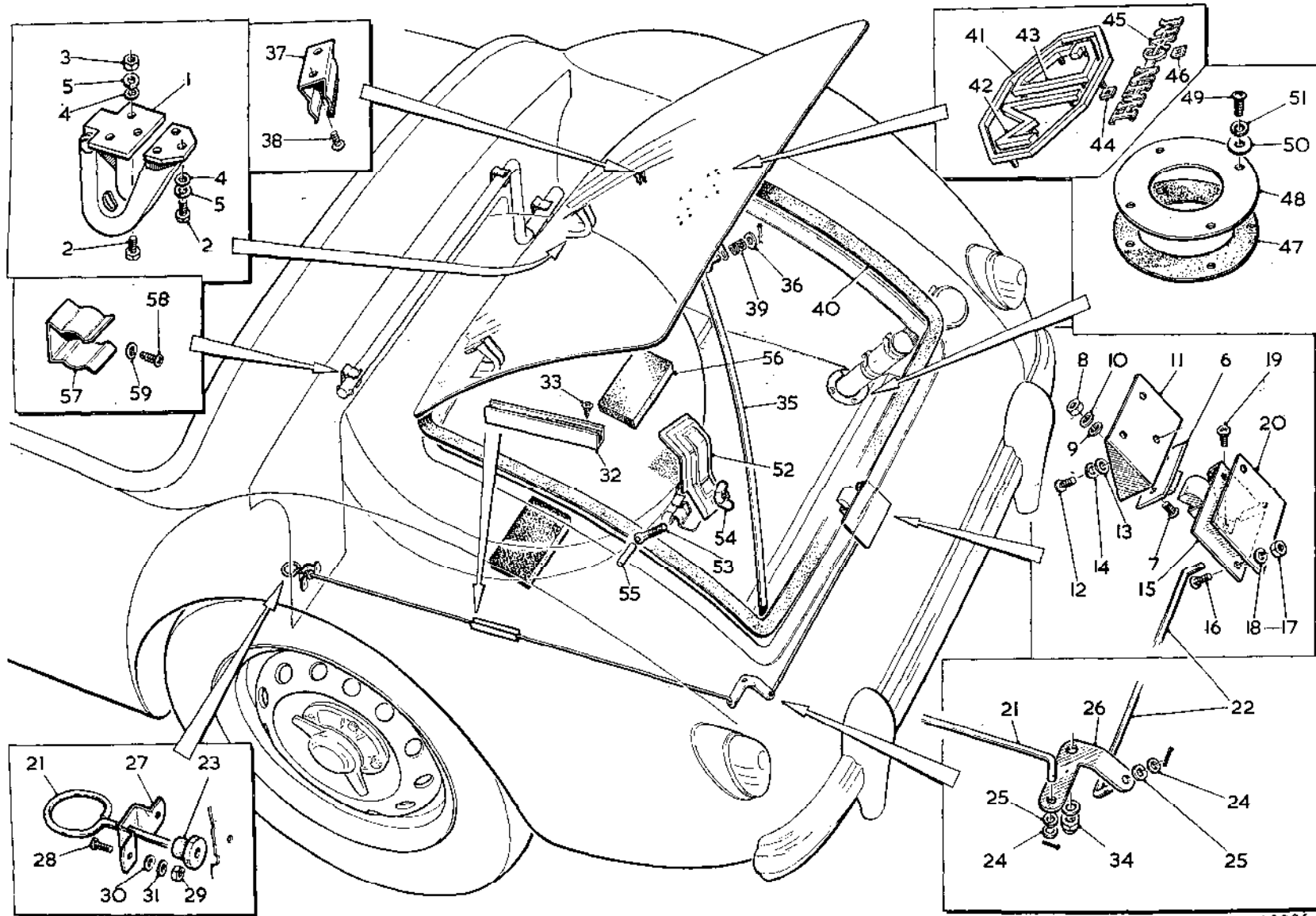
THE M.G. Series MGA TWIN CAM

Item No.	DESCRIPTION	Commencing (C) 501		Qty. per Vehicle		Unit of Issue	Type of Vehicle	MODIFICATIONS			REMARKS
		Part Number	Illus. No.	RHD	LHD			New Part Number	Change Point	Amdt. No.	
	Body Shell—continued										
7	Screw—lower plate fixing	PTZ604	RA125	4	4		Coupé				
8	Screw—plate to body	HZS0405	RA126	4	4						
9	Washer for screw (plain)	PWZ204	RA127	4	4						
10	Washer for screw (plain)	PWZ104	RA128	4	4	12					
11	Washer for screw (spring)	LWZ204	RA129	4	4	12					
	Nut for screw	FNZ104	RA130	4	4						
	Splash plate assembly—rear wing R.H. rear	AFH1704	RA131	1	1						
	Splash plate assembly—rear wing L.H. rear	AFH1705		1	1						
	Screw fixing rear splash plate	HZS0405	RA132	8	8						
	Washer for screw (plain)	PWZ204	RA133	8	8						
	Washer for screw (spring)	LWZ204	RA134	8	8	12					

SERVICE PARTS LIST

THE M.G. Series MGA TWIN CAM

Item No.	DESCRIPTION	Commencing (C) 501		Qty. per Vehicle		Unit of Issue	Type of Vehicle	MODIFICATIONS			REMARKS
		Part Number	Illus. No.	RHD	LHD			New Part Number	Change Point	Amdt. No.	
	FLOORING—RAMPS—PROPELLER SHAFT TUNNEL—GEARBOX COVER										
1	Toeboard—R.H.	AHH5817	RB1	1	1						
2	Screw—fixing toeboard—R.H. (1")	CPZ0416	RB2	5	5						
3	Screw—fixing toeboard—R.H. (1½")	CPZ0420	RB3	1	1						
4	Washer for screw (cup)	ACA5874	RB4	6	6						
5	Toeboard—L.H.	AHH5283	RB5	1	1						
6	Screw—fixing toeboard—L.H. (1")	CPZ0416	RB6	6	6						
7	Washer for screw (cup)	ACA5874	RB7	6	6						
8	Screw—blanking accelerator adjusting stop holes	CPZ0408	RB8	2							
9	Washer for screw (cup)	ACA5874	RB9	2							
10	Seal—toeboard—top (felt)	AHH5877	RB10	2	2						
11	Seal—toeboard support (felt)	AHH5878	RB11	2	2						
12	Seal—toeboard support plate (felt)	AHH5879	RB12	2	2						
13	Floorboard—front—R.H.	AHH5208	RB13	1	1						
14	Floorboard—front—L.H.	AHH5209	RB14	1	1						
15	Screw—fixing floorboard (front)	CPZ0416	RB15	16	16						
16	Washer for screw (cup)	ACA5874	RB16	16	16						
17	Floorboard—R.H.	AHH5205	RB17	1	1						
18	Floorboard—L.H.	AHH5206	RB18	1	1						
19	Screw—fixing floorboard (rear)	CPZ0416	RB19	25	25						
20	Washer for screw (cup)	ACA5874	RB20	25	25						
21	Floorboard—R.H.	AHH5748		1	1						
22	Floorboard—L.H.	AHH5749		1	1						
23	Screw fixing floorboard	CMZ0420		16	16						For use with De-luxe type bucket seats
24	Ramp (rear)	AHH5207	RB21	1	1						
25	Screw fixing rear ramp	CPZ0416	RB22	12	12						
26	Washer for screw (cup)	ACA5874	RB23	12	12						
27	Seal—rear ramp centre (rubber)	AHH5455	RB24	1	1						
28	Seal—rear ramp outer (rubber)	AHH5456	RB25	2	2						
29	Cover assembly—gearbox	AHH5815	RB26	1	1						
30	Screw—gearbox cover to toeboard plate	CPZ0412	RB27	2	2						
31	Washer for screw (cup)	ACA5874	RB28	2	2						
32	Seal—gearbox cover (rubber)	AHH5194	RB29	2	2						
33	Grommet—dipstick	ACA5800	RB30	1	1						
34	Seal—cover to tunnel (felt)	AHH5840	RB31	1	1						
35	Plate—gearbox cover cross-brace	AHH5226	RB32	2	2						
36	Tunnel—propeller shaft	AHH5199	RB33	1	1						
37	Seal—propeller shaft tunnel—rear (felt)	AHH5200	RB34	1	1						
38	Packing—rear floor (boot)	AHH5180	RB35	3	3						
39	Screw—carpet fixing (front and centre)	94605	RB36	12	12						
40	Screw—carpet fixing (toeboard)	188599	RB37	4	4						
41	Nut for screw	AJD8012Z	RB38	4	4						
42	Washer for nut (spring)	LWZ208	RB39	4	4						
43	Cover—starter motor (rubber)	AHH5838	RB40	1	1						



A2986

SERVICE PARTS LIST

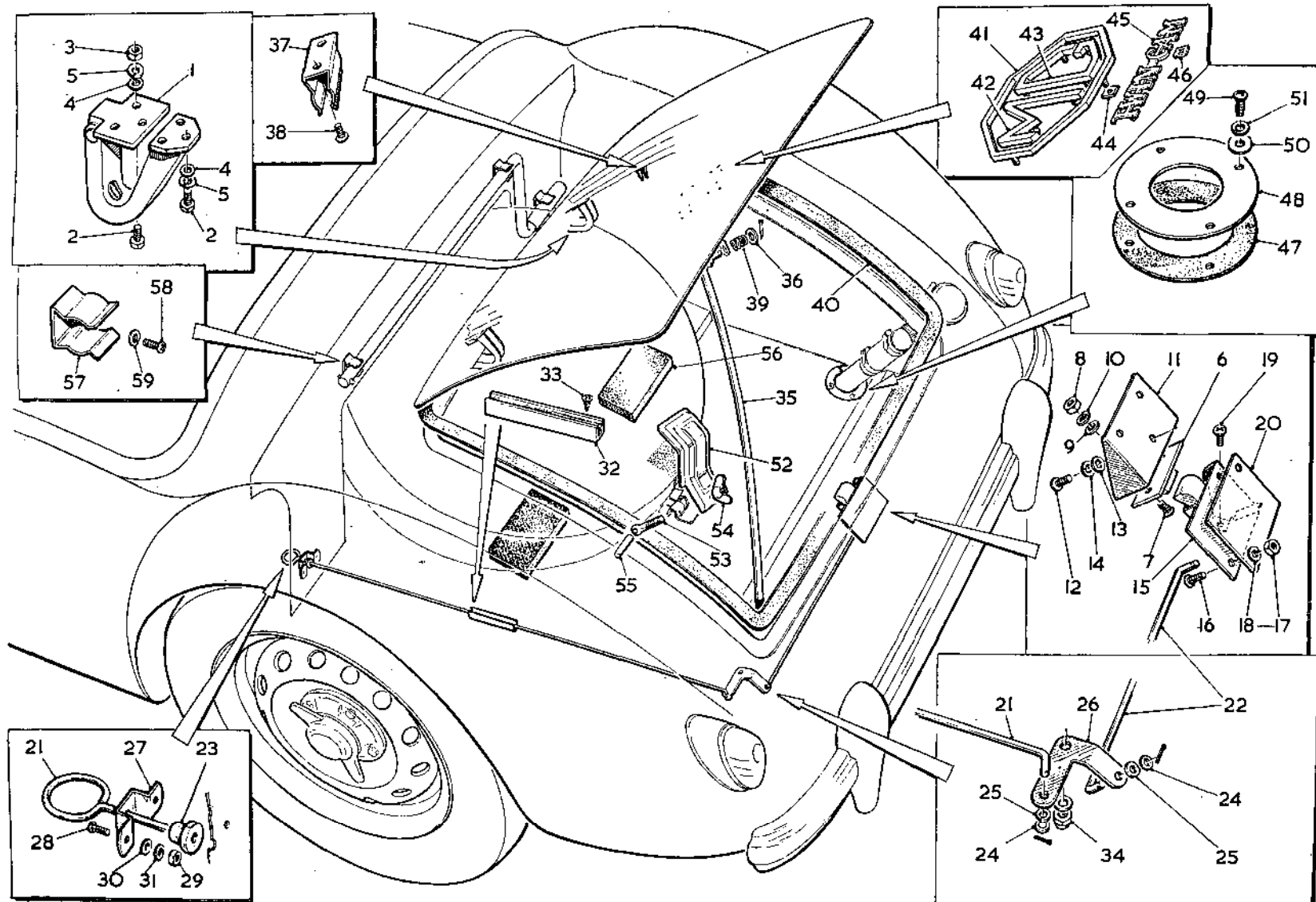
THE M.G. Series MGA TWIN CAM

Item No.	DESCRIPTION	Commencing (C) 501		Qty. per Vehicle		Unit of Issue	Type of Vehicle	MODIFICATIONS			REMARKS
		Part Number	Illus. No.	RHD	LHD			New Part Number	Change Point	Amdt. No.	
	BOOT LID FITTINGS										
1	Hinge—boot lid—R.H.	AFH1515	RC1	1	1						
2	Hinge—boot lid—L.H.	AFH1514		1	1						
3	Screw fixing hinge	AFH2587	RC2	12	12						
4	Nut for screw	FNZ103	RC3	2	2						
5	Washer for screw (plain)	PWZ203	RC4	12	12						
6	Washer for screw (spring)	LWZ203	RC5	12	12						
7	Plate—boot lid striking	AFH1516	RC6	1	1						
8	Screw—fixing plate	CMZ0310	RC7	2	2						
9	Nut for screw	FNZ103	RC8	2	2						
10	Washer for nut (plain)	PWZ203	RC9	2	2						
11	Washer for nut (spring)	LWZ203	RC10	2	2						
12	Bracket—striking plate	AFH1578	RC11	1	1						
13	Screw fixing bracket	AFH2587	RC12	3	3						
14	Washer for screw (plain)	PWZ203	RC13	3	3						
15	Washer for screw (spring)	LWZ203	RC14	3	3						
16	Lock assembly—boot lid	AFH1519	RC15	1	1						
17	Screw fixing lock	PMZ0308	RC16	2	2						
18	Nut for screw	FNZ103	RC17	2	2						
19	Washer for nut (spring)	LWZ203	RC18	2	2						
20	Screw fixing lock	PTZ603	RC19	1	1						
21	Packing—lock support bracket	AFH2622	RC20	1	1						
22	Rod—boot lock release (front)	AFH1758	RC21	1	1						
23	Rod—boot lock release (rear)	AFH1759	RC22	1	1						
24	Grommet for release rod	I33221	RC23	1	1						
25	Washer for release rod (plain)	PWZ203	RC24	3	3						
26	Washer for release rod (spring)	128900	RC25	3	3						
27	Lever—boot lock actuating	AFH1747	RC26	1	1						
28	Plate—release rod guide	I33222	RC27	1	1						
29	Screw fixing guide plate	PMZ0208	RC28	2	2						
30	Nut for screw	CNZ102	RC29	2	2						
31	Washer for nut (plain)	PWZ202	RC30	2	2						
32	Washer for nut (spring)	LWZ202	RC31	2	2						
33	Channel—release rod retaining	AFH1789	RC32	1	1						
34	Screw fixing channel	CTZ403	RC33	2	2						
35	Nut—actuating lever pivot	AFH1756	RC34	1	1						
36	Rod—boot lid support	LNZ104	RC35	1	1						
37	Washer for support rod (plain)	PWZ105	RC36	1	1						
38	Clip—boot lid support rod	128978	RC37	1	1						
39	Screw fixing clip	PTZ603	RC38	1	1						
40	Spring—boot lid support rod	I39282	RC39	1	1						
41	Rubber—boot lid sealing	AFH1753	RC40	1	1						

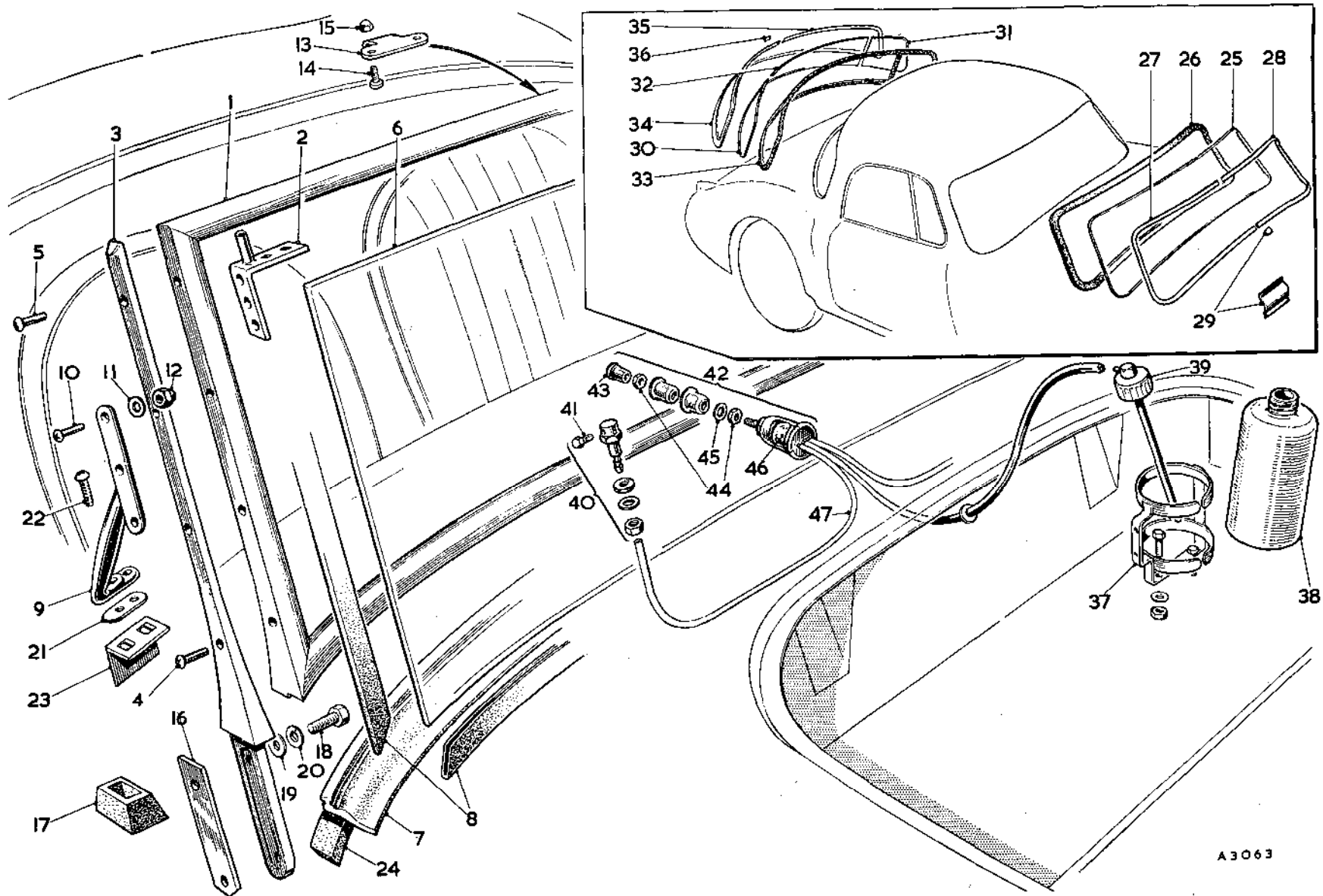
SERVICE PARTS LIST

THE M.G. Series MGA TWIN CAM

Item No.	DESCRIPTION	Commencing (C) 501		Qty. per Vehicle		Unit of Issue	Type of Vehicle	MODIFICATIONS			REMARKS
		Part Number	Illus. No.	RHD	LHD			New Part Number	Change Point	Amdt. No.	
	Boot Lid Fittings—continued										
1	Surround—boot lid badge	AHH5261	RC41	1	1						
2	Letter 'M'	ADH2475	RC42	1	1						
3	Letter 'G'	ADH2476	RC43	1	1						
4	Spire nut—surround and badge	PFS103	RC44	13	13						
5	Motif—"Twin Cam"	AHH5729	RC45	1	1						
6	Spire nut for motif	PFS104	RC46	2	2						
7	Seal—petrol filler	AHH5260	RC47	1	1						
8	Plate—petrol filler seal cover	AHH5259	RC48	1	1						
9	Screw fixing seal and plate	PMZ0808	RC49	3	3						
10	Washer for screw (special)	AJD7212	RC50	3	3						
11	Washer for screw (spring)	LWZ203	RC51	3	3						
12	Clamp—spare wheel	H7336	RC52	1	1						
13	Bolt for spare wheel clamp	AHH5349	RC53	1	1						
14	Nut for bolt—wing	AHH5351	RC54	1	1						
15	Pin—spare wheel fixing cross	AHH5350	RC55	1	1						
16	Packing—spare wheel (felt)	AHH5459	RC56	2	2						
17	Clip—starting-handle	5843	RC57	3	3						
18	Screw fixing clip	PPZ0305	RC58	3	3						
19	Washer for screw (spring)	LWZ203	RC59	3	3						



A2986

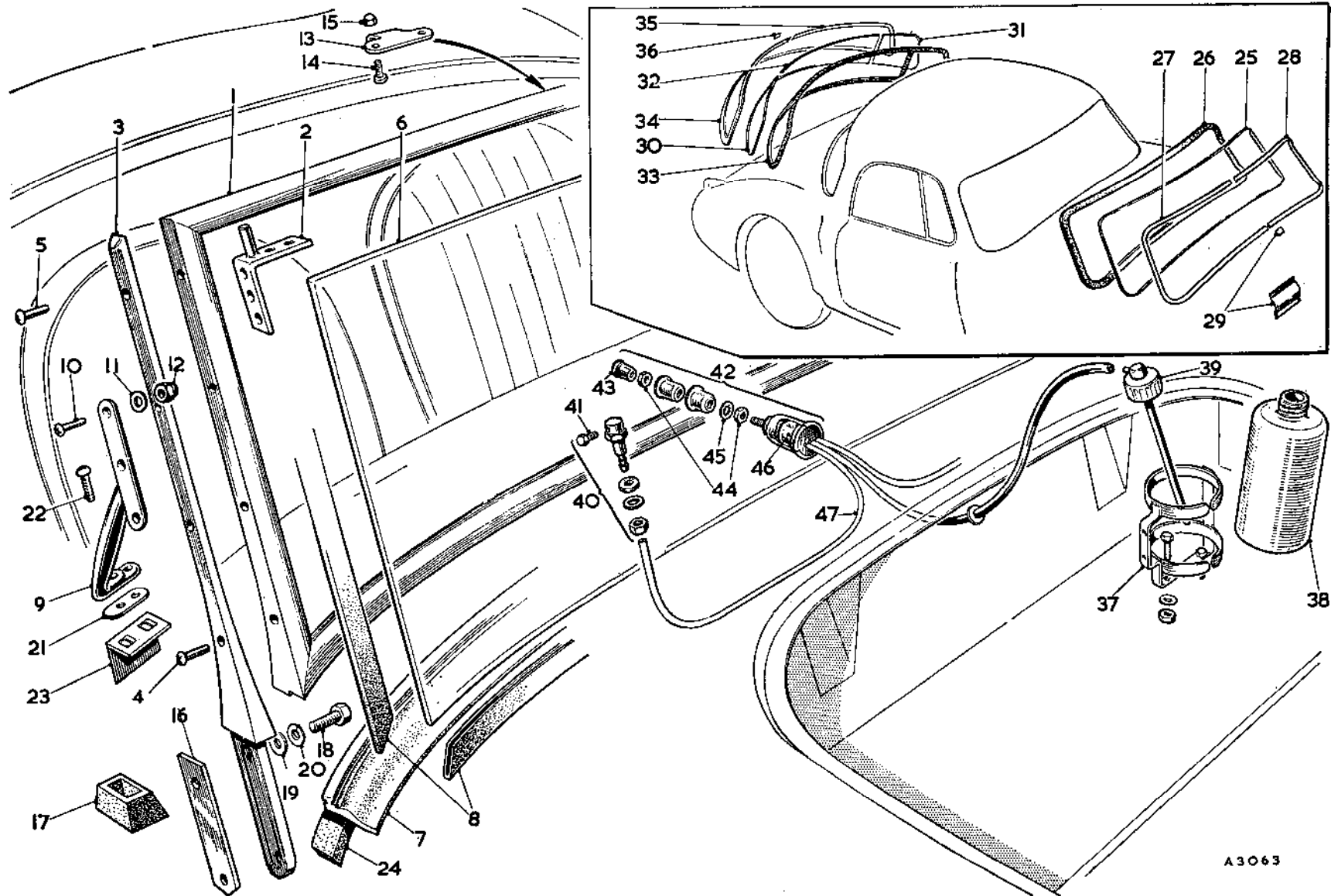


A3063

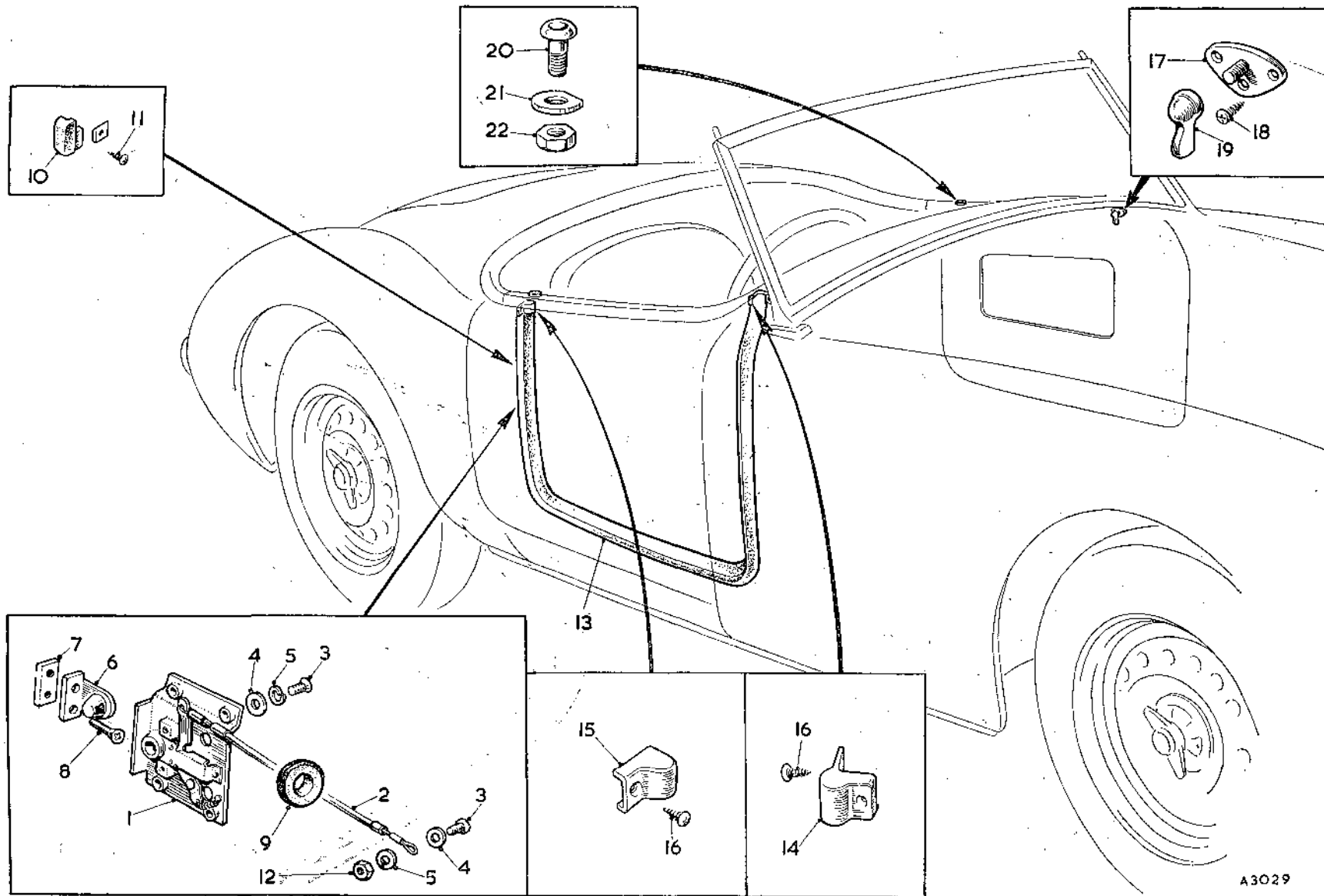
SERVICE PARTS LIST

THE M.G. Series MGA TWIN CAM

Item No.	DESCRIPTION	Commencing (C) 501		Qty. per Vehicle		Unit of Issue	Type of Vehicle	MODIFICATIONS			REMARKS
		Part Number	Illus. No.	RHD	LHD			New Part Number	Change Point	Amdt. No.	
	WINDSCREEN WASHER (Optional Extra)										
1	Windscreen washer kit	AHH5798		1	1						
2	Bracket	7H9781	RD37	1	1						
3	Container (20 oz.)	7H9779	RD38	1	1						
4	Cap assembly	7H9785	RD39	1	1						Small cap
5	Container (20 oz.)	13H227		1	1						Large cap
6	Cap assembly	37H9716		1	1						
7	Jet mounting assembly	27H9622	RD40	2	2						
8	Jet	27H9623	RD41	2	2						
9	Control assembly	27H9654	RD42	1	1						
10	Knob	27H9625	RD43	1	1						
11	Back nut	27H9655	RD44	2	2						
12	Washer (shakeproof)	7H9782	RD45	1	1						
13	Bulb (rubber)	27H9626	RD46	1	1						
14	Tubing	37H9708	RD47	A/R	A/R	50'					



A3063



SERVICE PARTS LIST

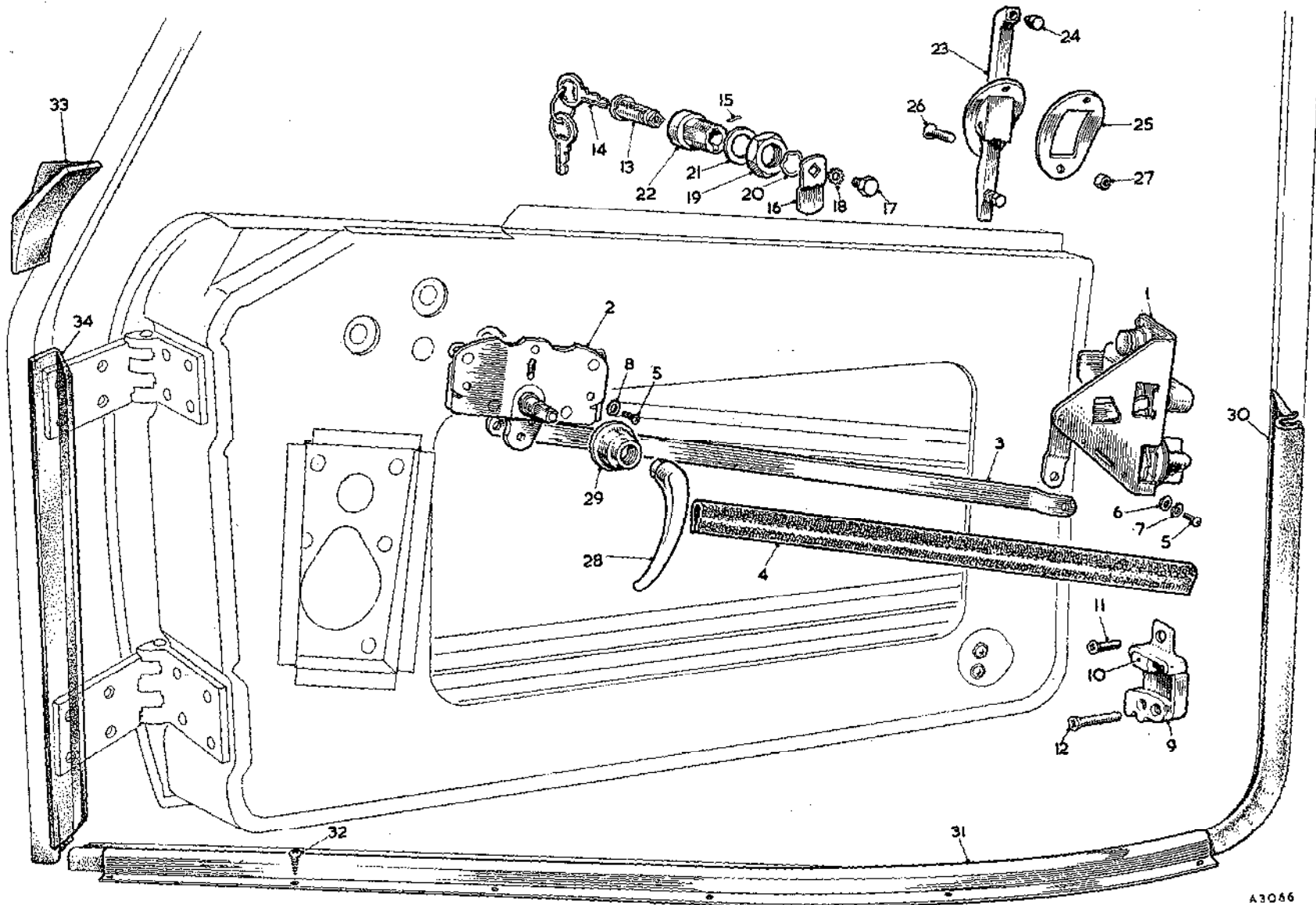
THE M.G. Series MGA TWIN CAM

Item No.	DESCRIPTION	Commencing (C) 501		Qty. per Vehicle		Unit of Issue	Type of Vehicle	MODIFICATIONS			REMARKS
		Part Number	Illus. No.	RHD	LHD			Now Part Number	Change Point	Amdt. No.	
	DOOR FITTINGS										
1	Lock assembly—door—R.H.	AFH1682	RE1	1	1						
2	Lock assembly—door—L.H.	AFH1683		1	1						
3	Cable—operating	7H9958	RE2	2	2						
4	Screw fixing lock	PPZ0808	RE3	10	10						
5	Washer for screw (plain)	PWZ203	RE4	10	10						
6	Washer for screw (spring)	LWZ203	RE5	10	10						
7	Plate—striking	AFH1684	RE6	2	2						
8	Plate—striker tapping	AFH1685	RE7	2	2						
9	Screw fixing striker	CPZ0412	RE8	4	4						
10	Grommet—door lock release (rubber)	RFN110	RE9	2	2						
11	Buffer assembly—door	MB19556	RE10	4	4						
12	Screw fixing buffer	AJD2243ZP	RE11	4	4						
13	Nut for door lock cable	FNZ108	RE12	2	2						
14	Rubber and clip assembly—door sealing (Red)	AFH2451	RE13	2	2		Fourer				
15	Rubber and clip assembly—door sealing (Black)	AFH2455		2	2						
16	Rubber and clip assembly—door sealing (Green)	AFH2452		2	2						
17	Rubber and clip assembly—door sealing (Grey)	AFH2453		2	2				Fin. (C) 2192		
18	Finisher—hinge pillar—door seal—R.H.	AFH2574	RE14	1	1						
19	Finisher—hinge pillar—door seal—L.H.	AFH2575		1	1						
20	Finisher—shut pillar—door seal—R.H.	AFH2576	RE15	1	1						
21	Finisher—shut pillar—door seal—L.H.	AFH2577		1	1						
22	Screw fixing finisher	RTP605	RE16	8	8						
23	Stud fixing sidescreen	MB321959	RE17	2	2						
24	Screw fixing sidescreen stud	RTP805	RE18	6	6						
25	Handle—sidescreen locking	MB19831	RE19	2	2						
26	Knob—sidescreen locking (knurled)			2	2				AFH6620	Fin. (C) 2192 Com. (C) 2193	
27	Socket—sidescreen peg	AFH1744	RE20	2	2						
28	Washer for sidescreen peg socket (special)	AFH2579	RE21	2	2						
29	Nut for sidescreen peg socket	FNZ208	RE22	2	2						

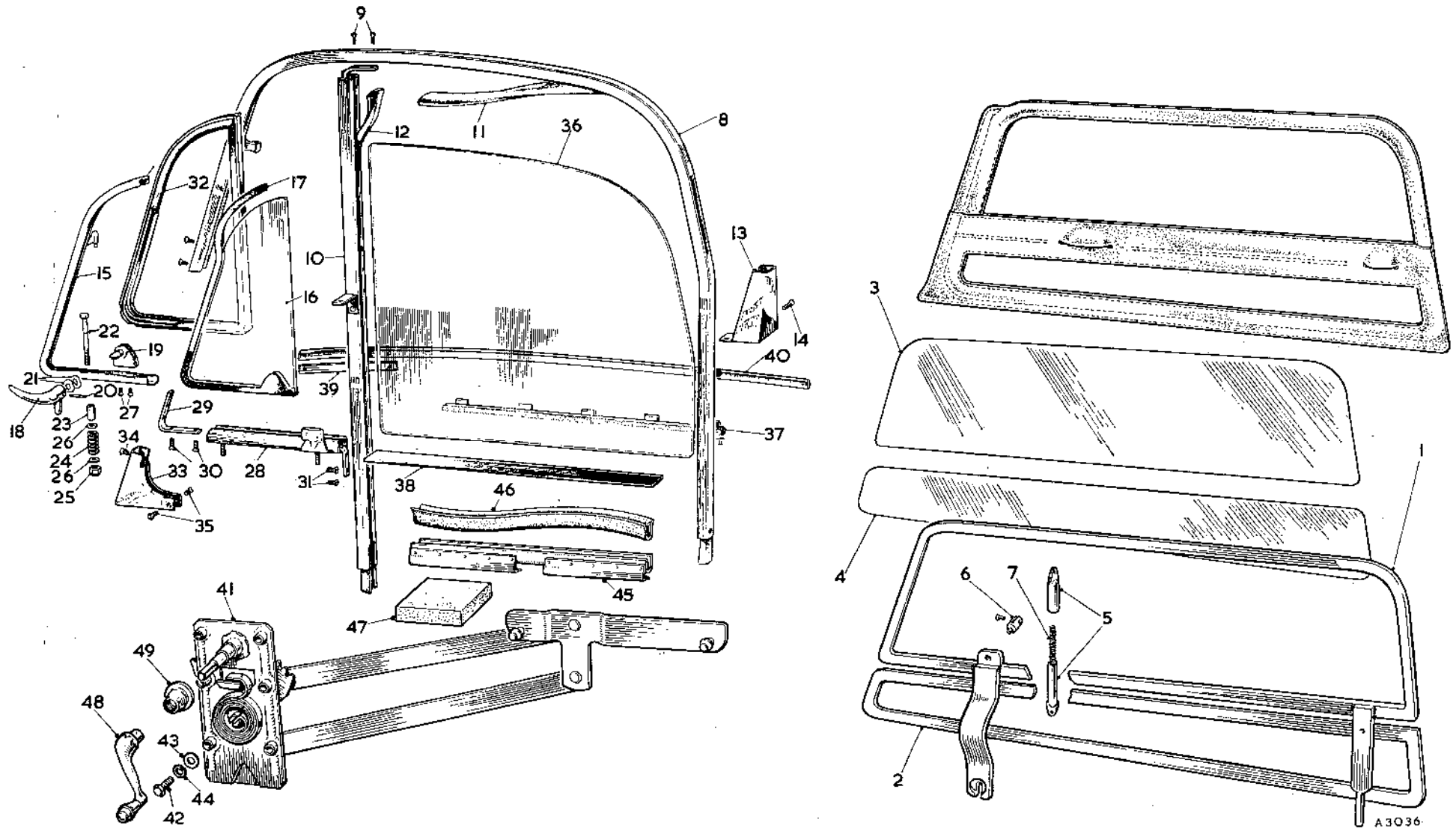
SERVICE PARTS LIST

THE M.G. Series MGA TWIN CAM

Item No.	DESCRIPTION	Commencing (C) 501		Qty. per Vehicle		Unit of Issue	Type of Vehicle	MODIFICATIONS			REMARKS
		Part Number	Illus. No.	RHD	LHD			New Part Number	Change Point	Amdt. No.	
	Door Fittings—continued										
1	Lock assembly—door—R.H.	AFH3894		1	1		Coupé				
2	Lock assembly—door—L.H.	AFH3895		1	1						
3	Lock—R.H.	17H9736	RF1	1	1						
4	Lock—L.H.	17H9737		1	1						
5	Remote control mechanism—R.H.	17H9738	RF2	1	1						
6	Remote control mechanism—L.H.	17H9739		1	1						
7	Link—connecting	17H9740	RF3	2	2						
8	Sleeve—anti-rattle	17H9735	RF4	2	2						
9	Screw fixing lock	PPZ0306	RF5	14	14						
10	Washer for screw (plain)	PWZ203	RF6	6	6						
11	Washer for screw (spring)	LWZ203	RF7	6	6						
12	Washer for screw (shakeproof)	AJD7623	RF8	8	8						
13	Plate—striker—R.H.	AFH3896	RF9	1	1						
14	Plate—striker—L.H.	AFH3897		1	1						
15	Plate—striker tapping	AFH3792	RF10	2	2						
16	Screw fixing striker (3/8")	CPZ0412	RF11	2	2						
17	Screw fixing striker (1 1/4")	CPZ0420	RF12	4	4						
18	Lock assembly—private	AFH3893		1	1						
19	Lock with keys (cylinder)	17H9745	RF13	1	1						
20	Key	ANK4646	RF14	2	2						
21	Peg—retaining	17H9930	RF15	1	1						
22	Latch	17H9744	RF16	1	1						
23	Bolt—latch	AKC453	RF17	1	1						
24	Washer for bolt	17H9741	RF18	1	1						
25	Locknut	AKC455	RF19	1	1						
26	Washer (waved)	AKC454	RF20	1	1						
27	Washer—seating	AKC451	RF21	1	1						
28	Housing—lock	AKC458	RF22	1	1						
29	Handle—door	AFH3796	RF23	2	2						
30	Insert—door handle (rubber)	17H9989	RF24	2	2						
31	Washer—seating	AFH4513	RF25	2	2						
32	Screw fixing handle	RMP0308	RF26	4	4						
33	Nut for screw	LNZ203	RF27	4	4						
34	Handle—remote control	ADH5482	RF28	2	2						
35	Escutcheon assembly—handle	ADB709	RF29	2	2						
36	Rubber and clip assembly—door sealing (Red)	AFH4562	RF30	2	2						
37	Rubber and clip assembly—door sealing (Black)	AFH4565		2	2						
38	Rubber and clip assembly—door sealing (Green)	AFH4563		2	2						
39	Rubber and clip assembly—door sealing (Grey)	AFH4564		2	2						Fin. (C) 2291
40	Retainer—door sealing rubber—R.H.	AFH2722	RF31	1	1						
41	Retainer—door sealing rubber—L.H.	AFH2723		1	1						
42	Screw fixing retainer	AJD8172	RF32	12	12						
43	Pad—sealing—'A' post—R.H.	AFH4822	RF33	1	1						
44	Pad—sealing—'A' post—L.H.	AFH4823		1	1						
45	Sealing rubber—door hinge pillar	AFH4819	RF34	2	2						



A3046



A3036

SERVICE PARTS LIST

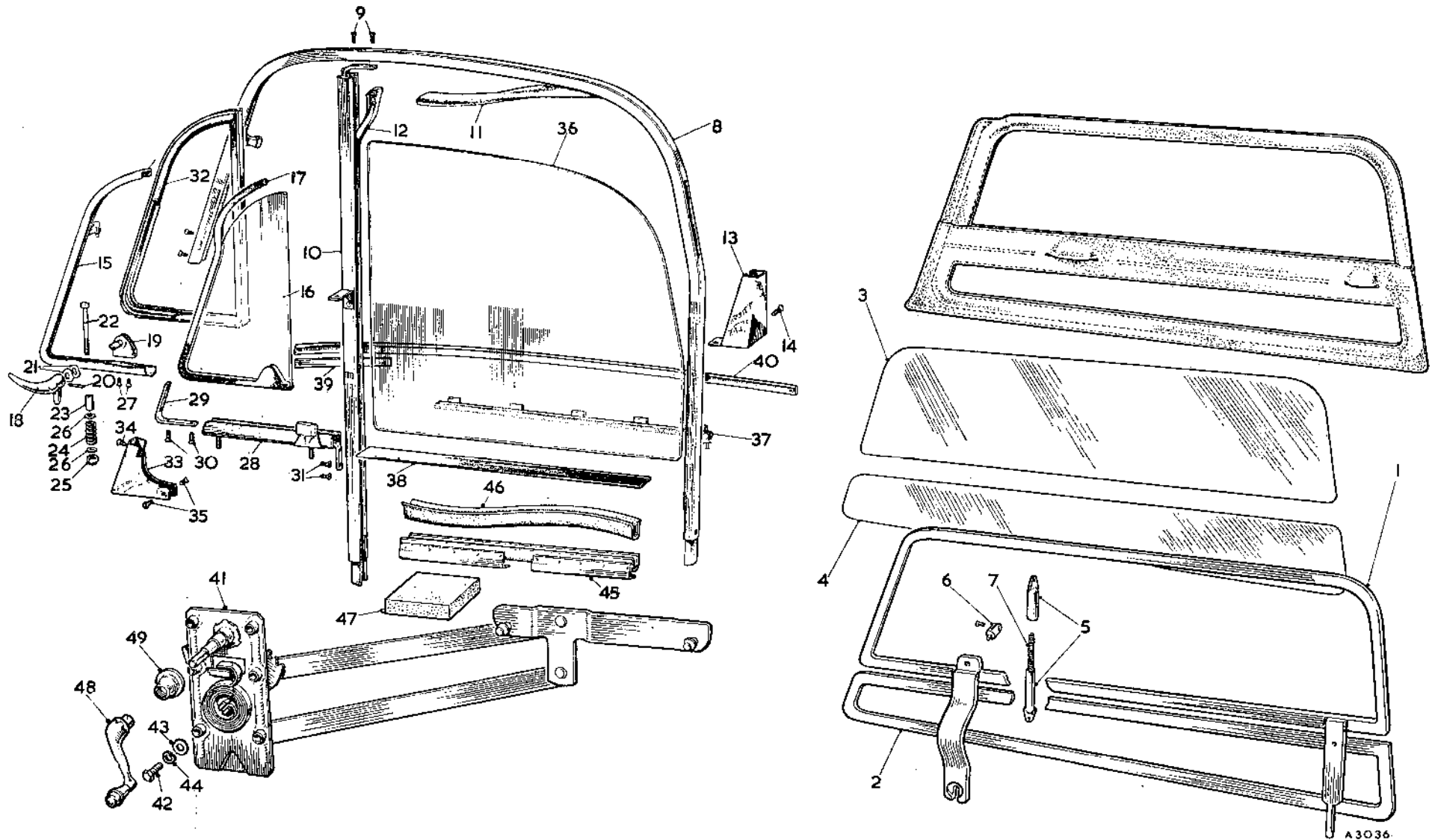
THE M.G. Series MGA TWIN CAM

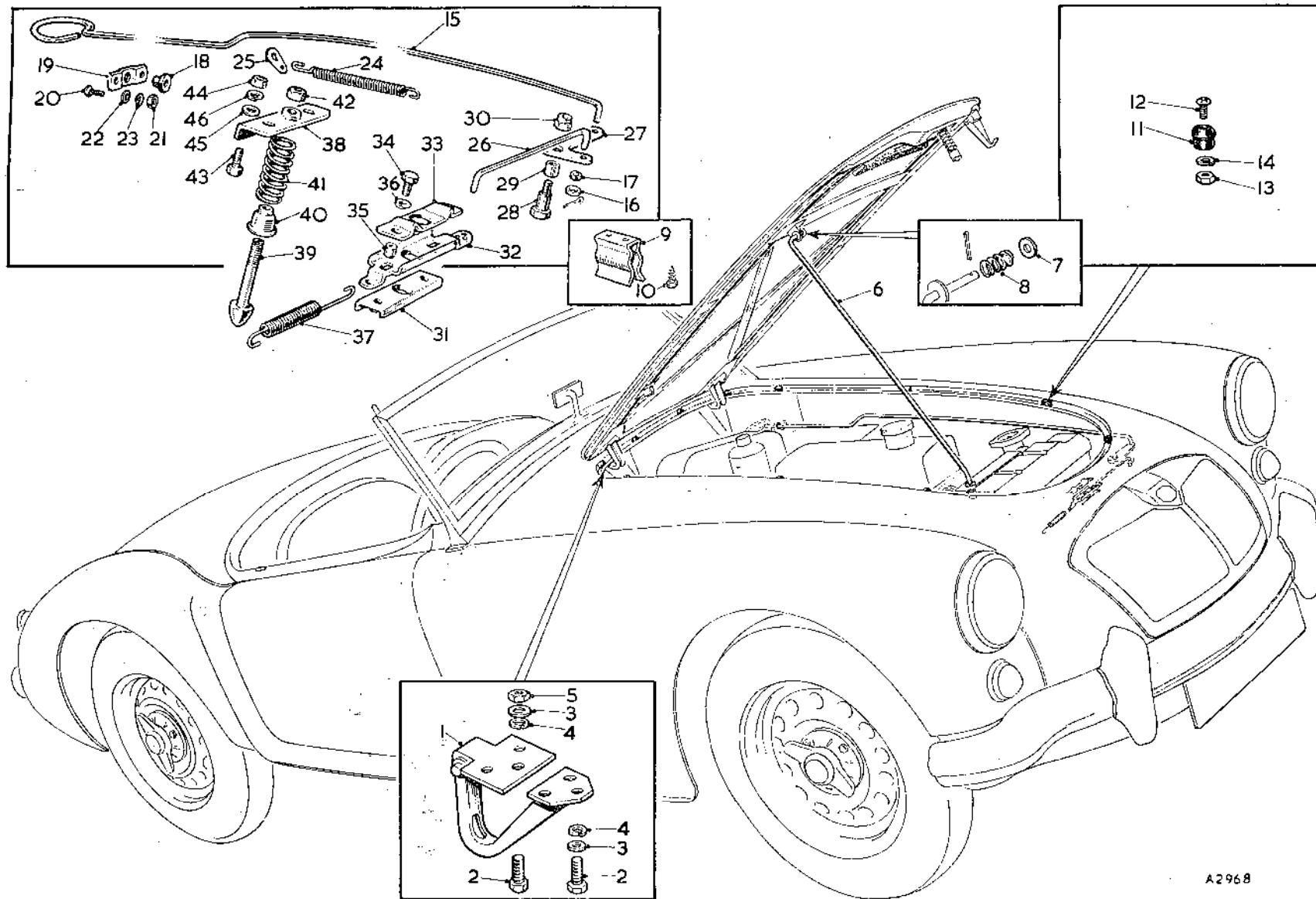
Item No.	DESCRIPTION	Commencing (C) 501		Qty. per Vehicle		Unit of Issue	Type of Vehicle	MODIFICATIONS			REMARKS	
		Part Number	Illus. No.	RHD	LHD			New Part Number	Change Point	Amdt. No.		
	WINDOWS											
1	Sidescreen assembly—R.H. (Black)	AKE1764		1	1		Tourer					
2	Sidescreen assembly—R.H. (Ice Blue)	AKE1765		1	1							
3	Sidescreen assembly—L.H. (Black)	AKE1766		1	1							
4	Sidescreen assembly—L.H. (Ice Blue)	AKE1767		1	1							
5	Frame assembly—R.H.	AFH2660	RG1	1	1							
6	Frame assembly—L.H.	AFH2661		1	1				Fin. (C) 2192			
7	Frame—signalling flap	AFH2662	RG2	2	2							
8	Panel—sidescreen	AFH2663	RG3	2	2							
9	Panel—signalling flap	AFH2664	RG4	2	2							
10	Closing device—flap	AFH2666	RG5	2	2							
11	Fork end	AFH2677	RG6	1	1							
12	Spring	AFH2680	RG7	1	1							
13	Sidescreen assembly—R.H. (Grey)			1	1							
14	Sidescreen assembly—R.H. (Beige)			1	1							
15	Sidescreen assembly—R.H. (Blue)			1	1							
16	Sidescreen assembly—L.H. (Grey)			1	1							
17	Sidescreen assembly—L.H. (Beige)			1	1							
18	Sidescreen assembly—L.H. (Blue)			1	1							
19	Sleeve—sidescreen front clip (rubber)			2	2							
20	Frame and ventilator assembly—R.H.	AFH3802		1	1							
21	Frame and ventilator assembly—L.H.	AFH3803		1	1							
22	Channel assembly—R.H.—surround	AFH4858	RG8	1	1							
23	Channel assembly—L.H.—surround	AFH4859		1	1							
24	Screw fixing channel	RMP0204	RG9	4	4							
25	Channel assembly—R.H.—vertical	AFH4860	RG10	1	1							
26	Channel assembly—L.H.—vertical	AFH4861		1	1							
27	Strip—surround channel (felt)	AFH4862	RG11	2	2							
28	Strip—surround channel (felt)	AFH4863	RG12	2	2							
29	Blending piece—rear—R.H.	AFH4864	RG13	1	1							
30	Blending piece—rear—L.H.	AFH4865		1	1							
31	Screw fixing blending piece	17H9935	RG14	2	2							
32	Ventilator assembly—R.H.	AFH4848		1	1							
33	Ventilator assembly—L.H.	AFH4849		1	1							
34	Frame assembly—R.H.	AFH4872	RG15	1	1		Coupe					
35	Frame assembly—L.H.	AFH4873		1	1							
36	Glass	AFH4847	RG16	2	2							
37	Strip—glazing	AFH4874	RG17	2	2							
38	Handle—locking—R.H.	AFH6532	RG18	1	1							
39	Handle—locking—L.H.	AFH6533		1	1							
40	Bracket for locking handle	AFH6531	RG19	2	2							
41	Pin—locking handle	AFH6534	RG20	2	2							
42	Washer—locking handle (waved)	AFH4875	RG21	4	4							
43	Bolt—vent pivot	AFH4876	RG22	2	2							
44	Sleeve—bolt	AFH4877	RG23	2	2							
45	Spring—bolt	AFH4878	RG24	2	2							
46	Nut for bolt	LNZ204	RG25	2	2							
47	Washer for nut (plain)	PWZ204	RG26	4	4							
48	Screw fixing bracket	CMP0204	RG27	4	4							

SERVICE PARTS LIST

THE M.G. Series MGA TWIN CAM

Item No.	DESCRIPTION	Commencing (C) 501		Qty. per Vehicle		Unit of Issue	Type of Vehicle	MODIFICATIONS			REMARKS
		Part Number	Illus. No.	RHD	LHD			New Part Number	Change Point	Amdt. No.	
	Windows—continued										
1	Channel assembly—R.H. (bottom)	AFH4866	RG28	1	1		Coupé				
2	Channel assembly—L.H. (bottom)	AFH4867		1	1						
3	Bracket—corner (front)	AFH4868	RG29	2	2						
4	Screw fixing bracket (front)	CMZ0204	RG30	8	8						
5	Screw fixing bracket (rear)	CMZ0204	RG31	4	4						
6	Rubber surround—R.H.	AFH4870	RG32	1	1						
7	Rubber surround—L.H.	AFH4871		1	1						
8	Blending piece (front)	AFH4869	RG33	2	2						
9	Screw fixing blending piece	17H9934	RG34	2	2						
10	Screw fixing blending piece	17H9935	RG35	4	4						
11	Glass—door	AFH4453	RG36	2	2						
12	Weatherstrip—window frame	AFH4455	RG37	2	2						
13	Weatherstrip—garnish rail	AFH4456	RG38	2	2						
14	Packing—weatherstrip finisher	AFH4569	RG39	2	2						
15	Finisher—weatherstrip—R.H.	AFH4458	RG40	1	1						
16	Finisher—weatherstrip—L.H.	AFH4459		1	1						
17	Regulator assembly—R.H.	AFH3898	RG41	1	1						
18	Regulator assembly—L.H.	AFH3899		1	1						
19	Screw fixing regulator	HZS0404	RG42	12	12						
20	Washer for screw (plain)	PWZ204	RG43	12	12						
21	Washer for screw (spring)	LWZ204	RG44	12	12	12					
22	Channel—glass lower	AFH3900	RG45	2	2						
23	Strip—glazing	AFH4454	RG46	2	2						
24	Buffer—door glass stop (rubber)	AFH4568	RG47	2	2						
25	Handle—window regulator	ADH5481	RG48	2	2						
26	Escutcheon assembly—handle	ADB709	RG49	2	2						



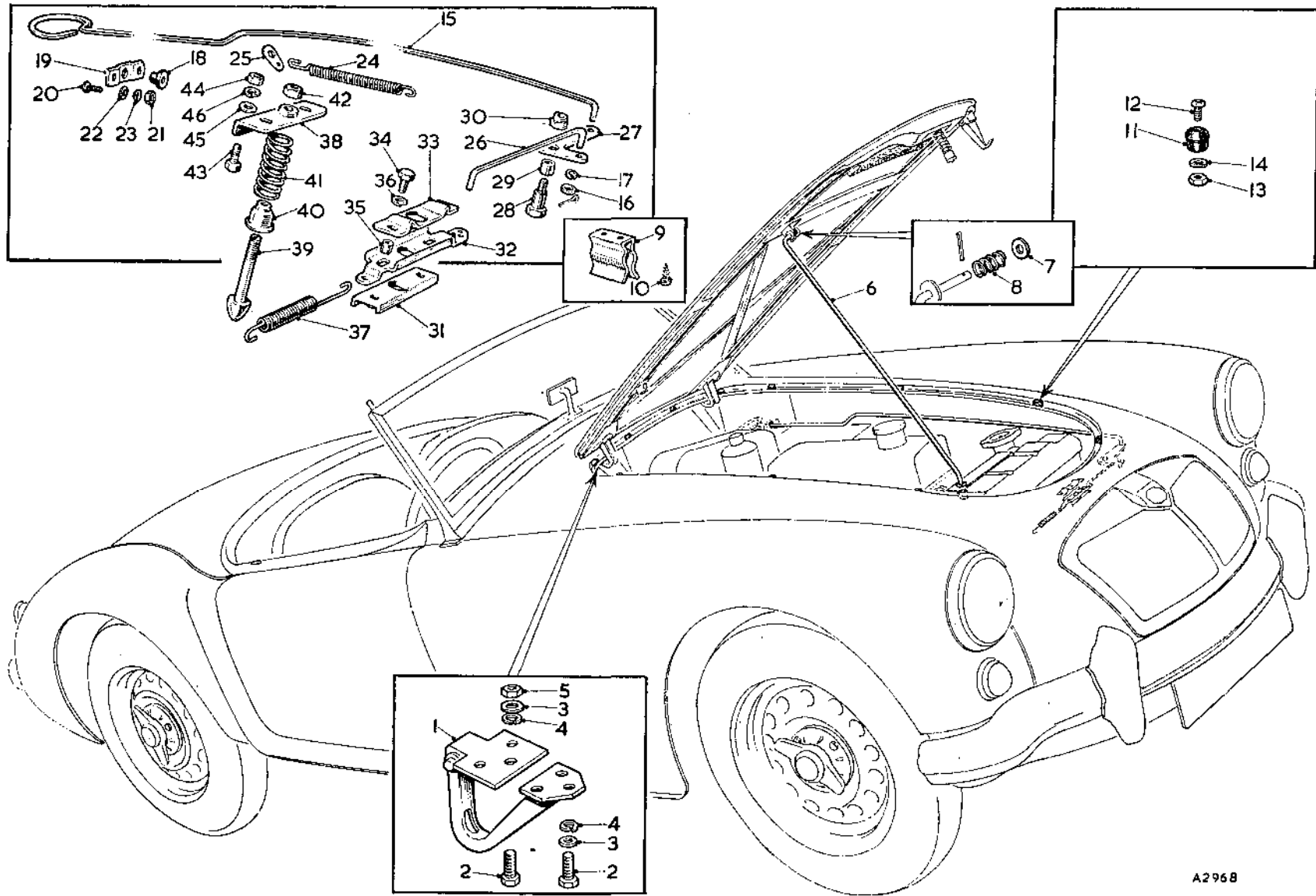


A2968

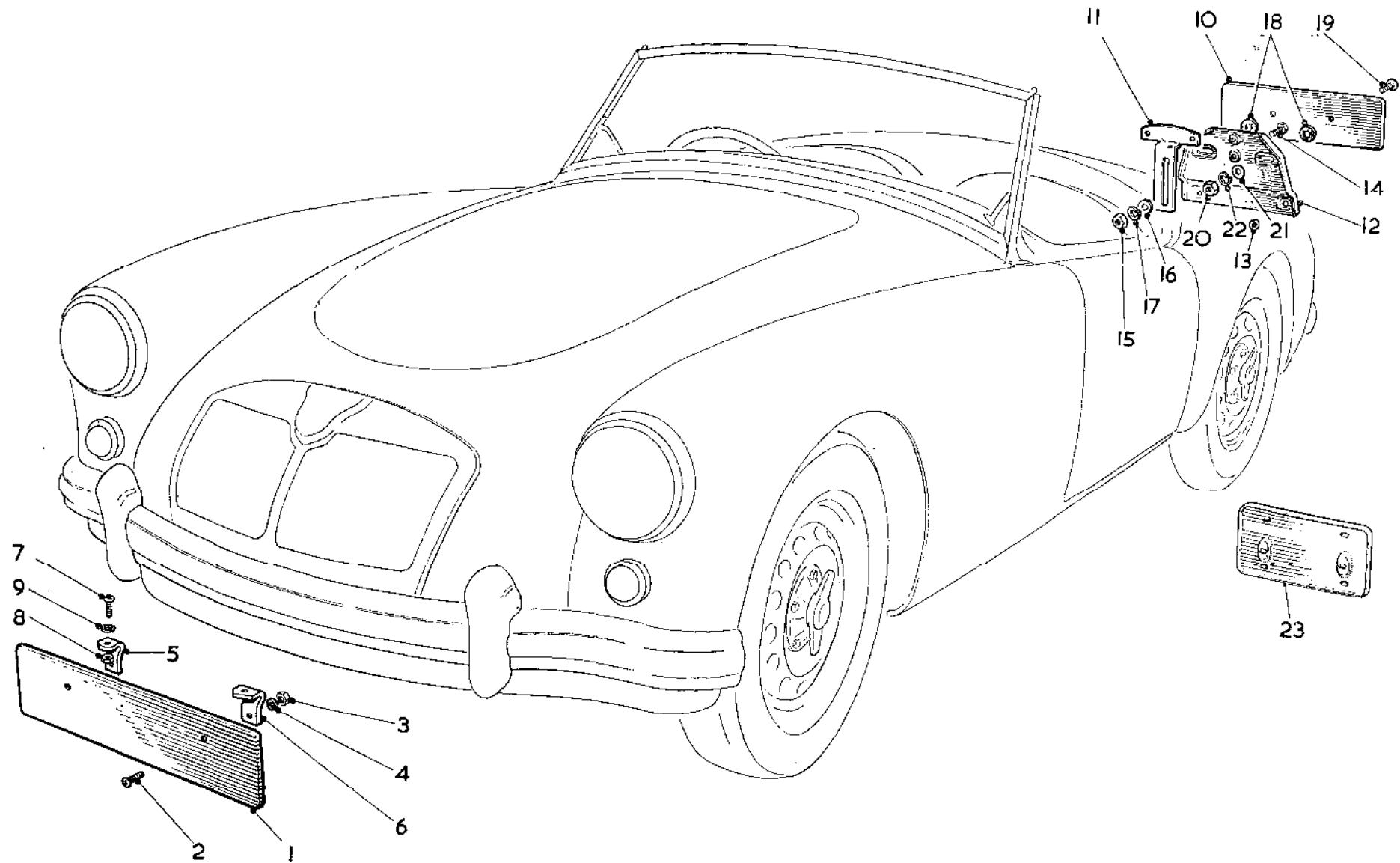
SERVICE PARTS LIST

THE M.G. Series MGA TWIN CAM

Item No.	DESCRIPTION	Commencing (C) 501		Qty. per Vehicle		Unit of Issue	Type of Vehicle	MODIFICATIONS			REMARKS
		Part Number	Illus. No.	RHD	LHD			New Part Number	Change Point	Amdt. No.	
BONNET FITTINGS											
7	Hinge—bonnet—R.H.	AFH1514	RH1	1	1						
8	Hinge—bonnet—L.H.	AFH1515		1	1						
9	Screw fixing hinge	AFH2587	RH2	12	12						
10	Washer for screw (plain)	PWZ203	RH3	12	12						
11	Washer for screw (spring)	LWZ203	RH4	12	12						
12	Nut for screw	FNZ103	RH5	2	2						
13	Rod—bonnet support	AFH1755	RH6	1	1						
14	Washer for rod (plain)	PWZ105	RH7	1	1						
15	Spring for rod	139282	RH8	1	1						
16	Clip for rod	AHH5460	RH9	1	1						
17	Screw fixing clip	PTZ803	RH10	2	2						
18	Buffer—bonnet	271601	RH11	10	10						
19	Screw fixing buffer	PMZ0208	RH12	10	10						
20	Nut for screw	CNZ102	RH13	10	10						
21	Washer for nut (spring)	LWZ202	RH14	10	10						
22	Rod—bonnet catch control	AFH1757	RH15	1	1						
23	Washer for rod (plain)	PWZ203	RH16	3	3						
24	Washer for rod (spring)	128900	RH17	3	3						
25	Grommet—dash panel	133221	RH18	1	1						
26	Plate—grommet retaining	133222	RH19	1	1						
27	Screw fixing plate	PMZ0208	RH20	2	2						
28	Nut for screw	CNZ102	RH21	2	2						
29	Washer for nut (plain)	PWZ202	RH22	2	2						
30	Washer for nut (spring)	LWZ202	RH23	2	2						
31	Spring (anti-rattle)	95210	RH24	1	1						
32	Plate—spring tension	ADA2463	RH25	1	1						
33	Rod—lever to slider control	133213	RH26	1	1						
34	Lever—control rod	AFH1654	RH27	1	1						
35	Bolt—lever pivot	AFH1655	RH28	1	1						
36	Distance tube for bolt	AFH1675	RH29	1	1						
37	Nut for bolt	LNZ103	RH30	1	1						
38	Support assembly—slider	ADH459	RH31	1	1						
39	Slider—bonnet catch	ADA461	RH32	1	1						
40	Plate—guide	ADA463	RH33	1	1						
41	Bolt fixing bonnet catch	HBZ0408	RH34	2	2						
42	Distance tube for bolt	ADA464	RH35	2	2						
43	Washer for bolt (spring)	LWZ204	RH36	2	2	12					
44	Spring—tension	ADA466	RH37	1	1						



A2968



A2989

SERVICE PARTS LIST

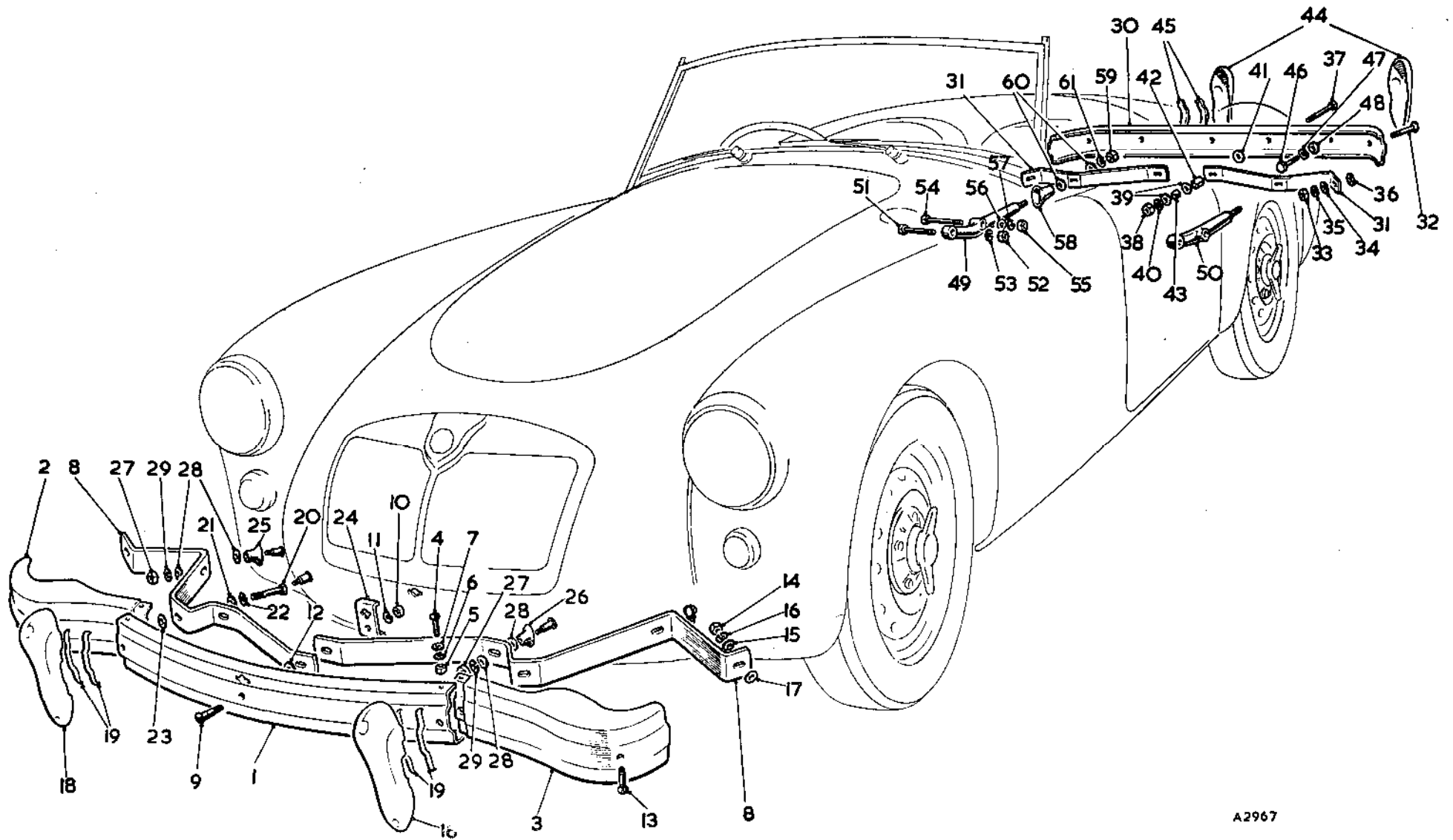
THE M.G. Series MGA TWIN CAM

Item No.	DESCRIPTION	Commencing (C) 501		Qty. per Vehicle		Unit of Issue	Type of Vehicle	MODIFICATIONS			REMARKS
		Part Number	Illus. No.	RHD	LHD			New Part Number	Change Point	Amdt. No.	
	NUMBER-PLATES AND FITTINGS										
1	Plate—number (front)	ACH5835	RJ1	1	1						
2	Screw—number-plate to bracket	PMZ0410	RJ2	2	2						
3	Nut for screw	FNZ104	RJ3	2	2						
4	Washer for nut (spring)	LWZ204	RJ4	2	2	12					
5	Bracket for number-plate—R.H.	AHH5161	RJ5	1	1						
6	Bracket for number-plate—L.H.	AHH5162	RJ6	1	1						
7	Screw—bracket to bumper	PMZ0408	RJ7	2	2						
8	Nut for screw	FNZ104	RJ8	2	2						
9	Washer for nut (spring)	LWZ204	RJ9	2	2	12					
10	Plate—number (rear)	ADG474	RJ10	1	1						
11	Bracket—lamp	136271	RJ11	1	1						
12	Bracket—number-plate mounting	AHH5151	RJ12	1	1						
13	Washer—number-plate (rubber)	500946	RJ13	4	4						
14	Screw—lamp bracket to mounting bracket	HZS0505	RJ14	2	2						
15	Locknut for screw	FNZ205	RJ15	2	2						
16	Washer for locknut (plain)	PWZ105	RJ16	2	2						
17	Washer for locknut (spring)	LWZ205	RJ17	2	2	24					
18	Washer—number-plate to bracket (packing)	AHH5712	RJ18	2	2						
19	Screw—number-plate to bracket	PMZ0410	RJ19	2	2						
20	Nut for screw	FNZ104	RJ20	2	2						
21	Washer for nut (plain)	PWZ104	RJ21	2	2	12					
22	Washer for nut (spring)	LWZ204	RJ22	2	2	12					
23	Support—number-plate (N. AMERICA)	AHA5211	RJ23		1						

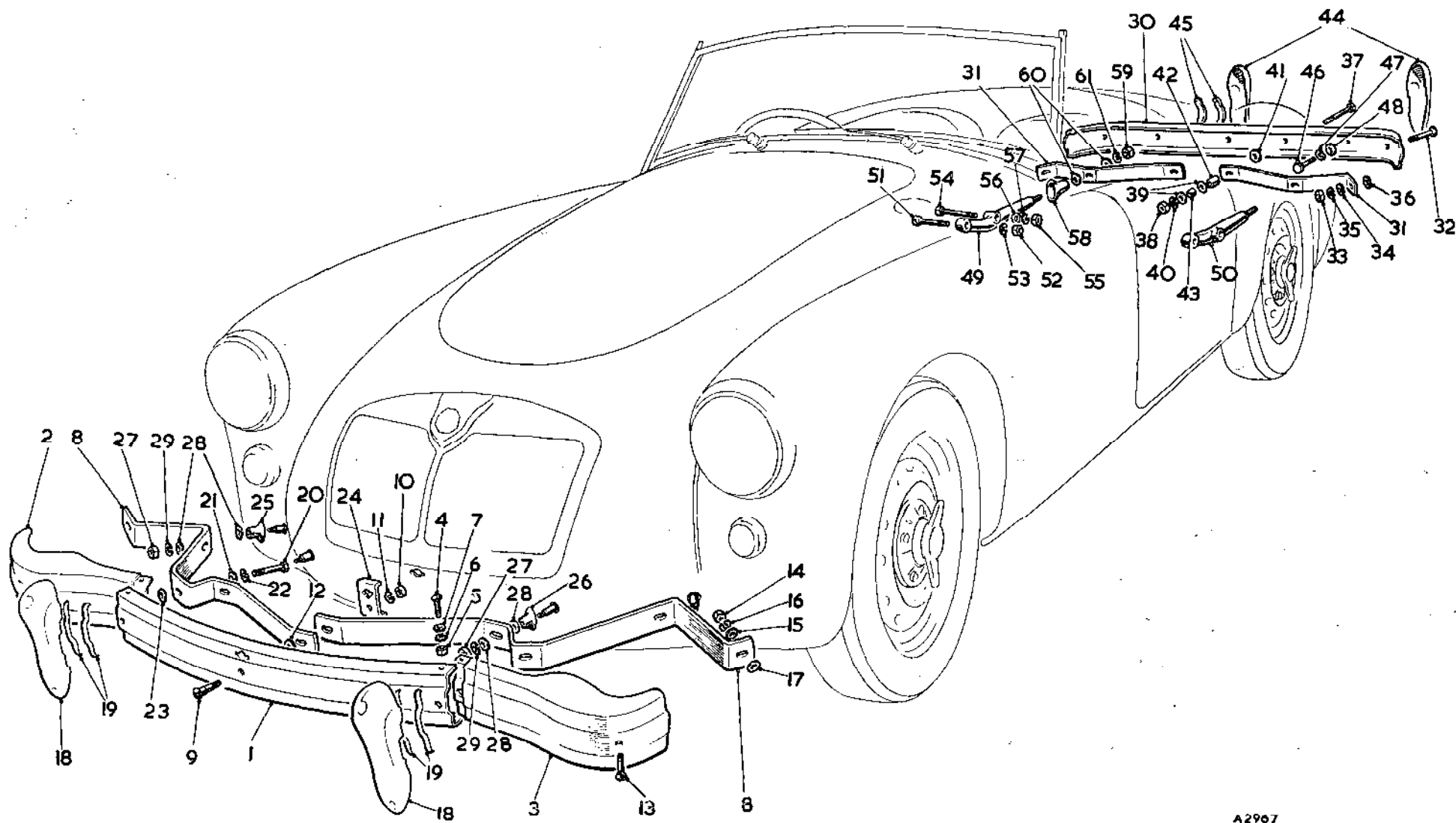
SERVICE PARTS LIST

THE M.G. Series MGA TWIN CAM

Item No.	DESCRIPTION	Commencing (C) 501		Qty. per Vehicle		Unit of Issue	Type of Vehicle	MODIFICATIONS			REMARKS
		Part Number	Illus. No.	RHD	LHD			New Part Number	Change Point	Amdt. No.	
	BUMPERS AND FITTINGS										
1	Bumper assembly (front)	N.S.P.		1	1						
2	Bar—centre	AHH5474	RK1	1	1						
3	Bar—corner—R.H.	AHH5486	RK2	1	1						
4	Bar—corner—L.H.	AHH5487	RK3	1	1						
5	Bolt—corner bar to centre bar	AHH5401	RK4	2	2						
6	Nut for bolt	FNZ105	RK5	2	2						
7	Washer for nut (spring)	LWZ205	RK6	2	2						
8	Washer for nut (special)	AHH5492	RK7	2	2						
9	Spring bar	AHH5478	RK8	2	2						
10	Bolt—spring bar to centre bar	AHH5479	RK9	1	1						
11	Nut for bolt	FNZ106	RK10	1	1						
12	Washer for nut (spring)	LWZ206	RK11	1	1						
13	Washer for nut (special)	AHH5494	RK12	1	1						
14	Bolt—spring bar to corner bar	AHH5480	RK13	2	2						
15	Nut for bolt	FNZ106	RK14	2	2						
16	Washer for nut (plain)	PWZ106	RK15	2	2						
17	Washer for nut (spring)	LWZ206	RK16	2	2						
18	Washer for nut (special)	AHH5494	RK17	2	2						
19	Over-rider assembly	AHH5478	RK18	2	2						
20	Moulding (P.V.C.)	AHH5488	RK19	4	4						
21	Bolt—over-rider to bumper bar	HBZ0620	RK20	2	2						
22	Washer for bolt (plain)	PWZ106	RK21	2	2						
23	Washer for bolt (spring)	LWZ206	RK22	2	2						
24	Washer for bolt (special)	AHH5494	RK23	2	2						
25	Bracket—starting-handle	AHH5477	RK24	1	1						
26	Grommet for outer stud	AHH5163	RK25	2	2						
27	Grommet for inner stud	AHH5164	RK26	2	2						
28	Nut—spring bar to stud	FNZ108	RK27	4	4						
29	Washer for nut (plain)	PWZ208	RK28	8	8						
30	Washer for nut (spring)	LWZ208	RK29	4	4						
31	Bumper assembly (rear)	N.S.P.		1	1						
32	Bar—bumper	AHH5481	RK30	1	1						
33	Spring bar	AHH5482	RK31	2	2						
34	Bolt—spring bar to bumper bar (outer)	AHH5480	RK32	2	2						
35	Nut for bolt	FNZ106	RK33	2	2						
36	Washer for nut (plain)	PWZ106	RK34	2	2						
37	Washer for nut (spring)	LWZ208	RK35	2	2						
38	Washer for nut (special)	AHH5494	RK36	2	2						
39	Bolt—spring bar to bumper bar (inner)	AHH5485	RK37	2	2						
40	Nut for bolt	FNZ106	RK38	2	2						
41	Washer for nut (plain)	PWZ206	RK39	4	4						
42	Washer for nut (spring)	LWZ206	RK40	2	2						
43	Washer for nut (special)	AHH5494	RK41	2	2						
44	Distance piece for bolt	AHH5483	RK42	2	2						
45	Distance tube for bolt	AHH5484	RK43	2	2						
46	Over-rider assembly	AHH5478	RK44	2	2						
47	Moulding (P.V.C.)	AHH5488	RK45	4	4						
48	Bolt—over-rider to bumper bar	HBZ0616	RK46	2	2						
49	Washer for bolt (spring)	LWZ206	RK47	2	2						
50	Washer for bolt (special)	AHH5494	RK48	2	2						



A2967



A2907

SERVICE PARTS LIST

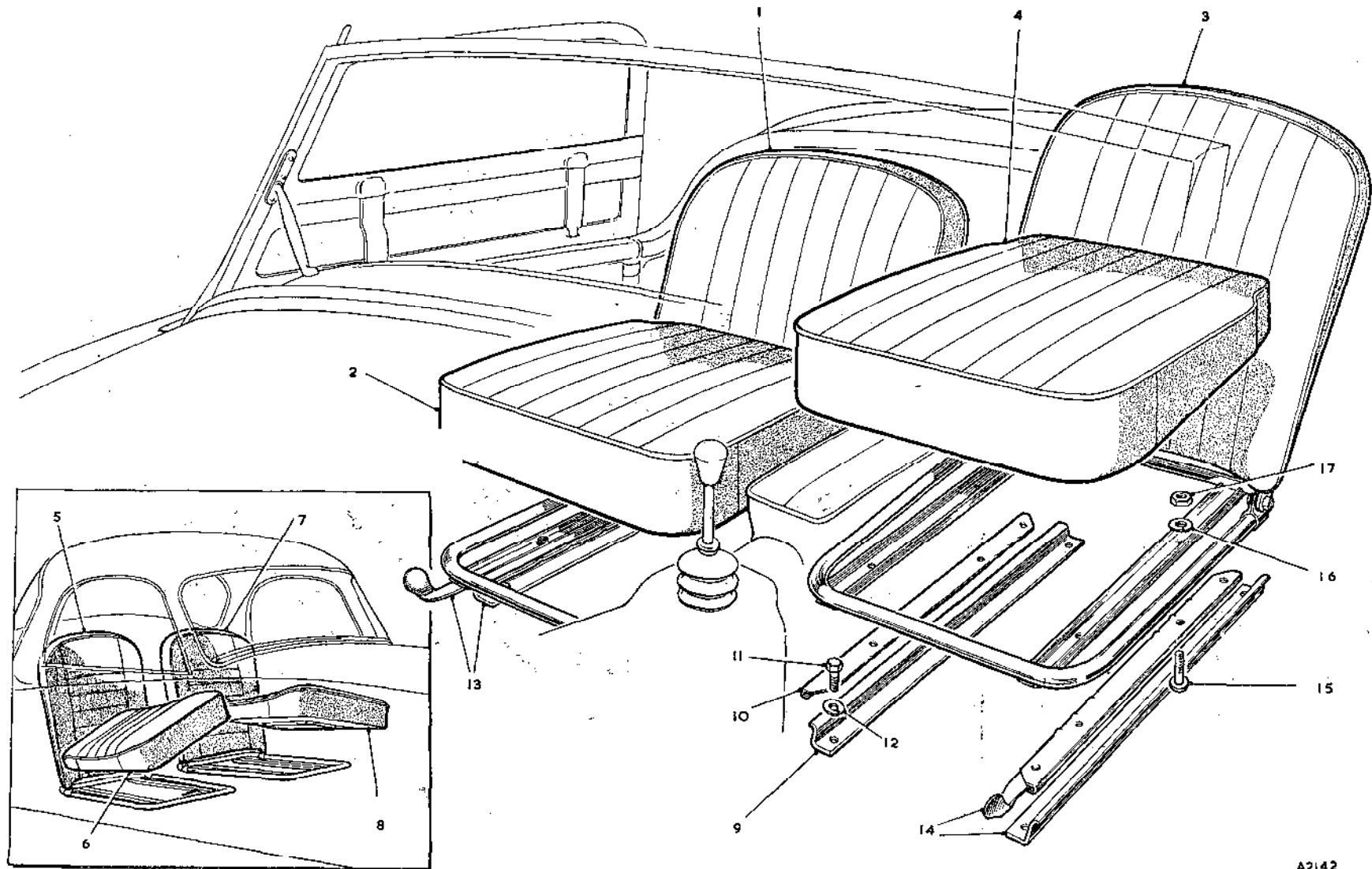
THE M.G. Series MGA TWIN CAM

Item No.	DESCRIPTION	Commencing (C) 501		Qty. per Vehicle		Unit of Issue	Type of Vehicle	MODIFICATIONS			REMARKS
		Part Number	Illus. No.	RHD	LHD			New Part Number	Change Point	Amdt. No.	
	Bumpers and Fittings—continued										
1	Bracket—rear bumper mounting—R.H.	AHH5093	RK49	1	1						
2	Bracket—rear bumper mounting—L.H.	AHH5094	RK50	1	1						
3	Bolt—bracket to frame (3½")	HBZ0780	RK51	2	2						
4	Nut for bolt	FNZ107	RK52	2	2						
5	Washer for nut (spring)	LWZ207	RK53	2	2						
6	Bolt—bracket to frame (4")	HBZ0732	RK54	2	2						
7	Nut for bolt	FNZ107	RK55	2	2						
8	Washer for nut (plain)	PWZ107	RK56	2	2						
9	Washer for nut (spring)	LWZ207	RK57	2	2						
10	Grommet for bracket	130383	RK58	2	2						
11	Nut—spring bar to bracket	FNZ108	RK59	2	2						
12	Washer for nut (plain)	PWZ208	RK60	4	4						
13	Washer for nut (spring)	LWZ208	RK61	2	2						

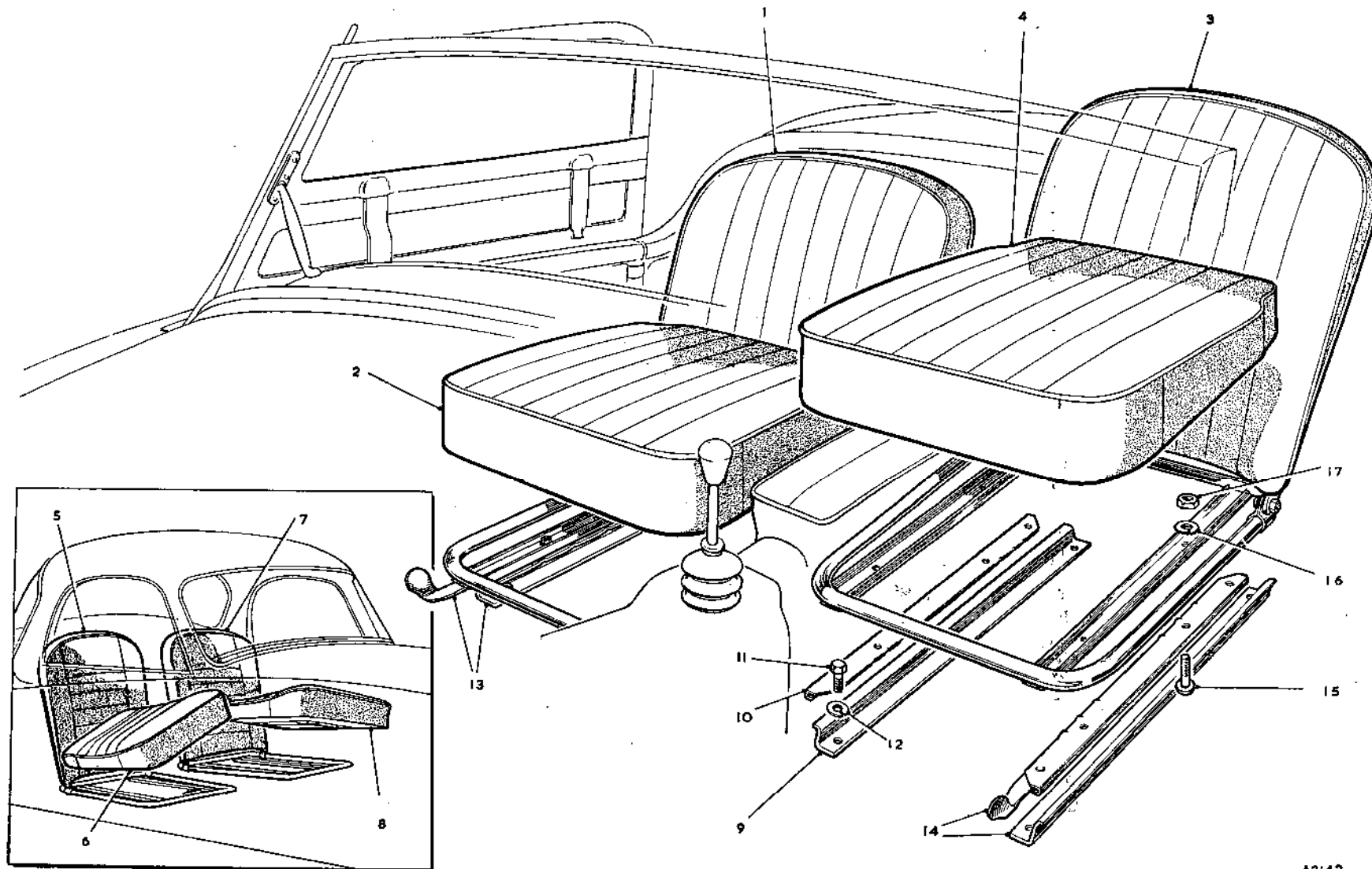
SERVICE PARTS LIST

THE M.G. Series MGA TWIN CAM

Item No.	DESCRIPTION	Commencing (C) 501		Qty. per Vehicle		Unit of Issue	Type of Vehicle	MODIFICATIONS			REMARKS
		Part Number	Illus. No.	RHD	LHD			New Part Number	Change Point	Amdt. No.	
	SEATS AND SEAT FITTINGS										
1	Seat assembly (less cushion)—bucket—R.H. (Red with Red piping)	AFH2456	RL1	1	1						
2	Seat assembly (less cushion)—bucket—R.H. (Black with Red piping)	AFH5852		1	1						
3	Seat assembly (less cushion)—bucket—R.H. (Black with White piping)	AFH5853		1	1						
4	Seat assembly (less cushion)—bucket—R.H. (Green with Green piping)	AFH5848		1	1						
5	Seat assembly (less cushion)—bucket—R.H. (Grey with Grey piping)	AFH5850		1	1						
6	Seat assembly (less cushion)—bucket—R.H. (Black with Green piping)	AFH5854		1	1				Fin. (C) 2192		
7	Seat assembly (less cushion)—bucket—R.H. (Black with Grey piping)	AFH5856		1	1						
8	Seat assembly (less cushion)—bucket—R.H. (Beige with Beige piping)			1	1			AFH6672			
9	Seat assembly (less cushion)—bucket—R.H. (Black with Blue piping)			1	1			AFH6674	Com. (C) 2193		
10	Squab assembly—bucket seat—R.H. (Red with Red piping)	AFH2614		1	1		Tourer				
11	Squab assembly—bucket seat—R.H. (Black with Red piping)	AFH5876		1	1						
12	Squab assembly—bucket seat—R.H. (Black with White piping)	AFH5882		1	1						
13	Squab assembly—bucket seat—R.H. (Green with Green piping)	AFH5872		1	1						
14	Squab assembly—bucket seat—R.H. (Grey with Grey piping)	AFH5874		1	1						
15	Squab assembly—bucket seat—R.H. (Black with Green piping)	AFH5878		1	1				Fin. (C) 2192		
16	Squab assembly—bucket seat—R.H. (Black with Grey piping)	AFH5880		1	1						
17	Squab assembly—bucket seat—R.H. (Beige with Beige piping)			1	1			AFH6680			
18	Squab assembly—bucket seat—R.H. (Black with Blue piping)			1	1			AFH6682	Com. (C) 2193		
19	Cover assembly—bucket seat squab—R.H. (Red with Red piping)	AFH2612		1	1						
20	Cover assembly—bucket seat squab—R.H. (Black with Red piping)	AFH6454		1	1						
21	Cover assembly—bucket seat squab—R.H. (Black with White piping)	AFH6460		1	1						
22	Cover assembly—bucket seat squab—R.H. (Green with Green piping)	AFH6450		1	1						
23	Cover assembly—bucket seat squab—R.H. (Grey with Grey piping)	AFH6452		1	1						
24	Cover assembly—bucket seat squab—R.H. (Black with Green piping)	AFH6456		1	1				Fin. (C) 2192		
25	Cover assembly—bucket seat squab—R.H. (Black with Grey piping)	AFH6458		1	1						



A2142



A2142

SERVICE PARTS LIST

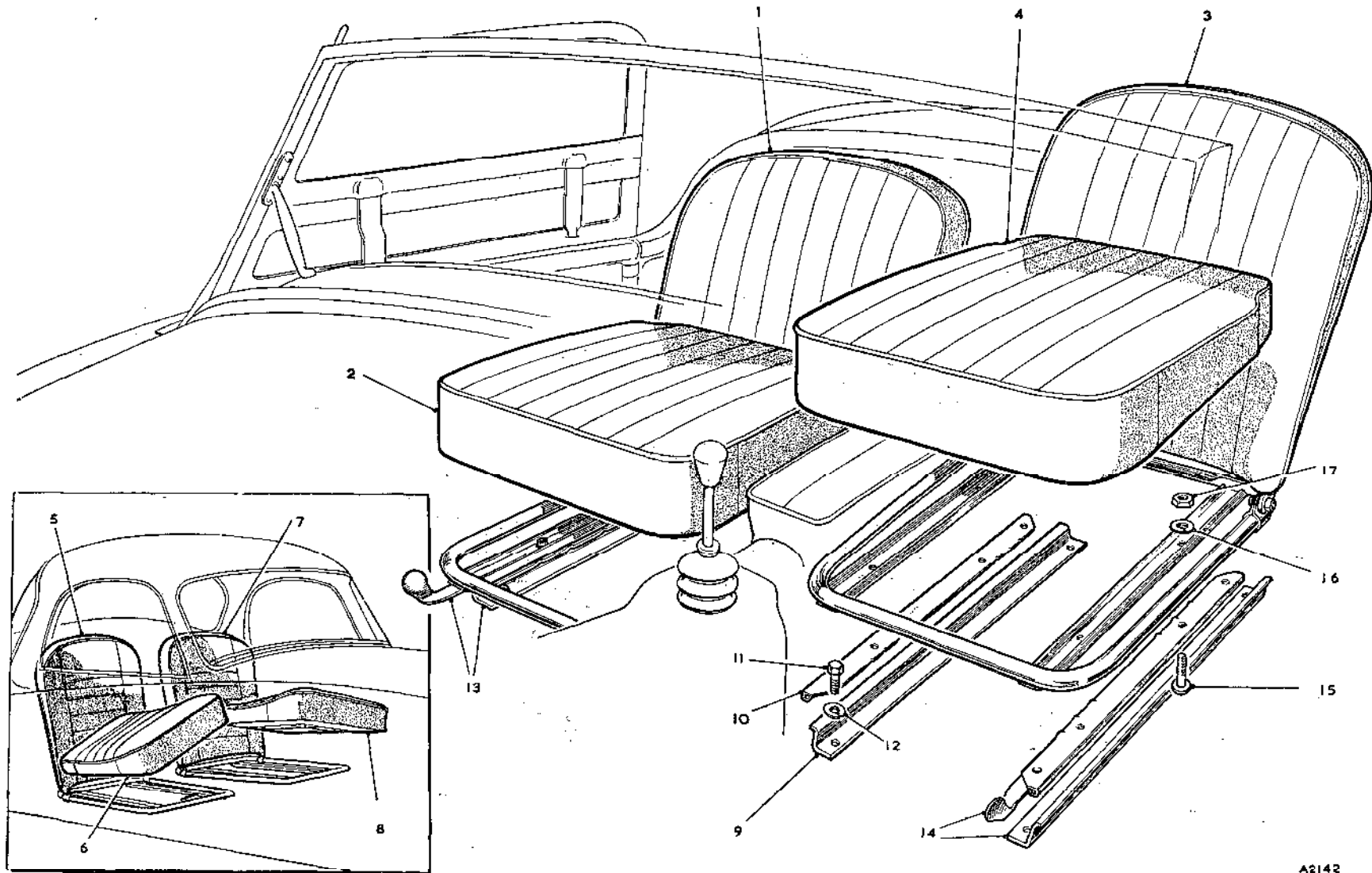
THE M.G. Series MGA TWIN CAM

Item No.	DESCRIPTION	Commencing (C) 501		Qty. per Vehicle		Unit of Issue	Type of Vehicle	MODIFICATIONS			REMARKS
		Part Number	Illus. No.	RHD	LHD			New Part Number	Change Point	Amdt. No.	
	Seats and Seat Fittings—continued										
1	Cover assembly bucket seat squab—R.H. (Beige with Beige piping)			1	1			AFH6688] Com. (C) 2193		
2	Cover assembly bucket seat squab—R.H. (Black with Blue piping)			1	1			AFH6690			
3	Cushion assembly—bucket seat—R.H. (Red with Red piping)	AFH2458	RL2	1	1						
4	Cushion assembly—bucket seat—R.H. (Black with Red piping)	AFH5804		1	1						
5	Cushion assembly—bucket seat—R.H. (Black with White piping)	AFH5870		1	1						
6	Cushion assembly—bucket seat—R.H. (Green with Green piping)	AFH5860		1	1						
7	Cushion assembly—bucket seat—R.H. (Grey with Grey piping)	AFH5862		1	1] Fin. (C) 2192		
8	Cushion assembly—bucket seat—R.H. (Black with Green piping)	AFH5866		1	1						
9	Cushion assembly—bucket seat—R.H. (Black with Grey piping)	AFH5868		1	1						
10	Cushion assembly—bucket seat—R.H. (Beige with Beige piping)			1	1			AFH6676] Com. (C) 2193		
11	Cushion assembly—bucket seat—R.H. (Black with Blue piping)			1	1			AFH6678			
12	Cover assembly—bucket seat cushion—R.H. (Red with Red piping)	AFH2610		1	1		Tourer				
13	Cover assembly—bucket seat cushion—R.H. (Black with Red piping)	AFH5888		1	1						
14	Cover assembly—bucket seat cushion—R.H. (Black with White piping)	AFH5894		1	1						
15	Cover assembly—bucket seat cushion—R.H. (Green with Green piping)	AFH5884		1	1						
16	Cover assembly—bucket seat cushion—R.H. (Grey with Grey piping)	AFH5886		1	1] Fin. (C) 2192		
17	Cover assembly—bucket seat cushion—R.H. (Black with Green piping)	AFH5890		1	1						
18	Cover assembly—bucket seat cushion—R.H. (Black with Grey piping)	AFH5892		1	1						
19	Cover assembly—bucket seat cushion—R.H. (Beige with Beige piping)			1	1			AFH6684] Com. (C) 2193		
20	Cover assembly—bucket seat cushion—R.H. (Black with Blue piping)			1	1			AFH6686			
21	Seat assembly—bucket seat less cushion—L.H. (Red with Red piping)	AFH2457	RL3	1	1						
22	Seat assembly—bucket seat less cushion—L.H. (Black with Red piping)	AFH5853		1	1						
23	Seat assembly—bucket seat less cushion—L.H. (Black with White piping)	AFH5859		1	1						
24	Seat assembly—bucket seat less cushion—L.H. (Green with Green piping)	AFH5840		1	1] Fin. (C) 2192		

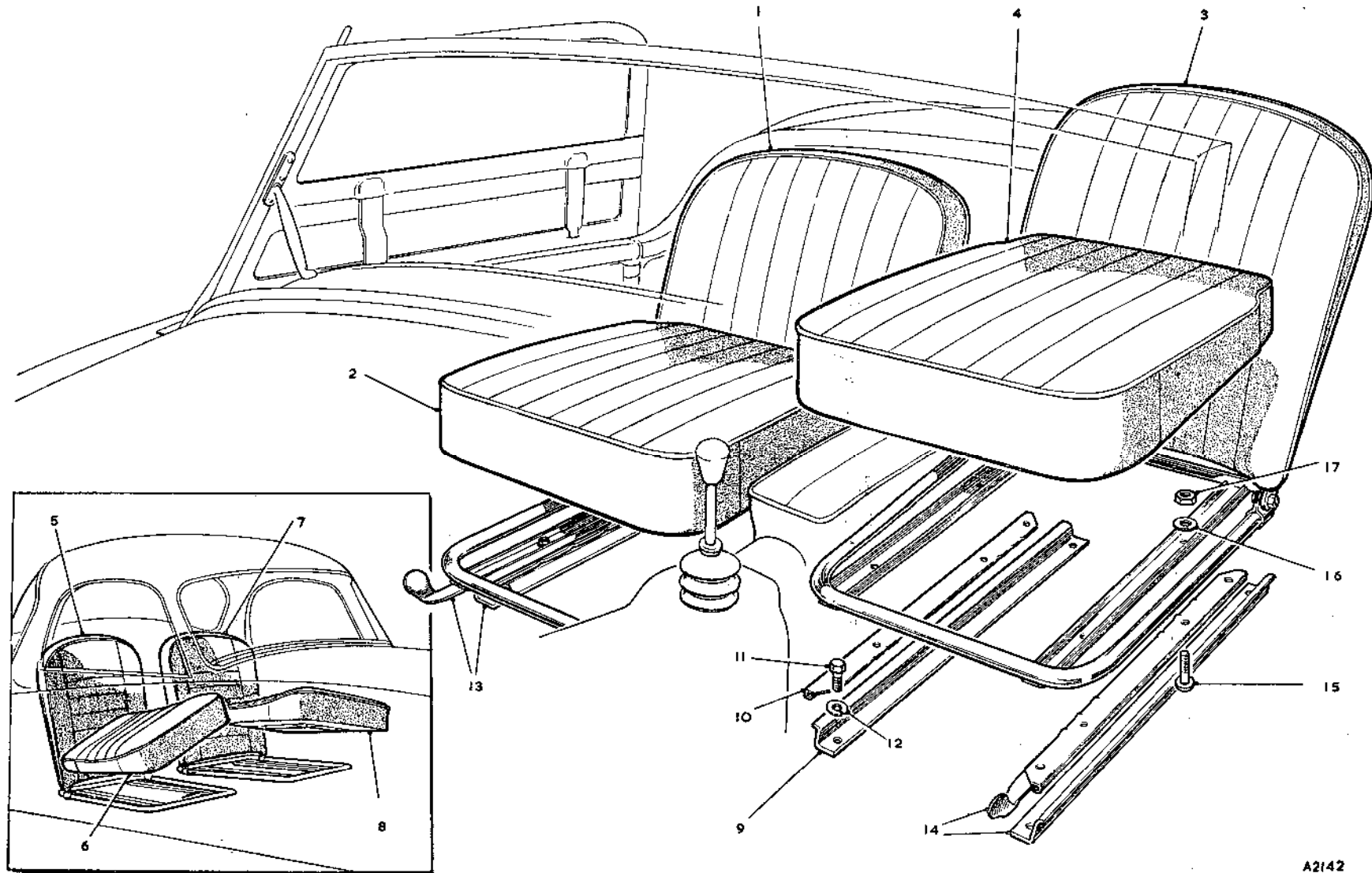
SERVICE PARTS LIST

THE M.G. Series MGA TWIN CAM

Item No.	DESCRIPTION	Commencing (C) 501		Qty. per Vehicle		Unit of Issue	Type of Vehicle	MODIFICATIONS			
		Part Number	Illus. No.	RHD	LHD			New Part Number	Change Point	Amdt. No.	REMARKS
	Seats and Seat Fittings—continued										
1	Seat assembly—bucket seat less cushion—L.H. (Grey with Grey piping)	AFH5851		1	1						
2	Seat assembly—bucket seat less cushion—L.H. (Black with Green piping)	AFH5855		1	1				Fin. (C) 2192		
3	Seat assembly—bucket seat less cushion—L.H. (Black with Grey piping)	AFH5857		1	1						
4	Seat assembly—bucket seat less cushion—L.H. (Beige with Beige piping)			1	1			AFH6673			
5	Seat assembly—bucket seat less cushion—L.H. (Black with Blue piping)			1	1			AFH6675	Com. (C) 2193		
6	Squab assembly—bucket seat—L.H. (Red with Red piping)	AFH2615		1	1						
7	Squab assembly—bucket seat—L.H. (Black with Red piping)	AFH5877		1	1						
8	Squab assembly—bucket seat—L.H. (Black with White piping)	AFH5883		1	1						
9	Squab assembly—bucket seat—L.H. (Green with Green piping)	AFH5873		1	1						
10	Squab assembly—bucket seat—L.H. (Grey with Grey piping)	AFH5875		1	1						
11	Squab assembly—bucket seat—L.H. (Black with Green piping)	AFH5879		1	1				Fin. (C) 2192		
12	Squab assembly—bucket seat—L.H. (Black with Grey piping)	AFH5881		1	1		Tourer				
13	Squab assembly—bucket seat—L.H. (Beige with Beige piping)			1	1			AFH6681			
14	Squab assembly—bucket seat—L.H. (Black with Blue piping)			1	1			AFH6683	Com. (C) 2193		
15	Cover assembly—bucket seat squab—L.H. (Red with Red piping)	AFH2613		1	1						
16	Cover assembly—bucket seat squab—L.H. (Black with Red piping)	AFH6455		1	1						
17	Cover assembly—bucket seat squab—L.H. (Black with White piping)	AFH6461		1	1						
18	Cover assembly—bucket seat squab—L.H. (Green with Green piping)	AFH6451		1	1						
19	Cover assembly—bucket seat squab—L.H. (Grey with Grey piping)	AFH6453		1	1						
20	Cover assembly—bucket seat squab—L.H. (Black with Green piping)	AFH6457		1	1				Fin. (C) 2192		
21	Cover assembly—bucket seat squab—L.H. (Black with Grey piping)	AFH6459		1	1						
22	Cover assembly—bucket seat squab—L.H. (Beige with Beige piping)			1	1			AFH6689			
23	Cover assembly—bucket seat squab—L.H. (Black with Blue piping)			1	1			AFH6691	Com. (C) 2193		



A2142



A2142

SERVICE PARTS LIST

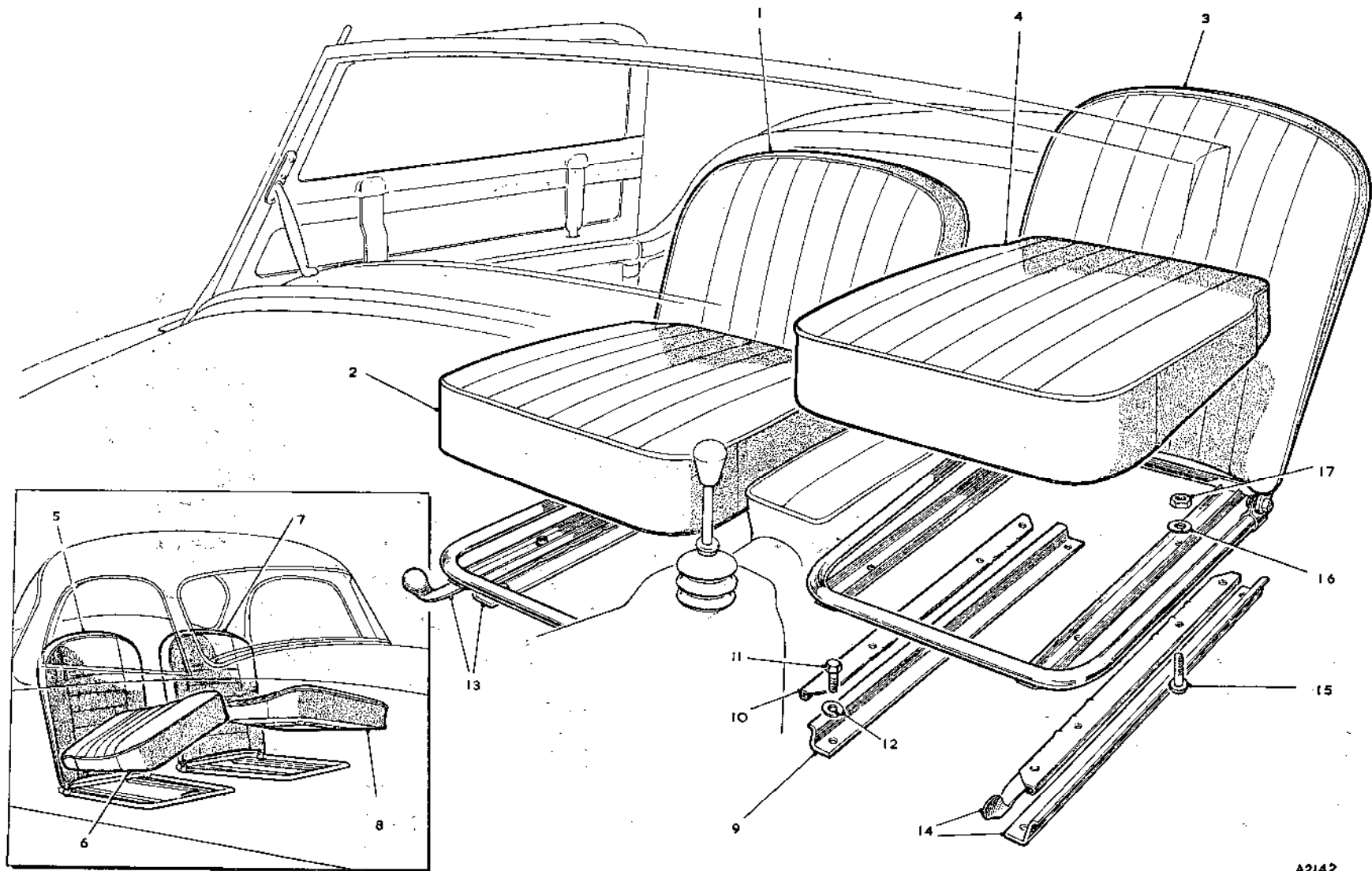
THE M.G. Series MGA TWIN CAM

Item No.	DESCRIPTION	Commencing (C) 501		Qty. per Vehicle		Unit of Issue	Type of Vehicle	MODIFICATIONS			REMARKS
		Part Number	Illus. No.	RHD	LHD			New Part Number	Change Point	Amtd. No.	
	Seats and Seat Fittings—continued										
1	Cushion assembly—bucket seat—L.H. (Red with Red piping)	AFH2459	RL4	1	1		Tourer				
2	Cushion assembly—bucket seat—L.H. (Black with Red piping)	AFH3865		1	1						
3	Cushion assembly—bucket seat—L.H. (Black with White piping)	AFH5871		1	1						
4	Cushion assembly—bucket seat—L.H. (Green with Green piping)	AFH5861		1	1						
5	Cushion assembly—bucket seat—L.H. (Grey with Grey piping)	AFH3863		1	1						
6	Cushion assembly—bucket seat—L.H. (Black with Green piping)	AFH5867		1	1				Fin. (C) 2192		
7	Cushion assembly—bucket seat—L.H. (Black with Grey piping)	AFH5869		1	1						
8	Cushion assembly—bucket seat—L.H. (Beige with Beige piping)			1	1						
9	Cushion assembly—bucket seat—L.H. (Black with Blue piping)			1	1				AFH6677		
10	Cushion assembly—bucket seat—L.H. (Black with Blue piping)			1	1				AFH6679	Com. (C) 2193	
11	Cover assembly—bucket seat cushion—L.H. (Red with Red piping)	AFH2611		1	1						
12	Cover assembly—bucket seat cushion—L.H. (Black with Red piping)	AFH5889		1	1						
13	Cover assembly—bucket seat cushion—L.H. (Black with White piping)	AFH5895		1	1						
14	Cover assembly—bucket seat cushion—L.H. (Green with Green piping)	AFH5885		1	1						
15	Cover assembly—bucket seat cushion—L.H. (Grey with Grey piping)	AFH5887		1	1						
16	Cover assembly—bucket seat cushion—L.H. (Black with Green piping)	AFH5891		1	1				Fin. (C) 2192		
17	Cover assembly—bucket seat cushion—L.H. (Black with Grey piping)	AFH5893		1	1						
18	Cover assembly—bucket seat cushion—L.H. (Beige with Beige piping)			1	1			AFH6685			
19	Cover assembly—bucket seat cushion—L.H. (Black with Blue piping)			1	1			AFH6687	Com. (C) 2193		
20	Seat assembly—bucket seat less cushion—R.H. (Red with Red piping)	AFH4632	RL5	1	1		Coupé				
21	Seat assembly—bucket seat less cushion—R.H. (Black with Red piping)	AFH5496		1	1						
22	Seat assembly—bucket seat less cushion—R.H. (Black with White piping)	AFH5494		1	1						
23	Seat assembly—bucket seat less cushion—R.H. (Green with Green piping)	AFH5490		1	1						
24	Seat assembly—bucket seat less cushion—R.H. (Grey with Grey piping)	AFH5492		1	1					Fin. (C) 2291	
	Seat assembly—bucket seat less cushion—R.H. (Black with Green piping)	AFH5498		1	1						

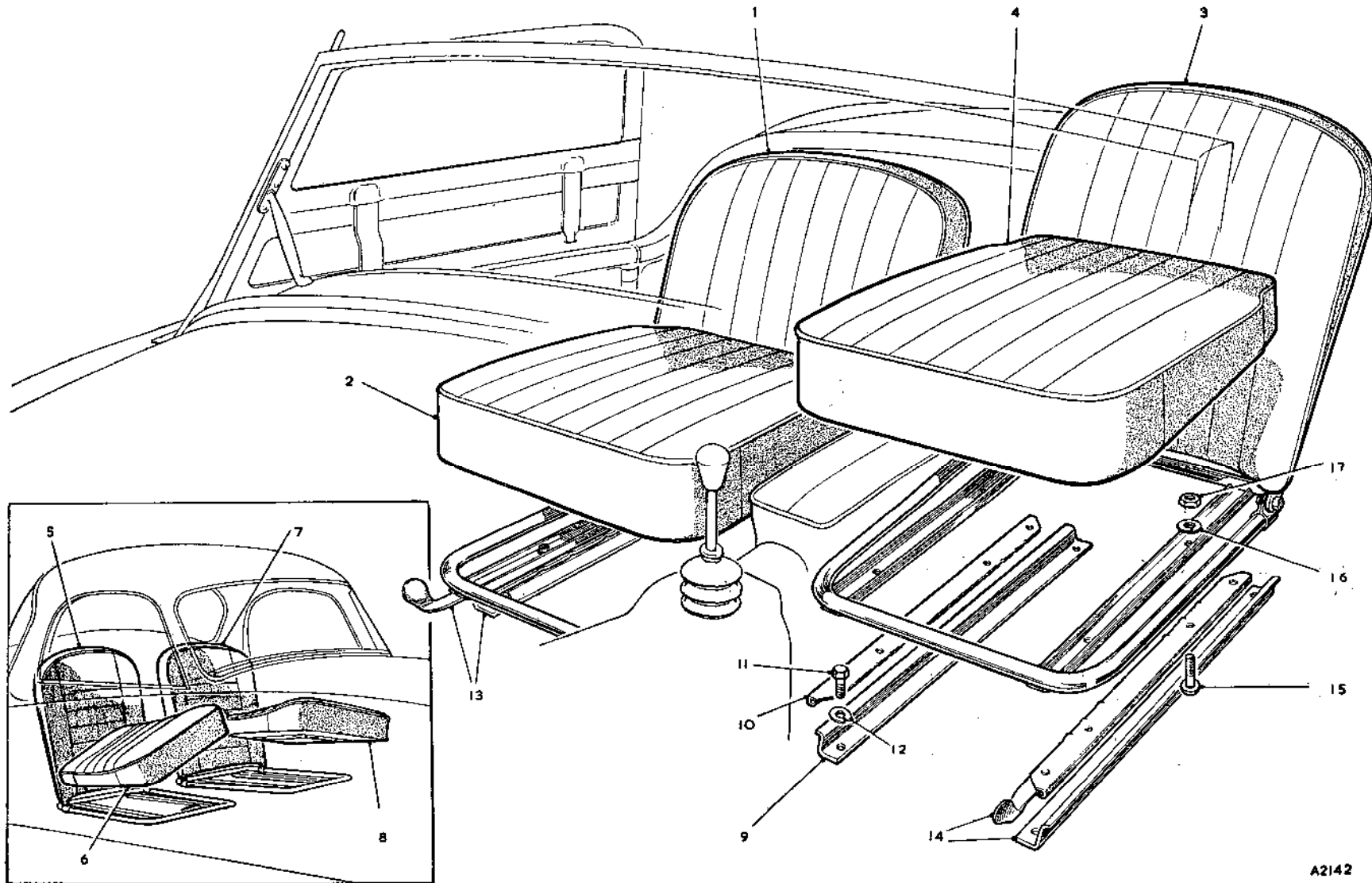
SERVICE PARTS LIST

THE M.G. Series MGA TWIN CAM

Item No.	DESCRIPTION	Commencing (C) 501		Qty. per Vehicle		Unit of Issue	Type of Vehicle	MODIFICATIONS			REMARKS
		Part Number	Illus. No.	RHD	LHD			New Part Number	Change Point	Amdt. No.	
	Seats and Seat Fittings—continued										
1	Seat assembly—bucket seat less cushion—R.H. (Black with Blue piping)	AFH5500		1	1				Fin. (C) 2291		
2	Seat assembly—bucket seat less cushion—R.H. (Beige with Beige piping)			1	1			AFH6718] Com. (C) 2292		
3	Seat assembly—bucket seat less cushion—R.H. (Black with Blue piping)			1	1			AFH6720			
4	Squab assembly—bucket seat—R.H. (Red with Red piping)	AFH4636		1	1						
5	Squab assembly—bucket seat—R.H. (Black with Red piping)	AFH5520		1	1						
6	Squab assembly—bucket seat—R.H. (Black with White piping)	AFH5518		1	1						
7	Squab assembly—bucket seat—R.H. (Green with Green piping)	AFH5514		1	1						
8	Squab assembly—bucket seat—R.H. (Grey with Grey piping)	AFH5516		1	1] Fin. (C) 2291		
9	Squab assembly—bucket seat—R.H. (Black with Green piping)	AFH5522		1	1						
10	Squab assembly—bucket seat—R.H. (Black with Blue piping)	AFH5424		1	1						
11	Squab assembly—bucket seat—R.H. (Beige with Beige piping)			1	1			AFH6726] Com. (C) 2292		
12	Squab assembly—bucket seat—R.H. (Black with Blue piping)			1	1			AFH6728			
13	Cover assembly—bucket seat squab—R.H. (Red with Red piping)	AFH4640		1	1		Coupe				
14	Cover assembly—bucket seat squab—L.H. (Black with Red piping)	AFH5544		1	1						
15	Cover assembly—bucket seat squab—R.H. (Black with White piping)	AFH5542		1	1						
16	Cover assembly—bucket seat squab—R.H. (Green with Green piping)	AFH5538		1	1						
17	Cover assembly—bucket seat squab—R.H. (Grey with Grey piping)	AFH5540		1	1] Fin. (C) 2291		
18	Cover assembly—bucket seat squab—R.H. (Black with Green piping)	AFH5546		1	1						
19	Cover assembly—bucket seat squab—R.H. (Black with Blue piping)	AFH5548		1	1						
20	Cover assembly—bucket seat squab—R.H. (Beige with Beige piping)			1	1			AFH6734] Com. (C) 2292		
21	Cover assembly—bucket seat squab—R.H. (Black with Blue piping)			1	1			AFH6736			
22	Cushion assembly—bucket seat—R.H. (Red with Red piping)	AFH4634	RL6	1	1						
23	Cushion assembly—bucket seat—R.H. (Black with Red piping)	AFH5508		1	1						
24	Cushion assembly—bucket seat—R.H. (Black with White piping)	AFH5506		1	1						



A2142



A2142

SERVICE PARTS LIST

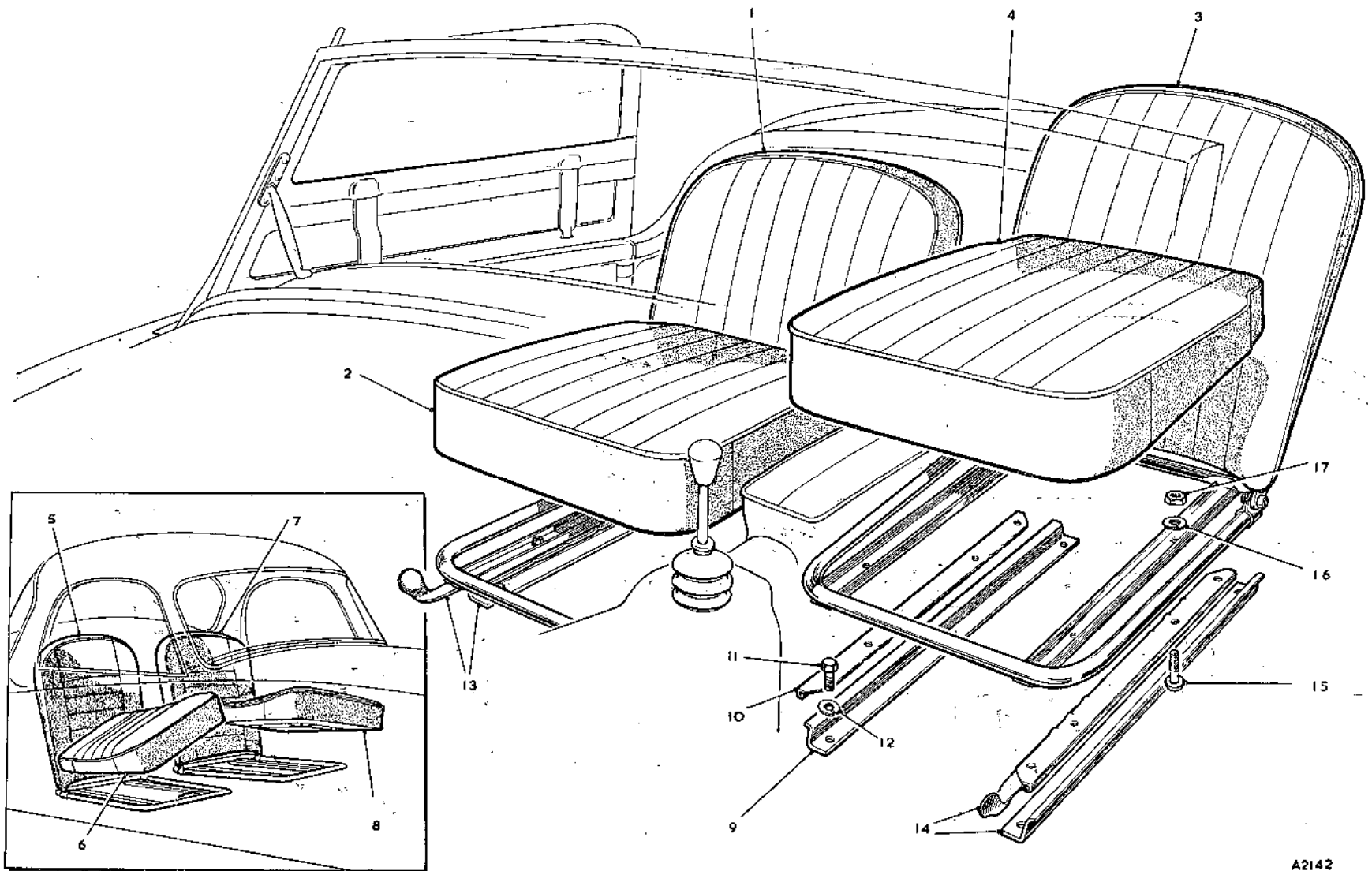
THE M.G. Series MGA TWIN CAM

Item No.	DESCRIPTION	Commencing (C) 501		Qty. per Vehicle		Unit of Issue	Type of Vehicle	MODIFICATIONS			REMARKS
		Part Number	Illus. No.	RHD	LHD			New Part Number	Change Point	Amdt. No.	
	Seats and Seat Fittings—continued										
1	Cushion assembly—bucket seat—R.H. (Green with Green piping)	AFH5502		1	1						
2	Cushion assembly—bucket seat—R.H. (Grey with Grey piping)	AFH5504		1	1						
3	Cushion assembly—bucket seat—R.H. (Black with Green piping)	AFH5510		1	1				Fin. (C) 2291		
4	Cushion assembly—bucket seat—R.H. (Black with Blue piping)	AFH5512		1	1						
5	Cushion assembly—bucket seat—R.H. (Beige with Beige piping)			1	1			AFH6722			
6	Cushion assembly—bucket seat—R.H. (Black with Blue piping)			1	1			AFH6724	Com. (C) 2292		
7	Cover assembly—bucket seat cushion—R.H. (Red with Red piping)	AFH4638		1	1						
8	Cover assembly—bucket seat cushion—R.H. (Black with Red piping)	AFH5532		1	1						
9	Cover assembly—bucket seat cushion—R.H. (Black with White piping)	AFH6530		1	1						
10	Cover assembly—bucket seat cushion—R.H. (Green with Green piping)	AFH5526		1	1						
11	Cover assembly—bucket seat cushion—R.H. (Grey with Grey piping)	AFH5528		1	1						
12	Cover assembly—bucket seat cushion—R.H. (Black with Green piping)	AFH5534		1	1				Fin. (C) 2291		
13	Cover assembly—bucket seat cushion—R.H. (Black with Blue piping)	AFH5536		1	1		Coupé				
14	Cover assembly—bucket seat cushion—R.H. (Beige with Beige piping)			1	1			AFH6730			
15	Cover assembly—bucket seat cushion—R.H. (Black with Blue piping)			1	1			AFH6732	Com. (C) 2292		
16	Seat assembly—bucket seat less cushion—L.H. (Red with Red piping)	AFH4633	RL7	1	1						
17	Seat assembly—bucket seat less cushion—L.H. (Black with Red piping)	AFH5497		1	1						
18	Seat assembly—bucket seat less cushion—L.H. (Black with White piping)	AFH5495		1	1						
19	Seat assembly—bucket seat less cushion—L.H. (Green with Green piping)	AFH5491		1	1						
20	Seat assembly—bucket seat less cushion—L.H. (Grey with Grey piping)	AFH5493		1	1						
21	Seat assembly—bucket seat less cushion—L.H. (Black with Green piping)	AFH5499		1	1				Fin. (C) 2291		
22	Seat assembly—bucket seat less cushion—L.H. (Black with Blue piping)	AFH5501		1	1						
23	Seat assembly—bucket seat less cushion—L.H. (Beige with Beige piping)			1	1			AFH6719			
24	Seat assembly—bucket seat less cushion—L.H. (Black with Blue piping)			1	1			AFH6721	Com. (C) 2292		

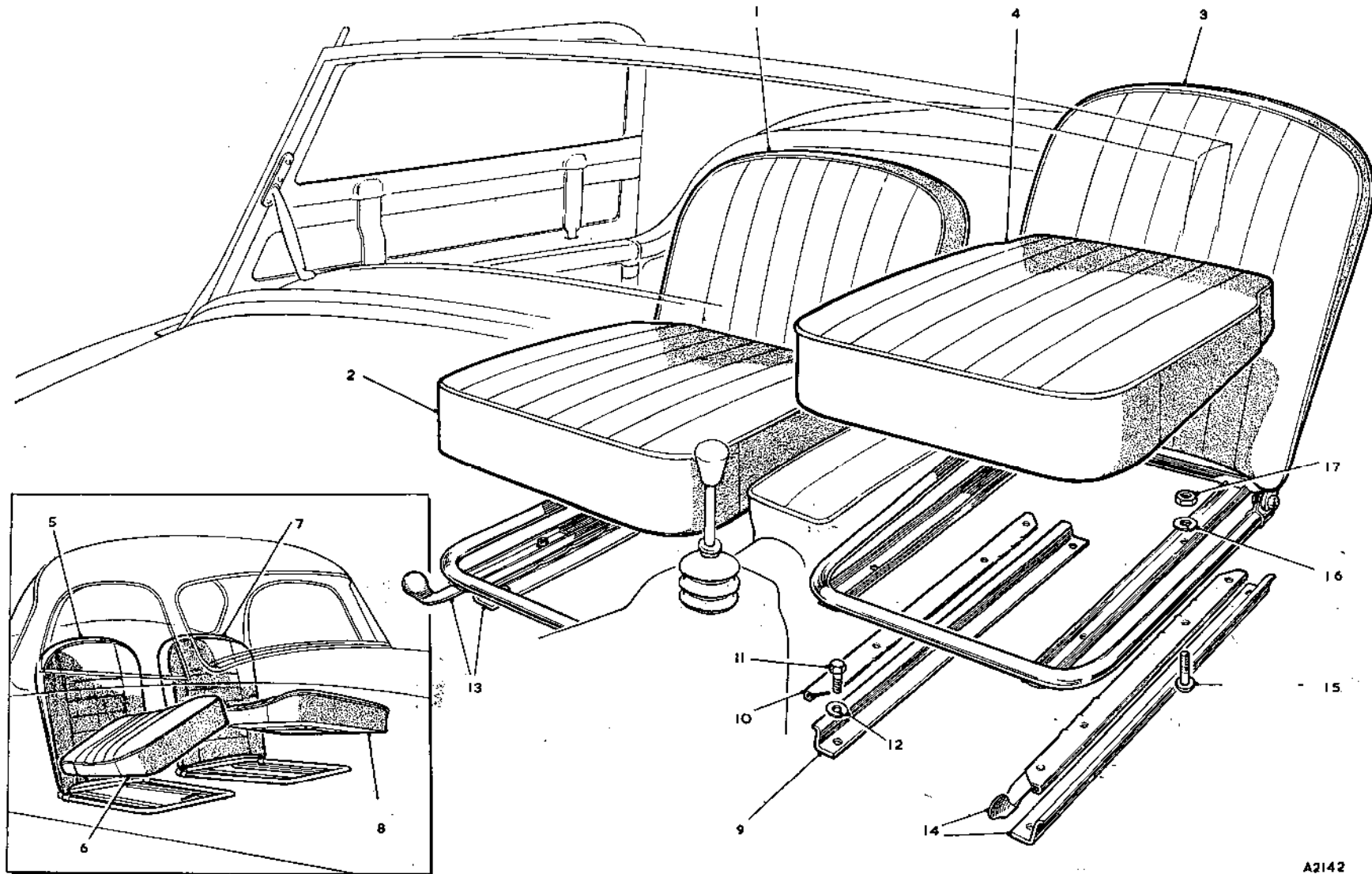
SERVICE PARTS LIST

THE M.G. Series MGA TWIN CAM

Item No.	DESCRIPTION	Commencing (C) 501		Qty. per Vehicle		Unit of Issue	Type of Vehicle	MODIFICATIONS			REMARKS
		Part Number	Illus. No.	RHD	LHD			New Part Number	Change Point	Amdt. No.	
	Seats and Seat Fittings—continued										
1	Squab assembly—bucket seat—L.H. (Red with Red piping)	AFH4637		1	1						
2	Squab assembly—bucket seat—L.H. (Black with Red piping)	AFH5521		1	1						
3	Squab assembly—bucket seat—L.H. (Black with White piping)	AFH5519		1	1						
4	Squab assembly—bucket seat—L.H. (Green with Green piping)	AFH5515		1	1						
5	Squab assembly—bucket seat—L.H. (Grey with Grey piping)	AFH5517		1	1						
6	Squab assembly—bucket seat—L.H. (Black with Green piping)	AFH5523		1	1				Fin. (C) 2291		
7	Squab assembly—bucket seat—L.H. (Black with Blue piping)	AFH5425		1	1						
8	Squab assembly—bucket seat—L.H. (Beige with Beige piping)			1	1			AFH6727			
9	Squab assembly—bucket seat—L.H. (Black with Blue piping)			1	1			AFH6729	Com. (C) 2292		
10	Cover assembly—bucket seat squab—L.H. (Red with Red piping)	AFH4641		1	1						
11	Cover assembly—bucket seat squab—L.H. (Black with Red piping)	AFH5545		1	1						
12	Cover assembly—bucket seat squab—L.H. (Black with White piping)	AFH5543		1	1		Coupe				
13	Cover assembly—bucket seat squab—L.H. (Green with Green piping)	AFH5539		1	1						
14	Cover assembly—bucket seat squab—L.H. (Grey with Grey piping)	AFH5341		1	1						
15	Cover assembly—bucket seat squab—L.H. (Black with Green piping)	AFH5547		1	1				Fin. (C) 2291		
16	Cover assembly—bucket seat squab—L.H. (Black with Blue piping)	AFH5549		1	1						
17	Cover assembly—bucket seat squab—L.H. (Beige with Beige piping)			1	1			AFH6735			
18	Cover assembly—bucket seat squab—L.H. (Black with Blue piping)			1	1			AFH6737	Com. (C) 2292		
19	Cushion assembly—bucket seat—L.H. (Red with Red piping)	AFH4635	RL8	1	1						
20	Cushion assembly—bucket seat—L.H. (Black with Red piping)	AFH5509		1	1						
21	Cushion assembly—bucket seat—L.H. (Black with White piping)	AFH5507		1	1						
22	Cushion assembly—bucket seat—L.H. (Green with Green piping)	AFH5503		1	1						
23	Cushion assembly—bucket seat—L.H. (Grey with Grey piping)	AFH5505		1	1						
24	Cushion assembly—bucket seat—L.H. (Black with Green piping)	AFH5511		1	1				Fin. (C) 2291		
25	Cushion assembly—bucket seat—L.H. (Black with Blue piping)	AFH5513		1	1						



A2142



A2142

SERVICE PARTS LIST

THE M.G. Series MGA TWIN CAM

Item No.	DESCRIPTION	Commencing (C) 501		Qty. per Vehicle		Unit of Issue	Type of Vehicle	MODIFICATIONS			REMARKS
		Part Number	Illus. No.	RHD	LHD			New Part Number	Change Point	Amdt. No.	
	Seats and Seat Fittings—continued										
1	Cushion assembly—bucket seat—L.H. (Beige with Beige piping)			1	1		Coupé	AFH6723] Com. (C) 2292		
2	Cushion assembly—bucket seat—L.H. (Black with Blue piping)			1	1			AFH6725			
3	Cover assembly—bucket seat cushion—L.H. (Red with Red piping)	AFH4639		1	1						
4	Cover assembly—bucket seat cushion—L.H. (Black with Red piping)	AFH5533		1	1						
5	Cover assembly—bucket seat cushion—L.H. (Black with White piping)	AFH5531		1	1						
6	Cover assembly—bucket seat cushion—L.H. (Green with Green piping)	AFH5527		1	1						
7	Cover assembly—bucket seat cushion—L.H. (Grey with Grey piping)	AFH5529		1	1						
8	Cover assembly—bucket seat cushion—L.H. (Black with Green piping)	AFH5535		1	1				Fin. (C) 2291		
9	Cover assembly—bucket seat cushion—L.H. (Black with Blue piping)	AFH5537		1	1						
10	Cover assembly—bucket seat cushion—L.H. (Beige with Beige piping)			1	1				AFH6731] Com. (C) 2292	
11	Cover assembly—bucket seat cushion—L.H. (Black with Blue piping)			1	1				AFH6733		
12	Rail—seat—floor rack	AHH5509	RL9	4	4						
13	Slide—seat catch	AHH5510	RL10	2	2						
14	Screw—seat rail to floor	HPZ0405	RL11	8	8						
15	Washer (spring)	LWZ204	RL12	8	8	12					
16	Slide assembly—seat catch—R.H.	AHH5511	RL13	1	1						
17	Slide assembly—seat catch—L.H.	AHH5512	RL14	1	1						
18	Screw—seat to runner	CMZ0410	RL15	16	16						
19	Washer (spring)	LWZ204	RL16	16	16	12					
20	Nut for screw	FNZ104	RL17	16	16						

SERVICE PARTS LIST

THE M.G. Series MGA TWIN CAM

Item No.	DESCRIPTION	Commencing (C) 501		Qty. per Vehicle		Unit of Issue	Type of Vehicle	MODIFICATIONS			REMARKS
		Part Number	Illus. No.	RHD	LHD			New Part Number	Change Point	Amdt. No.	
	DE-LUXE SEATS (Optional Extra)										
1	Seat assembly—bucket—R.H. (Red with Red piping)	AFH5666		1	1] If this seat is requested after car delivery, 1 off floorboard—R.H. AHH5748, 8 off screws CMZ0420 are to be supplied also
2	Seat assembly—bucket—R.H. (Black with Red piping)	AFH5674		1	1						
3	Seat assembly—bucket—R.H. (Black with White piping)	AFH5672		1	1						
4	Seat assembly—bucket—R.H. (Green with Green piping)	AFH5668		1	1						
5	Seat assembly—bucket—R.H. (Grey with Grey piping)	AFH5670		1	1			Fin. (C) 2192			
6	Seat assembly—bucket—R.H. (Black with Green piping)	AFH5676		1	1						
7	Seat assembly—bucket—R.H. (Black with Blue piping)	AFH6560		1	1						
8	Seat assembly—bucket—R.H. (Beige with Beige piping)			1	1			AFH6774	Com. (C) 2193		
9	Seat assembly—bucket—R.H. (Black with Blue piping)			1	1			AFH6776			
10	Frame assembly—bucket seat—R.H.	AFH5478		1	1						
11	Squab assembly—bucket seat—R.H. (Red with Red piping)	AFH5680		1	1						
12	Squab assembly—bucket seat—R.H. (Black with Red piping)	AFH5688		1	1						
13	Squab assembly—bucket seat—R.H. (Black with White piping)	AFH5686		1	1						
14	Squab assembly—bucket seat—R.H. (Green with Green piping)	AFH5682		1	1						
15	Squab assembly—bucket seat—R.H. (Grey with Grey piping)	AFH5684		1	1						
16	Squab assembly—bucket seat—R.H. (Black with Green piping)	AFH5690		1	1				Fin. (C) 2192		
17	Squab assembly—bucket seat—R.H. (Black with Blue piping)	AFH6562		1	1						
18	Squab assembly—bucket seat—R.H. (Beige with Beige piping)			1	1			AFH6778			
19	Squab assembly—bucket seat—R.H. (Black with Blue piping)			1	1			AFH6780	Com. (C) 2193		
20	Cover assembly—bucket seat squab—R.H. (Red with Red piping)	AFH5708		1	1						
21	Cover assembly—bucket seat squab—R.H. (Black with Red piping)	AFH5716		1	1						
22	Cover assembly—bucket seat squab—R.H. (Black with White piping)	AFH5714		1	1						
23	Cover assembly—bucket seat squab—R.H. (Green with Green piping)	AFH5710		1	1						
24	Cover assembly—bucket seat squab—R.H. (Grey with Grey piping)	AFH5712		1	1				Fin. (C) 2192		

SERVICE PARTS LIST

THE M.G. Series MGA TWIN CAM

Item No.	DESCRIPTION	Commencing (C) 501		Qty. per Vehicle		Unit of Issue	Type of Vehicle	MODIFICATIONS			REMARKS
		Part Number	Illus. No.	RHD	LHD			New Part Number	Change Point	Amdt. No.	
	De-luxe Seats—continued										
1	Cover assembly—bucket seat squab—R.H. (Black with Green piping)	AFH5718		1	1						
2	Cover assembly—bucket seat squab—R.H. (Black with Blue piping)	AFH6566		1	1				Fin. (C) 2192		
3	Cover assembly—bucket seat squab—R.H. (Beige with Beige piping)			1	1			AFH6786			
4	Cover assembly—bucket seat squab—R.H. (Black with Blue piping)			1	1			AFH6788	Com. (C) 2193		
5	Cushion assembly—bucket seat—R.H. (Red with Red piping)	AFH5694		1	1						
6	Cushion assembly—bucket seat—R.H. (Black with Red piping)	AFH5702		1	1						
7	Cushion assembly—bucket seat—R.H. (Black with White piping)	AFH5700		1	1						
8	Cushion assembly—bucket seat—R.H. (Green with Green piping)	AFH5696		1	1						
9	Cushion assembly—bucket seat—R.H. (Grey with Grey piping)	AFH5698		1	1						
10	Cushion assembly—bucket seat—R.H. (Black with Green piping)	AFH5704		1	1				Fin. (C) 2192		
11	Cushion assembly—bucket seat—R.H. (Black with Blue piping)	AFH6564		1	1						
12	Cushion assembly—bucket seat—R.H. (Beige with Beige piping)			1	1			AFH6782			
13	Cushion assembly—bucket seat—R.H. (Black with Blue piping)			1	1			AFH6784	Com. (C) 2193		
14	Cover assembly—bucket seat cushion—R.H. (Red with Red piping)	AFH5722		1	1						
15	Cover assembly—bucket seat cushion—R.H. (Black with Red piping)	AFH5730		1	1						
16	Cover assembly—bucket seat cushion—R.H. (Black with White piping)	AFH5728		1	1						
17	Cover assembly—bucket seat cushion—R.H. (Green with Green piping)	AFH5724		1	1						
18	Cover assembly—bucket seat cushion—R.H. (Grey with Grey piping)	AFH5726		1	1				Fin. (C) 2192		
19	Cover assembly—bucket seat cushion—R.H. (Black with Green piping)	AFH5732		1	1						
20	Cover assembly—bucket seat cushion—R.H. (Black with Blue piping)	AFH6568		1	1						
21	Cover assembly—bucket seat cushion—R.H. (Beige with Beige piping)			1	1			AFH6790			
22	Cover assembly—bucket seat cushion—R.H. (Black with Blue piping)			1	1			AFH6792	Com. (C) 2193		

SERVICE PARTS LIST

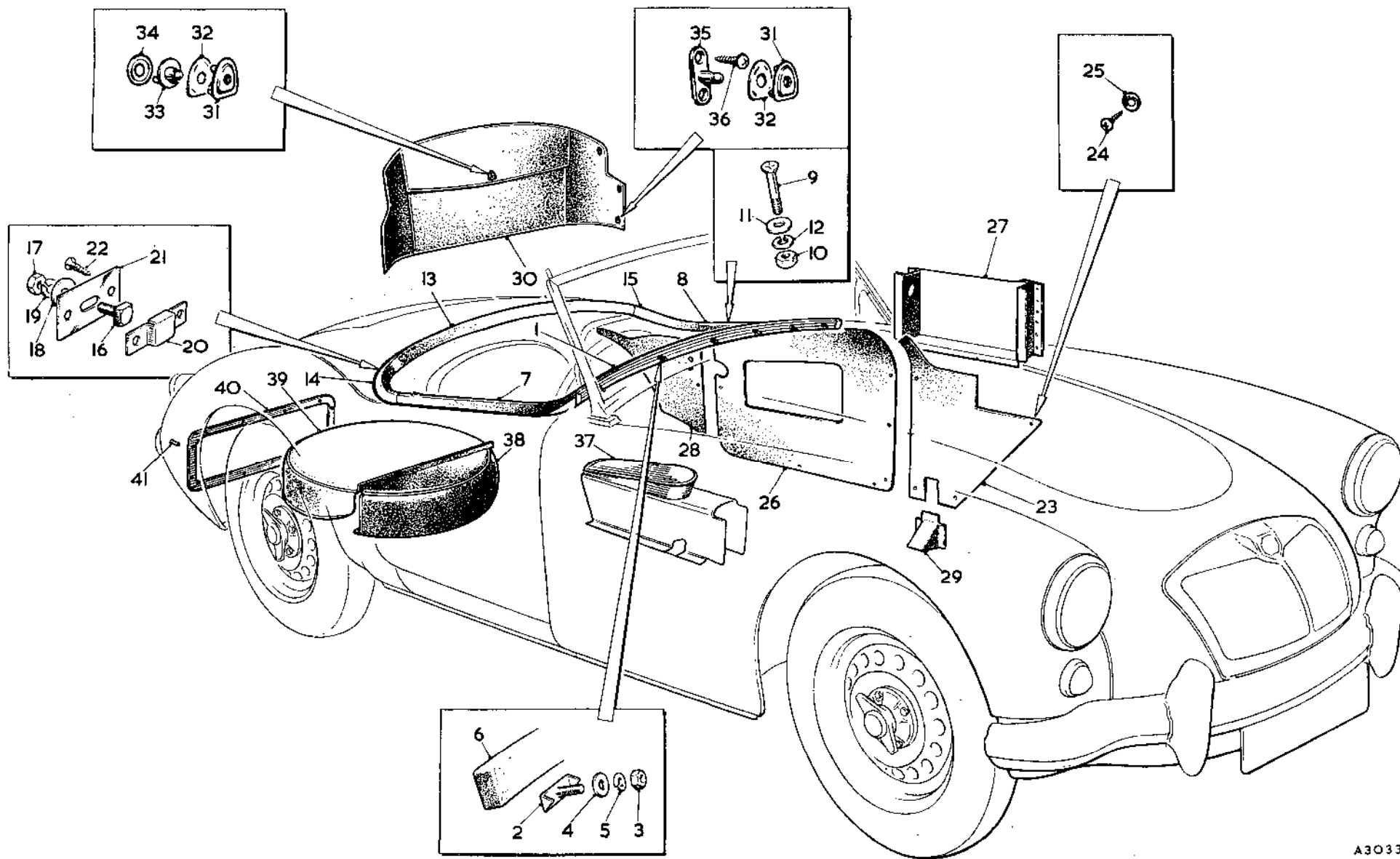
THE M.G. Series MGA TWIN CAM

Item No.	DESCRIPTION	Commencing (C) 501		Qty. per Vehicle		Unit of Issue	Type of Vehicle	MODIFICATIONS			REMARKS
		Part Number	Illus. No.	RHD	LHD			New Part Number	Change Point	Amdt. No.	
	De-luxe Seats—continued										
1	Seat assembly—bucket—L.H. (Red with Red piping)	AFH5667		1	1						If this seat is requested after car delivery, 1 off floorboard—L.H. AHH5749, 8 off screws CMZ0420 are to be supplied also
2	Seat assembly—bucket—L.H. (Black with Red piping)	AFH5675		1	1						
3	Seat assembly—bucket—L.H. (Black with White piping)	AFH5673		1	1						
4	Seat assembly—bucket—L.H. (Green with Green piping)	AFH5669		1	1						
5	Seat assembly—bucket—L.H. (Grey with Grey piping)	AFH5671		1	1			Fin. (C) 2192			
6	Seat assembly—bucket—L.H. (Black with Green piping)	AFH5677		1	1						
7	Seat assembly—bucket—L.H. (Black with Blue piping)	AFH6501		1	1						
8	Seat assembly—bucket—L.H. (Beige with Beige piping)			1	1			AFH6775	Com. (C) 2193		
9	Seat assembly—bucket—L.H. (Black with Blue piping)			1	1			AFH6777			
10	Frame assembly—bucket seat—L.H.	AFH5479		1	1						
11	Squab assembly—bucket seat—L.H. (Red with Red piping)	AFH5681		1	1						
12	Squab assembly—bucket seat—L.H. (Black with Red piping)	AFH5689		1	1						
13	Squab assembly—bucket seat—L.H. (Black with White piping)	AFH5687		1	1						
14	Squab assembly—bucket seat—L.H. (Green with Green piping)	AFH5683		1	1						
15	Squab assembly—bucket seat—L.H. (Grey with Grey piping)	AFH5685		1	1						
16	Squab assembly—bucket seat—L.H. (Black with Green piping)	AFH5691		1	1				Fin. (C) 2192		
17	Squab assembly—bucket seat—L.H. (Black with Blue piping)	AFH6563		1	1						
18	Squab assembly—bucket seat—L.H.—(Beige with Beige piping)			1	1			AFH6779			
19	Squab assembly—bucket seat—L.H. (Black with Blue piping)			1	1			AFH6781	Com. (C) 2193		
20	Cover assembly—bucket seat squab—L.H. (Red with Red piping)	AFH5709		1	1						
21	Cover assembly—bucket seat squab—L.H. (Black with Red piping)	AFH5717		1	1						
22	Cover assembly—bucket seat squab—L.H. (Black with White piping)	AFH5715		1	1						
23	Cover assembly—bucket seat squab—L.H. (Green with Green piping)	AFH5711		1	1						
24	Cover assembly—bucket seat squab—L.H. (Grey with Grey piping)	AFH5713		1	1				Fin. (C) 2192		

SERVICE PARTS LIST

THE M.G. Series MGA TWIN CAM

Item No.	DESCRIPTION	Commencing (C) 501		Qty. per Vehicle		Unit of Issue	Type of Vehicle	MODIFICATIONS			REMARKS
		Part Number	Illus. No.	RHD	LHD			New Part Number	Change Point	Amdt. No.	
	De-luxe Seats—continued										
1	Cover assembly—bucket seat squab—L.H. (Black with Green piping)	AFH5719		1	1						
2	Cover assembly—bucket seat squab—L.H. (Black with Blue piping)	AFH6567		1	1				Fin. (C) 2192		
3	Cover assembly—bucket seat squab—L.H. (Beige with Beige piping)			1	1			AFH6787			
4	Cover assembly—bucket seat squab—L.H. (Black with Blue piping)			1	1			AFH6789	Com. (C) 2193		
5	Cushion assembly—bucket seat—L.H. (Red with Red piping)	AFH5695		1	1						
6	Cushion assembly—bucket seat—L.H. (Black with Red piping)	AFH5703		1	1						
7	Cushion assembly—bucket seat—L.H. (Black with White piping)	AFH5701		1	1						
8	Cushion assembly—bucket seat—L.H. (Green with Green piping)	AFH5697		1	1						
9	Cushion assembly—bucket seat—L.H. (Grey with Grey piping)	AFH5699		1	1						
10	Cushion assembly—bucket seat—L.H. (Black with Green piping)	AFH5705		1	1				Fin. (C) 2192		
11	Cushion assembly—bucket seat—L.H. (Black with Blue piping)	AFH6565		1	1						
12	Cushion assembly—bucket seat—L.H. (Beige with Beige piping)			1	1						
13	Cushion assembly—bucket seat—L.H. (Black with Blue piping)			1	1			AFH6788	Com. (C) 2193		
14	Cover assembly—bucket seat cushion—L.H. (Red with Red piping)	AFH5723		1	1			AFH6785			
15	Cover assembly—bucket seat cushion—L.H. (Black with Red piping)	AFH5731		1	1						
16	Cover assembly—bucket seat cushion—L.H. (Black with White piping)	AFH5729		1	1						
17	Cover assembly—bucket seat cushion—L.H. (Green with Green piping)	AFH5725		1	1						
18	Cover assembly—bucket seat cushion—L.H. (Grey with Grey piping)	AFH5727		1	1						
19	Cover assembly—bucket seat cushion—L.H. (Black with Green piping)	AFH5733		1	1				Fin. (C) 2192		
20	Cover assembly—bucket seat cushion—L.H. (Black with Blue piping)	AFH6569		1	1						
21	Cover assembly—bucket seat cushion—L.H. (Beige with Beige piping)			1	1			AFH6791			
22	Cover assembly—bucket seat cushion—L.H. (Black with Blue piping)			1	1			AFH6793	Com. (C) 2193		



A3033

SERVICE PARTS LIST

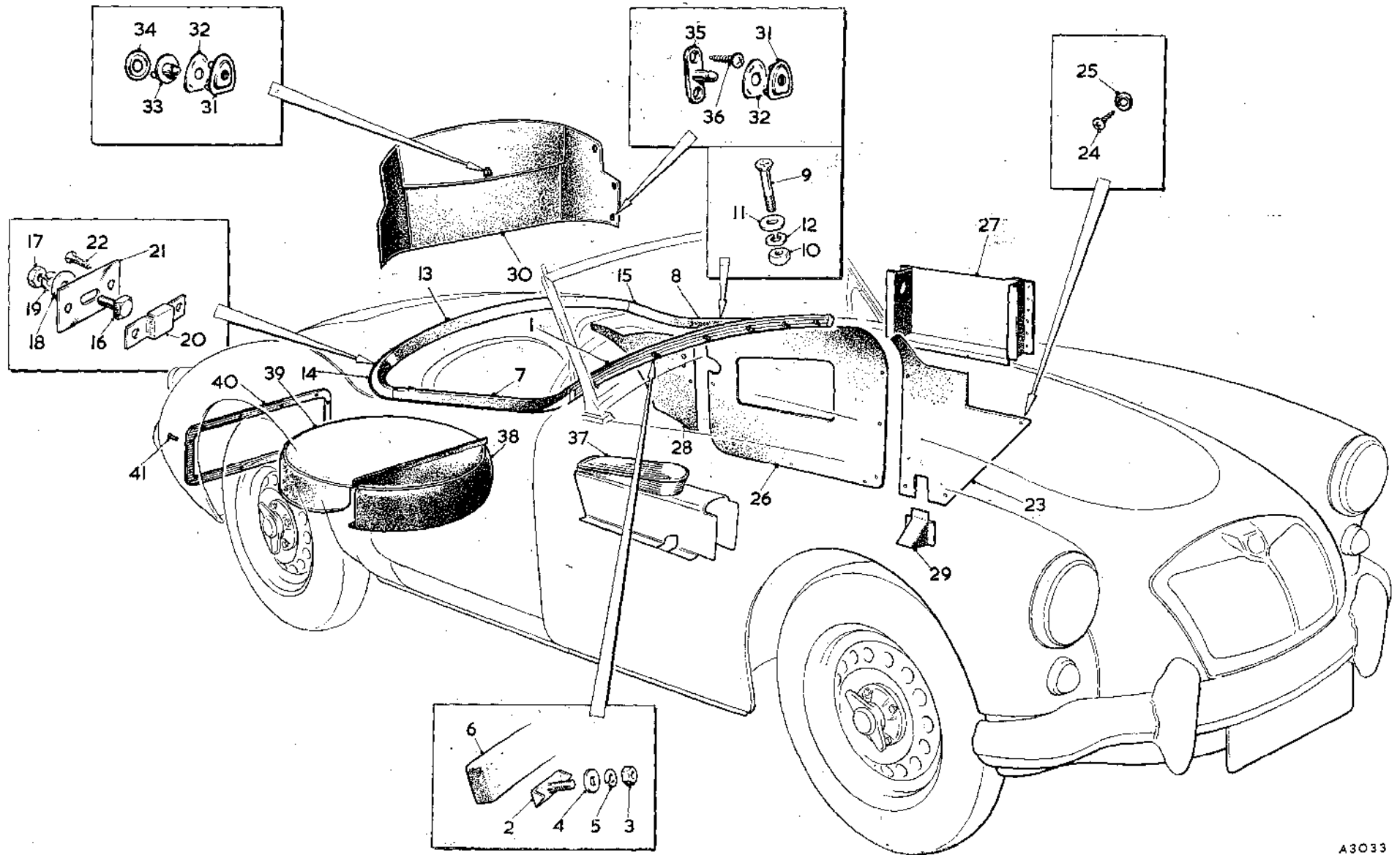
THE M.G. Series MGA TWIN CAM

Item No.	DESCRIPTION	Commencing (C) 501		Qty. per Vehicle		Unit of Issue	Type of Vehicle	MODIFICATIONS			REMARKS
		Part Number	Illus. No.	RHD	LHD			New Part Number	Change Point	Amdt. No.	
	TRIMMING										
1	Trim roll assembly—dash (Red with Red piping)	AFH3740	RM1	1	1		Tourer				
2	Trim roll assembly—dash (Black with Red piping)	AFH6470		1	1						
3	Trim roll assembly—dash (Black with White piping)	AFH6473		1	1						
4	Trim roll assembly—dash (Green with Green piping)	AFH6468		1	1						
5	Trim roll assembly—dash (Grey with Grey piping)	AFH6469		1	1				Fin. (C) 2192		
6	Trim roll assembly—dash (Black with Green piping)	AFH6471		1	1						
7	Trim roll assembly—dash (Black with Grey piping)	AFH6472		1	1						
8	Trim roll assembly—dash (Beige with Beige piping)			1	1						
9	Trim roll assembly—dash (Black with Blue piping)			1	1				AFH6694	Com. (C) 2193	
10	Bolt fixing dash trim roll (claw head)	AFH1900	RM2	6	6				AFH6695		
11	Nut for bolt	FNZ103	RM3	6	6						
12	Washer for nut (plain)	PWZ203	RM4	6	6						
13	Washer for nut (spring)	LWZ203	RM5	6	6						
14	Rubber--dash trim roll surround	AFH1846	RM6	1	1						
15	Trim roll assembly—door—R.H. (Red with Red piping)	AFH3742	RM7	1	1						
16	Trim roll assembly—door—R.H. (Black with Red piping)	AFH6496		1	1						
17	Trim roll assembly—door—R.H. (Black with White piping)	AFH6502		1	1						
18	Trim roll assembly—door—R.H. (Green with Green piping)	AFH6492		1	1						
19	Trim roll assembly—door—R.H. (Grey with Grey piping)	AFH6494		1	1					Fin. (C) 2192	
20	Trim roll assembly—door—R.H. (Black with Green piping)	AFH6498		1	1						
21	Trim roll assembly—door—R.H. (Black with Grey piping)	AFH6500		1	1						
22	Trim roll assembly—door—R.H. (Beige with Beige piping)			1	1						
23	Trim roll assembly—door—R.H. (Black with Blue piping)			1	1				AFH6702	Com. (C) 2193	
24	Trim roll assembly—door—L.H. (Red with Red piping)	AFH3743	RM8	1	1				AFH6704		
25	Trim roll assembly—door—L.H. (Black with Red piping)	AFH6497		1	1						
26	Trim roll assembly—door—L.H. (Black with White piping)	AFH6503		1	1						

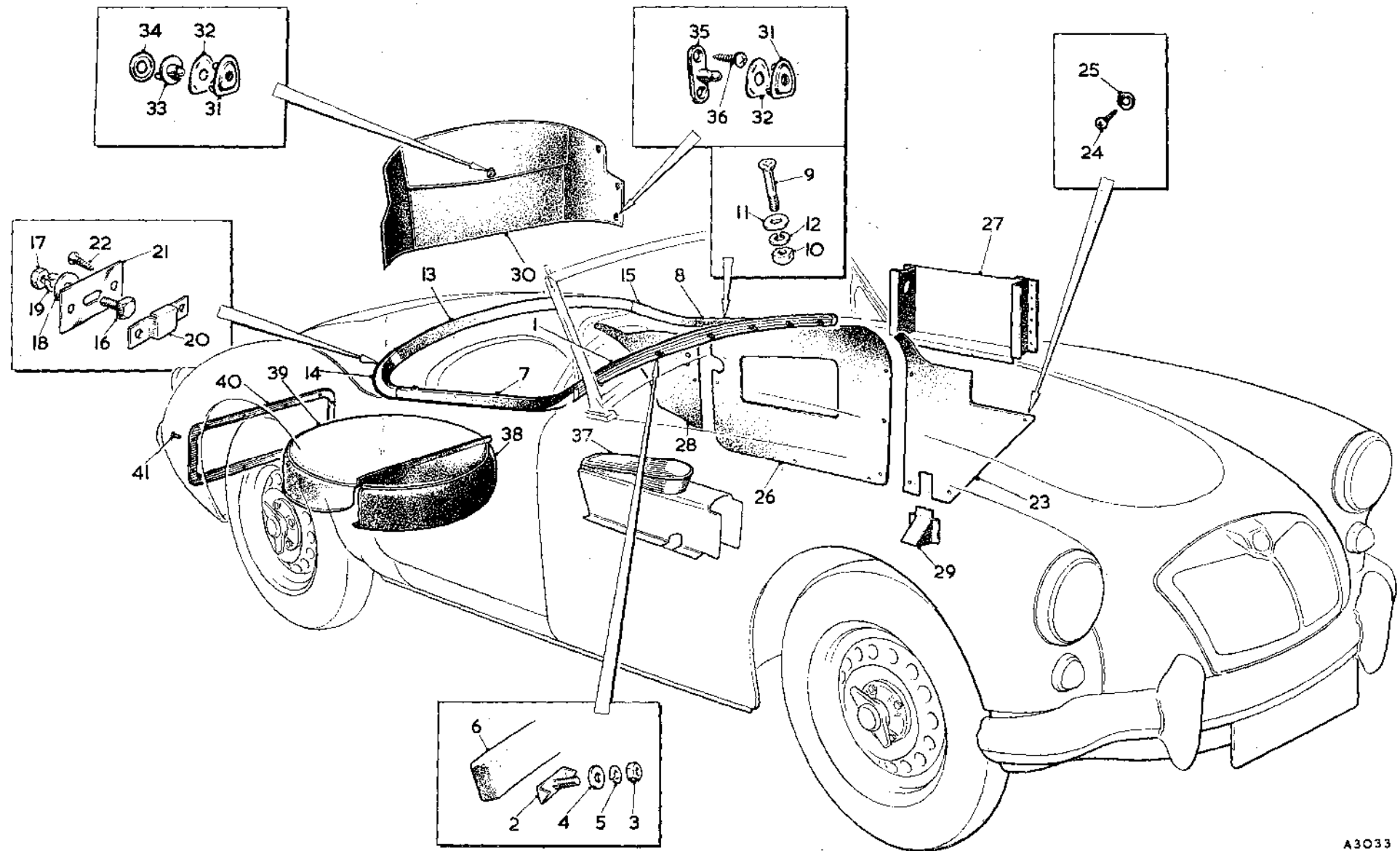
SERVICE PARTS LIST

THE M G. Series MGA TWIN CAM

Item No.	DESCRIPTION	Commencing (C) 501		Qty. per Vehicle		Unit of Issue	Type of Vehicle	MODIFICATIONS			REMARKS
		Part Number	Illus. No.	RHD	LHD			New Part Number	Change Point	Amdt. No.	
	Trimming—continued										
1	Trim roll assembly—door—L.H. (Green with Green piping)	AFH6493		1	1						
2	Trim roll assembly—door—L.H. (Grey with Grey piping)	AFH6495		1	1				Fin. (C) 2192		
3	Trim roll assembly—door—L.H. (Black with Green piping)	AFH6499		1	1						
4	Trim roll assembly—door—L.H. (Black with Grey piping)	AFH6501		1	1						
5	Trim roll assembly—door—L.H. (Beige with Beige piping)			1	1			AFH6703	Com. (C) 2193		
6	Trim roll assembly—door—L.H. (Black with Blue piping)			1	1			AFH6705			
7	Screw fixing door trim roll	CMZ0320	RM9	6	6						
8	Nut for screw	FNZ103	RM10	6	6						
9	Washer for nut (plain)	PWZ203	RM11	6	6						
10	Washer for nut (spring)	LWZ203	RM12	6	6						
11	Trim roll assembly—rear—centre (Red with Red piping)	AFH3741	RM13	1	1						
12	Trim roll assembly—rear—centre (Black with Red piping)	AFH6476		1	1						
13	Trim roll assembly—rear—centre (Black with White piping)	AFH6479		1	1		Tourer				
14	Trim roll assembly—rear—centre (Green with Green piping)	AFH6474		1	1						
15	Trim roll assembly—rear—centre (Grey with Grey piping)	AFH6475		1	1				Fin. (C) 2192		
16	Trim roll assembly—rear—centre (Black with Green piping)	AFH6477		1	1						
17	Trim roll assembly—rear—centre (Black with Grey piping)	AFH6478		1	1						
18	Trim roll assembly—rear—centre (Beige with Beige piping)			1	1			AFH6696	Com. (C) 2193		
19	Trim roll assembly—rear—centre (Black with Blue piping)			1	1			AFH6697			
20	Trim roll assembly—rear—R.H. end (Red with Red piping)	AFH3744	RM14	1	1						
21	Trim roll assembly—rear—R.H. end (Black with Red piping)	AFH6484		1	1						
22	Trim roll assembly—rear—R.H. end (Black with White piping)	AFH6490		1	1						
23	Trim roll assembly—rear—R.H. end (Green with Green piping)	AFH6480		1	1						
24	Trim roll assembly—rear—R.H. end (Grey with Grey piping)	AFH6482		1	1				Fin. (C) 2192		
25	Trim roll assembly—rear—R.H. end (Black with Green piping)	AFH6486		1	1						
26	Trim roll assembly—rear—R.H. end (Black with Grey piping)	AFH6488		1	1						



A3033



A3033

SERVICE PARTS LIST

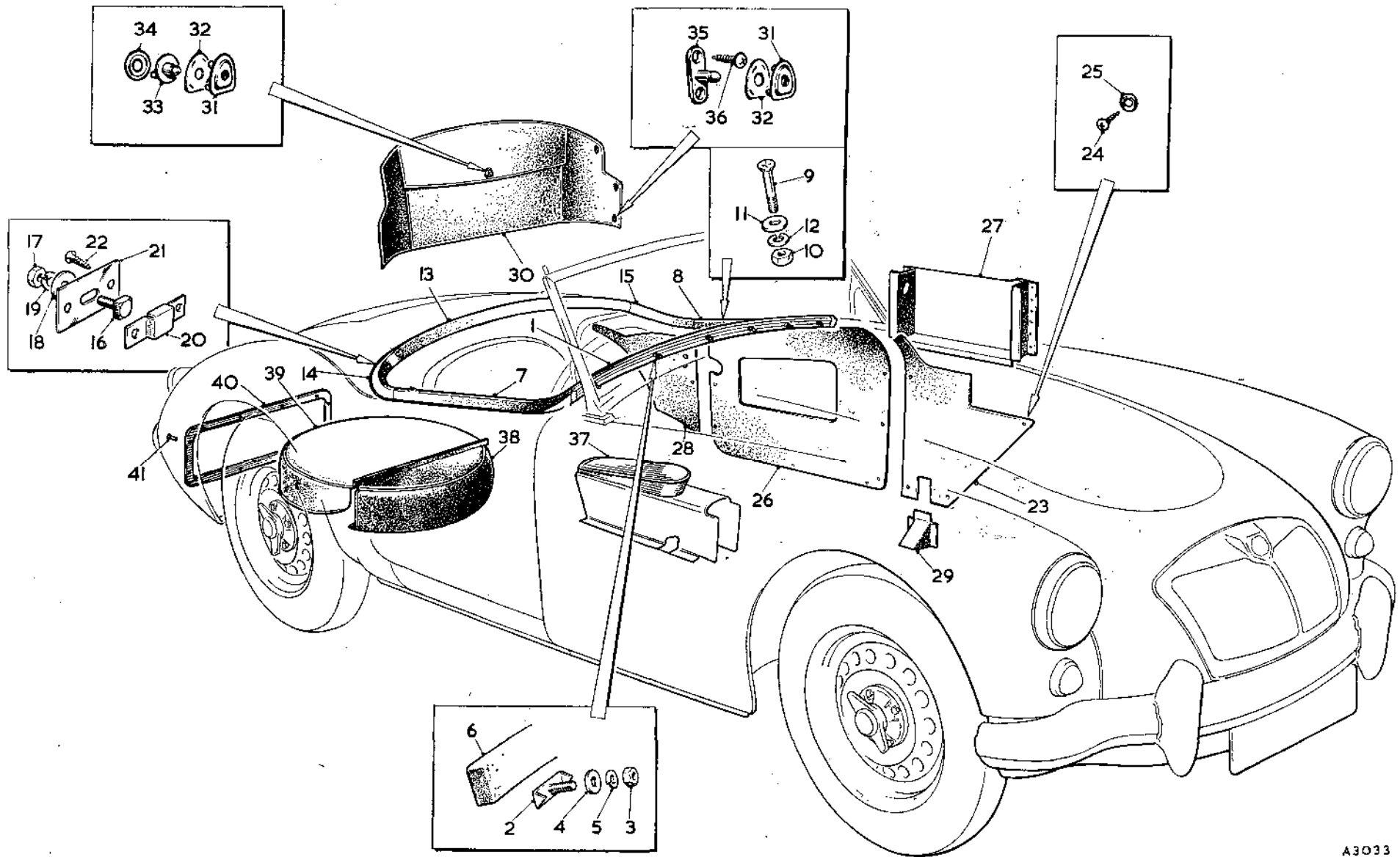
THE M.G. Series MGA TWIN CAM

Item No.	DESCRIPTION	Commencing (C) 501		Qty. per Vehicle		Unit of Issue	Type of Vehicle	MODIFICATIONS			REMARKS
		Part Number	Illus. No.	RHD	LHD			New Part Number	Change Point	Amdt. No.	
	Trimming—continued										
1	Trim roll assembly—rear—R.H. end (Beige with Beige piping)			1	1			AFH6698] Com. (C) 2193		
2	Trim roll assembly—rear—R.H. end (Black with Blue piping)			1	1			AFH6700			
3	Trim roll assembly—rear—L.H. end (Red with Red piping)	AFH3745	RM15	1	1						
4	Trim roll assembly—rear—L.H. end (Black with Red piping)	AFH6485		1	1						
5	Trim roll assembly—rear—L.H. end (Black with White piping)	AFH6491		1	1						
6	Trim roll assembly—rear—L.H. end (Green with Green piping)	AFH6481		1	1] Fin. (C) 2192		
7	Trim roll assembly—rear—L.H. end (Grey with Grey piping)	AFH6483		1	1						
8	Trim roll assembly—rear—L.H. end (Black with Green piping)	AFH6487		1	1						
9	Trim roll assembly—rear—L.H. end (Black with Grey piping)	AFH6489		1	1] Com. (C) 2193		
10	Trim roll assembly—rear—L.H. end (Beige with Beige piping)			1	1			AFH6699			
11	Trim roll assembly—rear—L.H. end (Black with Blue piping)			1	1			AFH6701			
12	Bolt fixing rear trim roll (special)	AFH2819	RM16	9	9						
13	Nut for bolt	FNZ103	RM17	9	9						
14	Washer for nut (plain)	PWZ203	RM18	9	9						
15	Washer for nut (spring)	LWZ203	RM19	9	9						
16	Retainer for bolt	AFH2820	RM20	9	9						
17	Base plate for retainer	AFH2821	RM21	9	9						
18	Screw fixing retainer	CTZ604	RM22	18	18		Tourer				
19	Liner assembly—dash side—R.H. (Red)	AFH2560		1	1						
20	Liner assembly—dash side—R.H. (Black)	AFH6508		1	1						
21	Liner assembly—dash side—R.H. (Green)	AFH6504		1	1] Fin. (C) 2192		
22	Liner assembly—dash side—R.H. (Grey)	AFH6506		1	1						
23	Liner assembly—dash side—R.H. (Beige)			1	1			AFH6706	Com. (C) 2193		
24	Liner assembly—dash side—L.H. (Red)	AFH2561	RM23	1	1						
25	Liner assembly—dash side—L.H. (Black)	AFH6509		1	1						
26	Liner assembly—dash side—L.H. (Green)	AFH6505		1	1] Fin. (C) 2192		
27	Liner assembly—dash side—L.H. (Grey)	AFH6507		1	1						
28	Liner assembly—dash side—L.H. (Beige)			1	1			AFH6707	Com. (C) 2193		
29	Screw fixing dash side liner	RTP404	RM24	10	10						
30	Washer for screw (cup)	7701	RM25	10	10						
31	Liner assembly—door—R.H. (Red)	AFH2562		1	1						
32	Liner assembly—door—R.H. (Black)	AFH6514		1	1						
33	Liner assembly—door—R.H. (Green)	AFH6510		1	1] Fin. (C) 2192		
34	Liner assembly—door—R.H. (Grey)	AFH6512		1	1						
35	Liner assembly—door—R.H. (Beige)			1	1			AFH6708	Com. (C) 2193		

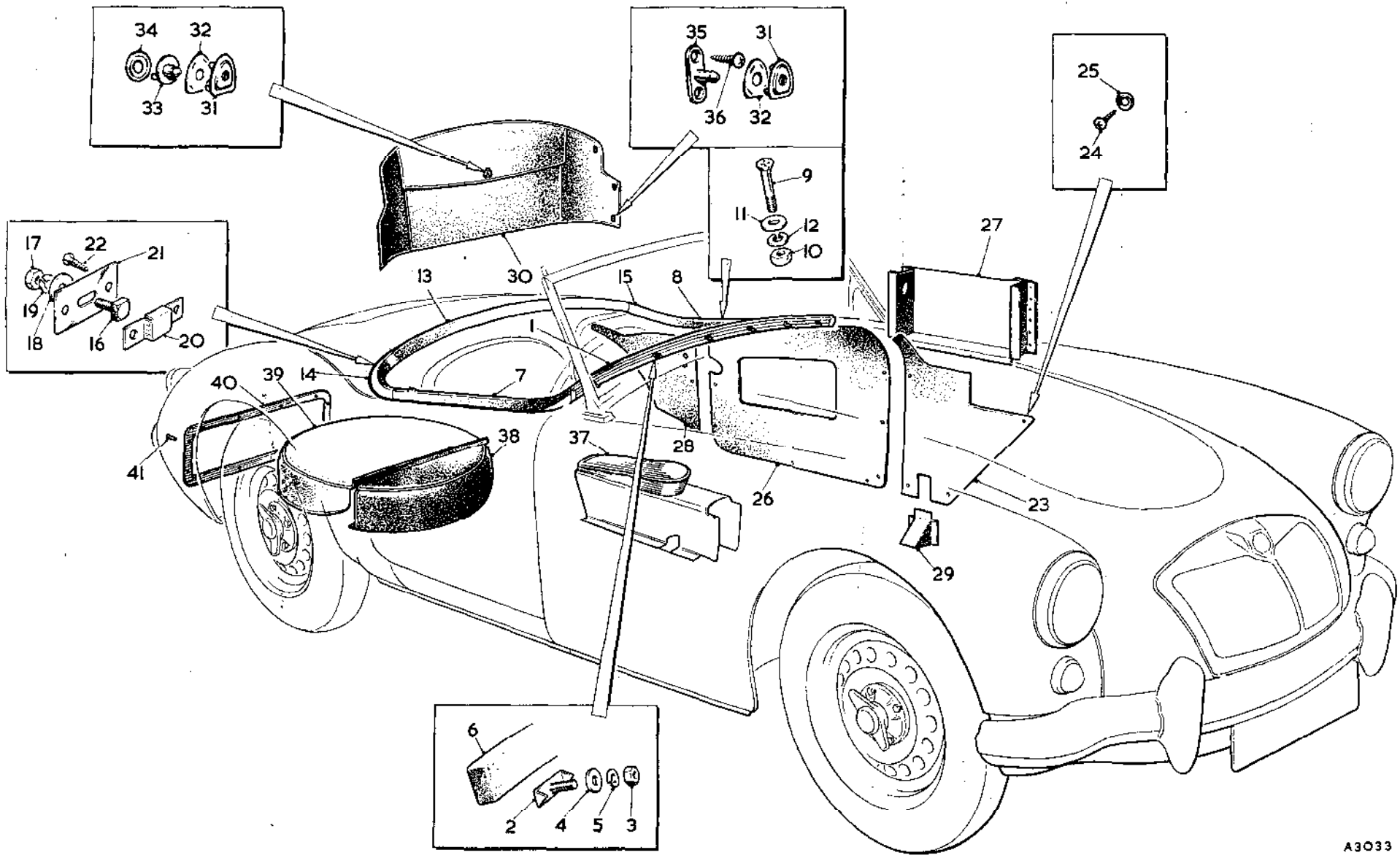
SERVICE PARTS LIST

THE M.G. Series MGA TWIN CAM

Item No.	DESCRIPTION	Commencing (C) 501		Qty. per Vehicle		Unit of Issue	Type of Vehicle	MODIFICATIONS			REMARKS
		Part Number	Illus. No.	RHD	LHD			New Part Number	Change Point	Amdd. No.	
	Trimming—continued										
1	Liner assembly—door—L.H. (Red)	AFH2563	RM26	1	1						
2	Liner assembly—door—L.H. (Black)	AFH6515		1	1						
3	Liner assembly—door—L.H. (Green)	AFH6511		1	1						
4	Liner assembly—door—L.H. (Grey)	AFH6513		1	1						
5	Liner assembly—door—L.H. (Beige)			1	1			AFH6709	Com. (C) 2193		
6	Screw fixing door liner ($\frac{3}{8}$ ")	RTP407		4	4						
7	Screw fixing door liner ($\frac{1}{2}$ ")	RTP404		22	22						
8	Washer for screw (cup)	7701		26	26						
9	Pocket assembly—door—R.H. (Red)	AFH2568		1	1						
10	Pocket assembly—door—R.H. (Black)	AFH6526		1	1						
11	Pocket assembly—door—R.H. (Green)	AFH6522		1	1						
12	Pocket assembly—door—R.H. (Grey)	AFH6524		1	1						
13	Pocket assembly—door—R.H. (Beige)			1	1			AFH6712	Com. (C) 2193		
14	Pocket assembly—door—L.H. (Red)	AFH2569	RM27	1	1						
15	Pocket assembly—door—L.H. (Black)	AFH6527		1	1						
16	Pocket assembly—door—L.H. (Green)	AFH6523		1	1						
17	Pocket assembly—door—L.H. (Grey)	AFH6525		1	1						
18	Pocket assembly—door—L.H. (Beige)			1	1			AFH6713	Com. (C) 2193		
19	Screw fixing door pocket	RTP404		24	24						
20	Liner assembly—rear quarter—R.H. (Red)	AFH2564		1	1						
21	Liner assembly—rear quarter—R.H. (Black)	AFH6520		1	1						
22	Liner assembly—rear quarter—R.H. (Green)	AFH6516		1	1						
23	Liner assembly—rear quarter—R.H. (Grey)	AFH6518		1	1		Tourer				
24	Liner assembly—rear quarter—R.H. (Beige)			1	1			AFH6710	Com. (C) 2193		
25	Liner assembly—rear quarter—L.H. (Red)	AFH2565	RM28	1	1						
26	Liner assembly—rear quarter—L.H. (Black)	AFH6521		1	1						
27	Liner assembly—rear quarter—L.H. (Green)	AFH6517		1	1						
28	Liner assembly—rear quarter—L.H. (Grey)	AFH6519		1	1						
29	Liner assembly—rear quarter—L.H. (Beige)			1	1			AFH6711	Com. (C) 2193		
30	Screw fixing rear quarter liner	RTP404		2	2						
31	Washer for screw (cup)	7701		2	2						
32	Cover assembly—dash side mounting (Red)	AFH2567	RM29	2	2						
33	Cover assembly—dash side mounting (Black)	AFH5608		2	2						
34	Cover assembly—dash side mounting (Green)	AFH5606		2	2						
35	Cover assembly—dash side mounting (Grey)	AFH5607		2	2						
36	Cover assembly—dash side mounting (Beige)			2	2			AFH6714	Com. (C) 2193		
37	Stowage assembly—sidescreen (Red)	AFH2570	RM30	1	1						
38	Stowage assembly—sidescreen (Black)	AFH5898		1	1						
39	Stowage assembly—sidescreen (Green)	AFH5896		1	1						
40	Stowage assembly—sidescreen (Grey)	AFH5897		1	1						
41	Stowage assembly—sidescreen (Beige)			1	1			AFH6715	Com. (C) 2193		
42	Fastener—lift-the-dot	7H9961	RM31	7	7						
43	Plate—clinch	7H9963	RM32	7	7						
44	Clinch—pronged	7H9964	RM33	1	1						
45	Plate—clinch	7H9960	RM34	1	1						
46	Stud for lift-the-dot fastener	97H499	RM35	6	6						
47	Screw—stud to body	RTP405	RM36	12	12						



A3033

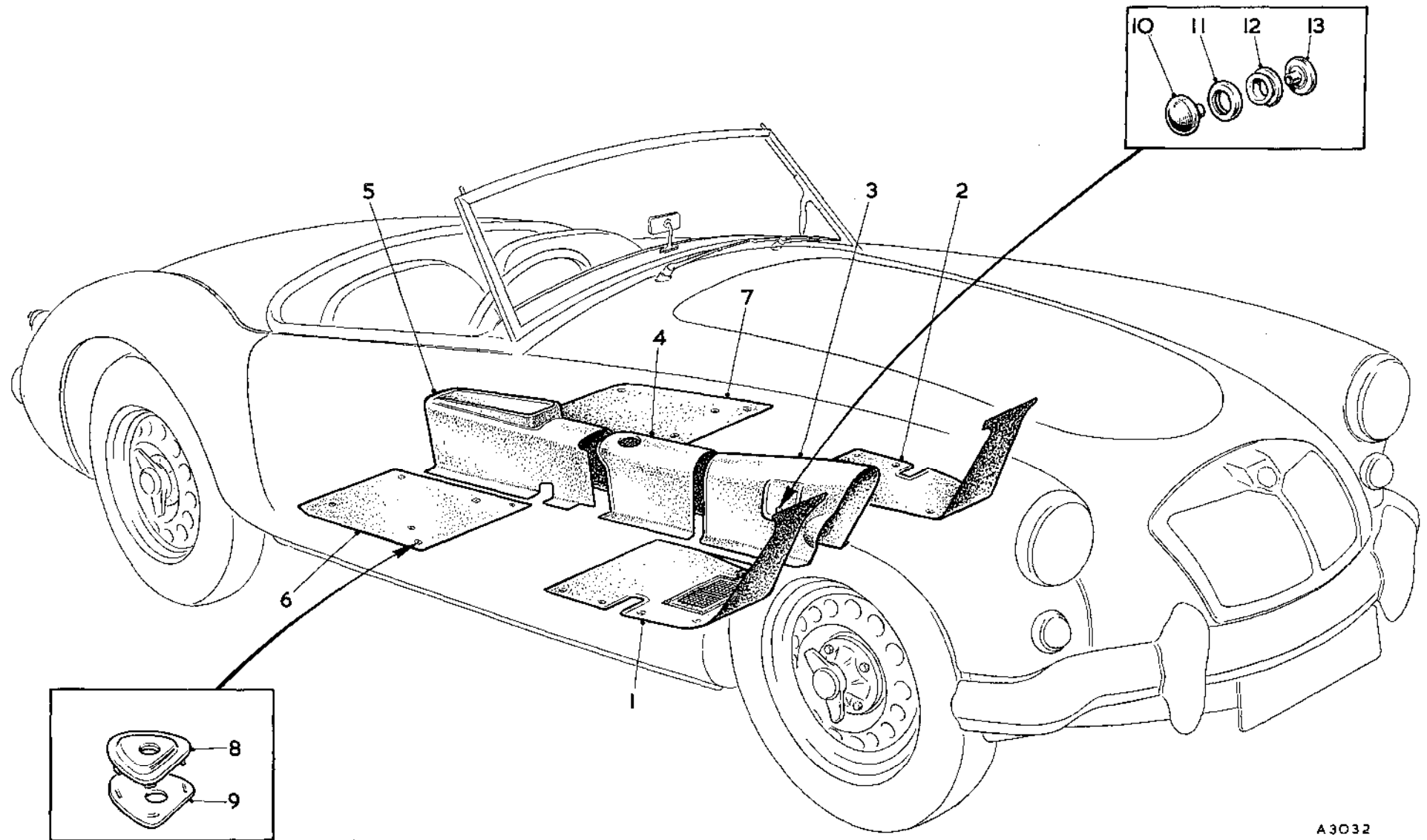


A3033

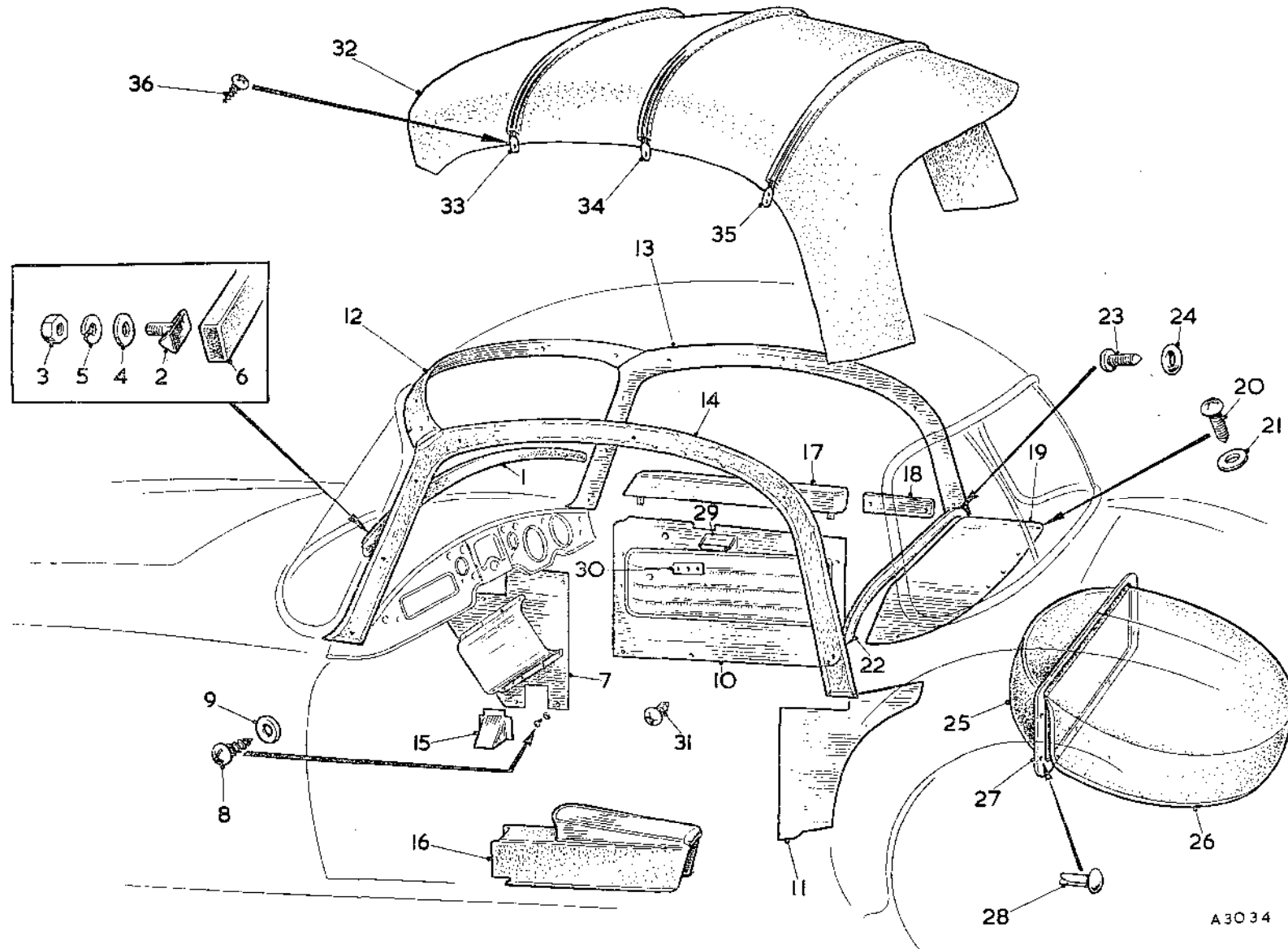
SERVICE PARTS LIST

THE M.G. Series MGA TWIN CAM

Item No.	DESCRIPTION	Commencing (C) 501		Qty. per Vehicle		Unit of Issue	Type of Vehicle	MODIFICATIONS			REMARKS	
		Part Number	Illus. No.	RHD	LHD			New Part Number	Change Point	Amdt. No.		
	Trimming—continued											
1	Carpet assembly—front—R.H. (Black)	AFH6528	RN1	1			Tourer					
2	Carpet assembly—front—L.H. (Black)	AFH4825	RN2	1								
3	Carpet assembly—front—R.H. (Black)	AFH6530			1							
4	Carpet assembly—front—L.H. (Black)	AFH4827			1							
5	Carpet assembly—tunnel—front (Black)	AFH6529	RN3	1	1							
6	Carpet assembly—tunnel—intermediate (Black)	AFH2474	RN4	1	1							
7	Carpet assembly—tunnel—rear (Black) and arm-rest assembly (Red with Red piping)	AFH1860	RN5	1	1							
8	Carpet assembly—tunnel—rear (Black) and arm-rest assembly (Black with Red piping)	AFH6546			1	1						
9	Carpet assembly—tunnel—rear (Black) and arm-rest assembly (Black with White piping)	AFH6549			1	1						
10	Carpet assembly—tunnel—rear (Black) and arm-rest assembly (Green with Green piping)	AFH6544			1	1						
11	Carpet assembly—tunnel—rear (Black) and arm-rest assembly (Grey with Grey piping)	AFH6545			1	1						
12	Carpet assembly—tunnel—rear (Black) and arm-rest assembly (Black with Green piping)	AFH6547			1	1				Fin. (C) 2192		
13	Carpet assembly—tunnel—rear (Black) and arm-rest assembly (Black with Grey piping)	AFH6548			1	1						
14	Carpet assembly—tunnel—rear (Black) and arm-rest assembly (Beige with Beige piping)				1	1						
15	Carpet assembly—tunnel—rear (Black) and arm-rest assembly (Black with Blue piping)				1	1		AFH6716				
16	Carpet assembly—rear—R.H. (Black)	AFH2466	RN6	1	1			AFH6717				
17	Carpet assembly—rear—L.H. (Black)	AFH2467	RN7	1	1							
18	Fastener—lift-the-dot	7H9962	RN8	16	16							
19	Plate—clinch	7H9963	RN9	16	16							
20	Button—durable dot	7H9864	RN10	1	1							
21	Socket—durable dot	7H9866	RN11	1	1							
22	Stud—durable dot	7H9867	RN12	1	1							
23	Eyelet—durable dot	7I19868	RN13	1	1							



A3032



SERVICE PARTS LIST

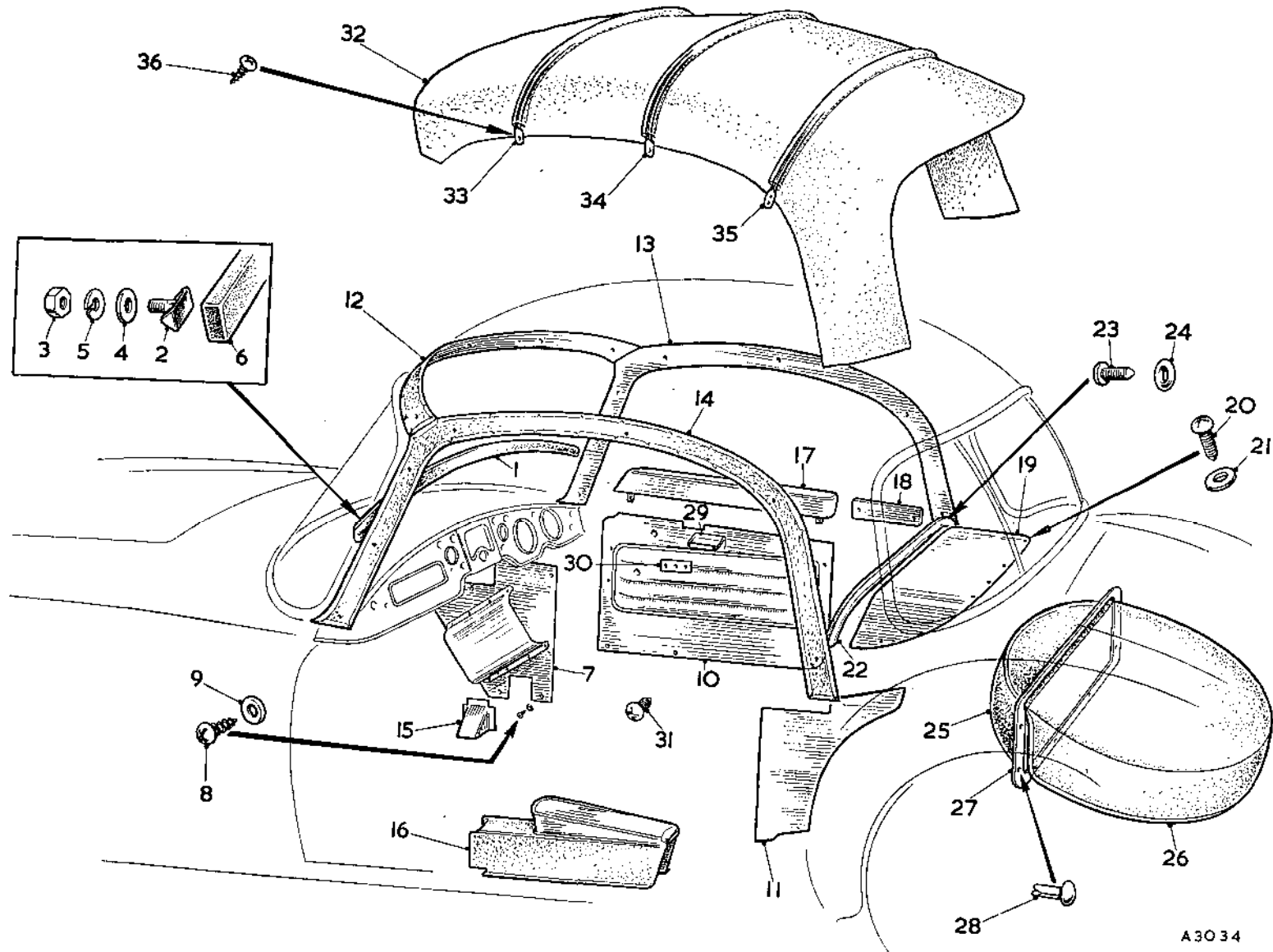
THE M.G. Series MGA TWIN CAM

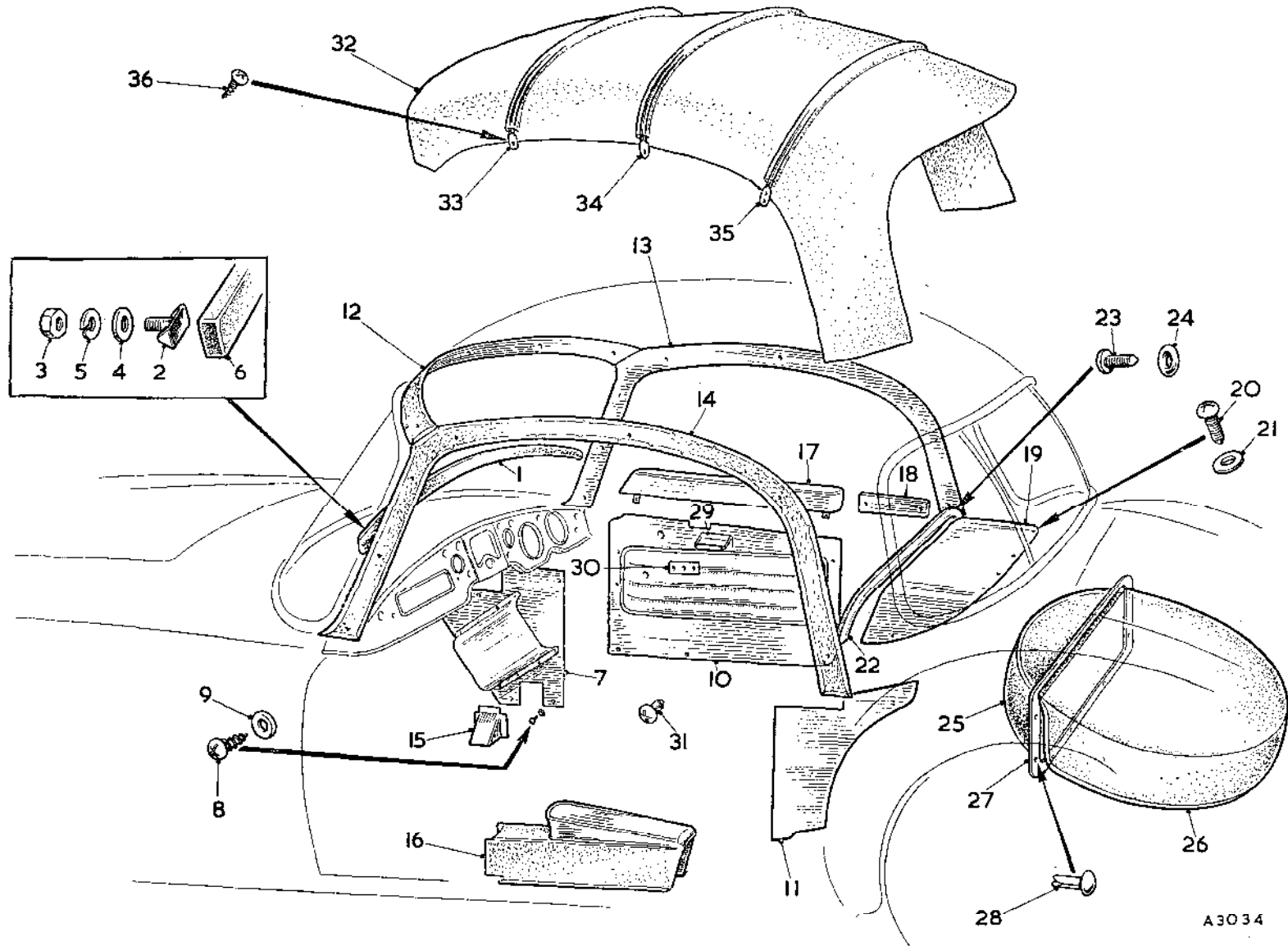
Item No.	DESCRIPTION	Commencing (C) 501		Qty. per Vehicle		Unit of Issue	Type of Vehicle	MODIFICATIONS			REMARKS
		Part Number	Illus. No.	RHD	LHD			New Part Number	Change Point	Amdt. No.	
	Trimming—continued										
1	Trim roll assembly—dash (Red with Red piping)	AFH4652	RO1	1	1						
2	Trim roll assembly—dash (Green with Green piping)	AFH5556		1	1						
3	Trim roll assembly—dash (Grey with Grey piping)	AFH5557		1	1						
4	Trim roll assembly—dash (Blue with Blue piping)	AFH5558		1	1				Fin. (C) 2291		
5	Trim roll assembly—dash (White with White piping)	AFH5559		1	1						
6	Trim roll assembly—dash (Black with Black piping)	AFH5590		1	1						
7	Trim roll assembly—dash (Beige with Beige piping)			1	1			AFH6740			
8	Trim roll assembly—dash (Black with Red piping)			1	1			AFH6741	Com. (C) 2292		
9	Trim roll assembly—dash (Black with Blue piping)			1	1			AFH6742			
10	Trim roll assembly—dash (Black with White piping)			1	1			AFH6743			
11	Bolt fixing dash trim roll (claw head)	AFH1900	RO2	6	6						
12	Nut for bolt	FNZ103	RO3	6	6						
13	Washer for nut (plain)	PWZ203	RO4	6	6						
14	Washer for nut (spring)	LWZ203	RO5	6	6						
15	Rubber—dash trim roll surround	AFH1846	RO6	1	1						
16	Liner assembly with map pocket—R.H. (Red)	AFH4642	RO7	1	1						
17	Liner assembly with map pocket—L.H. (Red)	AFH4643		1	1		Coupe				
18	Liner assembly with map pocket—R.H. (Black)	AFH5566		1	1						
19	Liner assembly with map pocket—L.H. (Black)	AFH5567		1	1						
20	Liner assembly with map pocket—R.H. (Green)	AFH5562		1	1						
21	Liner assembly with map pocket—L.H. (Green)	AFH5563		1	1				Fin. (C) 2291		
22	Liner assembly with map pocket—R.H. (Grey)	AFH5564		1	1						
23	Liner assembly with map pocket—L.H. (Grey)	AFH5565		1	1						
24	Liner assembly with map pocket—R.H. (Beige)			1	1			AFH6744	Com. (C) 2292		
25	Liner assembly with map pocket—L.H. (Beige)			1	1			AFH6745			
26	Screw fixing liner	RTP405	RO8	10	10						
27	Washer for screw (cup)	7701	RO9	10	10						
28	Liner assembly—door—R.H. (Red with Red piping)	AFH4644	RO10	1	1						
29	Liner assembly—door—L.H. (Red with Red piping)	AFH4645		1	1						
30	Liner assembly—door—R.H. (Black with White piping)	AFH5572		1	1						
31	Liner assembly—door—L.H. (Black with White piping)	AFH5573		1	1						
32	Liner assembly—door—R.H. (Black with Red piping)	AFH5574		1	1						
33	Liner assembly—door—L.H. (Black with Red piping)	AFH5575		1	1						

SERVICE PARTS LIST

THE M.G. Series MGA TWIN CAM

Item No.	DESCRIPTION	Commencing (C) 501		Qty. per Vehicle		Unit of Issue	Type of Vehicle	MODIFICATIONS			REMARKS
		Part Number	Illus. No.	RHD	LHD			New Part Number	Change Point	Amdt. No.	
	Trimming—continued										
1	Liner assembly—door—R.H. (Green with Green piping)	AFH5568		1	1		Coupé				
2	Liner assembly—door—L.H. (Green with Green piping)	AFH5569		1	1						
3	Liner assembly—door—R.H. (Grey with Grey piping)	AFH5570		1	1						
4	Liner assembly—door—L.H. (Grey with Grey piping)	AFH5571		1	1				Fin. (C) 2291		
5	Liner assembly—door—R.H. (Black with Green piping)	AFH5576		1	1						
6	Liner assembly—door—L.H. (Black with Green piping)	AFH5577		1	1						
7	Liner assembly—door—R.H. (Black with Blue piping)	AFH5578		1	1						
8	Liner assembly—door—L.H. (Black with Blue piping)	AFH5579		1	1						
9	Liner assembly—door—R.H. (Beige with Beige piping)			1	1				AFH6746		
10	Liner assembly—door—L.H. (Beige with Beige piping)			1	1				AFH6747	Com. (C) 2292	
11	Liner assembly—door—R.H. (Black with Blue piping)			1	1				AFH6805		
12	Liner assembly—door—L.H. (Black with Blue piping)			1	1				AFH6806		
13	Screw fixing door liner	RTP405		16	16						
14	Washer for screw (cup)	7701		16	16						
15	Liner assembly—rear quarter—R.H. (Red)	AFH4646	RO11	1	1						
16	Liner assembly—rear quarter—L.H. (Red)	AFH4647		1	1						
17	Liner assembly—rear quarter—R.H. (Green)	AFH5580		1	1						
18	Liner assembly—rear quarter—L.H. (Green)	AFH5581		1	1				Fin. (C) 2291		
19	Liner assembly—rear quarter—R.H. (Grey)	AFH5582		1	1						
20	Liner assembly—rear quarter—L.H. (Grey)	AFH5583		1	1						
21	Liner assembly—rear quarter—R.H. (Black)	AFH5584		1	1						
22	Liner assembly—rear quarter—L.H. (Black)	AFH5585		1	1						
23	Liner assembly—rear quarter—R.H. (Red)			1	1			AFH6826			
24	Liner assembly—rear quarter—L.H. (Red)			1	1			AFH6827			
25	Liner assembly—rear quarter—R.H. (Beige)			1	1			AFH6748	Com. (C) 2292		
26	Liner assembly—rear quarter—L.H. (Beige)			1	1			AFH6749			
27	Liner assembly—rear quarter—R.H. (Black)			1	1			AFH6828			
28	Liner assembly—rear quarter—L.H. (Black)			1	1			AFH6829			
29	Screw fixing rear quarter liner	RTP405		10	10						
30	Washer for screw (cup)	7701		10	10						
31	Liner assembly—header (front)	AFH4653	RO12	1	1						
32	Screw fixing header liner	RTP405		6	6						
33	Washer for screw (cup)	7701		6	6						
34	Liner assembly—cant rail—R.H.	AFH4654	RO13	1	1						
35	Liner assembly—cant rail—L.H.	AFH4655	RO14	1	1						
36	Screw fixing cant rail liner	RTP405		14	14						
37	Washer for screw (cup)	7701		14	14						





A3034

SERVICE PARTS LIST

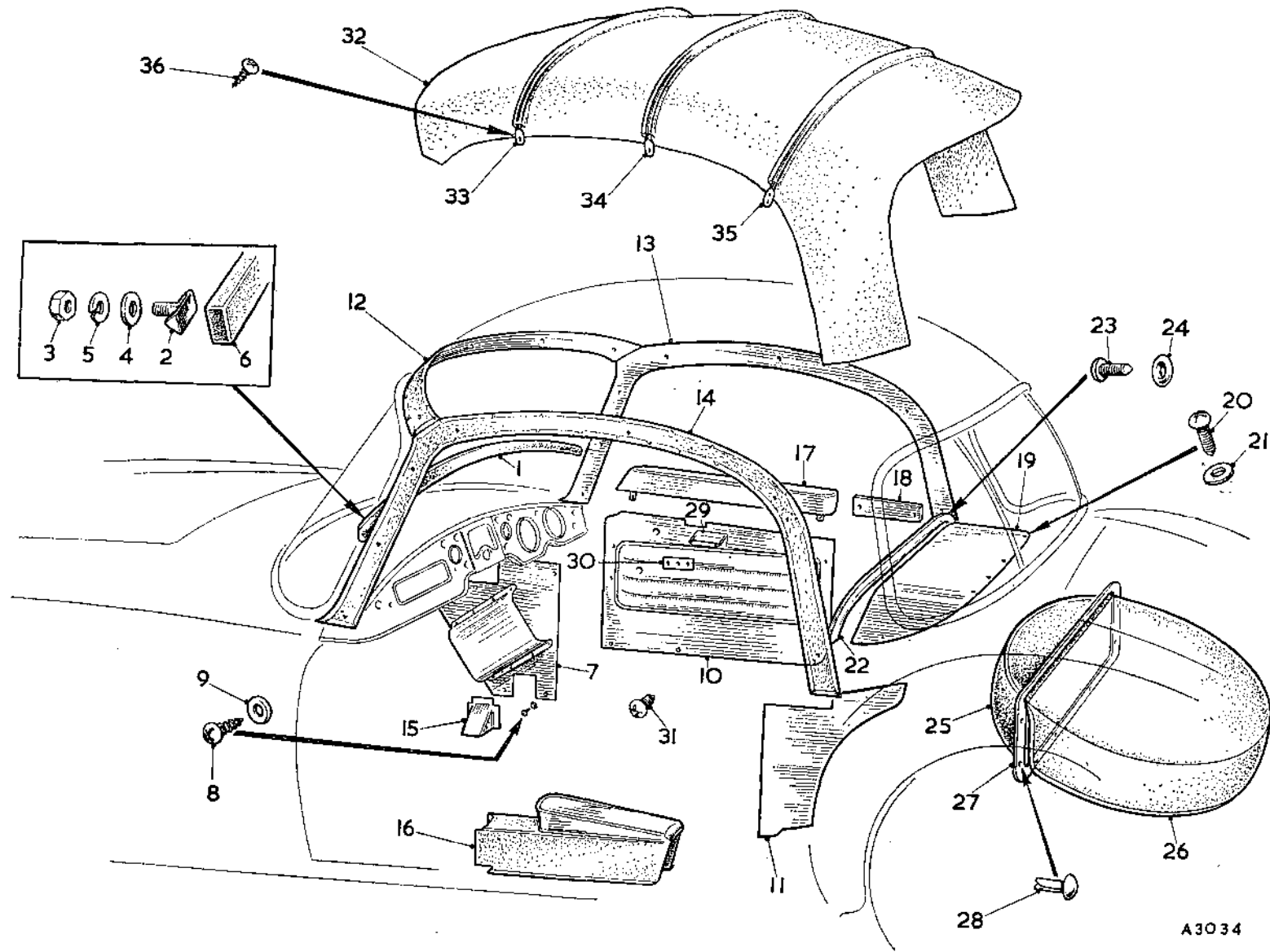
THE M.G. Series MGA TWIN CAM

Item No.	DESCRIPTION	Commencing (C) 501		Qty. per Vehicle		Unit of Issue	Type of Vehicle	MODIFICATIONS			REMARKS
		Part Number	Illus. No.	RHD	LHD			New Part Number	Change Point	Amdt. No.	
	Trimming—continued										
1	Cover assembly—dash side mounting (Red)	AFH2567	RO15	2	2						
2	Cover assembly—dash side mounting (Black)	AFH5608		2	2						
3	Cover assembly—dash side mounting (Green)	AFH5606		2	2				Fin. (C) 2201		
4	Cover assembly—dash side mounting (Grey)	AFH5607		2	2				Com. (C) 2292		
5	Cover assembly—dash side mounting (Beige)			2	2			AFH6752			
6	Cover assembly—centre arm-rest (Red with Red piping)	AFH4631	RO16	1	1						
7	Cover assembly—centre arm-rest (Black with White piping)	AFH5552		1	1						
8	Cover assembly—centre arm-rest (Black with Red piping)	AFH5553		1	1						
9	Cover assembly—centre arm-rest (Green with Green piping)	AFH5550		1	1						
10	Cover assembly—centre arm-rest (Grey with Grey piping)	AFH5551		1	1				Fin. (C) 2201		
11	Cover assembly—centre arm-rest (Black with Green piping)	AFH5554		1	1						
12	Cover assembly—centre arm-rest (Black with Blue piping)	AFH5555		1	1						
13	Cover assembly—centre arm-rest (Beige with Beige piping)			1	1			AFH6738	Com. (C) 2292		
14	Cover assembly—centre arm-rest (Black with Blue piping)			1	1			AFH6739			
15	Capping assembly—door—R.H. (Red)	AFH4648	RO17	1	1		Coupé				
16	Capping assembly—door—L.H. (Red)	AFH4649		1	1						
17	Capping assembly—door—R.H. (Black)	AFH5594		1	1						
18	Capping assembly—door—L.H. (Black)	AFH5595		1	1						
19	Capping assembly—door—R.H. (Green)	AFH5586		1	1						
20	Capping assembly—door—L.H. (Green)	AFH5587		1	1						
21	Capping assembly—door—R.H. (Grey)	AFH5588		1	1						
22	Capping assembly—door—L.H. (Grey)	AFH5589		1	1				Fin. (C) 2291		
23	Capping assembly—door—R.H. (Blue)	AFH5590		1	1						
24	Capping assembly—door—L.H. (Blue)	AFH5591		1	1						
25	Capping assembly—door—R.H. (White)	AFH5592		1	1						
26	Capping assembly—door—L.H. (White)	AFH5593		1	1						
27	Capping assembly—door—R.H. (Beige)			1	1			AFH6750	Com. (C) 2292		
28	Capping assembly—door—L.H. (Beige)			1	1			AFH6751			
29	Screw fixing door capping	RTP408									
30	Washer for screw (cup)	7701									

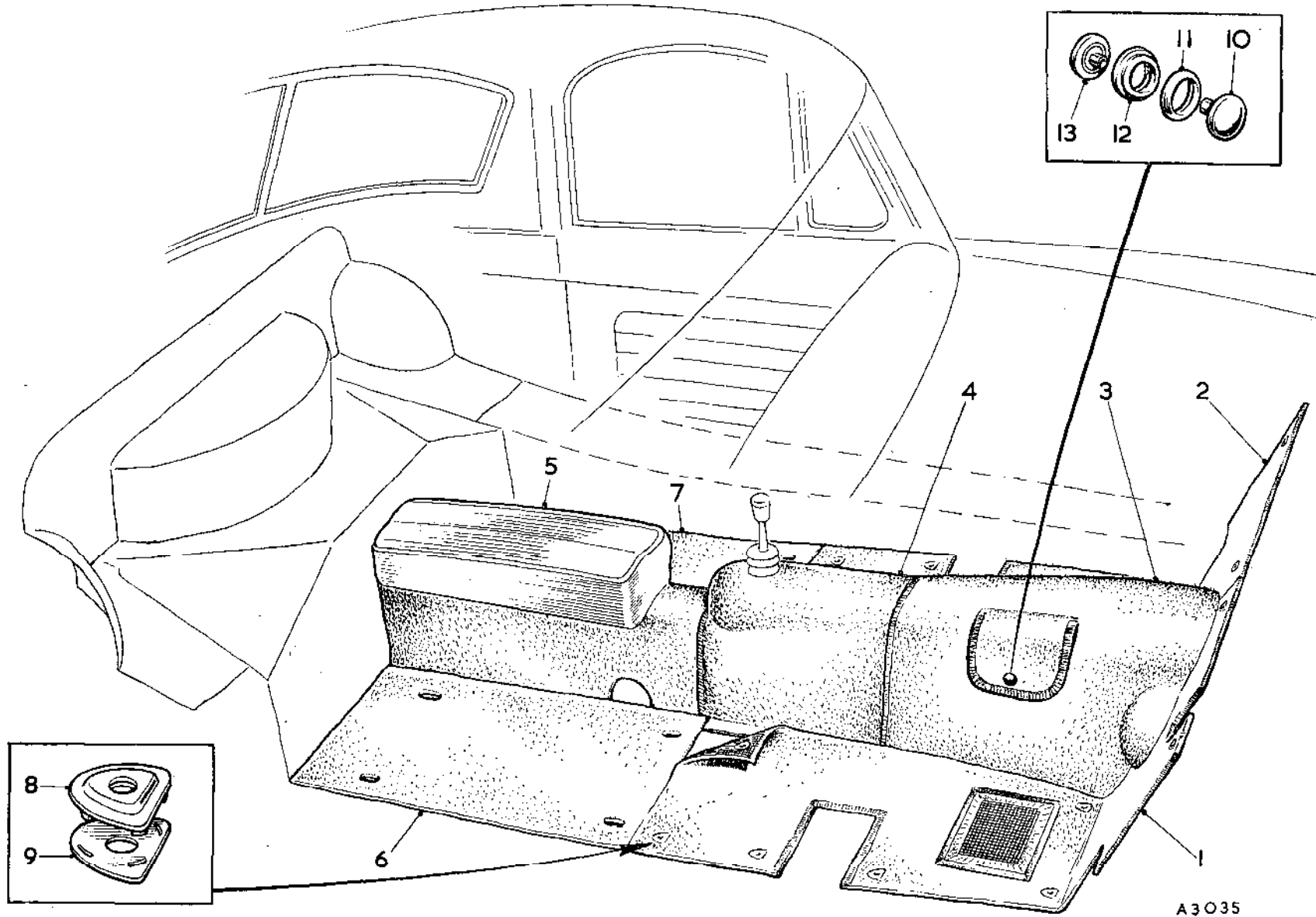
SERVICE PARTS LIST

THE M.G. Series MGA TWIN CAM

Item No.	DESCRIPTION	Commencing (C) 501		Qty. per Vehicle		Unit of Issue	Type of Vehicle	MODIFICATIONS			REMARKS
		Part Number	Illus. No.	RHD	LHD			New Part Number	Change Point	Amdt. No.	
	Trimming—continued										
1	Capping assembly—rear quarter—R.H. (Red)	AFH4650	RO18	1	1						
2	Capping assembly—rear quarter—L.H. (Red)	AFH4651		1	1						
3	Capping assembly—rear quarter—R.H. (Green)	AFH5596		1	1						
4	Capping assembly—rear quarter—L.H. (Green)	AFH5597		1	1						
5	Capping assembly—rear quarter—R.H. (Grey)	AFH5598		1	1						
6	Capping assembly—rear quarter—L.H. (Grey)	AFH5599		1	1				Fin. (C) 2291		
7	Capping assembly—rear quarter—R.H. (Blue)	AFH5600		1	1						
8	Capping assembly—rear quarter—L.H. (Blue)	AFH5601		1	1						
9	Capping assembly—rear quarter—R.H. (White)	AFH5602		1	1						
10	Capping assembly—rear quarter—L.H. (White)	AFH5603		1	1						
11	Capping assembly—rear quarter—R.H. (Black)	AFH5604		1	1						
12	Capping assembly—rear quarter—L.H. (Black)	AFH5605		1	1						
13	Capping assembly—rear quarter—R.H.			1	1			AFH6652	Com. (C) 2292		
14	Capping assembly—rear quarter—L.H.			1	1			AFH6653			
15	Screw fixing rear quarter capping	RTP405		4	4						
16	Washer for screw (cup)	7701		4	4						
17	Shelf assembly—rear (Red)	AFH4660	RO19	1	1						
18	Shelf assembly—rear (Green)	AFH5609		1	1						
19	Shelf assembly—rear (Grey)	AFH5610		1	1				Fin. (C) 2291		
20	Shelf assembly—rear (Blue)	AFH5611		1	1						
21	Shelf assembly—rear (White)	AFH5612		1	1						
22	Shelf assembly—rear (Black)	AFH5613		1	1						
23	Shelf assembly—rear (Red)			1	1			AFH6764			
24	Shelf assembly—rear (Beige)			1	1			AFH6753	Com. (C) 2292		
25	Shelf assembly—rear (Black)			1	1			AFH6766			
26	Screw fixing rear shelf	PIZ604	RO20	4	4		Coupé				
27	Washer for screw (plain)	PWZ202	RO21	4	4						
28	Fillet assembly—rear shelf (Red)	AFH4656	RO22	1	1						
29	Fillet assembly—rear shelf (Green)	AFH5614		1	1						
30	Fillet assembly—rear shelf (Grey)	AFH5615		1	1				Fin. (C) 2291		
31	Fillet assembly—rear shelf (Blue)	AFH5616		1	1						
32	Fillet assembly—rear shelf (White)	AFH5617		1	1						
33	Fillet assembly—rear shelf (Black)	AFH5618		1	1						
34	Fillet assembly—rear shelf (Red)			1	1			AFH6755			
35	Fillet assembly—rear shelf (Beige)			1	1			AFH6754	Com. (C) 2292		
36	Fillet assembly—rear shelf (Black)			1	1			AFH6765			
37	Screw fixing rear shelf fillet	RTP606	RO23	6	6						
38	Washer for screw (cup)	7700	RO24	6	6						
39	Cover—spare wheel (front)	AFH5786	RO25	1	1						
40	Cover—spare wheel (rear)	AFH2572	RO26	1	1				Fin. (C) 2291		
41	Frame—spare wheel cover	AFH1781	RO27	1	1						
42	Rivet for frame	AFH5452	RO28	12	12						
43	Cover assembly—spare wheel			1	1			AFH6655	Com. (C) 2292		
44	Door-pull	AFH4512	RO29	2	2						
45	Plate fixing door-pull	AFB776	RO30	2	2						
46	Screw—plate to door	CTZ603	RO81	6	6						
47	Headlining assembly	AFH4657	RO32	1	1						
48	Listing rod—headlining (front)	AFH4485	RO33	1	1						
49	Listing rod—headlining (centre)	AFH4486	RO34	1	1						
50	Listing rod—headlining (rear)	AFH4487	RO35	1	1						
51	Screw—listing rod to body	AJD8172	RO36	8	8						



A3034



SERVICE PARTS LIST

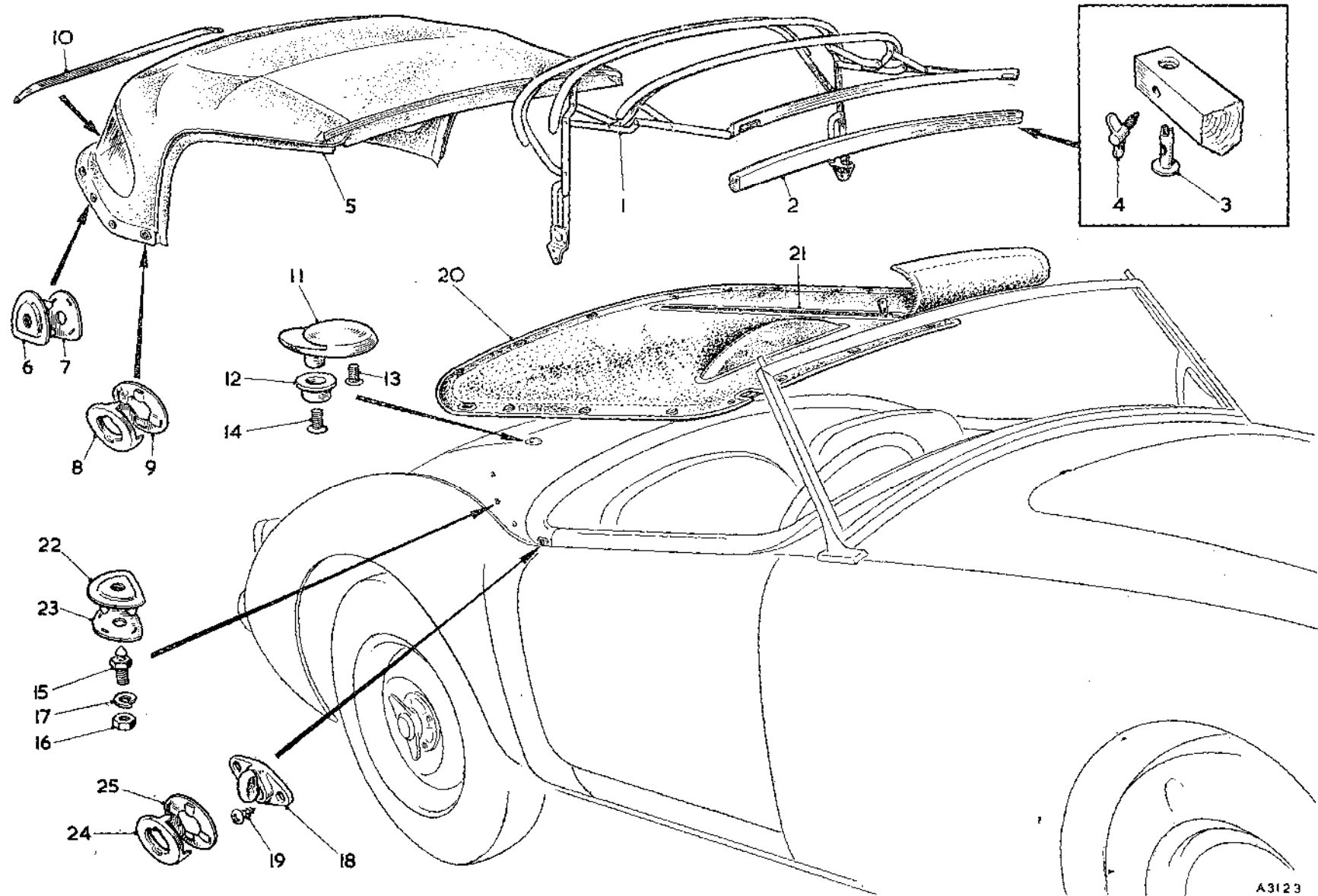
THE M.G. Series MGA TWIN CAM

Item No.	DESCRIPTION	Commencing (C) 501		Qty. per Vehicle		Unit of Issue	Type of Vehicle	MODIFICATIONS			REMARKS
		Part Number	Illus. No.	RHD	LHD			New Part Number	Change Point	Amdt. No.	
	Trimming—continued										
1	Carpet assembly—front—R.H. (Grey)	AFH6538	RP1	1			Coupe				
2	Carpet assembly—front—L.H. (Grey)	AFH5755	RP2	1							
3	Carpet assembly—front—R.H. (Grey)	AFH6537			1						
4	Carpet assembly—front—L.H. (Grey)	AFH5757			1						
5	Carpet assembly—tunnel—front (Grey)	AFH6535	RP3	1	1						
6	Carpet assembly—tunnel—intermediate (Grey)	AFH5783	RP4	1	1						
7	Carpet assembly—tunnel—rear (Grey) and arm-rest assembly (Red with Red piping)	AFH4661	RP5	1	1						
8	Carpet assembly—tunnel—rear (Grey) and arm-rest assembly (Black with White piping)	AFH6552		1	1						
9	Carpet assembly—tunnel—rear (Grey) and arm-rest assembly (Black with Red piping)	AFH6553		1	1						
10	Carpet assembly—tunnel—rear (Grey) and arm-rest assembly (Green with Green piping)	AFH6550		1	1						
11	Carpet assembly—tunnel—rear (Grey) and arm-rest assembly (Grey with Grey piping)	AFH6551		1	1						
12	Carpet assembly—tunnel—rear (Grey) and arm-rest assembly (Black with Green piping)	AFH6554		1	1					Fin. (C) 2291	
13	Carpet assembly—tunnel—rear (Grey) and arm-rest assembly (Black with Blue piping)	AFH6555		1	1						
14	Carpet assembly—tunnel—rear (Grey) and arm-rest assembly (Beige with Beige piping)			1	1						
15	Carpet assembly—tunnel—rear (Grey) and arm-rest assembly (Black with Blue piping)								AFH6758		
16	Carpet assembly—rear—R.H. (Grey)	AFH5764	RP6	1	1				AFH6750		Com. (C) 2292
17	Carpet assembly—rear—L.H. (Grey)	AFH5765	RP7	1	1						
18	Fastener—lift-the-dot	7H9962	RP8	16	16						
19	Plate—clinch	7H9963	RP9	16	16						
20	Button—durable dot	7H9864	RP10	1	1						
21	Socket—durable dot	7H9866	RP11	1	1						
22	Stud—durable dot	7H9867	RP12	1	1						
23	Eyelet—durable dot	7H9868	RP13	1	1						

SERVICE PARTS LIST

THE M.G. Series MGA TWIN CAM

Item No.	DESCRIPTION	Commencing (C) 501		Qty. per Vehicle		Unit of Issue	Type of Vehicle	MODIFICATIONS			REMARKS
		Part Number	Illus. No.	RHD	LHD			New Part Number	Change Point	Amdt. No.	
	BULK MATERIAL—TRIM										
1	Leathercloth—50" wide (Red)	AFH1881		A/R	A/R						
2	Leathercloth—50" wide (Green)	AFH1832		A/R	A/R						
3	Leathercloth—50" wide (Grey)	AFH1833		A/R	A/R				Fin. (C) 2192		
4	Leathercloth—50" wide (Black)	AFH1834		A/R	A/R						
5	Leathercloth—50" wide (Beige)			A/R	A/R			AFH6662	Com. (C) 2193		
6	Leathercloth—50" wide (Blue)	AFH4754		A/R	A/R] Coupé				
7	Leathercloth—50" wide (Off White)	AFH4755		A/R	A/R					Fin. (C) 2291	
8	Piping—door hinge pillar (Red)	AFH4771		A/R	A/R						
9	Piping—door hinge pillar (Green)	AFH4772		A/R	A/R						
10	Piping—door hinge pillar (Grey)	AFH4773		A/R	A/R				Fin. (C) 2192		
11	Piping—door hinge pillar (Black)	AFH4774		A/R	A/R						
12	Piping—door hinge pillar (Beige)			A/R	A/R			AFH6671	Com. (C) 2193		
13	Piping—trim roll (Red)	AFH4885		A/R	A/R						
14	Piping—trim roll (White)	AFH4838		A/R	A/R						
15	Piping—trim roll (Green)	AFH4836		A/R	A/R				Fin. (C) 2192		
16	Piping—trim roll (Grey)	AFH4837		A/R	A/R						
17	Piping—trim roll (Black)	AFH4839		A/R	A/R] Coupé		Fin. (C) 2291		
18	Piping—trim roll (Blue)	AFH4840		A/R	A/R						
19	Piping—trim roll (Blue)			A/R	A/R			AFH6667			
20	Piping—trim roll (Beige)			A/R	A/R			AFH6668	Com. (C) 2193		
21	Carpet—40" wide (Black)	ADE539		A/R	A/R		Tourer				
22	Carpet—40" wide (Grey)	AFH5785		A/R	A/R] Coupé				
23	Headlining	AFH4614		A/R	A/R						



A3123

SERVICE PARTS LIST

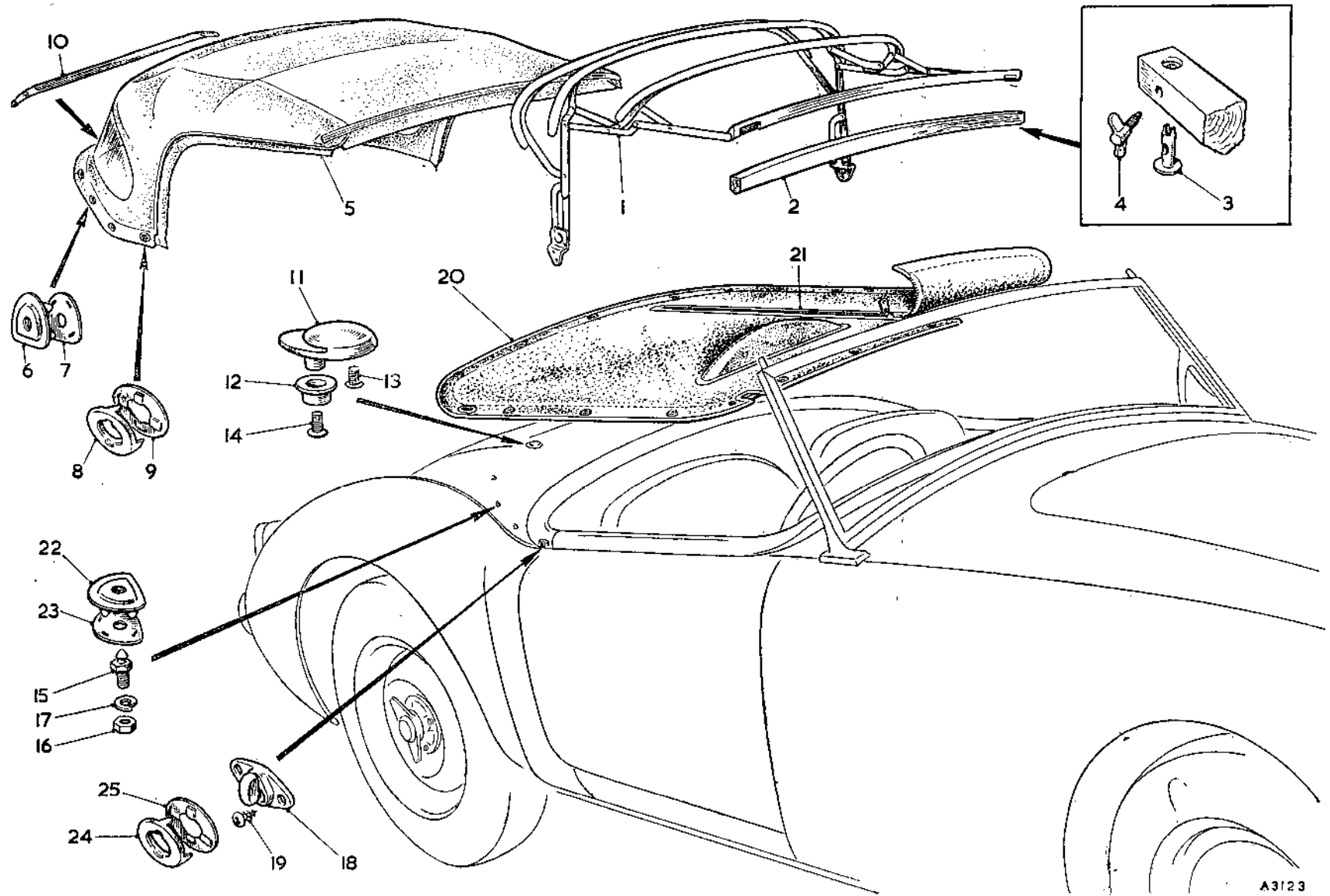
THE M.G. Series MGA TWIN CAM

Item No.	DESCRIPTION	Commencing (C) 501		Qty. per Vehicle		Unit of Issue	Type of Vehicle	MODIFICATIONS			REMARKS
		Part Number	Illus. No.	RHD	LHD			New Part Number	Change Point	Amdt. No.	
	HOOD										
1	Hood assembly (Black)	AKE1760		1	1				Fin. (C) 2192		
2	Hood assembly (Ice Blue)	AKE1761		1	1						
3	Hood assembly (Grey)			1	1			AFH6686			
4	Hood assembly (Beige)			1	1			AFH6796			
5	Hood assembly (Blue)			1	1			AFH6797	Com. (C) 2193		
6	Frame assembly—hood	AFH2727	RQ1	1	1		AFH6847	AFH6770		534	
7	Stick—hood	AFH1746	RQ2	1	1			AFH6771			
8	Socket—stick	AFH2685	RQ3	2	2						
9	Wing bolt—hood to screen	MB22488	RQ4	2	2						
10	Canopy assembly—hood (Black)	AKE1762	RQ5	1	1				Fin. (C) 2192		
11	Canopy assembly—hood (Ice Blue)	AKE1763		1	1					534	
12	Canopy assembly (Grey)	AFH6851		1	1			AFH6802			
13	Canopy assembly (Beige)			1	1			AFH6804	Com. (C) 2193		
14	Canopy assembly (Blue)			1	1		Tourer	AFH6803			
15	Lift-the-dot fastener	7H9961	RQ6	6	6						
16	Lift-the-dot clinch plate	7H9963	RQ7	6	6						
17	Eyelet—turn-button fastener	97H498	RQ8	2	2						
18	Washer—turn-button fastener	97H497	RQ9	2	2						
19	Attachment plate—hood to body	AFH2659	RQ10	1	1						
20	Plate—hood retaining	AFH1741	RQ11	2	2						
21	Washer for plate (cup)	MB19956	RQ12	2	2						
22	Screw fixing plate	PMZ0304	RQ13	2	2						
23	Screw fixing plate	PMZ0306	RQ14	2	2						
24	Peg—rear fixing	183599	RQ15	6	6						
25	Nut for peg	AJD8012Z	RQ16	6	6						Correction. Was 17H9510
26	Washer for screw (spring)	LWZ203	RQ17	6	6						
27	Turn-button—single	97H496	RQ18	2	2						
28	Screw fixing turn-button	RTP404	RQ19	4	4						

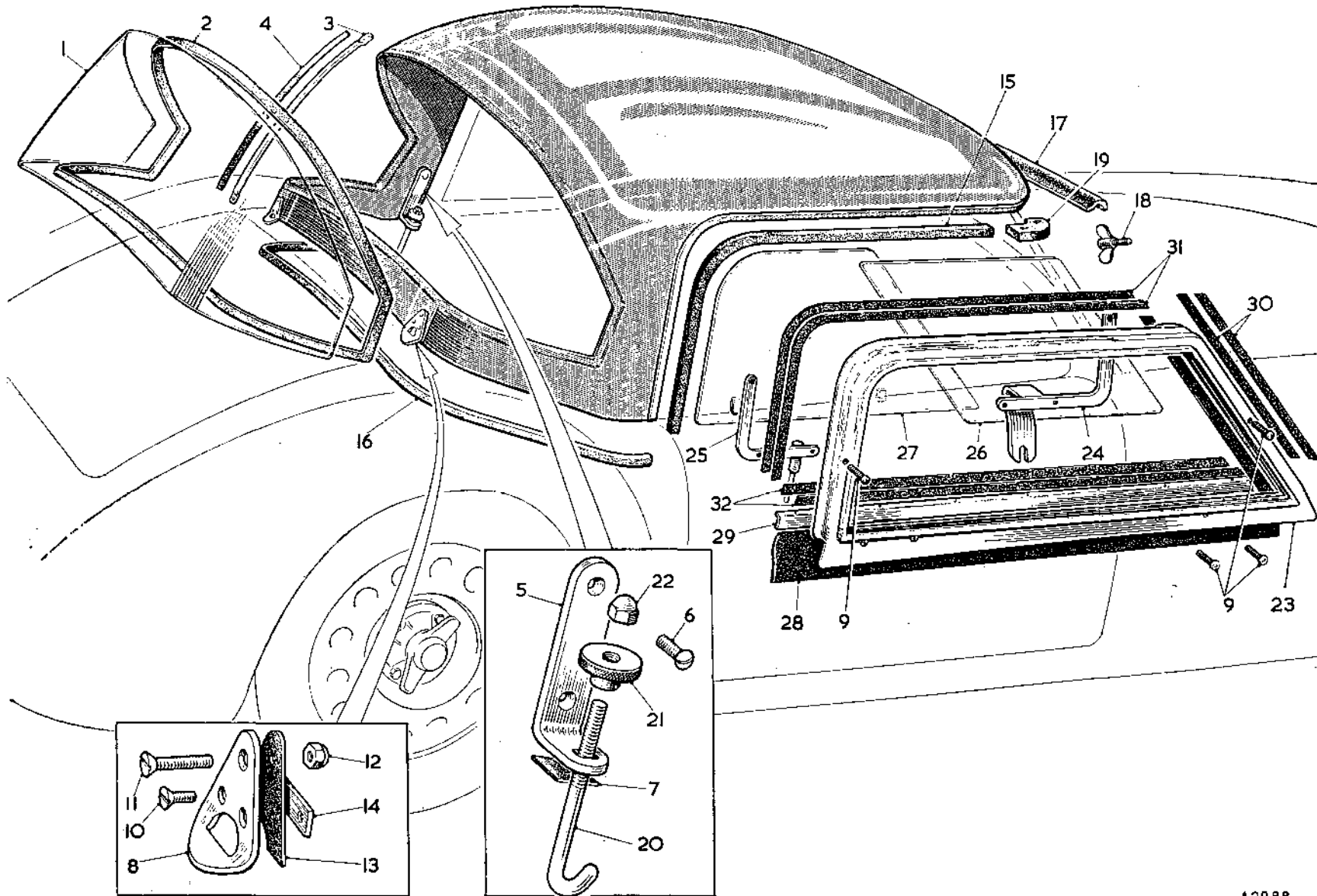
SERVICE PARTS LIST

THE M.G. Series MGA TWIN CAM

Item No.	DESCRIPTION	Commencing (C) 501		Qty. per Vehicle		Unit of Issue	Type of Vehicle	MODIFICATIONS			REMARKS
		Part Number	Illus. No.	RHD	LHD			New Part Number	Change Point	Amdt. No.	
	TONNEAU COVER (Optional Extra)										
1	Tonneau cover assembly (Black)	AKE1756	RQ20	1							
2	Tonneau cover assembly (Ice Blue)	AKE1757		1							
3	Tonneau cover assembly (Black)	AKE1758			1				Fin. (C) 993		
4	Tonneau cover assembly (Ice Blue)	AKE1759			1						
5	Zip fastener	AFH2687	RQ21	1	1						
6	Tonneau cover assembly (Black)			1				AFH6572			
7	Tonneau cover assembly (Ice Blue)			1				AFH6574	Com. (C) 994		
8	Tonneau cover assembly (Black)				1			AFH6571			
9	Tonneau cover assembly (Ice Blue)				1			AFH6573			
10	Tonneau cover assembly (Grey)			1				AHH5975			
11	Tonneau cover assembly (Beige)			1				AHH5971			
12	Tonneau cover assembly (Blue)			1				AHH5973	Com. (C) 2193		
13	Tonneau cover assembly (Grey)				1			AHH5976			
14	Tonneau cover assembly (Beige)				1			AHH5972			
15	Tonneau cover assembly (Blue)				1		Tourer	AHH5974			
16	Zip fastener			1	1			AFH6608	Com. (C) 994		
17	Lift-the-dot fastener	7H9961	RQ22	20/12	20/12						Quantity reduced at (C) 994
18	Lift-the-dot clinch plate	7H9963	RQ23	20/12	20/12						
19	Eyelet—turn-button fastener	97H498	RQ24	2	2						
20	Washer—turn-button fastener	97H497	RQ25	2	2						
21	Screw base—lift-the-dot	97H499		8/6	8/6						
22	Screw fixing base	RTP603		12	12						
23	Stud—lift-the-dot	97H717		12/6	12/6						Quantity reduced at (C) 994
24	Nut for stud	AJD8012Z		12/6	12/6						
25	Washer for nut	LWZ203		12/6	12/6						
26	Washer for nut	PWZ203		12/6	12/6						
27	Screw for stud	RMP0208		4	4						
28	Washer (plain)	PWZ202		4	4				Fin. (C) 993		
29	Washer (spring)	LWZ202		4	4						
30	Nut for screw	CNZ102		4	4						



A3123



A2988

SERVICE PARTS LIST

THE M.G. Series MGA TWIN CAM

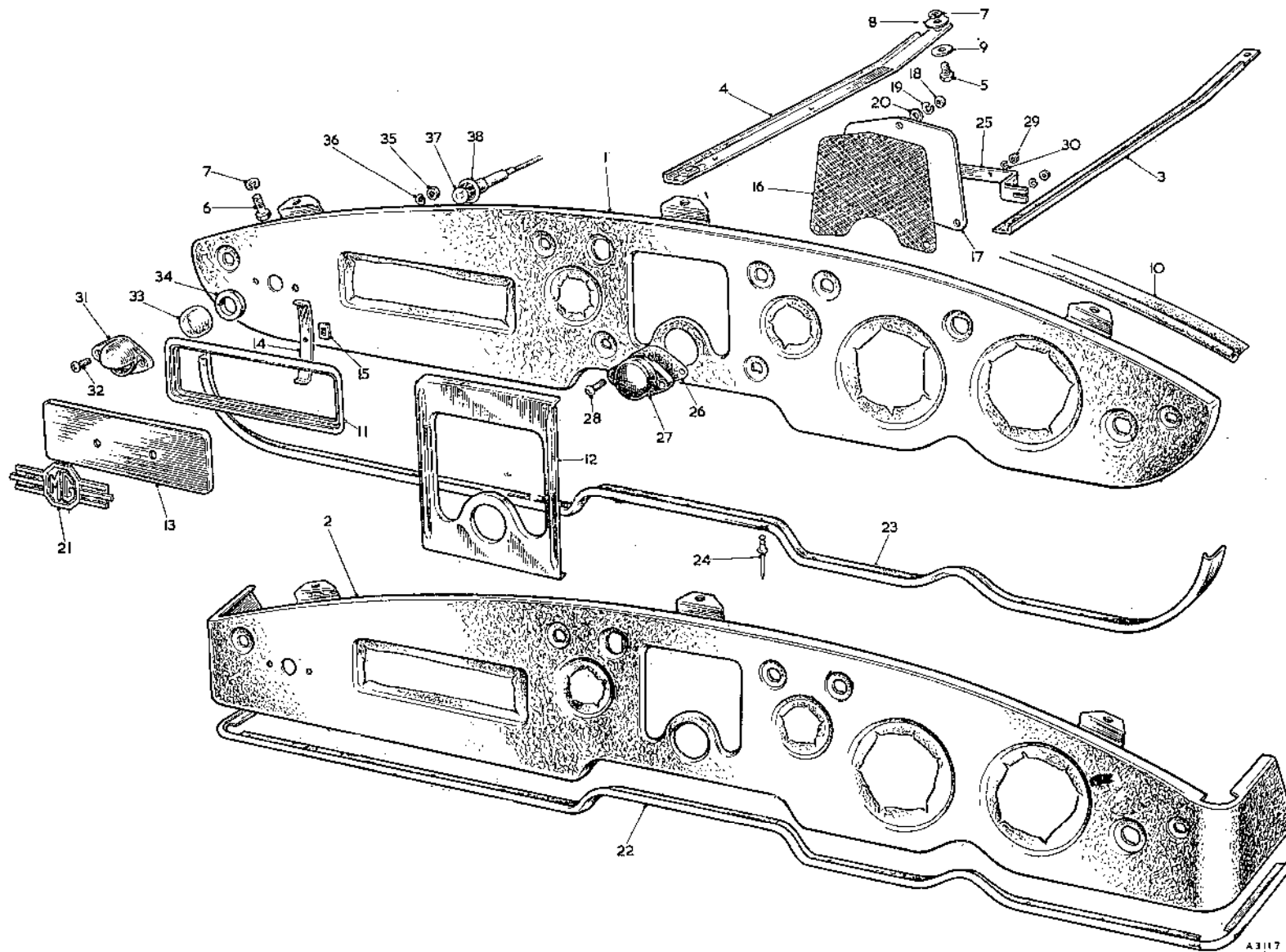
Item No.	DESCRIPTION	Commencing (C) 501		Qty. per Vehicle		Unit of Issue	Type of Vehicle	MODIFICATIONS			REMARKS
		Part Number	Illus. No.	RHD	LHD			New Part Number	Change Point	Amdt. No.	
	HARD TOP (Optional Extra)										
1	Hard top assembly	AHH5562		1	1						
2	Window—rear	AHH5660	RR1	1	1						
3	Rubber for rear window—sealing	AHH5661	RR2	1	1						
4	Strut—rear window (inner)	AHH5662	RR3	2	2						
5	Rubber for inner strut	AHH5663	RR4	2	2						
6	Bracket—side (main)	AHH5664	RR5	2	2						
7	Screw fixing main bracket to canopy	AJD2446C	RR6	4	4						
8	Rubber for side bracket	AHH5665	RR7	2	2						
9	Bracket—retaining (rear)	AHH5666	RR8	2	2						
10	Screw—bracket to canopy	RMP0307	RR10	4	4						
11	Screw—rear bracket to inner strut	AJD2448C	RR11	2	2						
12	Cap nut for bracket to inner strut screw	AJ J3125	RR12	2	2						
13	Grommet for retaining bracket	AHH5667	RR13	2	2						
14	Plate—backing—retaining bracket	AHH5674	RR14	2	2						
15	Rubber—sealing (side)	AHH5668	RR15	2	2						
16	Rubber—sealing (rear)	AHH5673	RR16	1	1						
17	Rubber—sealing—canopy	AHH5669	RR17	1	1						
18	Screw—thumb—canopy retaining	AHH5670	RR18	2	2						
19	Canopy rail end—R.H. (rubber)	AHH5671	RR19	1	1						
20	Canopy rail end—L.H. (rubber)	AHH5672		1	1						
21	Clip assembly—main retaining (side)	AHH5650	RR20	2	2		Tourer				
22	Knob	AHH5652	RR21	1	1						
23	Cap nut	AHH5653	RR22	1	1						
	SLIDING SIDESCREEN										
24	Sidescreen assembly—sliding—R.H.	AHH5731		1	1						
25	Sidescreen assembly—sliding—L.H.	AHH5732		1	1						
26	Frame—R.H.	AHH5733	RR23	1	1						
27	Frame—L.H.	AHH5734		1	1						
28	Bracket—front securing—R.H.	AHH5735	RR24	1	1						
29	Bracket—front securing—L.H.	AHH5736		1	1						
30	Bracket—peg—R.H.	AHH5737	RR25	1	1						
31	Bracket—peg—L.H.	AHH5738		1	1						
32	Screw fixing bracket	PMP0310	RR9	12	12						
33	Screen—fixed	AHH5739	RR26	2	2						
34	Screen—sliding—R.H.	AHH5740	RR27	1	1						
35	Screen—sliding—L.H.	AHH5741		1	1						
36	Rubber—sealing—R.H.	AHH5808	RR28	1	1						
37	Rubber—sealing—L.H.	AHH5742		1	1						
38	Retainer—sealing rubber—R.H.	AHH5743	RR29	1	1						
39	Retainer—sealing rubber—L.H.	AHH5744		1	1						
40	Felt—glazing (front)	AHH5745	RR30	2	2						
41	Felt—glazing (upper)	AHH5746	RR31	2	2						
42	Felt—glazing (lower)	AHH5747	RR32	2	2						

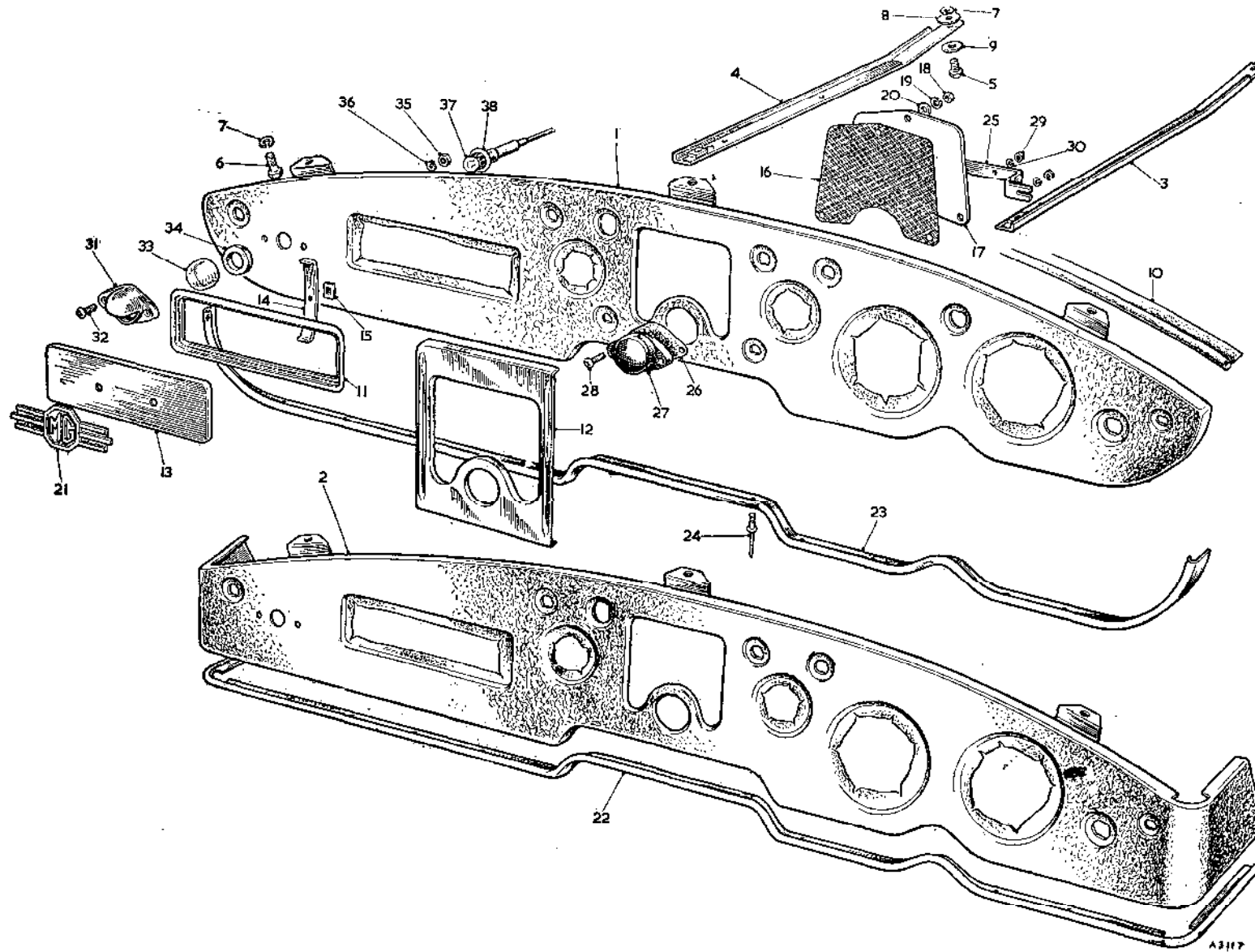
For use with Hard top assembly only

SERVICE PARTS LIST

THE M.G. Series MGA TWIN CAM

Item No.	DESCRIPTION	Commencing (C) 501		Qty. per Vehicle		Unit of Issue	Type of Vehicle	MODIFICATIONS			REMARKS
		Part Number	Illus. No.	RHD	LHD			New Part Number	Change Point	Amdt. No.	
	FASCIA PANEL										
1	Panel assembly—fascia (Red)	AFH5822	RS1	1			Tourer				
2	Panel assembly—fascia (Green)	AFH6838		1						Fin. (C) 2192	
3	Panel assembly—fascia (Grey)	AFH6840		1							
4	Panel assembly—fascia (Black)	AFH6844		1							
5	Panel assembly—fascia (Beige)			1					AFH6842	Com. (C) 2193	
6	Panel assembly—fascia (Red)	AFH5823			1						
7	Panel assembly—fascia (Green)	AFH6839		1						Fin. (C) 2192	
8	Panel assembly—fascia (Grey)	AFH6841		1							
9	Panel assembly—fascia (Black)	AFH6845		1							
10	Panel assembly—fascia (Beige)			1	1				AFH6843	Com. (C) 2193	
11	Panel assembly—fascia (Red)	AFH4658	RS2	1				Coupé			
12	Panel assembly—fascia (Green)	AFH5620		1							
13	Panel assembly—fascia (Grey)	AFH5622		1						Fin. (C) 2291	
14	Panel assembly—fascia (Blue)	AFH5624		1							
15	Panel assembly—fascia (White)	AFH5626		1							
16	Panel assembly—fascia (Black)	AFH5628		1							
17	Panel assembly—fascia (Beige)			1					AFH6756	Com. (C) 2292	
18	Panel assembly—fascia (Red)	AFH4659			1						
19	Panel assembly—fascia (Green)	AFH5621		1							
20	Panel assembly—fascia (Grey)	AFH5623		1						Fin. (C) 2291	
21	Panel assembly—fascia (Blue)	AFH5625		1							
22	Panel assembly—fascia (White)	AFH5627		1							
23	Panel assembly—fascia (Black)	AFH5629		1							
24	Panel assembly—fascia (Beige)			1					AFH6757	Com. (C) 2292	
25	Support angle assembly—R.H.	AFH1712	RS3	2	2						
26	Support angle assembly—L.H.	AFH1713	RS4	2	2						
27	Screw—support angle	PPZ0308	RS5	8	8						
28	Screw—support angle	AFH2587	RS6	3	3						
29	Washer for screw (spring)	LWZ203	RS7	11	11						
30	Washer for screw (plain)	PWZ204	RS8	3	3						
31	Washer for screw (plain)	PWZ203	RS9	8	8						
32	Piping—fascia panel (Red)	AFH4841	RS10	A/R	A/R						
33	Piping—fascia panel (Green)	AFH4842		A/R	A/R				Fin. Tourer (C) 2192,		
34	Piping—fascia panel (Grey)	AFH4843		A/R	A/R				Coupé (C) 2291		
35	Piping—fascia panel (White)	AFH4844		A/R	A/R						
36	Piping—fascia panel (Black)	AFH4845		A/R	A/R		Coupé		Fin. (C) 2291		
37	Piping—fascia panel (Blue)	AFH4846		A/R	A/R						
38	Piping—fascia panel (Blue)			A/R	A/R				AFH6669	Com. Tourer (C) 2193,	
39	Piping—fascia panel (Beige)			A/R	A/R			AFH6670	Coupé (C) 2292		





SERVICE PARTS LIST

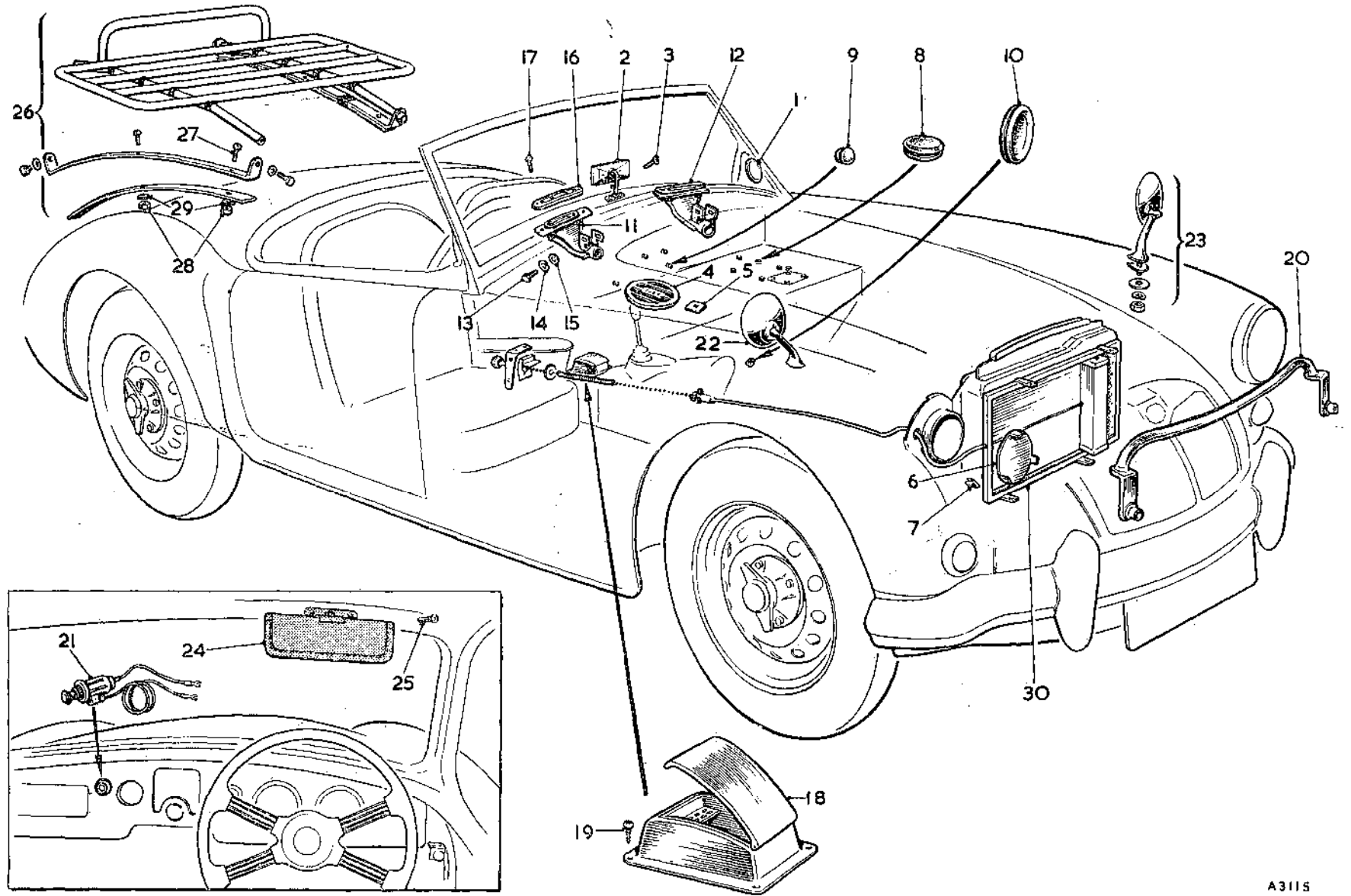
THE M.G. Series MGA TWIN CAM

Item No.	DESCRIPTION	Commencing (C) 501		Qty. per Vehicle		Unit of Issue	Type of Vehicle	MODIFICATIONS			REMARKS
		Part Number	Illus. No.	RHD	LHD			New Part Number	Change Point	Amdt. No.	
	Fascia Panel—continued										
1	Bezel—radio aperture	AFH5255	RS11	1	1						
2	Bezel—radio speaker	AFH4520	RS12	1	1						
3	Plate—blanking—radio aperture	ARH59	RS13	1	1						
4	Clip—blanking plate to fascia panel	AHH5256	RS14	2	2						
5	Nut—clip (Spire)	ADB509	RS15	2	2						
6	Grille—radio speaker	AHH5254	RS16	1	1						
7	Plate—blanking—radio speaker grille	AHH5376	RS17	1	1						
8	Nut—blanking plate to panel	FNZ103	RS18	3	3						
9	Washer for nut (spring)	LWZ203	RS19	3	3						
10	Washer for nut (plain)	PWZ103	RS20	3	3						
11	Motif—'M.G.'	AHH5258	RS21	1	1						
12	Finisher—fascia panel (lower)	AFH4488	RS22	1			} Coupé } Tourer				
13	Finisher—fascia panel (lower)	AFH4480			1						
14	Finisher—fascia panel (lower)	AFH5476	RS23	1							
15	Finisher—fascia panel (lower)	AFH5477			1						
16	Rivet—finisher and radio bezel	AFH5453	RS24	23	23						
17	Bracket—horn-push	AHH5287	RS25	1	1						
18	Insulating piece—horn-push	AHH5257	RS26	1	1						
19	Horn-push	2H3383	RS27	1	1						
20	Screw—push to bracket	PMZ0210	RS28	2	2						
21	Nut for screw	CNZ102	RS29	2	2						
22	Washer for screw (spring)	LWZ202	RS30	2	2						
23	Cover assembly—map light	37H5426	RS31	1	1						
24	Screw—map light cover to fascia panel	RMP0810	RS32	2	2						
25	Glass—map light	17H5301	RS33	1	1						
26	Rubber—map light glass	17H5302	RS34	1	1						
27	Nut for screw	FNZ103	RS35	2	2						
28	Washer for screw (spring)	LWZ203	RS36	2	2						
29	Bulb—map light	2H4782	RS37	2	2						
30	Bulbholder	37H5181	RS38	1	1						
31	Sleeve	3H999		1	1						

SERVICE PARTS LIST

THE M.G. Series MGA TWIN CAM

Item No.	DESCRIPTION	Commencing (C) 501		Qty. per Vehicle		Unit of Issue	Type of Vehicle	MODIFICATIONS			REMARKS
		Part Number	Illus. No.	RHD	LHD			New Part Number	Change Point	Amdt. No.	
	SUNDRIES										
1	Licence holder	180260	RT1	1	1		Tourer				
2	Licence holder	14A3283		1	1		Coupé				
3	Mirror—rear view	AHH5198	RT2	1	1						
4	Screw—mirror to body	RMP0810	RT3	2	2						
5	Ventilator grille—air duct (MGA)	AHH5294	RT4	2	2						
6	Clip fixing grille (Spire)	PFS104	RT5	8	8						
7	Disc—blanking air tube	AHH5396	RT6	1	1						Not required when heater is fitted
8	Clip fixing blanking disc	ADH3809	RT7	3	3						
9	Grommet—master cylinder box holes—bulkhead	RFR208	RT8	8	8						
10	Grommet (1/4")	RFN204	RT9	6	6						Cars less radio
11	Grommet—blanking dipper switch hole	4G2541	RT10	1							
12	Grommet—blanking dipper switch hole	2H8041			3						
13	Grommet—blanking dipper switch hole				1			4G2541	Fin. (C) 2280 Com. (C) 2281		
14	Nozzle—demister—R.H.	AFH1748	RT11	1	1						
15	Nozzle—demister—L.H.	AFH1749	RT12	1	1						
16	Screw—fixing nozzle	AFH2587	RT13	4	4						
17	Washer for screw (spring)	LWZ203	RT14	4	4						
18	Washer for screw (plain)	PWZ203	RT15	4	4						
19	Finisher—demister nozzle	182143	RT16	2	2						
20	Screw for finisher	RTP804	RT17	4	4						
21	Ashtray (chrome and black enamel)	AHH5539	RT18	1	1						
22	Screw—fixing ashtray	PTP804	RT19	4	4						
23	Bar assembly—badge	AHH5565	RT20	1	1						
24	Lighter—cigar	AHH5759	RT21	1	1						
25	Mirror assembly—wing—R.H.	AHH5526	RT22	1	1] Alternatives
26	Mirror assembly—wing—L.H.	AHH5527	RT23	1	1						
27	Mirror assembly—wing	BHA4066		2	2						
28	Visor—sun	AHH5710	RT24	2	2		Coupé				
29	Screw fixing sun visor	RTP806	RT25	4	4						
30	Carrier—luggage (with fittings)	AHH5495	RT26	1	1] Optional extras
31	Screw—luggage carrier to boot lid	RMP0514	RT27	6	6						
32	Nut for screw	LN2205	RT28	6	6						
33	Washer for screw (plain)	PWZ105	RT29	6	6						
34	Blind assembly—radiator	AHH5900	RT30	1	1						
35	Roller and blind	97H2473		1	1						
36	Ball chain with knob	97H2475		1	1						
37	Cable—blind to chain	97H2474		1	1						
38	Pad—bulkhead sound deadener	AHH5596		1							
39	Pad—bulkhead sound deadener	AHH5597			1						
40	Pad—heater cover plate	AHH5598		1	1						



A3115