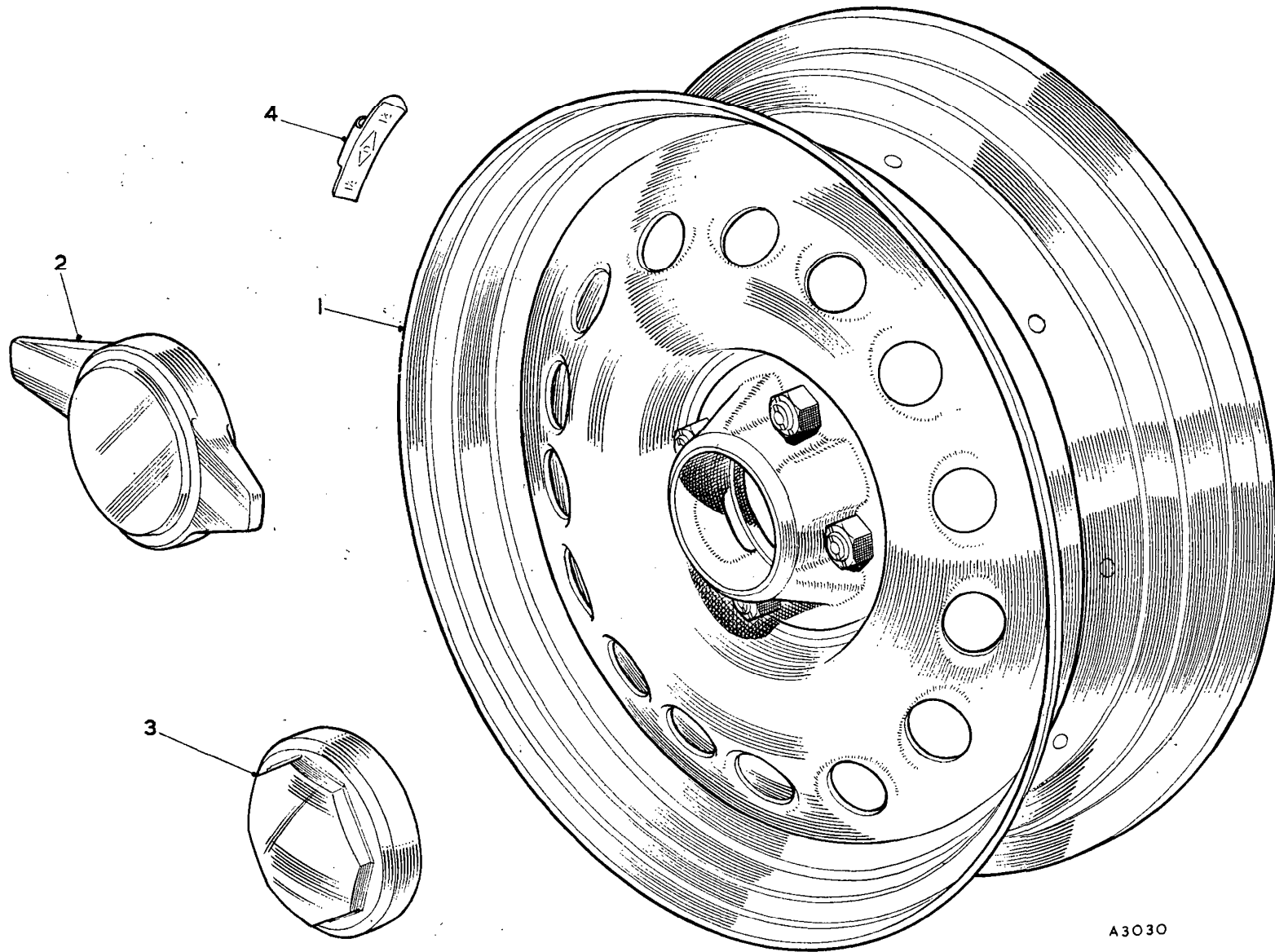


SERVICE PARTS LIST

THE M.G. Series MGA TWIN CAM

Item No.	DESCRIPTION	Commencing (C) 501		Qty. per Vehicle		Unit of Issue	Type of Vehicle	MODIFICATIONS			REMARKS
		Part Number	Illus. No.	RHD	LHD			New Part Number	Change Point	Amdt. No.	
	ROAD WHEELS										
1	Wheel—road (disc)	AHH8003	P1	5	5						
2	Cap—hub—R.H.	ATB4228	P2	2	2						
3	Cap—hub—L.H.	ATB4229		2	2						
4	Cap—hub—R.H.			2	2			AHH8011] Com. (C) 1826		Alternative to ATB4228 Alternative to ATB4229
5	Cap—hub—L.H.			2	2			AHH8012			
6	Cap—hub—R.H.		P3		2			AHH8006] Com. (C) 708] Germany only
7	Cap—hub—L.H.				2			AHH8007			
8	Weight—balance (½ oz.)	180603	P4	A/R	A/R						
9	Weight—balance (1 oz.)	180604		A/R	A/R						
10	Weight—balance (1½ oz.)	180605		A/R	A/R						
11	Weight—balance (2 oz.)	180606		A/R	A/R						



A3030