

A2915

SERVICE PARTS LIST

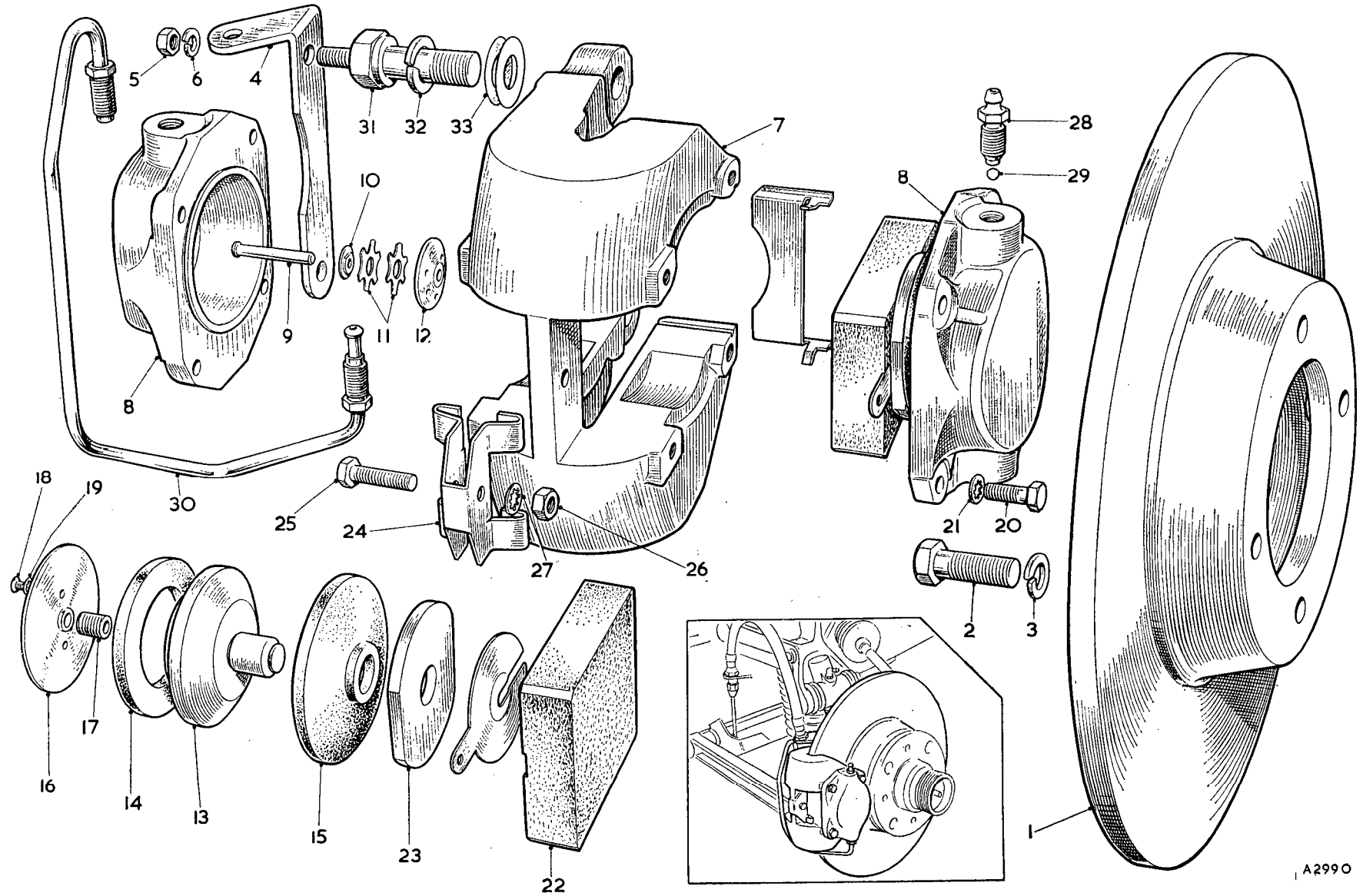
THE M.G. Series MGA TWIN CAM

Item No.	DESCRIPTION	Commencing (C) 501		Qty. per Vehicle		Unit of Issue	Type of Vehicle	MODIFICATIONS			REMARKS
		Part Number	Illus. No.	RHD	LHD			New Part Number	Change Point	Amdt. No.	
FRONT AXLE AND SUSPENSION											
1	Front suspension assembly—R.H.	N.S.P.		1	1						
2	Front suspension assembly—L.H.	N.S.P.		1	1						
3	Steering knuckle—R.H.	ATB4232	K1	1	1						
4	Steering knuckle—L.H.	ATB4233		1	1						
5	Pin—swivel—R.H.	ATB4218	K2	1	1						
6	Pin—swivel—L.H.	ATB4219		1	1						
7	Link—swivel pin—lower—R.H.	ATB4212	K3	1	1						
8	Link—swivel pin—lower—L.H.	ATB4213		1	1						
9	Bush	ACG6005	K4	2	2						
10	Plate	ACA4010	K5	2	2						
11	Link swivel pin upper—R.H.	ATB4208	K6	1	1						
12	Link swivel pin upper—L.H.	ATB4209		1	1						
13	Bush	ACG6005	K7	2	2						
14	Plate	ACA4010	K8	2	2						
15	Seal for swivel pin	ACG4080	K9	4	4						
16	Lever—steering—R.H.	ATB4258	K10	1	1						
17	Lever—steering—L.H.	ATB4259		1	1						
18	Key for steering lever	WKN506	K11	2	2						
19	Nut for steering lever	LNZ110	K12	2	2						
20	Nut for steering lever	LNZ210		2	2						
21	Washer for nut (plain)	PWZ110	K13	2	2						
22	Hub assembly—R.H.	ATB4236	K14	1	1] Alternatives
23	Hub assembly—L.H.	ATB4237		1	1						
24	Seal—oil	8G555	K15	2	2	12					
25	Distance washer—hub	ACF4001	K16	2	2						
26	Collar for oil seal	ATB4243	K17	2	2						
27	Bearing for hub (inner)	1B4399	K18	2	2						
28	Spacer for bearing	ATB4239	K19	2	2						
29	Bearing for hub (outer)	ATB4238	K20	2	2						
30	Shim for bearing (-003")	ATB4240	K21	A/R	A/R						
31	Shim for bearing (-005")	ATB4241		A/R	A/R						
32	Shim for bearing (-010")	ATB4242		A/R	A/R						
33	Washer—bearing retaining	1A4742	K22	2	2						
34	Nut—bearing retaining	51K330	K23	2	2						
35	Cup—grease-retaining	ATB4245	K24	2	2						

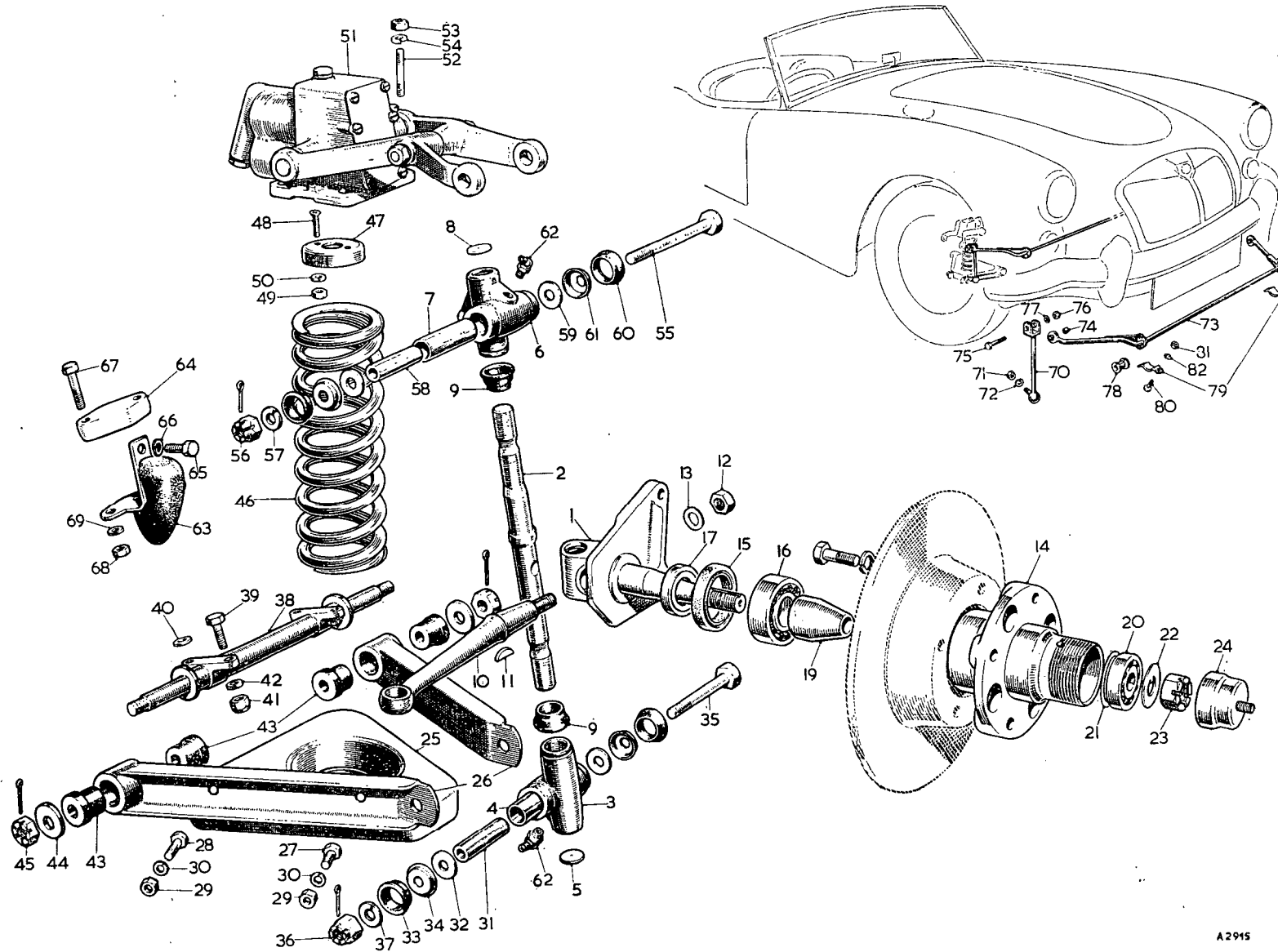
SERVICE PARTS LIST

THE M.G. Series MGA TWIN CAM

Item No.	DESCRIPTION	Commencing (C) 501		Qty. per Vehicle		Unit of Issue	Type of Vehicle	MODIFICATIONS			
		Part Number	Illus. No.	RHD	LHD			New Part Number	Change Point	Amdt. No.	REMARKS
	Front Axle and Suspension—continued										
1	Disc—brake	ATB4244	KA1	2	2						
2	Bolt—brake disc to hub	ATB4247	KA2	8	8						
3	Washer for bolt (spring)	LWZ207	KA3	8	8						
4	Bracket—hose—R.H.	ATB4256	KA4	1	1						
5	Bracket—hose—L.H.	ATB4257		1	1						
6	Nut for bracket	FNZ105	KA5	4	4						
7	Washer for nut (spring)	LWZ205	KA6	4	4	24					
8	Calliper unit assembly—R.H.	ATB4266		1	1			BTB134] Com. (C) 836 approx.	4.55	
9	Calliper unit assembly—L.H.	ATB4267		1	1			BTB135			
10	Calliper—R.H.	7H8261	KA7	1	1						
11	Calliper—L.H.	7H8261		1	1						
12	Cylinder assembly	7H8200		4	4			7H8257	Com. (C) 836 approx.		
13	Cylinder		KA8	4	4] Not supplied separately. Items included in assembly
14	Pin—retractor		KA9	4	4						
15	Bush—retractor stop		KA10	4	4						
16	Washer (spring)		KA11	8	8						
17	Cap		KA12	4	4						
18	Piston assembly	7H8211		4	4			7H8209	Com. (C) 836 approx.		
19	Piston		KA13	4	4] Not supplied separately. Not supplied separately. Items included in kit set 8G8104. Not supplied separately
20	Seal—piston		KA14	4	4						
21	Seal—dust		KA15	4	4						
22	Plate		KA16	4	4						
23	Bush—retractor	7H8212	KA17	4	4						
24	Screw—plate to piston	AJD4802N	KA18	8	8						
25	Washer for screw (shakeproof)		KA19	8	8			7H8222	Com. (C) 836 approx.		
26	Bolt—cylinder to calliper	7H8206	KA20	16	16						
27	Washer for bolt (shakeproof)	7H8207	KA21	16	16						
28	Pad assembly—friction	7H8201	KA22	4	4						
29	Plate—support	7H8202	KA23	4	4						
30	Plate—keep	7H8203	KA24	2	2						
31	Bolt for keep plate	7H8204	KA25	2	2			HZS0407	Com. (C) 836 approx.		
32	Nut for bolt	FNZ104	KA26	2	2						
33	Washer for nut (shakeproof)	7H8207	KA27	2	2						
34	Screw—bleed	7H8252	KA28	2	2						
35	Ball for bleed screw	BLS106	KA29	2	2						
36	Pipe—bridge—R.H.	7H8205	KA30	1	1			7H8210] Com. (C) 836 approx.		
37	Pipe—bridge—L.H.	7H8208		1	1			7H8221			
38	Bolt—calliper to stub axle	ATB4255	KA31	4	4						
39	Washer for bolt (spring)	LWZ207	KA32	4	4						
40	Shim—calliper to stub axle (.003")	ATB4251	KA33	A/R	A/R						
41	Shim—calliper to stub axle (.005")	ATB4252		A/R	A/R						
42	Shim—calliper to stub axle (.020")	ATB4253		A/R	A/R						
43	Kit—calliper repair	8G8194		2 sets	2 sets	1					
44	Seal—piston			2	2						
45	Seal—dust			2	2						



A2990



A2915

SERVICE PARTS LIST

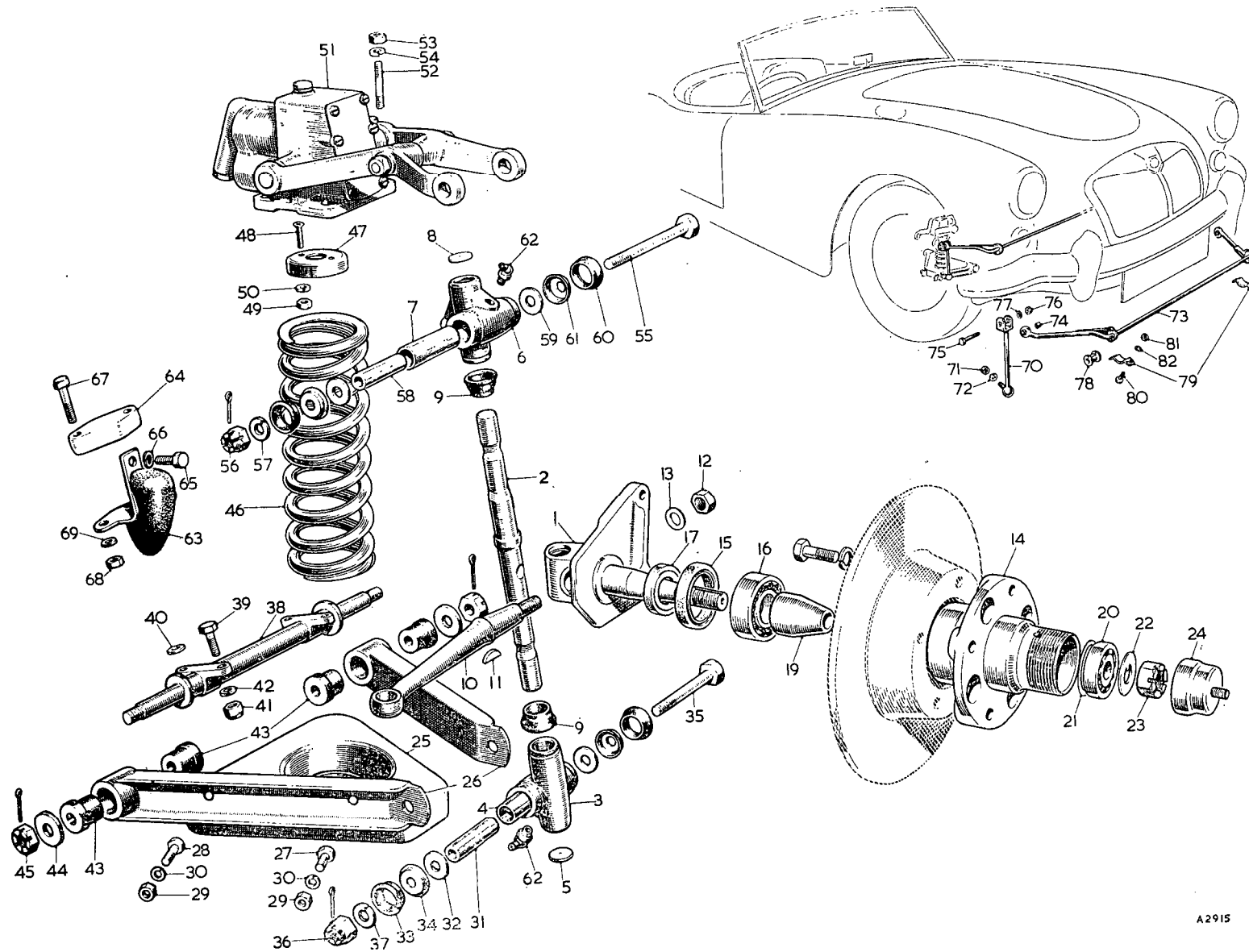
THE M.G. Series MGA TWIN CAM

Item No.	DESCRIPTION	Commencing (C) 501		Qty. per Vehicle		Unit of Issue	Type of Vehicle	MODIFICATIONS			REMARKS
		Part Number	Illus. No.	RHD	LHD			New Part Number	Change Point	Amdt. No.	
	Front Axle and Suspension—continued										
1	Spring pan assembly	126905	K25	2	2			AHH5925	Com. (C) 2275		
2	Wishbone assembly (bottom)	126908	K26	4/2	4/2						Quantity reduced at (C) 2275
3	Wishbone assembly—bottom front—R.H.			1	1			AHH5927] Com. (C) 2275		
4	Wishbone assembly—bottom front—L.H.			1	1			AHH5929			
5	Screw—spring pan to wishbone	HZS0507	K27	4/2	4/2						Quantity reduced at (C) 2275
6	Screw—spring pan to wishbone	HZS0508	K28	4	4						
7	Nut for screw	FNZ105	K29	8/6	8/6] Quantity reduced at (C) 2275
8	Washer for nut (spring)	LWZ205	K30	8/6	8/6	24					
9	Distance tube—lower link	126900	K31	2	2						
10	Washer for lower link (thrust)	127657	K32	4	4						
11	Seal—link	126902	K33	4	4						
12	Support for link seal	126903	K34	4	4						
13	Bolt—bottom wishbone to link	AHH4001	K35	2	2						
14	Nut for bolt	FNZ308	K36	2	2						
15	Washer for nut (spring)	LWZ208	K37	2	2						
16	Pivot—bottom wishbone	AHH4003	K38	2	2						
17	Bolt—pivot to member	ACB5255	K39	8	8						
18	Washer for front bolt (fitted under head)	PWZ106	K40	2	2						
19	Nut for bolt	LNZ106	K41	8	8						
20	Washer for nut (spring)	LWZ206	K42	8	8						
21	Bush—bottom wishbone	126914	K43	8	8						
22	Washer for wishbone pivot	126915	K44	4	4						
23	Nut for wishbone pivot	FNZ408	K45	4	4						
24	Spring—coil	AHH5789	K46	2	2						
25	Spigot—coil spring	AHH5897	K47	2	2						
26	Screw—spigot to cross-member	CMZ0418	K48	4	4						
27	Nut for bolt	FNZ104	K49	4	4						
28	Washer for nut (spring)	LWZ204	K50	4	4	12					
29	Absorber—shock	AHH4004	K51	2	2						
30	Stud—shock absorber to cross-member	AHH5070	K52	8	8						
31	Nut for stud	FNZ106	K53	8	8						
32	Washer for nut (spring)	LWZ206	K54	8	8						
33	Bolt—shock absorber to link	AHH4002	K55	2	2						
34	Nut for bolt	FNZ308	K56	2	2						
35	Washer for nut (spring)	LWZ208	K57	2	2						
36	Distance tube—upper link	126900	K58	2	2						
37	Washer for upper link (thrust)	127657	K59	4	4						
38	Seal for upper link	126902	K60	4	4						
39	Support for seal	126903	K61	4	4						
40	Lubricator for link	UHN405	K62	4	4						
41	Rubber—check	500822	K63	2	2						
42	Distance piece for check rubber	500823	K64	2	2						
43	Screw—check rubber to cross-member	HZS0504	K65	2	2						
44	Washer for screw (spring)	LWZ205	K66	2	2	24					
45	Bolt—check rubber to cross-member	HBZ0512	K67	4	4						
46	Nut for bolt	FNZ105	K68	4	4						
47	Washer for nut (spring)	LWZ205	K69	4	4	24					

SERVICE PARTS LIST

THE M.G. Series MGA TWIN CAM

Item No.	DESCRIPTION	Commencing (C) 501		Qty. per Vehicle		Unit of Issue	Type of Vehicle	MODIFICATIONS			REMARKS
		Part Number	Illus. No.	RHD	LHD			New Part Number	Change Point	Amdt. No.	
	Front Axle and Suspension—continued										
1	Link—anti-roll bar—R.H.		K70	1	1			AHH5931	Com. (C) 2275		
2	Link—anti-roll bar—L.H.			1	1			AHH5932			
3	Nut—link to spring pan		K71	2	2			FNZ108			
4	Washer for nut (spring)		K72	2	2			LWZ208			
5	Bar assembly—anti-roll		K73	1	1			AHH5940			
6	Bush		K74	2	2			AHH5939			
7	Bolt—link to bar		K75	2	2			AHH5941			
8	Nut for bolt		K76	2	2			LNZ107			
9	Washer for nut (plain)		K77	2	2			PWZ107			
10	Bush—anti-roll bar		K78	2	2			AHH5934			
11	Housing for bush		K79	2	2			AHH5935			
12	Screw—housing to member		K80	4	4			HZS0505			
13	Nut for screw		K81	4	4			FNZ105			
14	Washer for nut (spring)		K82	4	4	24		LWZ205			



A2915