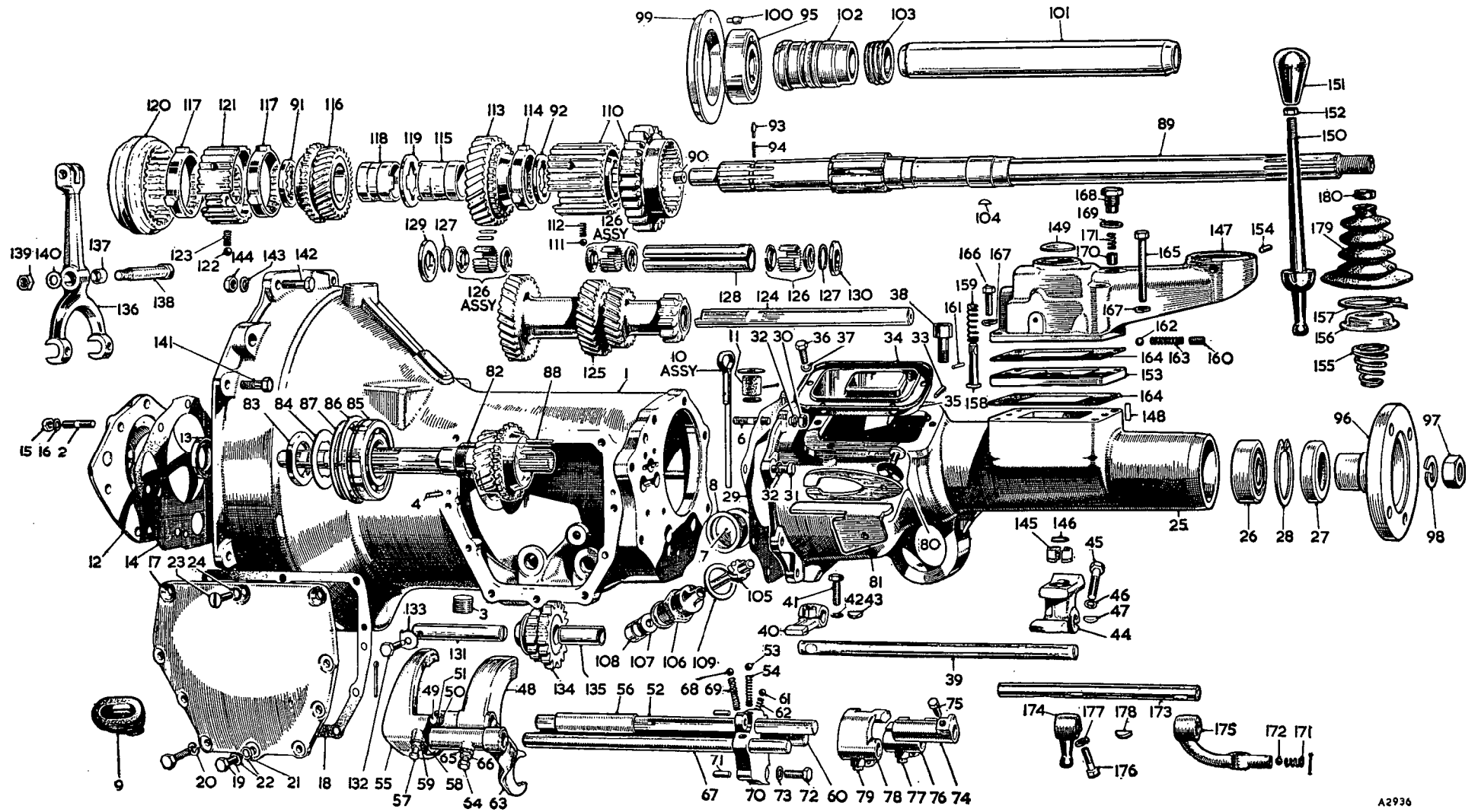


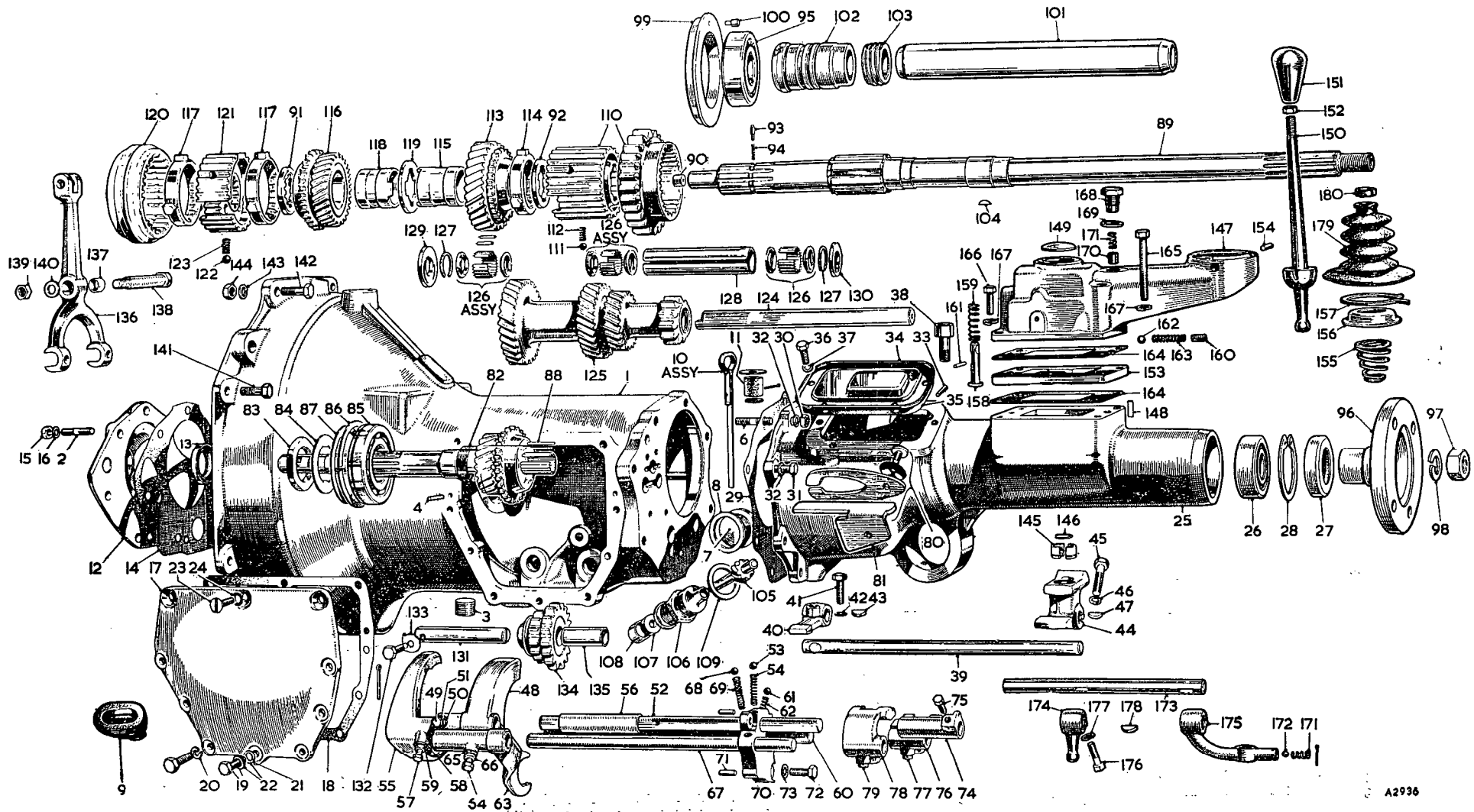
SERVICE PARTS LIST

THE M.G. Series MGA TWIN CAM

Item No.	DESCRIPTION	Commencing (E) 101		Qty. per Vehicle		Unit of Issue	Type of Vehicle	MODIFICATIONS			REMARKS
		Part Number	Illus. No.	RHD	LHD			New Part Number	Change Point	Amdt. No.	
	GEAR BOX										
1	Gearbox assembly	1H3282		1	1						
2	Casing—gearbox	48G129	F1	1	1						
3	Stud—front cover	53K2172	F2	7	7						
4	Plug—drain	6K499	F3	1	1						
5	Dowel—sliding shaft locating block	AEG3108	F4	2	2						
6	Plug—welch	2K8158	F5	1	1						
7	Stud—gearbox extension	CHS2513	F6	2	2						
8	Plug—blanking	8G500	F7	2	2						
9	Joint washer for blanking plug	2K4971	F8	2	2						
10	Dust cover—clutch withdrawal lever	1G3667	F9	1	1						
11	Dipstick	1G3802	F10	1	1						
12	Felt	1G3804	F11	1	1						
13	Cover assembly—front	1H3147	F12	1	1			48G129		544	
14	Seal—oil	1H3138	F13	1	1						
15	Joint—front cover assembly	1G3666	F14	1	1	12					
16	Nut for front cover studs	FNZ105	F15	7	7						
17	Washer for nut (spring)	LWZ305	F16	7	7						
18	Cover—side	1G3656	F17	1	1						
19	Joint for side cover	1G3658	F18	1	1	12					
20	Set screw fixing side cover	53K147	F19	7	7						
21	Washer for screw (spring)	LWZ305	F20	6	6						
22	Washer for screw (fibre)	2K4958	F21	1	1	36					
23	Washer for screw (plain)	PWZ105	F22	1	1						
24	Screw fixing side cover (countersunk)	53K162	F23	3	3						
25	Washer for screw (shakeproof)	6K9012	F24	3	3						
26	Extension—gearbox	1H3273	F25	1	1						
27	Bearing—rear extension	6K529	F26	1	1						
28	Seal—oil	1H3275	F27	1	1						
29	Circlip for oil seal	CCN240	F28	1	1						
30	Joint—extension to gearbox	1G3712	F29	1	1	12					Correction. Was 1H3276
31	Nut for extension stud	FNZ105	F30	2	2						
32	Set screw—rear extension to gearbox	HCZ0510	F31	6	6						
33	Washer for nut and screw (spring)	LWZ305	F32	8	8						
34	Plug—extension (taper)	2K1356	F33	1	1	36					
35	Cover—extension side	1G3809	F34	1	1						
36	Joint—extension side cover	1G3810	F35	1	1	12					
37	Set screw fixing cover	HZS0405	F36	6	6						
38	Washer for screw (spring)	LWN204	F37	6	6						
39	Breather assembly	1G3668	F38	1	1						



A2936



A2936

SERVICE PARTS LIST

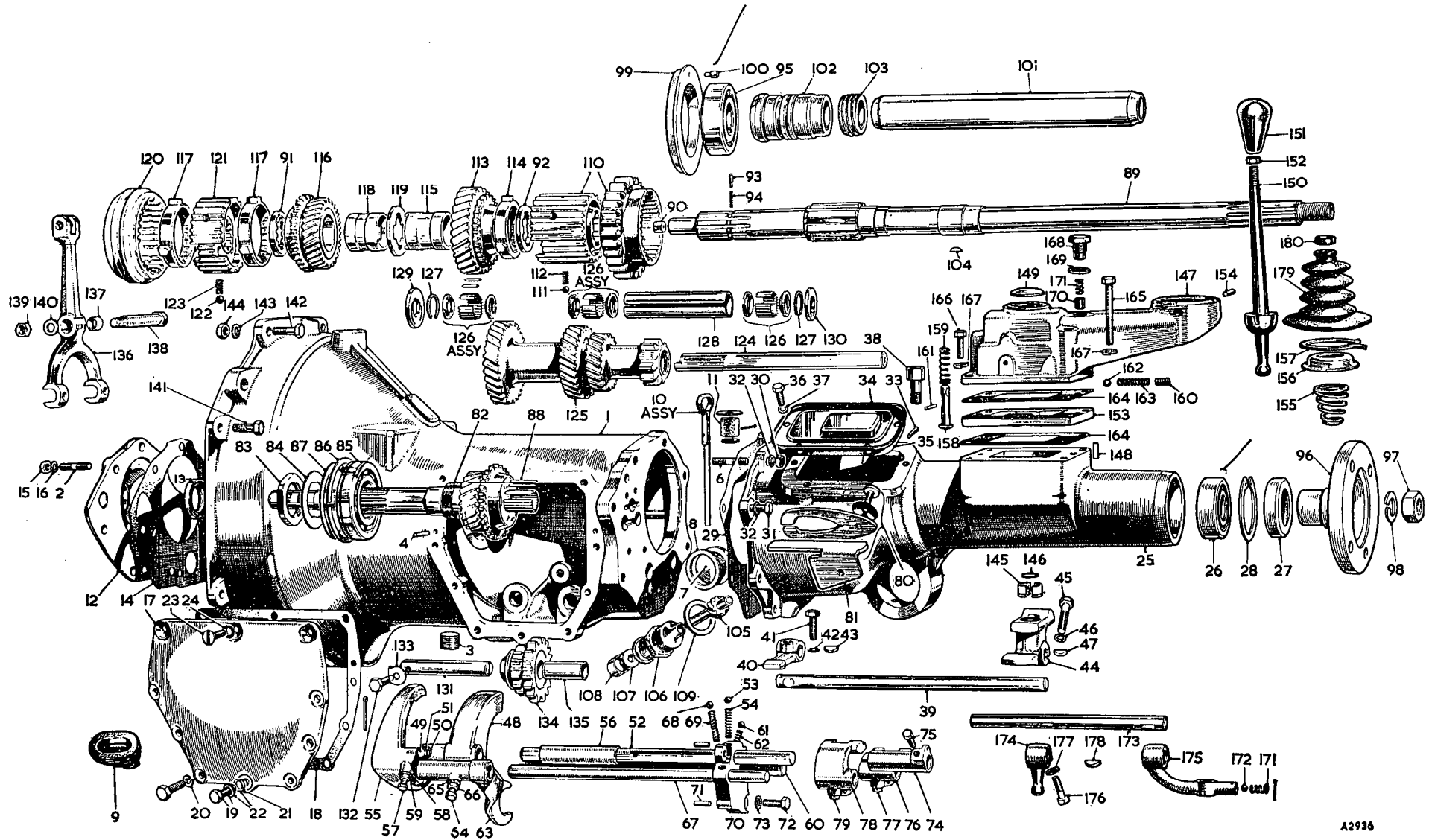
THE M.G. Series MGA TWIN CAM

Item No.	DESCRIPTION	Commencing (E) 101		Qty. per Vehicle		Unit of Issue	Type of Vehicle	MODIFICATIONS			REMARKS
		Part Number	Illus. No.	RHD	LHD			New Part Number	Change Point	Amdt. No.	
	Gearbox—continued										
1	Shaft—remote control	1H3368	F39	1	1						
2	Lever—front selector	1G3680	F40	1	1						
3	Set screw—front lever	51K1030	F41	1	1						
4	Washer for screw (shakeproof)	LWN604	F42	1	1						
5	Key—selector lever	WKN404	F43	1	1						
6	Lever—rear selector	1H3095	F44	1	1						
7	Set screw for rear lever	51K1031	F45	1	1						
8	Washer for screw (spring)	2K5319	F46	1	1						
9	Key for selector lever	WKN404	F47	1	1						
10	Fork—1st and 2nd speed	11G3135	F48	1	1						
11	Screw—fork locating	2A3141	F49	1	1						
12	Washer for screw (shakeproof)	LWN604	F50	1	1						
13	Nut for screw	FNN504	F51	1	1						
14	Shaft—1st and 2nd speed fork	11G3079	F52	1	1						
15	Ball—shaft	BLS110	F53	1	1	12					
16	Spring—ball	2K4909	F54	1	1	36					
17	Fork—3rd and 4th speed	1H3257	F55	1	1						
18	Distance piece—3rd and 4th speed fork	1H3258	F56	1	1						
19	Screw—fork locating	2A3141	F57	1	1						
20	Washer for screw (shakeproof)	LWN604	F58	1	1						
21	Nut for screw	FNN504	F59	1	1						
22	Shaft—3rd and 4th speed fork	11G3140	F60	1	1						
23	Ball—shaft	BLS110	F61	1	1	12					
24	Spring—ball	2K4909	F62	1	1	36					
25	Fork—reverse	11G3134	F63	1	1						
26	Screw—fork locating	2A3141	F64	1	1						
27	Washer for screw (shakeproof)	LWN604	F65	1	1						
28	Nut for screw	FNN504	F66	1	1						
29	Shaft—reverse fork	11G3137	F67	1	1						
30	Ball—shaft	BLS110	F68	1	1	12					
31	Spring—ball	2K4909	F69	1	1	36					
32	Block—shaft locating	11G3187	F70	1	1				22475		483
33	Dowel—locating block to gearbox	AEG3108	F71	2	2						
34	Set screw—block to casing	HNS0407	F72	2	2						
35	Washer for screw (spring)	LWN204	F73	2	2						
36	Selector—1st and 2nd gear	11G3132	F74	1	1						
37	Screw—selector locating	1G3708	F75	1	1						
38	Wire—selector locking	2K7420		1	1						

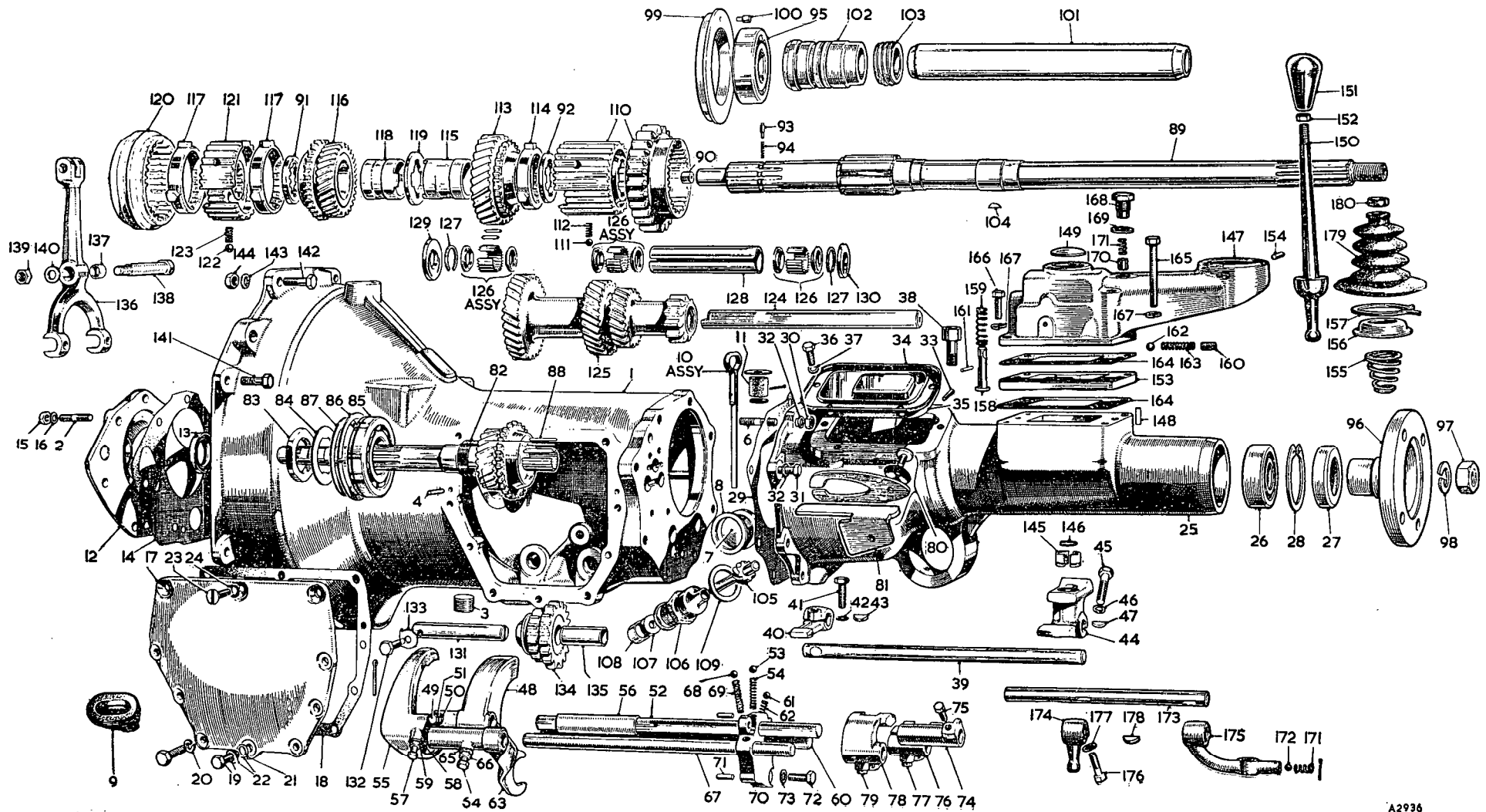
SERVICE PARTS LIST

THE M.G. Series MGA TWIN CAM

Item No.	DESCRIPTION	Commencing (E) 101		Qty. per Vehicle		Unit of Issue	Type of Vehicle	MODIFICATIONS			REMARKS
		Part Number	Illus. No.	RHD	LHD			New Part Number	Change Point	Amtd. No.	
	Gearbox—continued										
1	Selector—3rd and 4th gear	11G3133	F76	1	1						
2	Screw—selector locating	1G8708	F77	1	1						
3	Wire—selector locking	2K7420		1	1						
4	Selector—reverse gear	11G3131	F78	1	1						
5	Screw—selector locating	1G8708	F79	1	1						
6	Wire—selector locking	2K7420		1	1						
7	Interlock arm (complete)	1H3092	F80	1	1				22H35	534	
8	Support plate	1H3093	F81	1	1				22H35		
9	Shaft—1st motion	1G3611	F82	1	1						
10	Nut for shaft	1G3584	F83	1	1						
11	Lock washer for nut	1A3717	F84	1	1	24					
12	Bearing—shaft front	6K885	F85	1	1						
13	Spring ring—bearing	6K886	F86	1	1						
14	Shim—bearing	6K907	F87	A/R	A/R						
15	Shim—bearing	6K908		A/R	A/R						
16	Roller—needle	6K892	F88	18	18	36					
17	Shaft—3rd motion	1H3277	F89	1	1						
18	Restrictor—oil	1A1964	F90	1	1						
19	Washer—thrust (.1565 to .1575")—front	11G3127	F91	A/R	A/R						
20	Washer—thrust (.1585 to .1595")—front	11G3128		A/R	A/R						
21	Washer—thrust (.1605 to .1615")—front	11G3129		A/R	A/R						
22	Washer—thrust (rear)	1G3492	F92	1	1						
23	Peg—front thrust washer	1G3268	F93	1	1	12					
24	Spring—peg	2K8960	F94	1	1						
25	Bearing—shaft rear	6K528	F95	1	1						
26	Flange—3rd motion shaft	1H3304	F96	1	1						
27	Nut for flange	FNZ612	F97								
28	Washer for nut (spring)	LWZ212	F98								
29	Housing—bearing	1G3586	F99	1	1						
30	Peg—locating	1G3530	F100	1	1						
31	Distance piece—speedometer wheel to rear extension bearing	AEH3242	F101	1	1						
32	Distance piece—3rd motion shaft	11G3223	F102	1	1						Correction. Was 1H3279
33	Gear—speedometer drive	1H3151	F103	1	1						
34	Key for gear	WKN304	F104	1	1						
35	Pinion—speedometer drive	1H3241	F105	1	1						
36	Bush for pinion	2A3256	F106	1	1						
37	Oil seal—pinion	2A3254	F107	1	1	12					
38	Ring—oil seal retaining	2A3255	F108	1	1						
39	Joint—pinion bush	51K3169	F109	1	1						



A2936

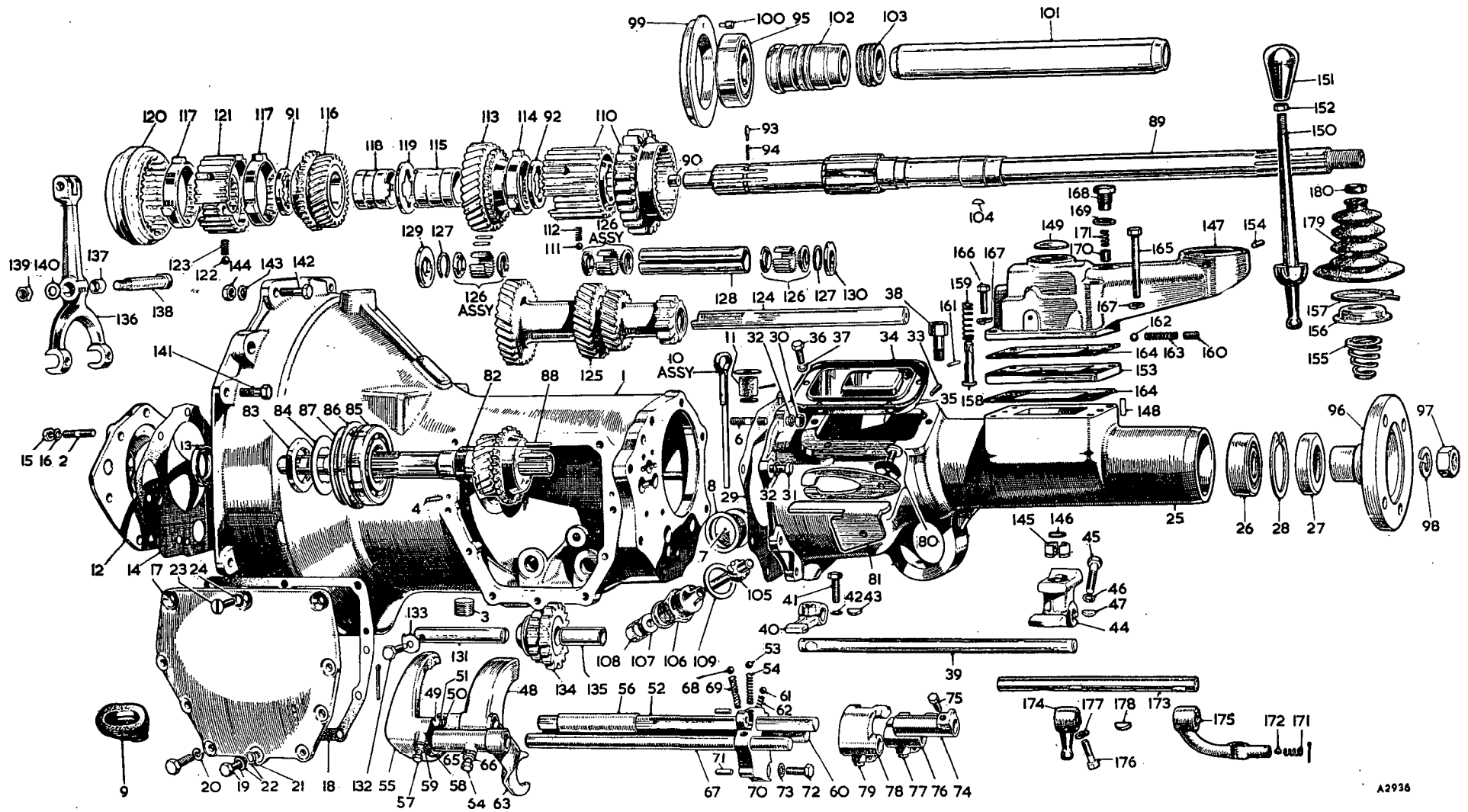


A2936

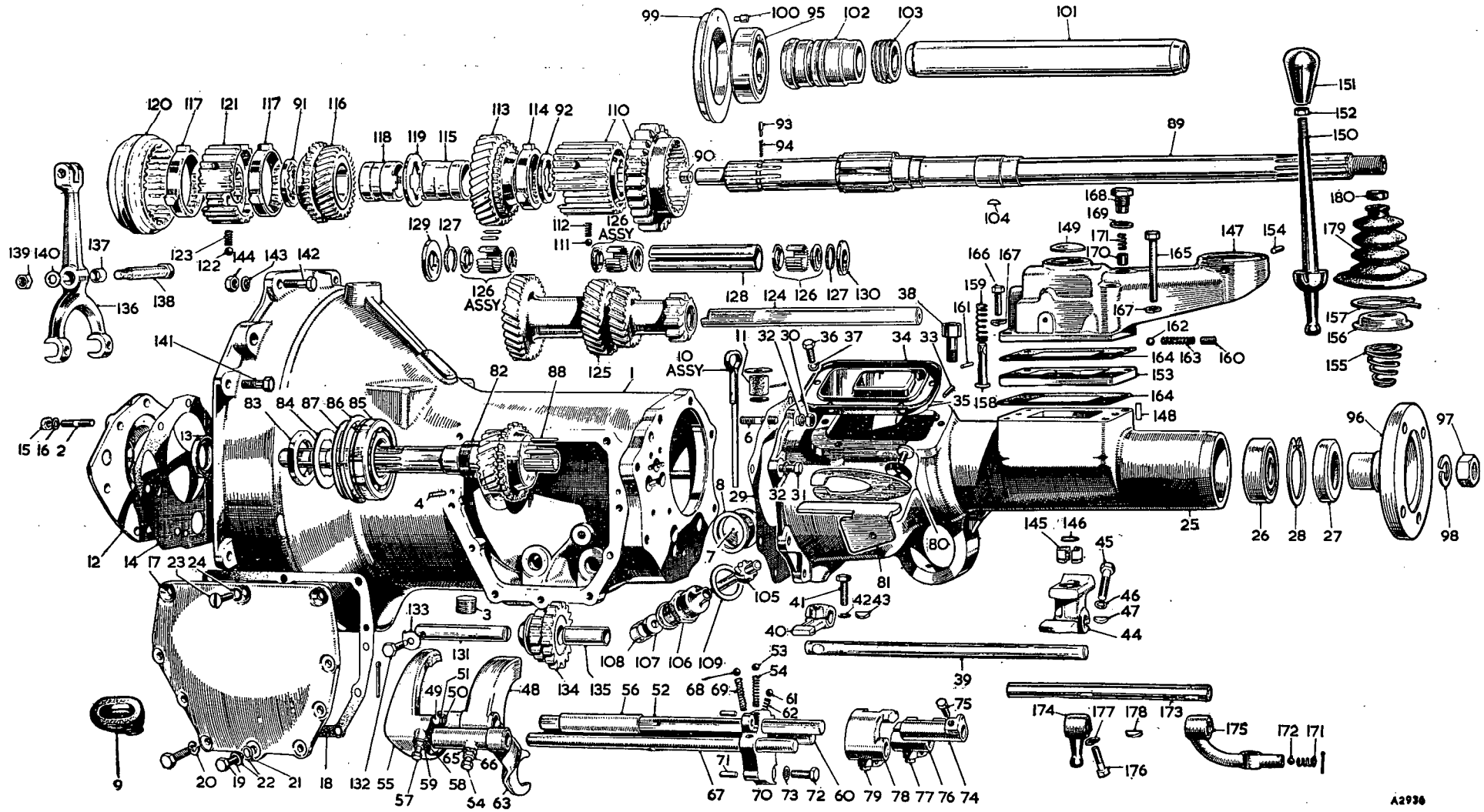
SERVICE PARTS LIST

THE M.G. Series MGA TWIN CAM

Item No.	DESCRIPTION	Commencing (E) 101		Qty. per Vehicle		Unit of Issue	Type of Vehicle	MODIFICATIONS			REMARKS
		Part Number	Illus. No.	RHD	LHD			New Part Number	Change Point	Amdt. No.	
	Gearbox—continued										
1	Gear—1st speed and synchronizer	48G137	F110	1	1						
2	Ball—synchronizer	BLS109	F111	3	3	12					
3	Spring—ball	6K884	F112	3	3						
4	Gear—2nd speed	11G3064	F113	1	1						
5	Baulk ring—2nd speed gear	11G3063	F114	1	1						
6	Bush—2nd speed gear	11G3028	F115	1	1						
7	Gear—3rd speed	1G3594	F116	1	1						
8	Baulk ring—3rd and 4th speed gear	11G3022	F117	2	2						
9	Bush—3rd speed gear	11G3029	F118	1	1			1/H3526		534	
10	Ring—interlocking	1G3331	F119	1	1						
11	Coupling—sliding—3rd and 4th speed	1G3598	F120	1	1						
12	Synchronizer—3rd and 4th speed	1G3597	F121	1	1						
13	Ball—synchronizer	BLS109	F122	3	3	12					
14	Spring—ball	6K884	F123	3	3						
15	Layshaft	1H3305	F124	1	1						
16	Gear unit—layshaft	11G3024	F125	1	1						
17	Bearing—needle-roller	3H2865	F126	3	3						
18	Spring ring—needle-roller	11G3027	F127	4	4						
19	Distance piece for bearing	11G3026	F128	1	1						
20	Washer—thrust (front)	1G3576	F129	A/R	A/R						
21	Washer—thrust (.154 to .156")—rear	1G3577	F130	A/R	A/R						
22	Washer—thrust (.157 to .158")—rear	1G3578		A/R	A/R						
23	Washer—thrust (.160 to .161")—rear	1G3579		A/R	A/R						
24	Washer—thrust (.163 to .164")—rear	1G3580		A/R	A/R						
25	Shaft—reverse	11G3093	F131	1	1						
26	Shaft—reverse	11G3124		1	1] Alternatives
27	Screw—locking		F132	1	1						
28	Lock washer for screw	1B3363	F133	1	1						
29	Gear—reverse	11G3090	F134	1	1						
30	Bush	11G3092	F135	1	1						
31	Lever assembly—clutch withdrawal	11G3193	F136	1	1						
32	Bush	11G3195	F137	1	1						
33	Bolt for lever	11G3196	F138	1	1						
34	Locknut for bolt	LNZ206	F139	1	1						
35	Washer for locknut	11G3199	F140	1	1						
36	Bolt—gearbox to mounting plate	HBZ0510	F141	7/6	7/6						Quantity reduced at (E) 657
37	Bolt—vent pipe clip and gearbox to mounting plate		F142	1	1			HBZ0511	Com. (E) 657		
38	Washer for bolt (spring)	LWZ305	F143	7	7						
39	Nut for bolt	FNZ505	F144	7	7						
40	Bush for rear selector lever	1G3704	F145	1	1						
41	Circlip for lever bush	1G3709	F146	1	1						



A2936



A2936

SERVICE PARTS LIST

THE M.G. Series MGA TWIN CAM

Item No.	DESCRIPTION	Commencing (E) 101		Qty. per Vehicle		Unit of Issue	Type of Vehicle	MODIFICATIONS			REMARKS
		Part Number	Illus. No.	RHD	LHD			New Part Number	Change Point	Amdt. No.	
	Gearbox—continued										
1	Remote control	AEG3001		1	1						
2	Tower—remote control	AEG3117	F147	1	1						
3	Dowel—remote control tower	AEG3101	F148	2	2						
4	Core plug—tower	CA1056	F149	1	1						
5	Lever—change speed	AEG3112	F150	1	1						
6	Knob—change speed lever	1G8706	F151	1	1						
7	Locknut for change speed lever knob	FNP205	F152	1	1						
8	Stop plate	AEG3118	F153	1	1						
9	Snug—change speed ball	AEG3106	F154	2	2						
10	Spring—change speed lever	AEG3105	F155	1	1						
11	Cover—ball spring	1G3927	F156	1	1						
12	Circlip for ball spring cover	1H3087	F157	1	1						
13	Plunger—reverse selector	AEG3120	F158	1	1						
14	Spring—reverse plunger	1G3863	F159	1	1						
15	Plug—reverse plunger	2K6534	F160	1	1						
16	Dowel—reverse plunger	1G3713	F161	1	1						
17	Ball—reverse plunger	BLS110	F162	1	1	12					
18	Spring—reverse plunger detent	2K4909	F163	1	1	36		22A.75		483	
19	Joint—control tower	1G3711	F164	2	2	12					
20	Bolt—tower (long)	NCS0509	F165	2	2						
21	Bolt—tower (short)	HCN0522	F166	2	2						
22	Washer for bolt (spring)	2K5319	F167	4	4						
23	Plug—ball-retaining	AEG3113	F168	1	1						
24	Washer for plug	AEG3122	F169	1	1						
25	Plunger	AEG3124	F170	1	1						
26	Spring—plunger	AEG3123	F171	2	2						
27	Ball—selector lever	BLS108	F172	1	1	144					
28	Shaft—remote control	AEG3114	F173	1	1						
29	Lever—selector (front)	AEG3115	F174	1	1						
30	Lever—selector (rear)	AEG3116	F175	1	1						
31	Screw for front and rear levers	HZS0407	F176	2	2						
32	Washer for screw (spring)	LWZ204	F177	2	2	12					
33	Key	JA5732	F178	2	2						
34	Draught excluder—gear lever (rubber)	14A1468	F179	1	1						
35	Ring—draught excluder	AHH5388	F180	1	1						