

BI457

SERVICE PARTS LIST

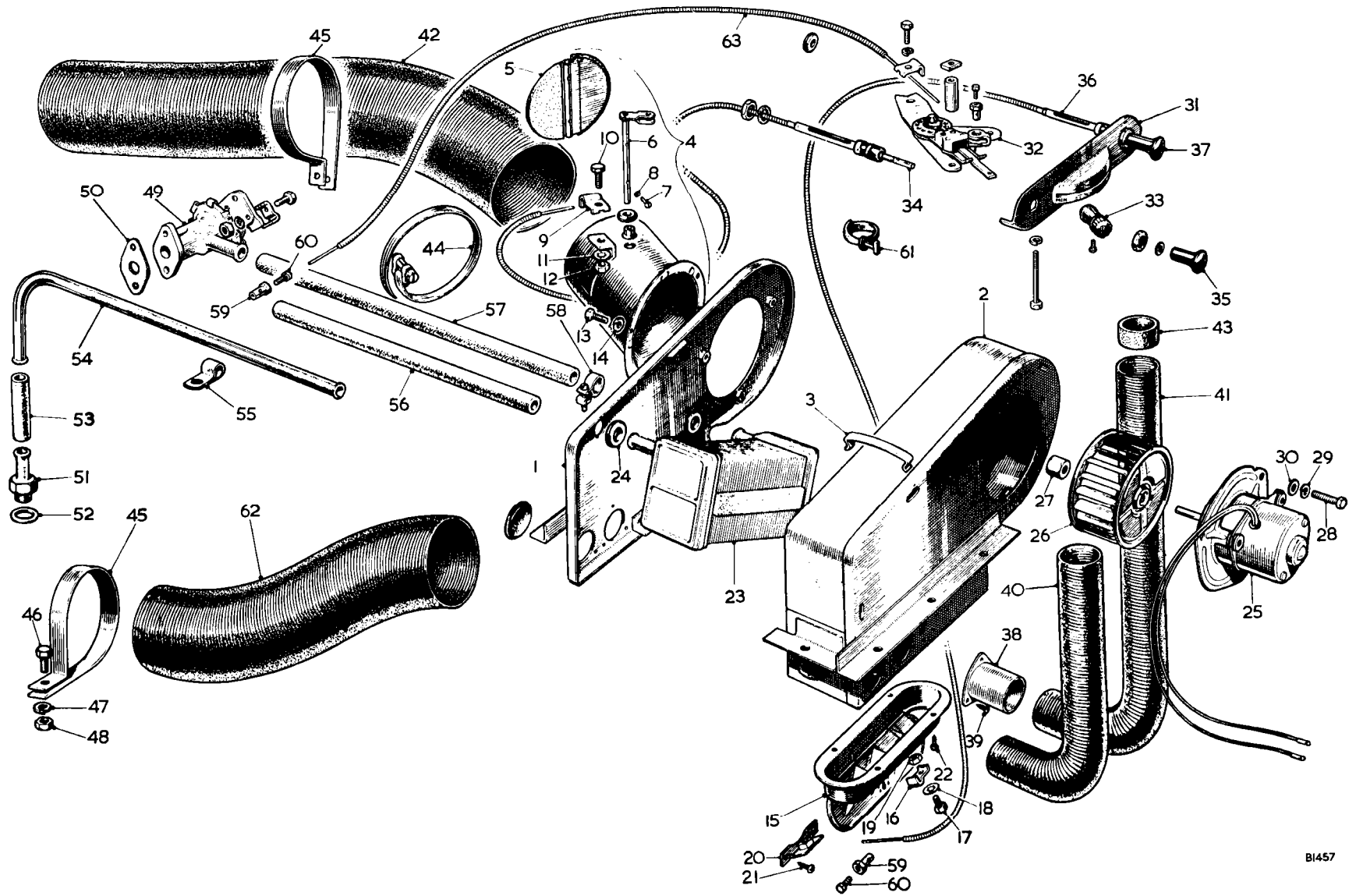
THE MGA 1600

Item No.	DESCRIPTION	Commencing (C) 68851		Quantity	MODIFICATIONS		REMARKS
		Part Number	Illus. No.		New Part Number	Change Point	
HEATING AND VENTILATING EQUIPMENT (Optional Extra)							
1	Heater kit	AHH5422		1			
2	Heater unit assembly	AHH5423		1			
3	Cover	7H1998	1	1			
4	Cover—motor side	17H2400	2	1			
5	Clip—cover	17H1595	3	5			
6	Tube assembly—air intake	17H2401	4	1			
7	Flap—valve	7H1996	5	1			
8	Spindle	17H1802	6	1			
9	Screw—flap	AJD1744Z	7	2			
10	Washer—screw	17H1608	8	2			
11	Clamp—cable	7H1997	9	1			
12	Screw—clamp	58K126	10	1			
13	Washer—shakeproof—screw	LWZ408	11	1			
14	Nut—screw	FNZ103	12	1			
15	Screw—air intake tube to heater cover	AJD1012	13	3			
16	Washer—spring—screw	LWZ303	14	3			
17	Door assembly—outlet	7H1995	15	1			Not available; use components
18	Door assembly—outlet	17H2403	15	1			
19	Clamp—cable	7H1997	16	1			
20	Screw—clamp	58K126	17	1			
21	Washer—shakeproof—screw	LWZ408	18	1			
22	Nut—screw	FNZ103	19	1			
23	Bracket—cable clamp	27H1190	20	1			
24	Screw—bracket to door assembly	PJZ602	21	2			
25	Screw—outlet door to heater	PJZ602	22	4			
26	Radiator	27H1480	23	1	17H1590		27H1480 not available; use 17H1590
27	Grommet	7H1993	24	2			
28	Motor and runner assembly	17H1	25	1			Not available; use components
29	Motor and mounting plate	7H6836	25	1			
30	Runner	17H1574	26	1			
31	Nut—collet	27H602	27	1			
32	Screw—motor to cover	AJD1012	28	3			
33	Washer—spring—screw	LWZ303	29	3			
34	Washer—plain—screw	PWZ103	30	3			
35	Lever control assembly—less cables	AHH5531	31	1			
36	Escutcheon—heater control unit	17H518	31	1			
37	Lever control sub assembly	7H1985	32	1			
38	Lever and switch assembly	7H1986	33	1			
39	Knob	7H1980	33	1	17H490		7H1980 not available; use 17H490
40	Bolt	27H1208	34	2			
41	Spacer (long) 5/8"	24B682	35	2			
42	Spacer (short) 1/4"	24B683	35	2			
43	Control cable and knob assembly—air	AHH5601	36	1			
44	Knob	17H827	36	1			
45	Control cable and knob assembly—demist	AHH5602	37	1			
46	Knob	17H827	37	1			

SERVICE PARTS LIST

THE MGA 1600

Item No.	DESCRIPTION	Commencing (C) 68851		Quantity	MODIFICATIONS		REMARKS
		Part Number	Illus. No.		New Part Number	Change Point	
	Heater and Ventilating Equipment—continued						
1	Tube—demister	14A5754	38	2			Part No. change; was AHH5426
2	Screw—fixing demister tube	AHH5591	39	6			
3	Hose—air (14")	AHH5427	40	1			
4	Hose—air (25")	AHH5428	41	1			
5	Hose—air (31")	AHH5430	42	1			
6	Adaptor	AHH5429	43	2			
7	Clip	14G800	44	1			
8	Clip (large)	AHH5714	45	2			
9	Screw—clip	PMZ0316	46	2			
10	Washer—spring—screw	LWZ203	47	2			
11	Nut—screw	FNZ103	48	2			
12	Valve assembly—water	BHA4132	49	1			
13	Gasket—water valve	AHH5433	50	1			
14	Screw—water valve	HZS0406		1			
15	Screw—water valve	HZS0407		1			
16	Union—water	AMK8847	51	1			
17	Washer	AAA4657	52	1			Part No. change; was 300398 Not available; use 37H537
18	Hose—water (2½")	AHH5434	53	1			
19	Pipe—return water	AHH5435	54	1			
20	Clip	PCR0813	55	2			Part No. change; was AHH5436 Not available; use 37H537
21	Hose—water (12½")	AHH5437	56	1			
22	Hose—water (14")	AHH5438	57	1			
23	Hose—water	37H537		A/R			Supplied in multiples of feet
24	Clip—hose	301140	58	6			
25	Trunnion	14G6451	59	4			
26	Screw—trunnion	53K155	60	4			
27	Clip—cable	AHH5440	61	1			
28	Hose—air	AHH5394	62	1			
29	Cable assembly	AHH5529	63	1			
30	Cold air kit	AHH5532		1			
31	Case assembly	AHH5537		1			
32	Switch and knob	AHH5910		1			
33	Trunnion	14G6451		1			
34	Hose—air (31")	AHH5430		1			
35	Clip	14G800		1			
36	Clip—large	AHH5714		2			
37	Washer—spring	LWZ203		2			
38	Nut	FNZ103		2			
39	Hose—air	AHH5394		1			
40	Cable and knob assembly—air control	AHH5750		1			
41	Bracket—push pull control	AHH5911		1			
42	Bracket—switch	AHH5912		1			
43	Screw fixing bracket	17H1940		4	PTZ603		17H1940 not available; use PTZ603



B1457

Item No.	DESCRIPTION	Commencing (C) 68851		Quantity	MODIFICATIONS		REMARKS	
		Part Number	Illus. No.		New Part Number	Change Point		
TOOL KIT								
1	Bag—tool	AAA3447		1			Part No. change; was 181756	
2	Strap—tool bag	AAA4258		2			Part No. change; was 186890	
3	Roll—tool	ACG5247		1				
4	Spanner—box— $\frac{7}{16}$ " x $\frac{1}{2}$ " (U.N.F.)	BXS0708		1] Fin. (C) 98547		
5	Spanner—box— $\frac{9}{16}$ " x $\frac{5}{8}$ " (U.N.F.)	BXS0910		1				
6	Spanner—box— $\frac{11}{16}$ " x $\frac{3}{4}$ " (U.N.F.)	BXS1112		1				
7	Spanner— $\frac{7}{16}$ " x $\frac{1}{2}$ " (U.N.F.)	JEN0708		1				
8	Spanner— $\frac{9}{16}$ " x $\frac{5}{8}$ " (U.N.F.)	JEN0910		1				
9	Spanner— $\frac{11}{16}$ " x $\frac{3}{4}$ " (U.N.F.)	JEN1112		1				
10	Spanner—box—sparking plug	AJD6918		1	1B8995	Com. (C) 93548		
11	Tommy bar	ACA5210		1				
12	Spanner—tappet adjusting (ring type)	ACH5245		1] Fin. (C) 93547		
13	Spanner—cylinder head	ACH5895		1				Part No. change; was ACH5286
14	Gauge—tappet feeler (.015")	97H2724		1				Part No. change; was ACH5244
15	Spanner—adjustable	2H2646		1				Part No. change; was ACG5288
16	Screwdriver (recessed head screw)	ACH5400		1				
17	Screwdriver	ACA5218		1				
18	Pliers	AJJ279		1				
19	Lever—tyre (spoon)	AJJ281		2				
20	Spanner—tyre valve	AMK9958		1				
21	Screwdriver—distributor and gauge	97H2724		1				Part No. change; was 8H2048
22	Key—rear axle drain plug	1G7872		1				
23	Pump—tyre with connection	BHA4067		1				
24	Grease gun	BHA4070		1	97H2627		BHA4070 not available; use 97H2627	
25	Handle—starting	AHH5080		1] Com. (C) 93548		
26	Jack—lifting	AHH5124		1	AHH5086			AHH5080 not available; use AHH5086 together with AHH5087
27	Tommy bar—jack			1	AHH5987			
28	Brace—wheel	ACA5217		1	1B8997			
29	Hammer—copper	88G329		1				Part No. change; was 11B5166
30	Spanner—hub cap	AHH5839		1			Germany and Switzerland	
SERVICE TOOLS								
REFERENCE MUST BE MADE TO PUBLICATION AKD770								
LITERATURE								
REFERENCE MUST BE MADE TO PUBLICATION AKD858								

Item No.	DESCRIPTION	Commencing (C) 68851		Quantity	MODIFICATIONS		REMARKS
		Part Number	Illus. No.		New Part Number	Change Point	
	PAINT] Refer to B.M.C. Service Paint Scheme Book
	Colour B.M.C. Code						
1	Alamo Beige		BG9				
2	Dove Grey		GR26				
3	Chariot Red		RD16				
4	Iris Blue		BU12				
5	Old English White		WT3				
6	Black		BK1				
7	Aluminium		AL1				