

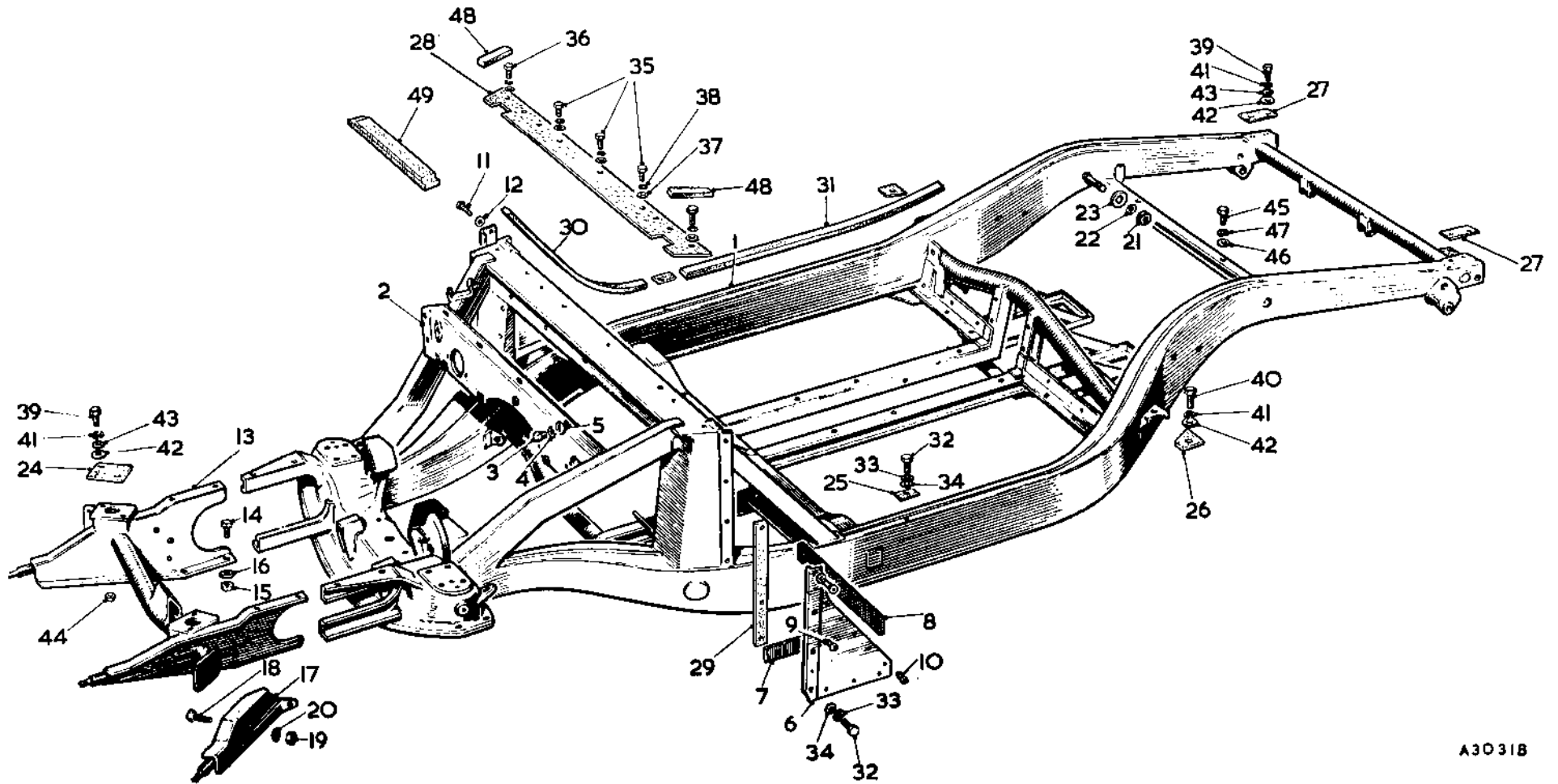
A30318

SERVICE PARTS LIST

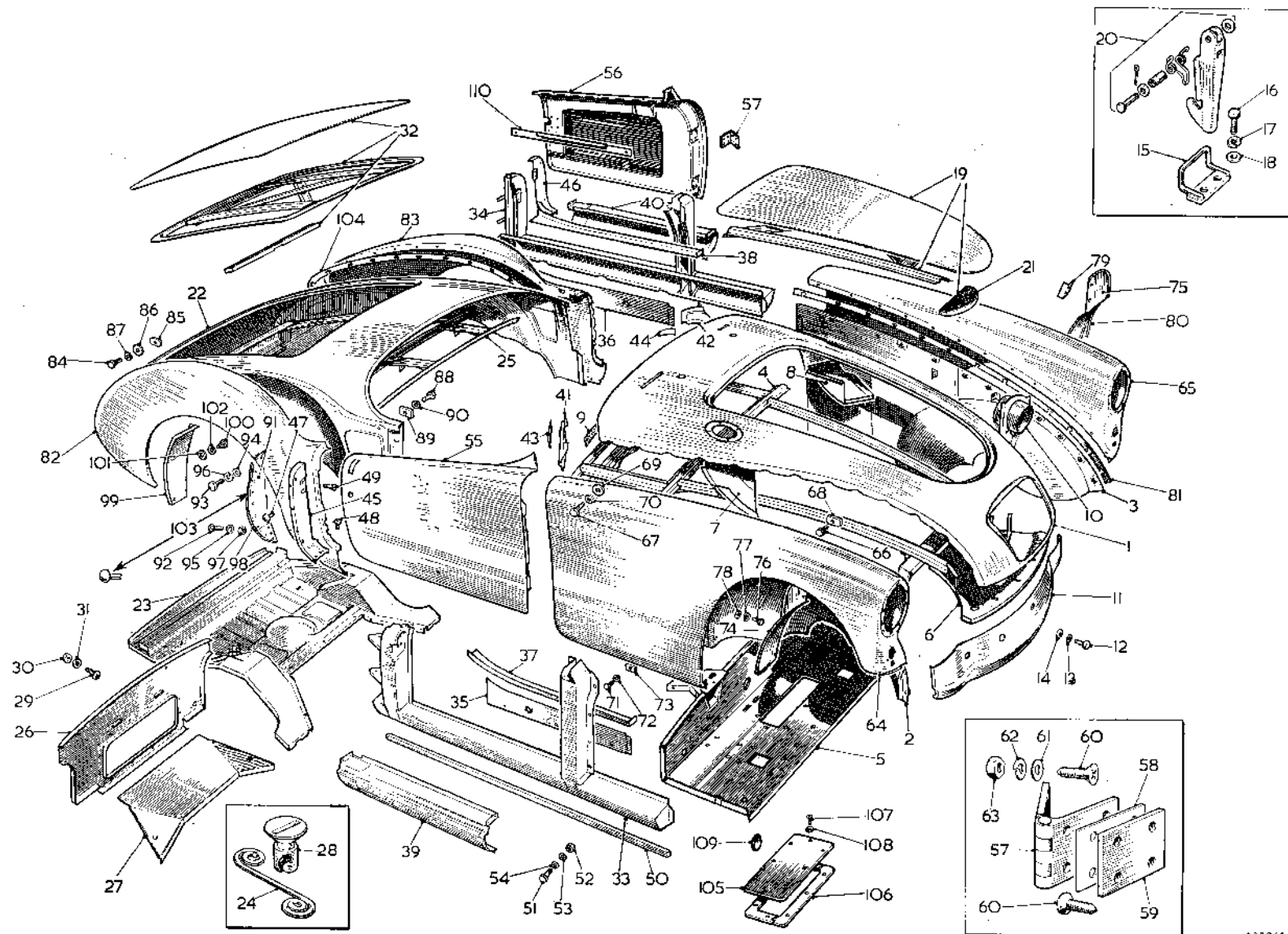
THE MGA 1600

Item No.	DESCRIPTION	Commencing (C) 68851		Quantity	MODIFICATIONS		REMARKS
		Part Number	Illus. No.		New Part Number	Change Point	
CHASSIS FRAME							
1	Frame—chassis	AHH5950	1	1	AHH6131	Com. (C) 100352	AHH5950 not available; use AHH6131] Standard model
2	Frame—chassis			1	AHH5708 AHH6130	Com. (C) 91240 Com. (C) 100352	
3	Plate assembly toeboard support	AHH5293	2	1			
4	Screw—toeboard plate to goal post	HPZ0406	3	9	HZS0406		HZS0406 not available; use HZS0406
5	Washer—spring screw	LWZ204	4	9			
6	Washer—plain—screw	PWZ104	5	9			
7	Coverplate—goal post—R/H	AHH5343		1			
8	Coverplate—goal post—L/H	AHH5344	6	1			
9	Seal—coverplate lower (felt)	AHH5345	7	2			
10	Seal—coverplate upper (felt)	AHH5346	8	2			
11	Screw—coverplate to goal post	CTZ803	9	6			
12	Screw—coverplate to goal post stay	PTZ1003	10	8			
13	Screw—coverplate to goal post stay	PTZ1005	11	2			
14	Washer—plain—screw	PWZ203	12	2			
15	Extension assembly (front)	AHH5924	13	1			
16	Screw—extension to frame bracket	HZS0606	14	8			
17	Nut—screw	FNZ106	15	8			
18	Washer—spring—screw	LWZ206	16	8			
19	Bracket assembly—bumper support—R/H	AHH5139		1			
20	Bracket assembly—bumper support—L/H	AHH5140	17	1			
21	Screw—bracket assembly to front extension	HNS0506	18	6			
22	Nut—screw	FNZ105	19	6			
23	Washer—spring—screw	LWZ205	20	6			
24	Nut—rebound strap spindle	FNZ106	21	2			
25	Washer—spring—nut	LWZ206	22	2			
26	Washer—plain—nut	PWZ206	23	2			
27	Bracket assembly—abutment (starter switch)				AHH5809	Com. (C) 91240	All round disc brakes model

Item No.	DESCRIPTION	Commencing (C) 68851		Quantity	MODIFICATIONS		REMARKS
		Part Number	Illus. No.		New Part Number	Change Point	
BODY MOUNTING							
1	Packing—front extension support bracket	AHH5173	24	2			
2	Packing—front door post	AHH5174	25	2			
3	Packing—shut pillar body mounting bracket	AHH5175	26	2			
4	Packing—rear body mounting bracket	AHH5176	27	2			
5	Packing—cross bar cover plate	AHH5177	28	1			
6	Packing—cross bar cover plate			1	AHH5781	Com. (C) 91240	Standard model All round disc brakes model
7	Packing—frame goal post upright (outer)	AHH5178	29	2			
8	Sealing strip—body/front frame side (rubber)	AHH5408	30	2			
9	Sealing strip—body/rear frame side (rubber)	AHH5409	31	2			
10	Screw—body	HZS0508	32	10			
11	Washer—spring—screw	LWZ205	33	10			
12	Washer—plain—screw	PWZ205	34	10			
13	Screw—body to goal post cross-bar	HZS0506	35	3			
14	Screw—body to goal post cross-bar end	HZS0508	36	2			
15	Washer—spring—screw	LWZ205	37	5			
16	Washer—plain—screw	PWZ205	38	5			
17	Screw—body to shut pillar front/rear brackets	HZS0508	39	8			
18	Screw—body to shut pillar	HZS0510	40	2			
19	Washer—spring—screw	LWZ205	41	10			
20	Washer—plain large—screw	PWZ205	42	10			
21	Washer—plain small—screw	PWZ105	43	8			
22	Nut—body to front/rear frame bracket	FNZ105	44	8			
23	Screw—body to 4th cross-member	HZS0506	45	2			
24	Washer—spring—screw	LWZ205	46	2			
25	Washer—plain—screw	PWZ206	47	2			
26	Rubber—body to cross-bar sealing	AHH5528	48	2			
27	Felt—bonnet sealing	AHH5458	49	1			



A30318



A3206A

SERVICE PARTS LIST

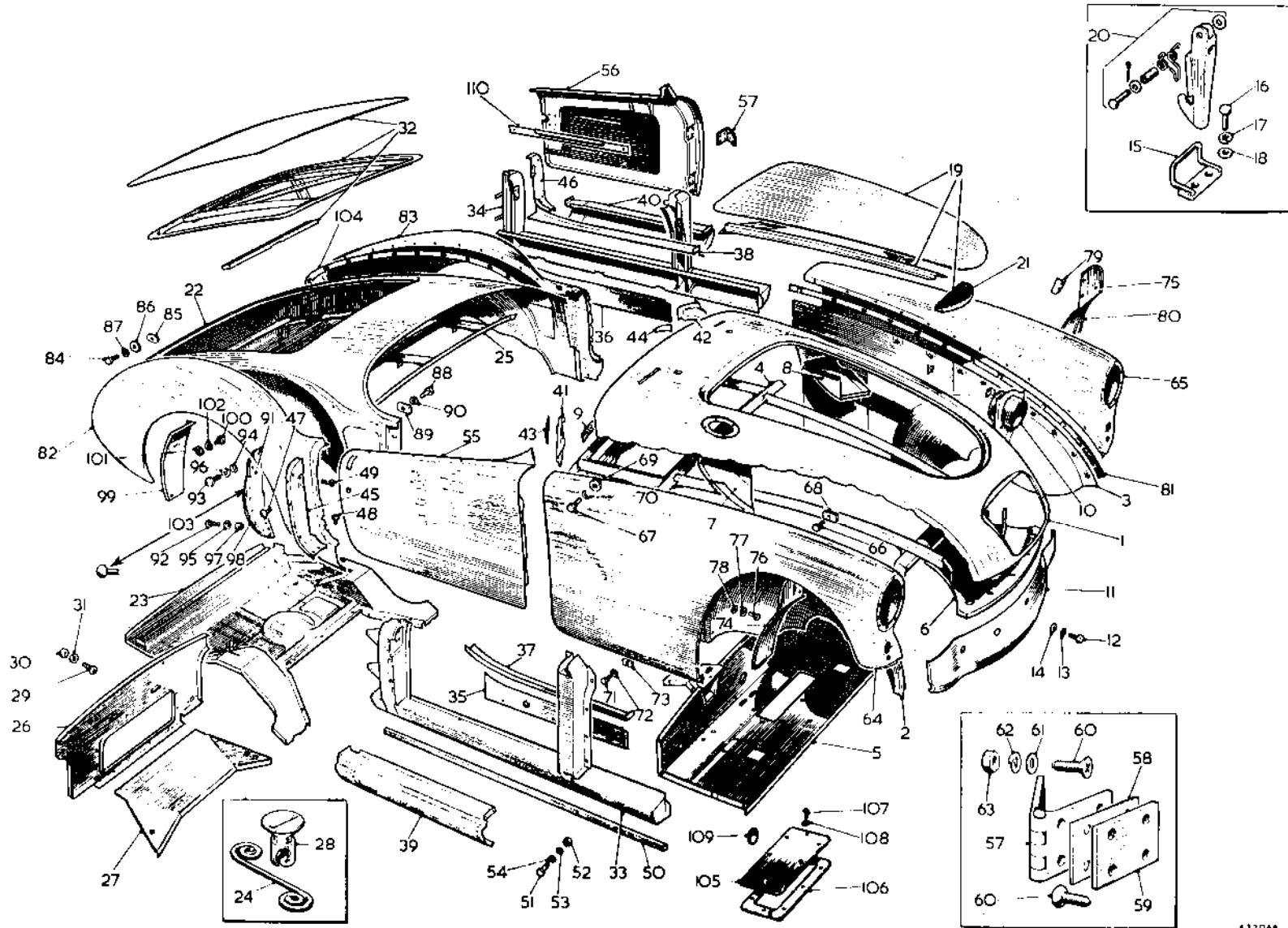
THE MGA 1600

Item No.	DESCRIPTION	Commencing (C) 68851		Quantity	MODIFICATIONS		REMARKS
		Part Number	Illus. No.		New Part Number	Change Point	
	BODY SHELL						
	TOURER						
1	Shell—body	AFH16576		1	AFH7490	Com. (C) 100352	AFH16576 not available; use AFH7490
2	Front end assembly	AFH5484		1			
3	Panel—bonnet surround	AFH1520	1	1			
4	Front side assembly - R/H	AFH4894	2	1			
5	Front side assembly - L/H	AFH4895	3	1			
6	Bonnet surround reinforcement	AFH1521	4	1			
7	Panel assembly front bulkhead	AFH1524	5	1			
8	Panel—radiator duct	AFH1900	6	1			
9	Box assembly—R/H air duct	AFH1502	7	1			
10	Box assembly—L/H air duct	AFH1503	8	1			
11	Strip—front bulkhead packing	AFH1794	9	1			
12	Tube—air duct	AFH1527	10	2			
13	Panel front valance	AFH1896	11	1			
14	Screw fixing panel	AFH2587	12	14	53K126		AFH2587 not available; use 53K126
15	Washer—spring—screw	LWZ203	13	14			
16	Washer—plain—screw	PWZ203	14	14			
17	Bracket—bonnet lock safety catch	AFH1707	15	1			
18	Screw fixing bracket	AFH2587	16	2	53K126		AFH2587 not available; use 53K126
19	Washer—spring—screw	LWZ203	17	2			
20	Washer—plain—screw	PWZ203	18	2			
21	Panel assembly—bonnet lid	AFH4880	19	1			
22	Catch assembly—safety	14A366	20	1			
23	Batten—bonnet lid stiffening	AFH4879	21	1			
24	Tonneau assembly	AFH1754		1			
25	Tonneau sub-assembly	AFH1870		1			
26	Tonneau panel	AFH1871	22	1			
27	Floor assembly—boot	AFH1874	23	1			
28	Dzus spring	7H9828	24	2			
29	Reinforcement assembly—tonneau	AFH1579	25	1			
30	Panel assembly—rear bulkhead	AFH1585	26	1			
31	Panel assembly—battery cover	AFH1663	27	1	AFH6806	Com. (C) 78240	
32	Dzus fastener	7H9827	28	2			
33	Screw fixing rear bulkhead panel	PMZ0808	29	2			
34	Nut—screw	FNZ108	30	2			
35	Washer—spring nut	LWZ203	31	2			
36	Lid assembly—boot	AFH1577	32	1			

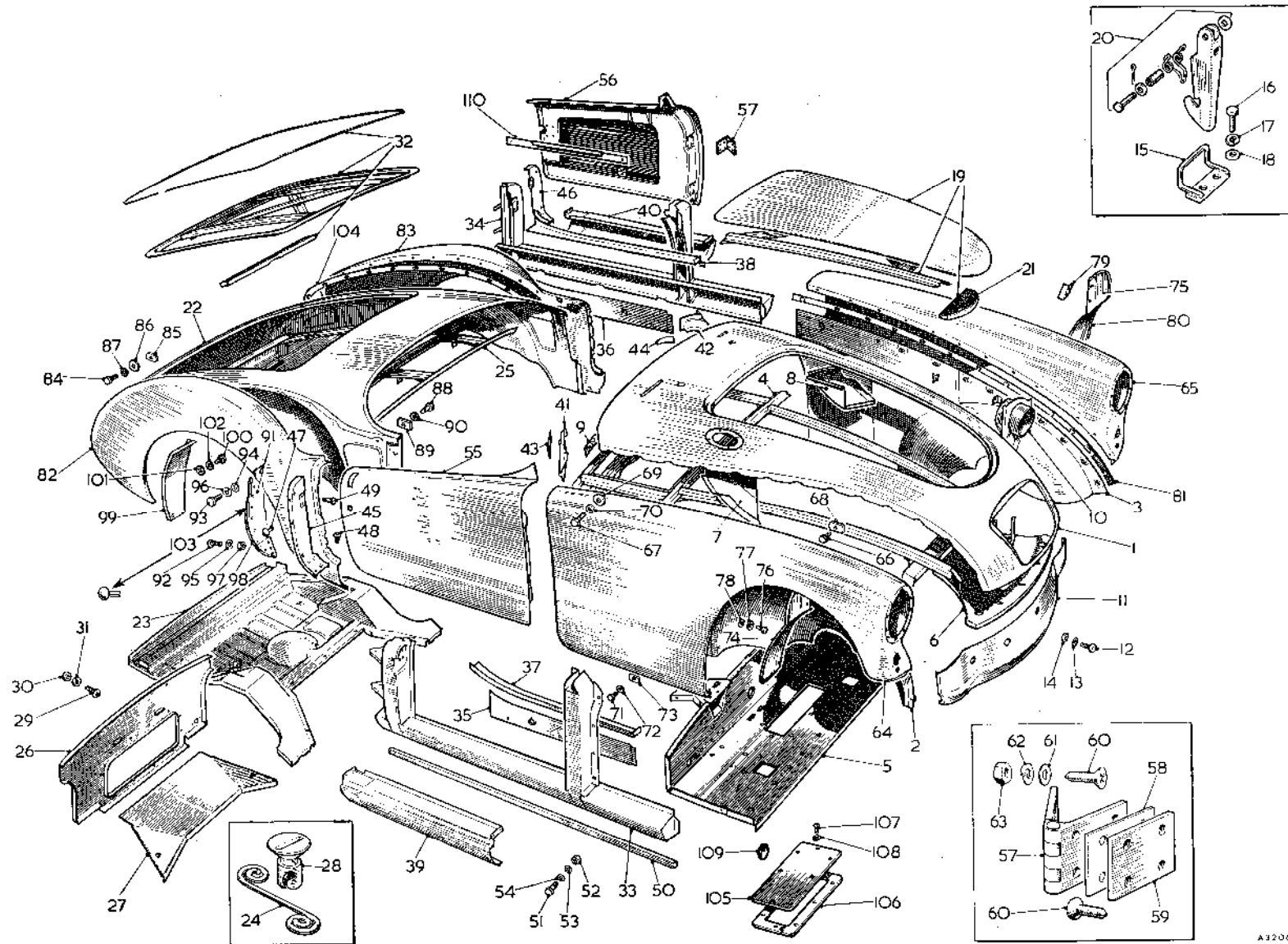
SERVICE PARTS LIST

THE MGA 1600

Item No.	DESCRIPTION	Commencing (C) 68851		Quantity	MODIFICATIONS		REMARKS
		Part Number	Illus. No.		New Part Number	Change Point	
	Body Shell—Tourer—continued						
1	Sill reinforcement and pillar assembly—R/H	AFH1620	33	1			
2	Sill reinforcement and pillar assembly—L/H	AFH1621	34	1			
3	Panel—sill—inner—R/H	AFH1656	35	1			
4	Panel—sill—inner—L/H	AFH1657	36	1			
5	Plate—sill—sealing—R/H	AFH1658	37	1			
6	Plate—sill—sealing—L/H	AFH1659	38	1			
7	Panel—sill—outer—R/H	AFH2624	39	1			
8	Panel—sill—outer—L/H	AFH2625	40	1			
9	Pillar top extension—R/H door hinge	AFH1624	41	1			
10	Pillar top extension—L/H door hinge	AFH1625	42	1			
11	Backing plate—R/H hinge pillar extension	AFH1626	43	1			
12	Backing plate—L/H hinge pillar extension	AFH1627	44	1			
13	Panel—R/H shut pillar facing	AFH898	45	1	AFH7510		AFH898 not available; use AFH7510 together with 1 off finisher AFH7512
14	Panel—L/H shut pillar facing	AFH899	46	1	AFH7511		AFH899 not available; use AFH7511 together with 1 off finisher AFH7513
15	Screw fixing facing panel—side	RMZ0310	47	6			
16	Screw fixing facing panel—bottom	RTZ804	48	4			
17	Screw fixing facing panel—top	CTZ804	49	4			
18	Finisher—sill—lower	AFH13752	50	2			
19	Bolt fixing sill finisher (special)	AFH3753	51	10			
20	Nut—bolt	FNZ103	52	10			
21	Lockwasher—nut	LWZ403	53	10			Part No. change; was AJD7623
22	Washer—plain—nut	PWZ203	54	10			
23	Door assembly—R/H	AFH1666	55	1			
24	Door assembly—L/H	AFH1667	56	1			
25	Stiffener—door casing	AFH1899	110	2			
26	Hinge—door	AFH5832	57	4			
27	Packing—door hinge	AFH15827	58	A/R			
28	Plate—tapping	AFH1464	59	4			
29	Screw fixing hinge	CMZ0412	60	32			
30	Washer—plain—screw	PWZ204	61	16			
31	Washer—spring—screw	LWZ204	62	16			
32	Nut—screw	FNZ104	63	16			
33	Wing assembly—R/H front	AFH6614	64	1			
34	Wing assembly—L/H front	AFH6615	65	1			
35	Screw fixing front wing to body	HZS0508	66	21			
36	Screw fixing front wing to body	HZS0510	67	5			
37	Washer plate—screw	AFH2627	68	22			
38	Washer—plain—screw	PWZ205	69	2			
39	Washer—plain—screw	PWZ105	69	2			
40	Washer—spring—screw	LWZ205	70	26			



A3206A

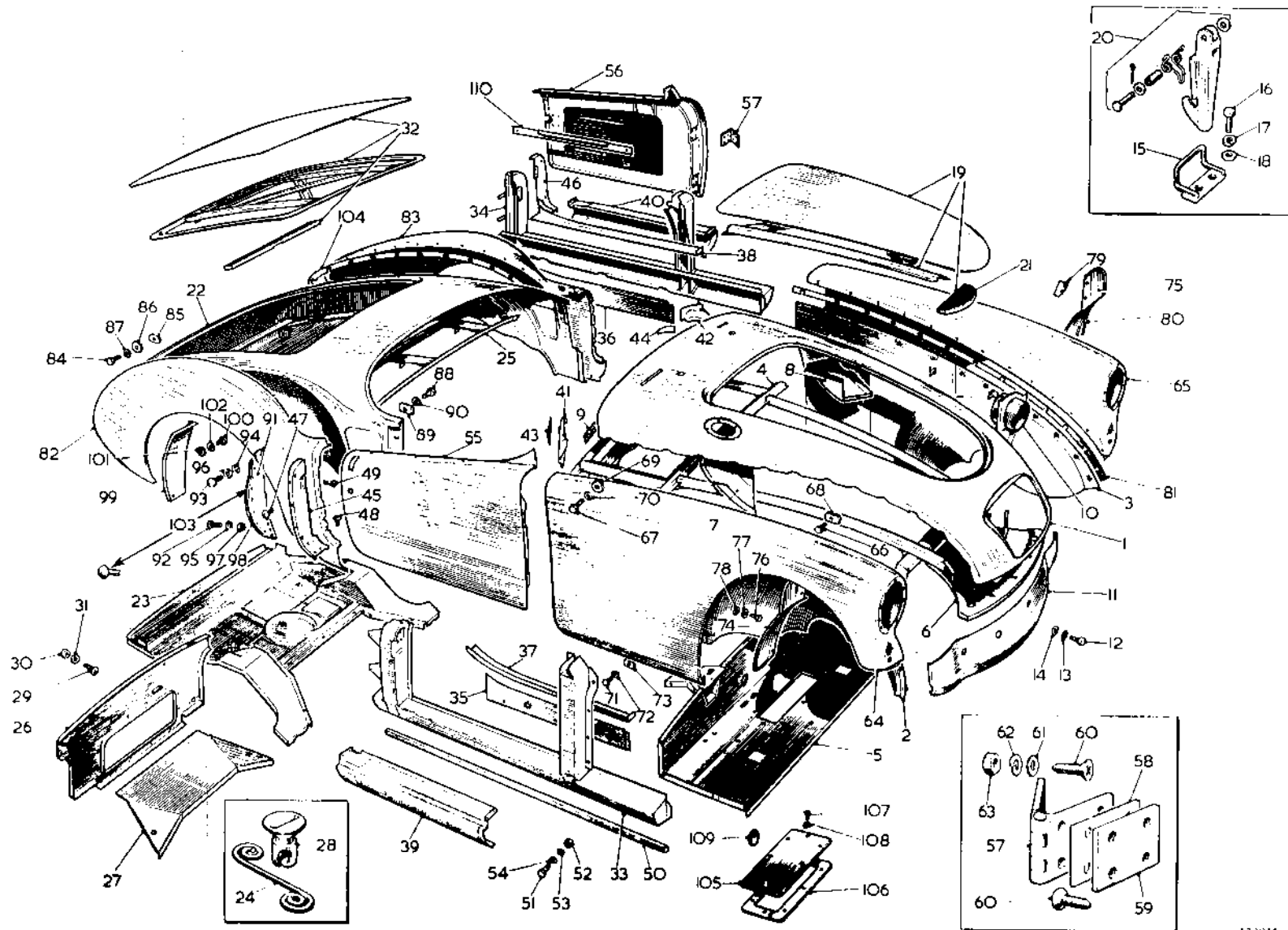


A1206A

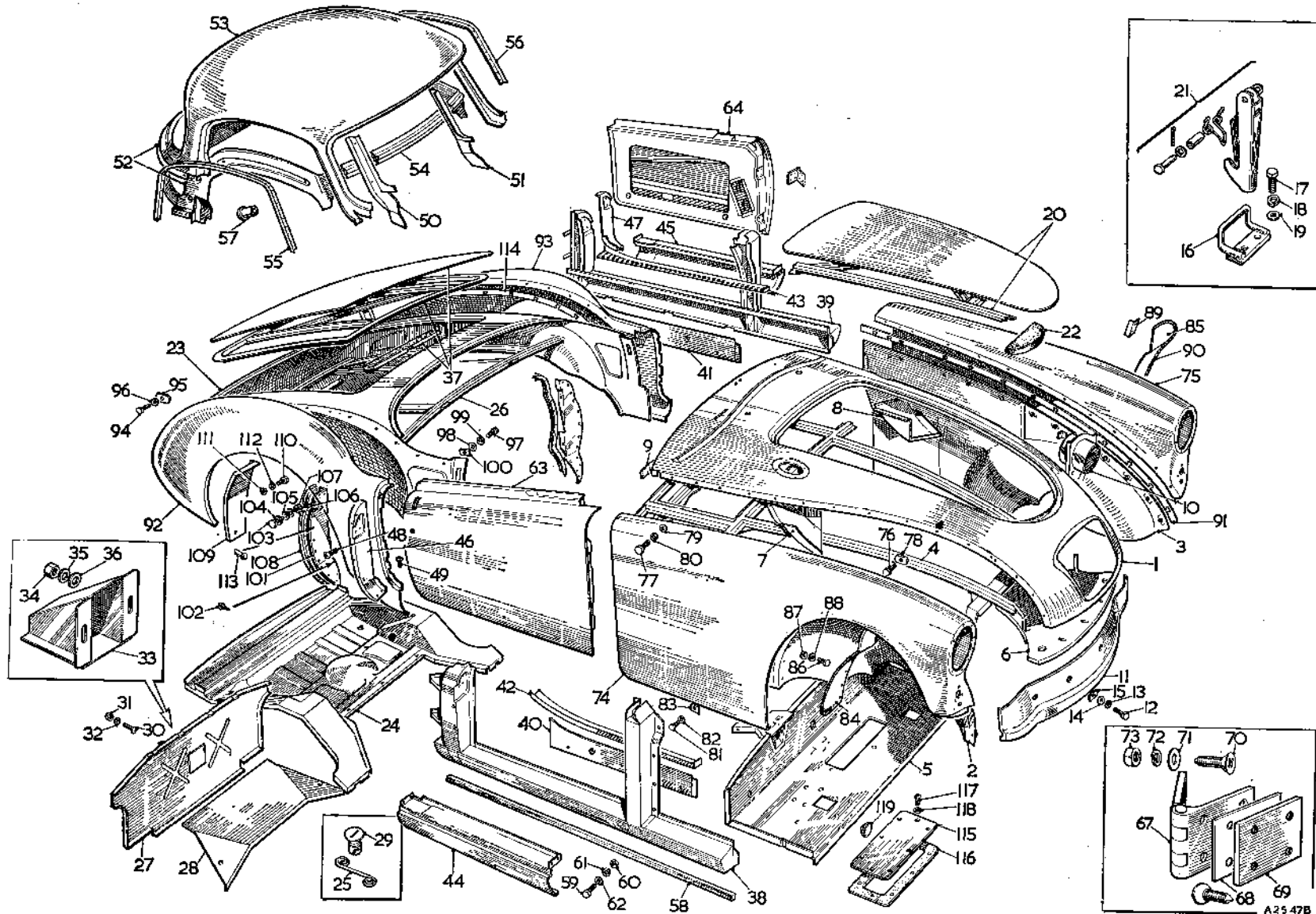
SERVICE PARTS LIST

THE MGA 1600

Item No.	DESCRIPTION	Commencing (C) 68851		Quantity	MODIFICATIONS		REMARKS
		Part Number	Illus. No.		New Part Number	Change Point	
	Body Shell—Tourer—continued						
1	Screw fixing front wing to sill	AFH2587	71	6	53K126		AFH2587 not available; use 53K126
2	Washer—spring—screw	LWZ203	72	6			
3	Washer plate—screw	AFH2546	73	6			
4	Packing—front wing	AFH3840		2			
5	Splash plate—R/H front wing	AFH1702	74	1			
6	Splash plate—L/H front wing	AFH1703	75	1			
7	Screw fixing splash plate	HZS0405	76	4			
8	Washer plain screw	PWZ204	77	4			
9	Washer—spring—screw	LWZ204	78	4			
10	Screw fixing splash plate	AFH2587		2	53K126		AFH2587 not available; use 53K126
11	Nut—screw	FNZ103		2			
12	Washer plate screw	AFH2546		2			
13	Washer spring nut	LWZ203		2			
14	Screw fixing splash plate	HZS0405		12			
15	Washer spring screw	LWZ204		12			
16	Washer plain screw	PWZ204		12			
17	Bracket assembly splash plate	AFH1700	79	2			
18	Seal R/H front splash plate (rubber)	AFH1710		1			
19	Seal L/H front splash plate (rubber)	AFH1711	90	1			
20	Piping wing front	AFH1092	81	2			
21	Wing assembly—rear R/H	AFH1768	82	1	AFH7402		AFH1768 not available; use AFH7402
22	Wing assembly—rear L/H	AFH1760	83	1	AFH7403	Com. (C) 100352	AFH1760 not available; use AFH7403
23	Screw—rear wing to body	HPZ0508	84	22			
24	Washer plate—screw	AFH2627	85	20			
25	Washer—plain—screw	PWZ205	86	2			
26	Washer—spring—screw	LWZ205	87	22			
27	Screw—rear wing to sill	AFH2587	88	4			
28	Washer plate—screw	AFH2546	89	4			
29	Washer—spring—screw	LWZ203	90	4			
30	Splash plate—rear wing front R/H	AFH4782	91	1			
31	Splash plate—rear wing front L/H	AFH4783		1			
32	Screw fixing plate	PTZ004	92	4			
33	Screw fixing plate	HZS0405	93	4			
34	Washer—plain—screw	PWZ204	94	4			
35	Washer—plain—screw	PWZ104	95	4			
36	Washer—spring—screw	LWZ204	96	4			
37	Nut—screw	FNZ104	97	4			



A32108A



SERVICE PARTS LIST

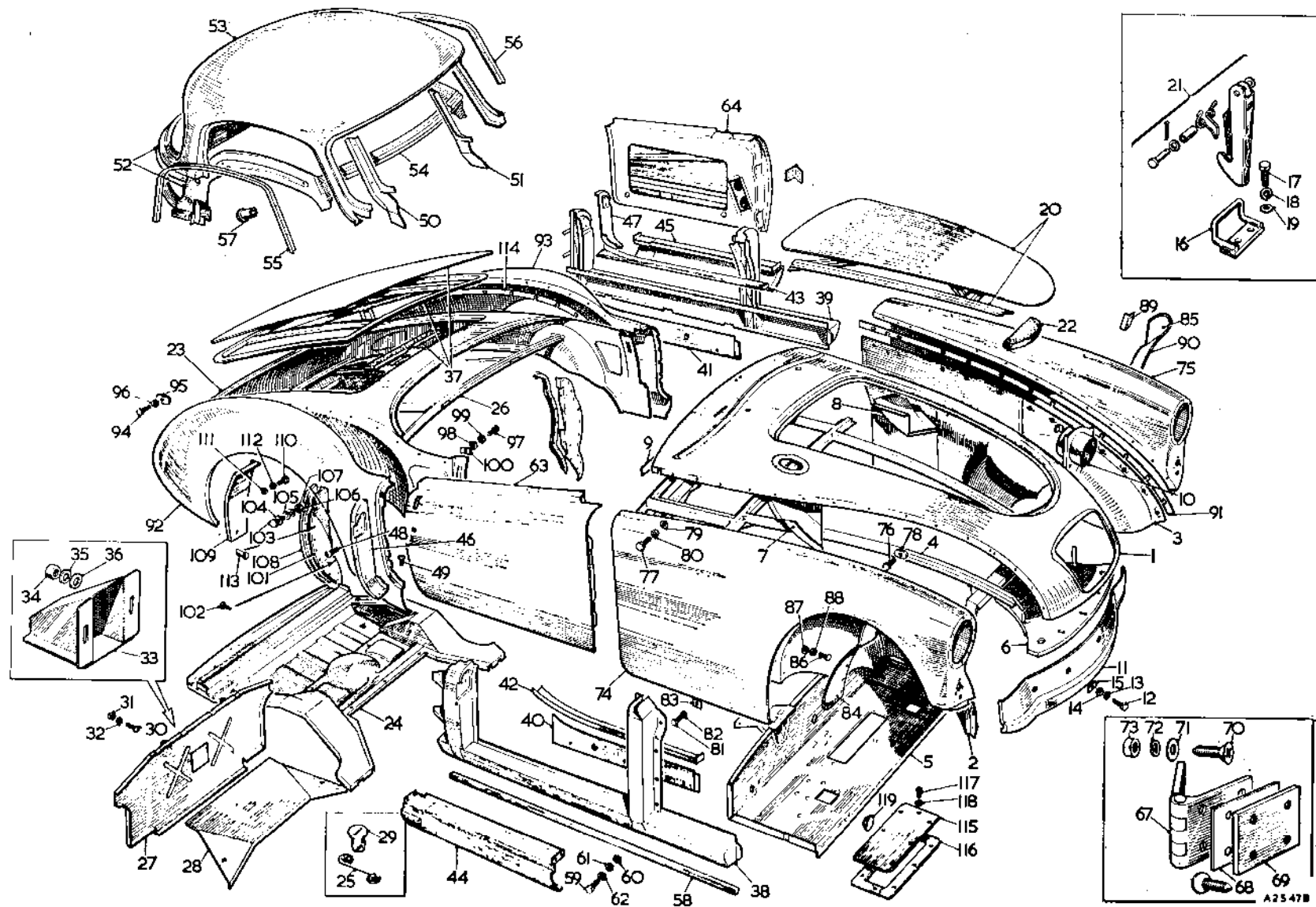
THE MGA 1600

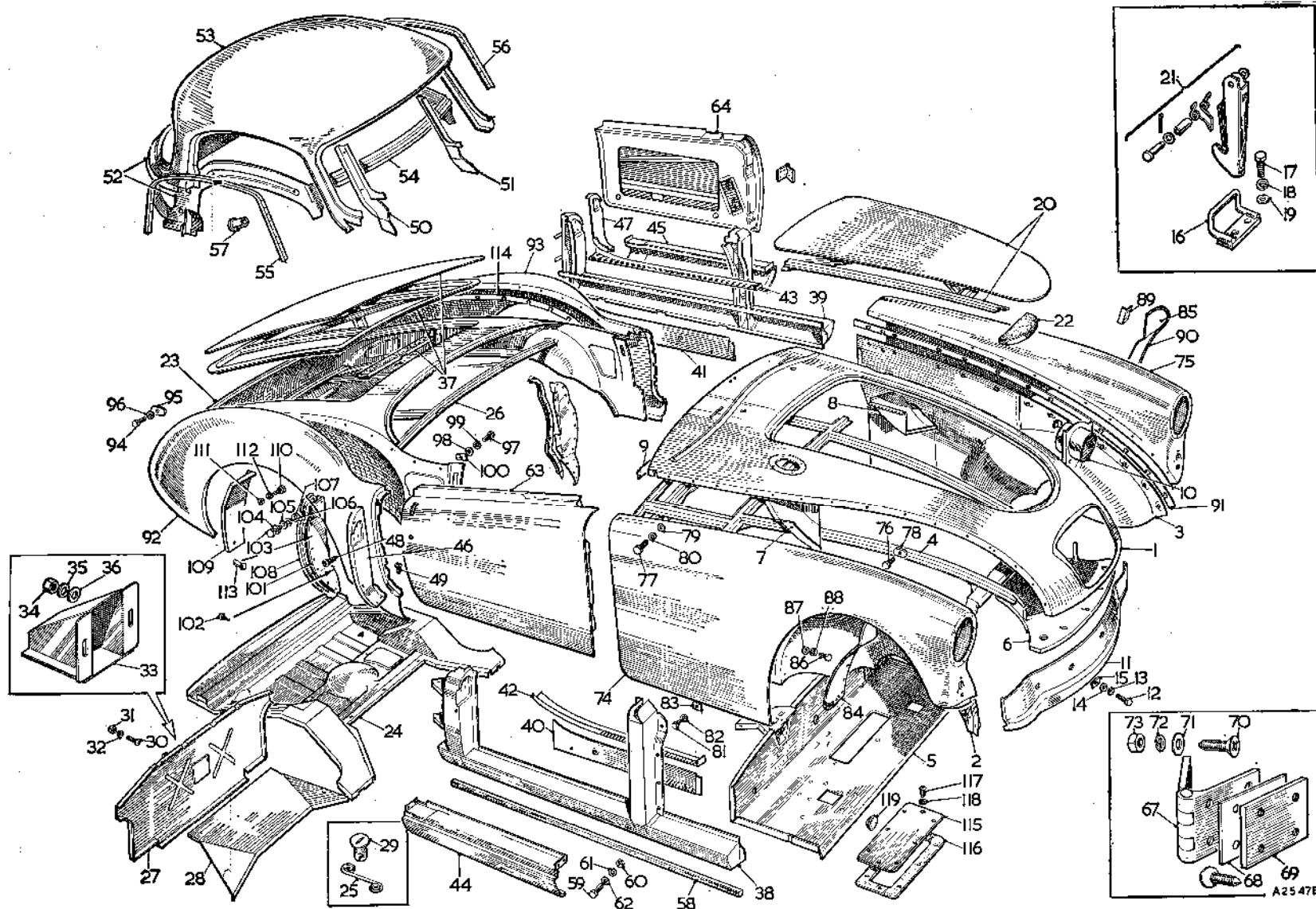
Item No.	DESCRIPTION	Commencing (C) 68851		Quantity	MODIFICATIONS		REMARKS
		Part Number	Illus. No.		New Part Number	Change Point	
	Body Shell—continued						
1	Shell—body R.H.D.	AFH6588		1	AFH7488] Com. (C) 100352	AFH6588 not available; use AFH7488 AFH6589 not available; use AFH7489
2	Shell—body L.H.D.	AFH6589		1	AFH7489		
3	Front end assembly	AFH5485		1			
4	Panel assembly—bonnet surround	AFH3866	1	1			
5	Panel—bonnet surround	N.S.P.		1			
6	Front side assembly—R/H	AFH4896	2	1			
7	Front side assembly—L/H	AFH4897	3	1			
8	Bonnet surround reinforced	AFH3867	4	1			
9	Panel assembly—front bulkhead	AFH1524	5	1			
10	Panel—radiator duct	AFH1900	6	1			
11	Box assembly—R/H air duct	AFH1502	7	1			
12	Box assembly—L/H air duct	AFH1503	8	1			
13	Strip—front bulkhead packing	AFH1794	9	1			
14	Tube—air duct	AFH1527	10	2			
15	Panel—front valance	AFH1890	11	1			
16	Screw fixing panel	AFH2587	12	14			
17	Washer—spring—screw	LWZ203	13	14			
18	Washer—plain—screw	PWZ203	14	8			
19	Washer plate for screw	AFH2546	15	6			
20	Bracket—bonnet lock safety catch	AFH1767	16	1			
21	Screw fixing bracket	AFH2587	17	2			
22	Washer—spring—screw	LWZ203	18	2			
23	Washer—plain—screw	PWZ203	19	2			
24	Panel assembly—bonnet lid	AFH4880	20	1			
25	Catch assembly—safety	14A866	21	1			
26	Batten—bonnet lid stiffening	AFH4879	22	1			
27	Tonneau assembly	AFH6650		1			
28	Tonneau sub-assembly	AFH3879		1			
29	Tonneau panel	AFH3881	23	1			
30	Floor assembly—boot	AFH6651	24	1			
31	Dzus spring	7119828	25	2			
32	Reinforcement assembly—tonneau	AFH3880	26	1			
33	Panel assembly—rear bulkhead	AFH6627	27	1			
34	Panel assembly—battery cover	AFH1663	28	1			
35	Dzus fastener	7H9827	29	2			
36	Screw—rear bulkhead panel	PMZ0808	30	2			
37	Nut—screw	FNZ103	31	2			
38	Washer—spring—screw	LWZ203	32	2			
39	Bracket assembly—spare wheel	AFH6630	33	1			
40	Nut—bracket	FNZ104	34	2			
41	Washer—spring—nut	LWZ204	35	2			
42	Washer—plain—nut	PWZ104	36	2			
43	Nut—dome—set belt fixing			4	14B2085] Com. (C) 100352	
44	Washer—spring—nut			4	LWZ205		
45	Washer—plain—nut			4	PWZ105		
46	Lid assembly—boot	AFH1577	37	1			

SERVICE PARTS LIST

THE MGA 1600

Item No.	DESCRIPTION	Commencing (C) 68851		Quantity	MODIFICATIONS		REMARKS
		Part Number	Illus. No.		New Part Number	Change Point	
	Body Shell—Coupé—continued						
1	Sill reinforcement and pillar assembly—R/H	AFH3882	38	1			
2	Sill reinforcement and pillar assembly—L/H	AFH3883	39	1			
3	Shut pillar assembly—R/H	AFH3780		1			
4	Shut pillar assembly—L/H	AF113781		1			
5	Panel—sill—inner—R/H	AFH1656	40	1			
6	Panel—sill—inner—L/H	AFH1657	41	1			
7	Plate—sill—sealing—R/H	AF111658	42	1			
8	Plate—sill—sealing—L/H	AFH1659	43	1			
9	Panel—sill—outer—R/H	AFH2624	44	1			
10	Panel—sill—outer—L/H	AFH2625	45	1			
11	Panel—R/H shut pillar—facing	AFH3786	46	1			
12	Panel—L/H shut pillar—facing	AFH3787	47	1			
13	Screw—facing panel—side	RMZ0310	48	4			
14	Screw—facing panel—bottom	RTZ804	49	4			
15	Pillar reinforcement—windscreen—R/H	AFH4466	50	1			
16	Pillar reinforcement—windscreen—L/H	AFH4467	51	1			
17	Roof assembly	AFH4748	52	1			
18	Panel assembly—roof	AFH4464	53	1			Not available; use AFH4748
19	Reinforcement assembly—roof panel	AFH4465	54	1			
20	Dripway—door opening—R/H	AFH4482	55	1			
21	Dripway—door opening—L/H	AFH4483	56	1			
22	Rivet—dripway to roof panel	AF115453	57	52			
23	Finisher—sill—lower	AFH3752	58	2			
24	Bolt—sill finisher (special)	AFH3753	59	10			
25	Nut—bolt	FNZ103	60	10			
26	Lockwasher—nut	LWZ103	61	10			Part No. change; was AJD762
27	Washer—plain—nut	PWZ203	62	10			PWZ203 correction; was RWZ203
28	Door assembly—R/H	AFH4806	63	1			} R.H.D.
29	Door assembly—L/H	AFH4807	64	1			
30	Door assembly—R/H	AFH3884		1			} L.H.D.
31	Door assembly—L/H	AF113885		1			
32	Hinge—door	AFH5832	67	4			
33	Packing—door hinge	AFH5827	68	A/R			
34	Plate—tapping	AFH11404	69	4			
35	Screw—fixing hinge	CMZ0412	70	32			
36	Washer—plain—screw	PWZ204	71	16			
37	Washer—spring—screw	LWZ204	72	16			
38	Nut—screw	FNZ104	73	16			





SERVICE PARTS LIST

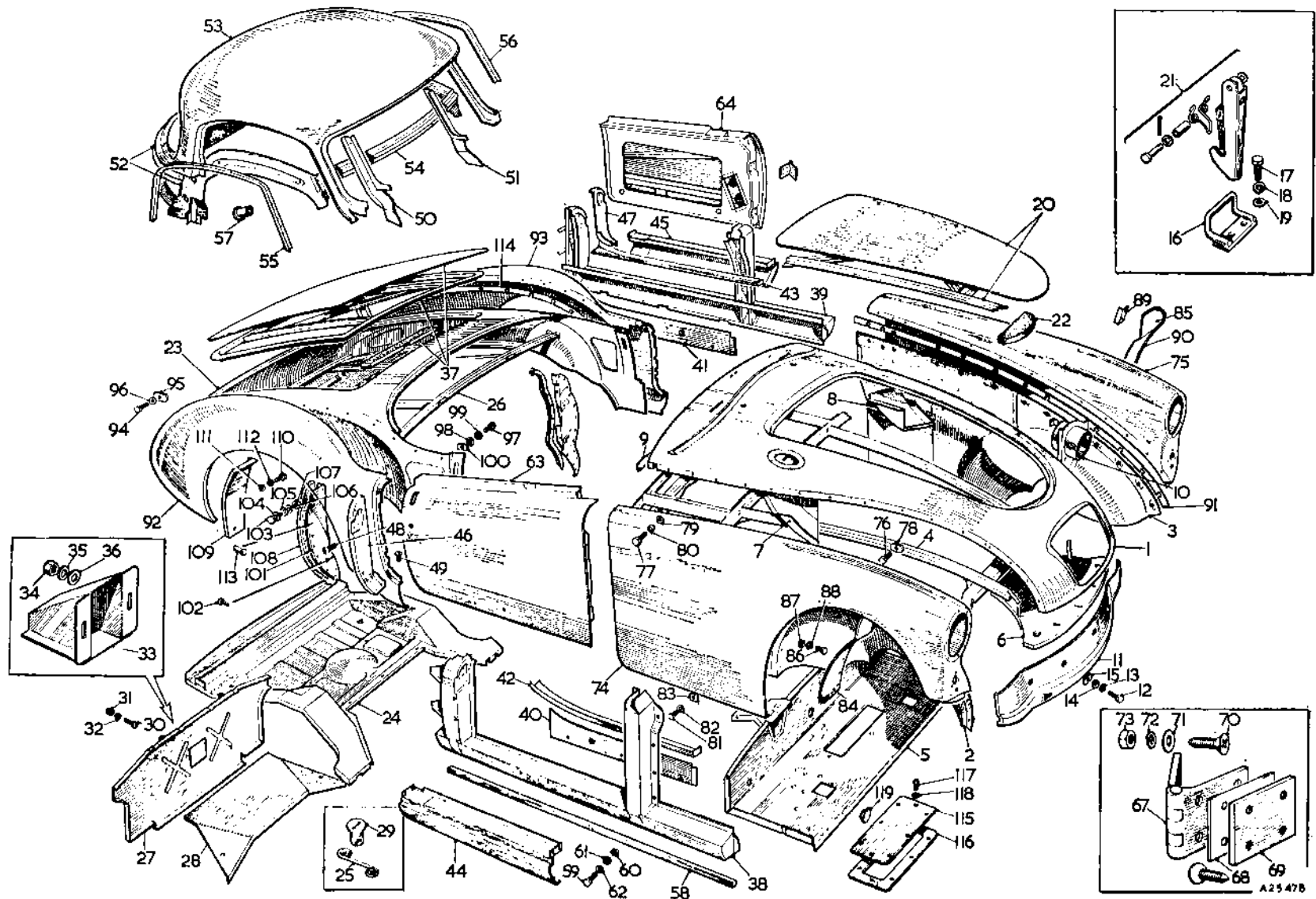
THE MGA 1600

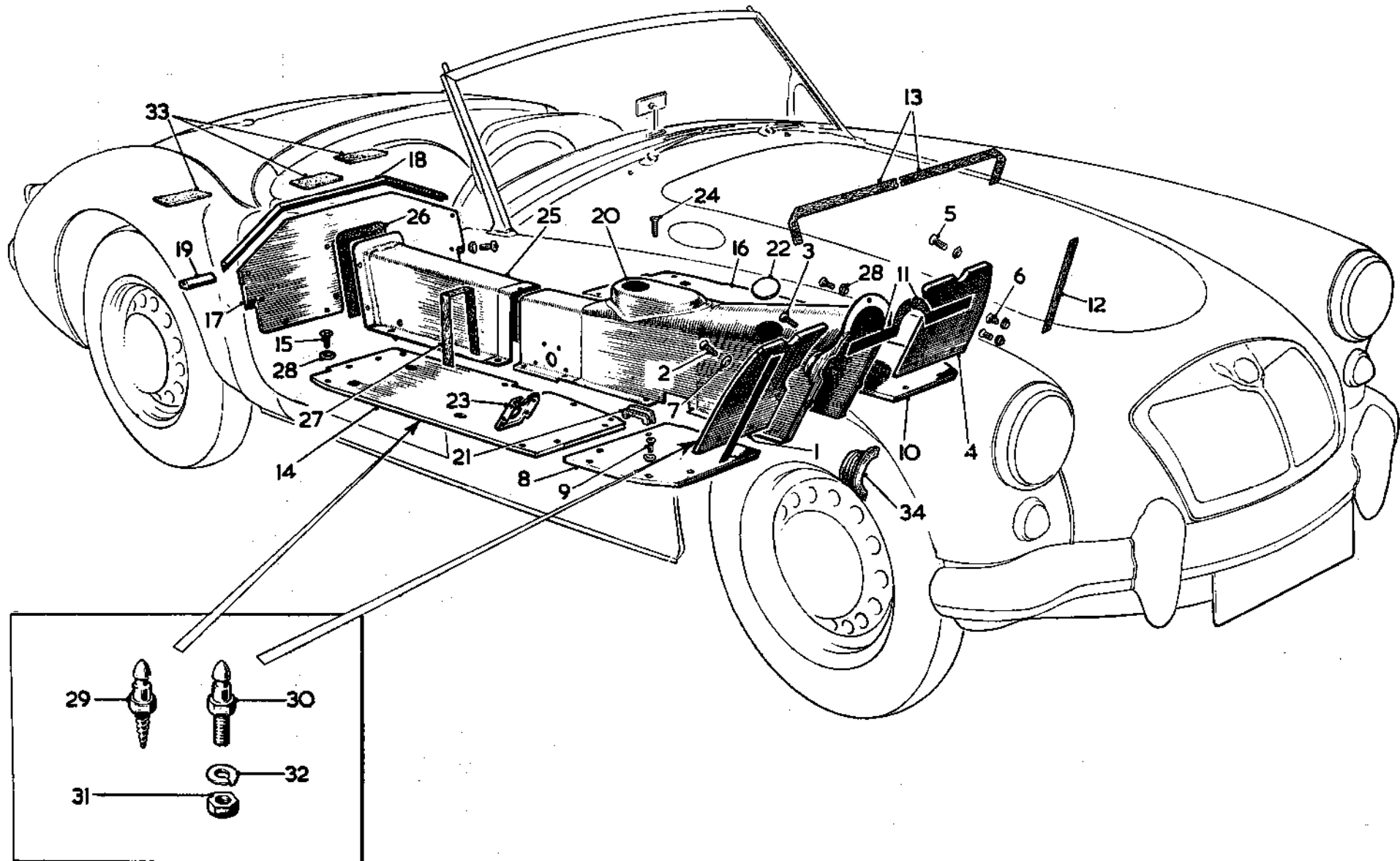
Item No.	DESCRIPTION	Commencing (C) 68851		Quantity	MODIFICATIONS		REMARKS
		Part Number	Illus. No.		New Part Number	Change Point	
	Body Shell—Coupé—continued						
1	Wing assembly—R/H front	AFH6618	74	1			
2	Wing assembly—L/H front	AFH6619	75	1			
3	Screw—front wing to body	HZS0505	76	21			
4	Screw—front wing to body	HZS0510	77	5			
5	Washer—plate—screw	AFH2627	78	22			
6	Washer—plain—screw	PWZ205		2			
7	Washer—plain—screw	PWZ105	79	2			
8	Washer—spring—screw	LWZ205	80	26			
9	Screw—front wing to sill	AFH2587	81	6	53K126		AFH2587 not available; use 53K126
10	Washer—spring—screw	LWZ203	82	6			
11	Washer—plate—screw	AFH2546	83	6			
12	Packing—front wing	AFH3840		2			
13	Splash plate—R/H front wing	AFH1702	84	1			
14	Splash plate—L/H front wing	AFH1703	85	1			
15	Screw—fixing plate	HZS0405	86	4			
16	Washer—plain—screw	PWZ204	87	4			
17	Washer—spring—screw	LWZ204	88	4			
18	Screw—fixing splash plate	AFH2587		2	53K126		AFH2587 not available; use 53K126
19	Nut—screw	FNZ103		2			
20	Washer—plate—screw	AFH2546		2			
21	Washer—spring—nut	LWZ203		2			
22	Screw—fixing splash plate	HZS0405		12			
23	Washer—spring—screw	LWZ204		12			
24	Washer—plain—screw	PWZ204		12			
25	Bracket assembly—splash plate	AFH1700	89	2			
26	Seal—R/H front splash plate (rubber)	AFH1701		1			
27	Seal—L/H front splash plate (rubber)	AFH1711	90	1			
28	Piping—front wing	AFH1692	91	2			
29	Wing assembly—R/H rear	AFH4480	92	1	AFH7478		AFH4480 not available; use AFH7478
30	Wing assembly—L/H rear	AFH4481	93	1	AFH7479	Com. (C) 100352	AFH4481 not available; use AFH7479
31	Screw—rear wing to body	HZS0508	94	22			
32	Washer—plate—screw	AFH2627	95	20			
33	Washer—plain—screw	PWZ205	96	2			
34	Screw—rear wing to sill	AFH2587	97	1	53K126		AFH2587 not available; use 53K126
35	Washer—plain—screw	PWZ203	98	4			
36	Washer—spring—screw	LWZ203	99	4			
37	Washer—plate—screw	AFH2546	100	4			

SERVICE PARTS LIST

THE MGA 1600

Item No.	DESCRIPTION	Commencing (C) 68851		Quantity	MODIFICATIONS		REMARKS
		Part Number	Illus. No.		New Part Number	Change Point	
	Body Shell—Coupé—continued						
1	Splash plate—rear wing—front—R/H	AFH4782		1			
2	Splash plate—rear wing—front—L/H	AFH4783	101	1			
3	Screw fixing plate	PTZ604	102	4			
4	Screw fixing plate	HZS0405	103	4			
5	Washer—plain—screw	PWZ204	104	4			
6	Washer—plain—screw	PWZ104	105	4			
7	Washer—spring—screw	LWZ204	106	4			
8	Nut—screw	FNZ104	107	4			
9	Seal—R/H rear splash plate (rubber)	AFH4784	108	1			
10	Seal—L/H rear splash plate (rubber)	AFH4785		1			
11	Splash plate—rear wing—rear—R/H	AFH1704	109	1			
12	Splash plate—rear wing—rear—L/H	AFH1705		1			
13	Screw fixing plate	HZS0405	110	8			
14	Washer—plain—screw	PWZ204	111	8			
15	Washer—spring—screw	LWZ204	112	8			
16	Rivet—rubber seal to plate	BRP906	113	22			
17	Piping—rear wing	AFH1698	114	2			
18	Cover plate—heater aperture	AHH5252	115	1			
19	Gasket—heater sealing	AHH5253	116	2			
20	Screw—cover plate	PMZ0310	117	8			
21	Washer—spring—screw	LWZ203	118	8			
22	Grommet—blanking heater valve control hole	4G254J	119	1			





A3064A

SERVICE PARTS LIST

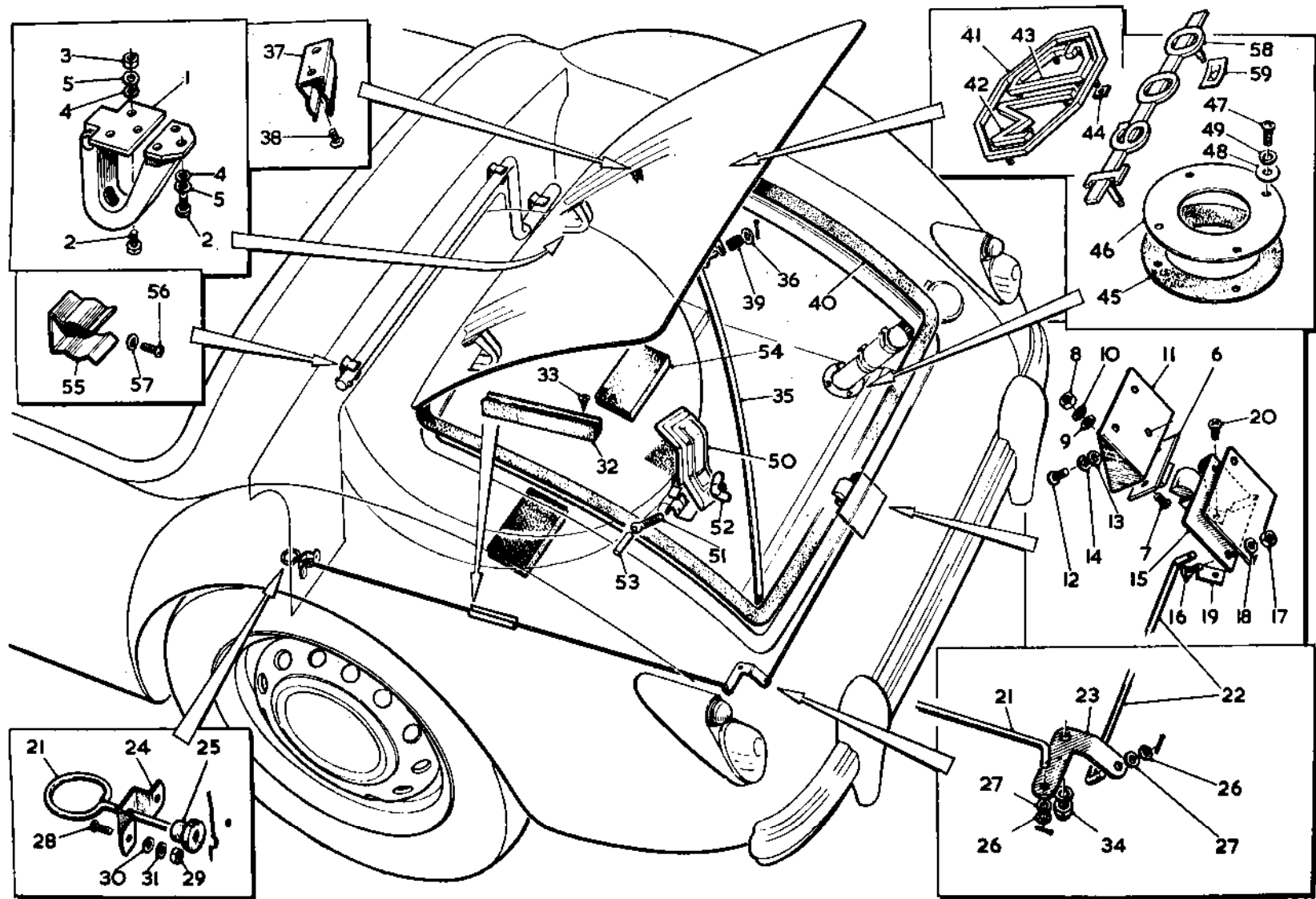
THE MGA 1600

Item No.	DESCRIPTION	Commencing (C) 68851		Quantity	MODIFICATIONS		REMARKS
		Part Number	Illus. No.		New Part Number	Change Point	
	FLOORING—RAMPS—PROPELLER SHAFT TUNNEL— GEARBOX COVER						
1	Toeboard—R/H	AHH5817	1	1			
2	Screw fixing toeboard	CMZ0416	2	5			
3	Screw fixing toeboard and speedometer cable clip R/H	CMZ0420	3	3			
4	Toeboard—L/H	AHH5263	4	1			
5	Screw fixing toeboard	CMZ0416	5	4			
6	Screw blanking accelerator adjusting stop holes in toeboard —L/H	R.H.D. CMZ0408	6	2			
7	Washer—cup—screw		ACA5374	7	2		
8	Floorboard—front—R/H	AHH5208	8	1			
9	Screw fixing floorboard	CMZ0416	9	8			
10	Floorboard—front—L/H	AHH5209	10	1			
11	Screw fixing floorboard	CMZ0416	11	7			
12	Seal—toeboard top (felt)	AHH5377	11	2			
13	Seal—toeboard support	AHH5378	12	2			
14	Seal—toeboard support plate	AHH5379	13	2			
15	Floorboard—rear—R/H	AHH5205	14	1			
16	Screw fixing floorboard	CMZ0416	15	12			
17	Floorboard—rear—L/H	AHH5206	16	1			
18	Screw fixing floorboard	CMZ0416	17	13			
19	Ramp—rear	AHH5207	17	1			
20	Seal rear ramp centre (rubber)	AHH5455	18	1			
21	Seal -rear ramp outer (rubber)	AHH5456	19	2			
22	Screw fixing ramp	CMZ0416	20	12			
23	Cover assembly—gearbox	AHH5815	20	1			
24	Seal—gearbox cover (rubber)	AHH5194	21	2			
25	Grommet—dipstick hole	ACA5300	22	1			
26	Plate—gearbox cover cross brace	AHH5226	23	2			
27	Screw fixing gearbox cover to toeboard plate and front floorboard—L/H	CMZ0412	24	2			
28	Tunnel—propeller shaft	AHH5199	25	1	AHH6125	Com. (C) 100852	AHH5199 not available; use AHH6125
29	Seal—propeller shaft tunnel -rear (felt)	AHH5200	26	1			
30	Seal gearbox cover to tunnel (felt)	AHH5340	27	1			
31	Washer screw (countersunk)	ACA5374	28	66			
32	Screw floorboard carpet fixing	LFP810	29	12			Part No. change; was 94605
33	Screw floorboard carpet fixing	AAA3670	30	4			Part No. change; was 183509
34	Nut screw	AJD8012Z	31	4			
35	Washer spring -nut	LWZ203	32	4			
36	Packing rear floor boot	AHH5180	33	3			
37	Floorboard—R/H	AHH5748		1] For use with de-luxe seats only
38	Floorboard—L/H	AHH5749		1			
39	Screw fixing floorboard	CMZ0420		16			
40	Cover starter motor (rubber)	AHH5838	34	1			

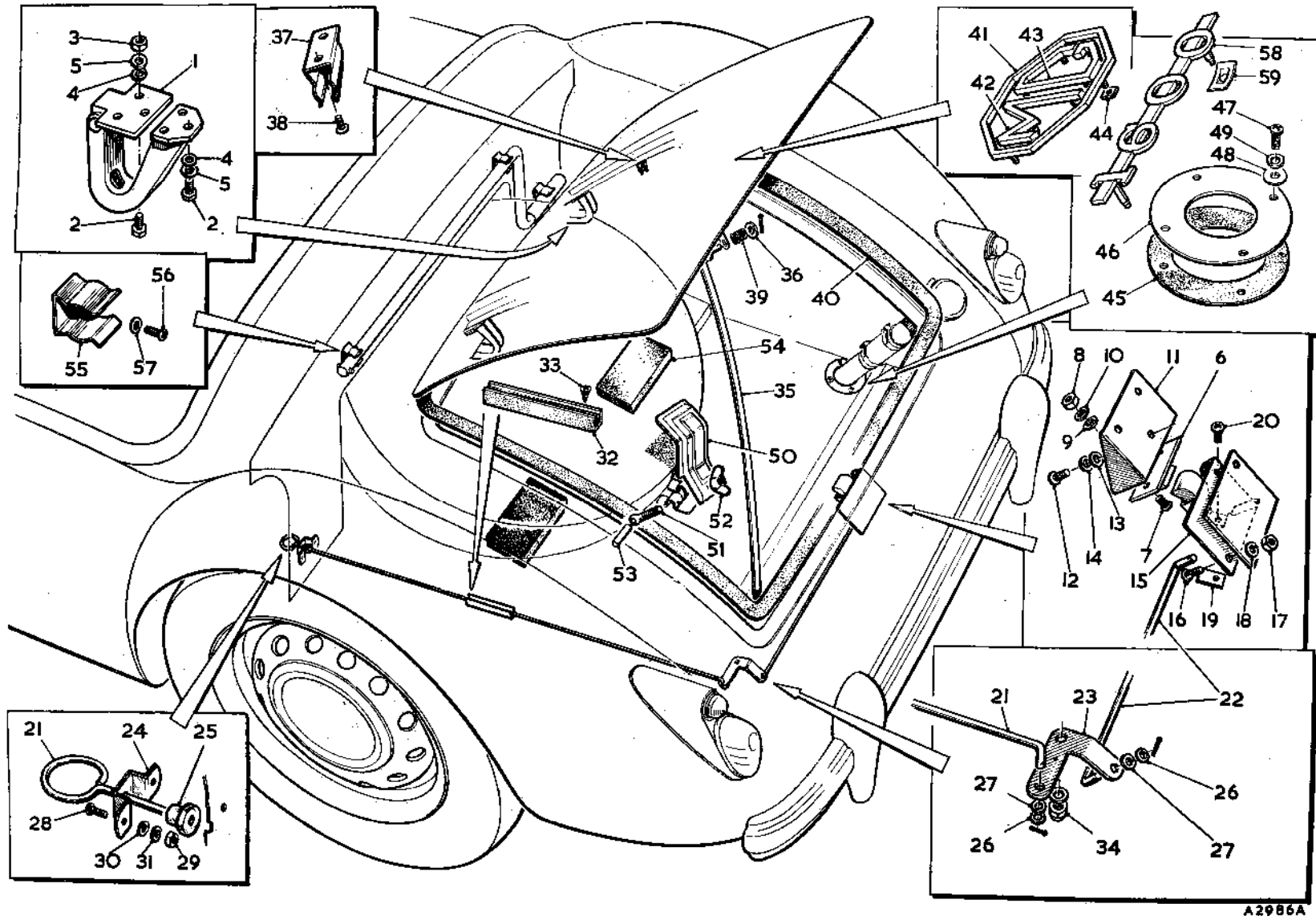
SERVICE PARTS LIST

THE MGA 1600

Item No.	DESCRIPTION	Commencing (C) 68851		Quantity	MODIFICATIONS		REMARKS
		Part Number	Illus. No.		New Part Number	Change Point	
BOOT LID FITTINGS.							
1	Hinge—boot lid—R/H	AFH1515	1	1			
2	Hinge—boot lid—L/H	AFH1514	1	1			
3	Screw fixing hinge	AFH2587	2	12	53K126		AFH2587 not available; use 53K126
4	Washer—plain—screw	PWZ203	3	12			
5	Washer—spring—screw	LWZ203	4	12			
6	Nut—screw	FNZ103	5	2			
7	Plate—boot lid striking	AFH1516	6	1			
8	Screw fixing plate	CMZ0310	7	2			
9	Nut—screw	FNZ103	8	2			
10	Washer—plain—nut	PWZ203	9	2			
11	Washer—spring—nut	LWZ203	10	2			
12	Bracket—striking plate	AFH1578	11	1			
13	Screw—fixing bracket	AFH2587	12	3	53K126		AFH2587 not available; use 53K126
14	Washer—plain—screw	PWZ203	13	3			
15	Washer—spring—screw	LWZ203	14	3			
16	Lock assembly—boot lid	AFH1519	15	1			
17	Screw fixing lock	PMZ0303	16	2			
18	Nut—screw	FNZ103	17	2			
19	Washer—spring—nut	LWZ203	18	2			
20	Packing—lock support bracket	AFH2622	19	1			
21	Screw fixing lock	PTZ603	20	1			
22	Rod—boot lock release—front	AFH1758	21	1			
23	Rod—boot lock release—rear	AFH1759	22	1			
24	Lever—book lock actuating	AFH1747	23	1			
25	Plate—release rod guide	AAA1882	24	1			Part No. change; was 133222
26	Grommet—release rod	AAA1881	25	1			Part No. change; was 133222
27	Washer—plain—release valve	PWZ203	26	3			
28	Washer—spring—release valve	AAA1514	27	3			Part No. change; was 128900
29	Screw fixing guide plate	PMZ0203	28	2			
30	Nut—screw	CNZ102	29	2			
31	Washer—plain—nut	PWZ202	30	2			
32	Washer—spring—nut	LWZ202	31	2			
33	Channel—release rod—retaining	AFH1789	32	1			
34	Screw—fixing channel	CTZ403	33	2			
35	Nut—actuating lever pivot	FNZ104	34	1			
36	Rod—boot lid support	AFH1756	35	1			
37	Washer—plain—support rod	PWZ105	36	1			
38	Clip—boot lid support rod	AAA1524	37	1			Part No. change; was 128978
39	Screw—fixing clip	PTZ603	38	2			
40	Spring—boot lid support rod	AAA2398	39	1			Part No. change; was 139282
41	Rubber—boot lid sealing	AFH1753	40	1			



A2985A



A2986A

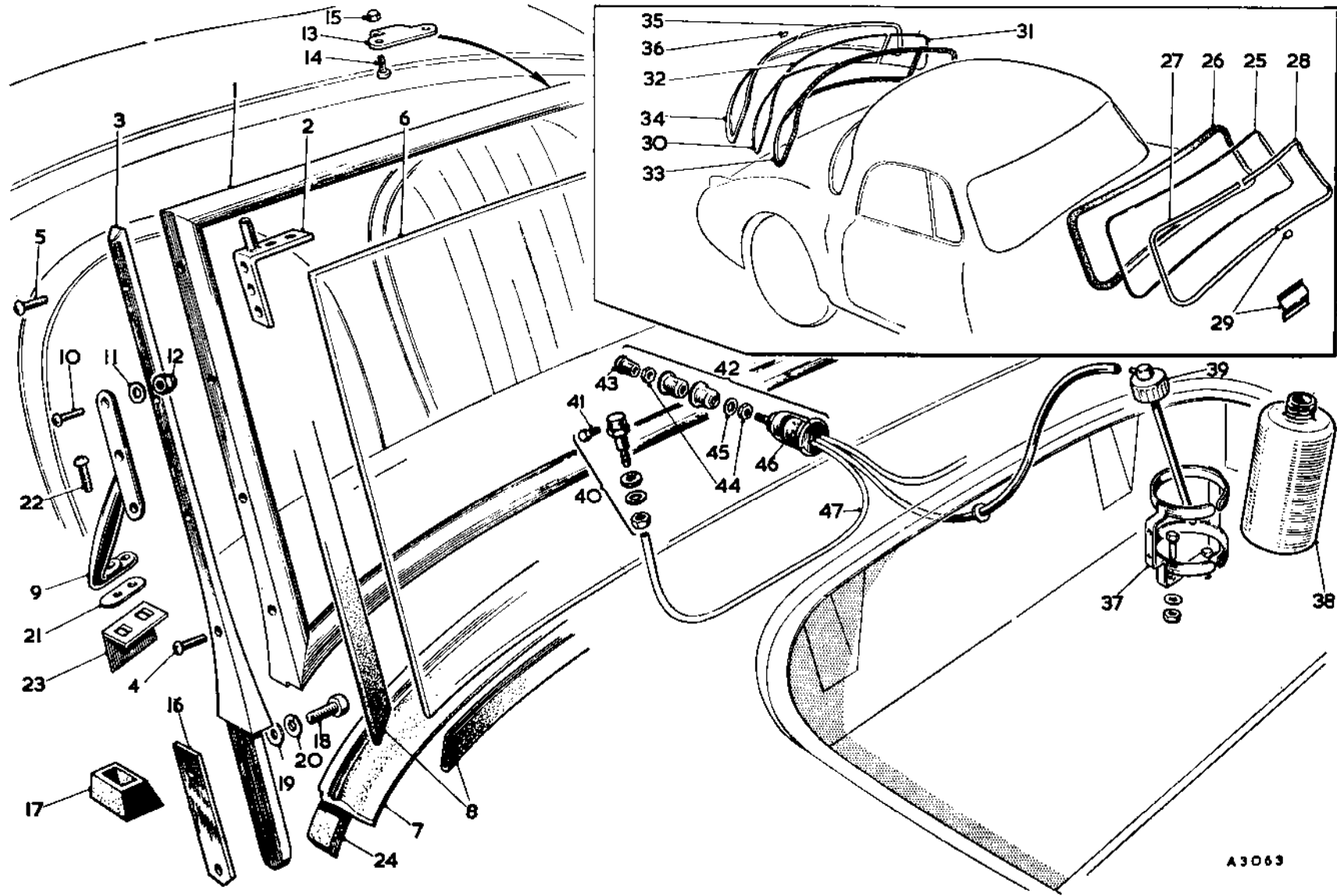
SERVICE PARTS LIST

THE MGA 1600

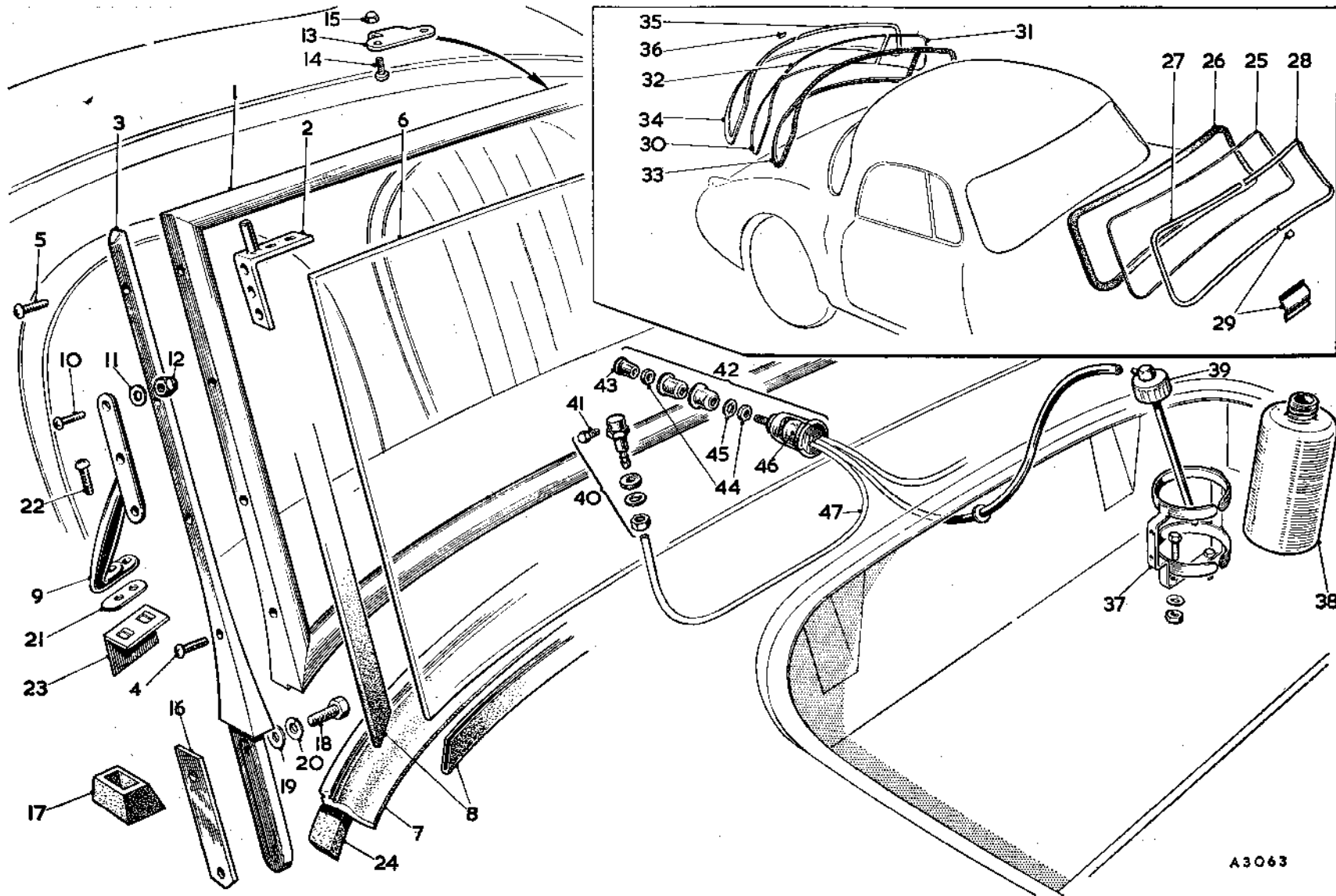
Item No.	DESCRIPTION	Commencing (C) 68851		Quantity	MODIFICATIONS		REMARKS
		Part Number	Illus. No.		New Part Number	Change Point	
	Boot Lid Fittings—continued						
1	Surround—boot lid badge	AHH5261	41	1			
2	Letter 'M'	ADH2475	42	1			
3	Letter 'G'	ADH2476	43	1			
4	Spire nut—surround and badge	PFS103	44	13			
5	Seal—petrol filler	AHH5260	45	1			
6	Plate—petrol filler seal cover	AHH5259	46	1			
7	Screw fixing seal and plate	PMZ0308	47	3			
8	Washer—screw (special)	AJD7212	48	3			
9	Washer—spring—screw	LWZ208	49	3			
10	Clamp—spare wheel	H7336	50	1			
11	Bolt—spare wheel clamp	AHH5349	51	1			
12	Nut—bolt (wing)	AHH5351	52	1			
13	Pin—spare wheel fixing cross	AHH5350	53	1			
14	Packing—spare wheel (felt)	AHH5459	54	2			
15	Clip—starting handle	ADB4825	55	3			
16	Screw fixing clip	PMZ0305	56	3			
17	Washer—spring—screw	LWZ208	57	3			
18	Motif '1600'	AH11591-4	58	1		Fin. (C) 100351	
19	Motif '1600 Mk. II'			1	AH116083	Com. (C) 100352	
20	Push on fix	B11A4082	59	2			

Part No. change; was 5843

Item No.	DESCRIPTION	Commencing (C) 68851		Quantity	MODIFICATIONS		REMARKS
		Part Number	Illus. No.		New Part Number	Change Point	
	WINDSCREEN						
1	Windscreen assembly	AFH6768		1			
2	Frame	AFH6769	1	1			
3	Peg—hood attachment—R/H	AFH2680	2	1			
4	Peg—hood attachment—L/H	AFH2681		1			
5	Stanchion—R/H	AFH1718	3	1			
6	Stanchion—L/H	AFH1719		1			
7	Screw fixing stanchion (long)	AJD2246C	4	2			
8	Screw fixing stanchion (short)	AJD2245C	5	6			
9	Glass—windscreen	AFH1720	6	1			
10	Apron (rubber)	AFH1721	7	1			
11	Rubber—glazing	AFH1724	8	1			
12	Handle—grab—R/H	AFH1722	9	1			
13	Handle—grab—L/H	AFH1723		1			
14	Screw fixing handle	CMP0807	10	6			
15	Washer—plain—screw	PWZ203	11	6			
16	Nut—screw (dome)	AFH2809	12	6			
17	Catch—hood centre	AFH6773	13	1			
18	Screw fixing catch	AFH5457	14	2			
19	Nut—screw	AFH5458	15	2			
20	Packing—stanchion (fibre)	AFH2547	16	A/R			
21	Grommet—stanchion to body	AFH1726	16	2			
22	Bolt—stanchion to body	HBZ0610	18	4			
23	Washer—plain—screw	PWZ106	19	4			
24	Washer—spring—screw	LWZ206	20	4			
25	Packing—grab handle	AFH1687	21	2			
26	Screw—grab handle to body (3/4")	RMP0812	22	2			
27	Screw—grab handle to body (1")	RMP0816		2			
28	Reinforcement assembly—grab handle	AFH1787	23	2			
29	Packing—windscreen (rubber)	AFH2868	24	2			
30	Glass—windscreen	AFH3830	25	1			
31	Rubber—windscreen surround	AFH3831	26	1			
32	Finisher—windscreen surround—R/H	AFH2832	27	1			
33	Finisher—windscreen surround—L/H	AFH3833	28	1			
34	Joint piece—windscreen finisher	AFH3778	29	2			
	BACKLIGHT						
35	Glass—backlight—side—R/H	AFH3834	30	1			
36	Glass—backlight—side—L/H	AFH3835	31	1			
37	Glass—backlight—centre	AFH3836	32	1			
38	Rubber—backlight surround	AFH3837	33	1			
39	Finisher—backlight surround—R/H	AFH3838	34	1			
40	Finisher—backlight surround—L/H	AFH3839	35	1			
41	Jointing piece—backlight finisher	AFH3778	36	2			



A3063



SERVICE PARTS LIST

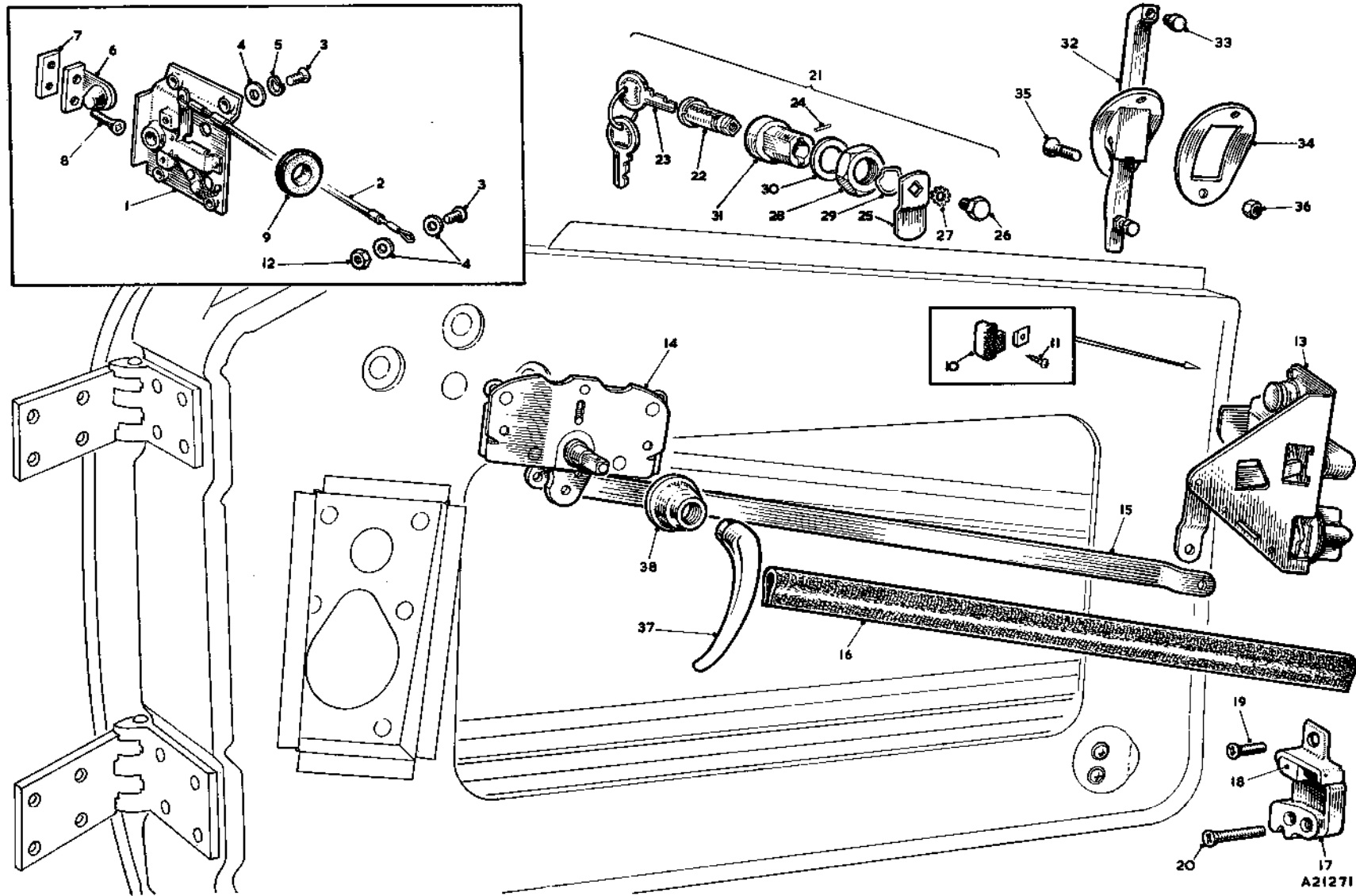
THE MGA 1600

Item No.	DESCRIPTION	Commencing (C) 68851		Quantity	MODIFICATIONS		REMARKS
		Part Number	Illus. No.		New Part Number	Change Point	
	WINDSCREEN WASHER						
1	Washer kit—windscreen.....	AHH5700		1	AHH5983	Com. (C) 80390	AHH5700 not available; use AHH5983
2	Bracket.....	7H9781	37	1			
3	Container—20 oz. (1½" neck).....	7H9779	38	1		Fin. (C) 80389	Not available; use 13H277 with 37H9716
4	Cap assembly—1½".....	7H9785	39	1			Not available; use 13H227 with 37H9716
5	Container—20 oz. (2 ⅞" neck).....	13H227		1			
6	Cap assembly—2 ⅞".....	37H9716		1			
7	Jet mounting assembly.....	13H231	40	2			Part. No. change; was 27H9622
8	Jet.....	27H9623	41	2			
9	Control assembly.....	27H9654	42	1	37H9730	Com. (C) 80390	27H9654 not available; use 37H9730
10	Knob.....	27H9625	43	1			
11	Back nut.....	27H9655	44	2			
12	Washer—shakeproof.....	1WN406	45	1			Part No. change; was 7H9782
13	Bulb—rubber.....	27H9626	46	1	27H9824	Com. (C) 80390	
14	Tubing.....	37H9708	47	A/R			Only available in multiples of feet

SERVICE PARTS LIST

THE MGA 1600

Item No.	DESCRIPTION	Commencing (C) 68851		Quantity	MODIFICATIONS		REMARKS
		Part Number	Illus. No.		New Part Number	Change Point	
	DOOR FITTINGS						
1	Lock assembly—door—R/H	AFH1682	1	1			
2	Lock assembly—door—L/H	AFH1683		1			
3	Cable—operating	7H9958	2	2			
4	Screw fixing lock	PMZ0308	3	10			
5	Washer—plain—screw	PWZ203	4	10			
6	Washer—spring—screw	LWZ203	5	10			
7	Plate—striking	AFH1684	6	2			
8	Plate—striker tapping	AFH1685	7	2			
9	Screw fixing striker	CMZ0412	8	4			
10	Grommet—door lock release (rubber)	RFN110	9	2			
11	Buffer assembly—door	AAA5115	10	4			Part No. change; was MB19556
12	Screw fixing buffer	AJD2245ZP	11	4			
13	Nut—door lock cable	FNZ108	12	2			
14	Lock assembly—door—R/H	AFH3894		1			
15	Lock assembly—door—L/H	AFH3895		1			
16	Lock—R/H	17H9736	13	1			
17	Lock—L/H	17H9737		1			
18	Remote control mechanism—R/H	17H9738	14	1			
19	Remote control mechanism—L/H	17H9739		1			
20	Link—connecting	17H9740	15	2			
21	Stop—anti-rattle	17H9735	16	2			
22	Washer (rubber)	17H9742	39	4			
23	Rivet	17H9743	40	4			
24	Screw fixing lock	PMZ0306		14			
25	Washer—plain—screw	PWZ203		6			
26	Washer—spring—screw	LWZ203		6			
27	Washer—shakeproof—for screw	LWZ408		8			Part No. change; was AJD7623
28	Plate—striker—R/H	AFH3896	17	1			
29	Plate—striker—L/H	AFH3897		1			
30	Plate—striker tapping	AFH3792	18	2			
31	Screw fixing striker— $\frac{3}{4}$ "	CMZ0412	19	2			
32	Screw fixing striker— $1\frac{1}{4}$ "	CMZ0420	20	4			



SERVICE PARTS LIST

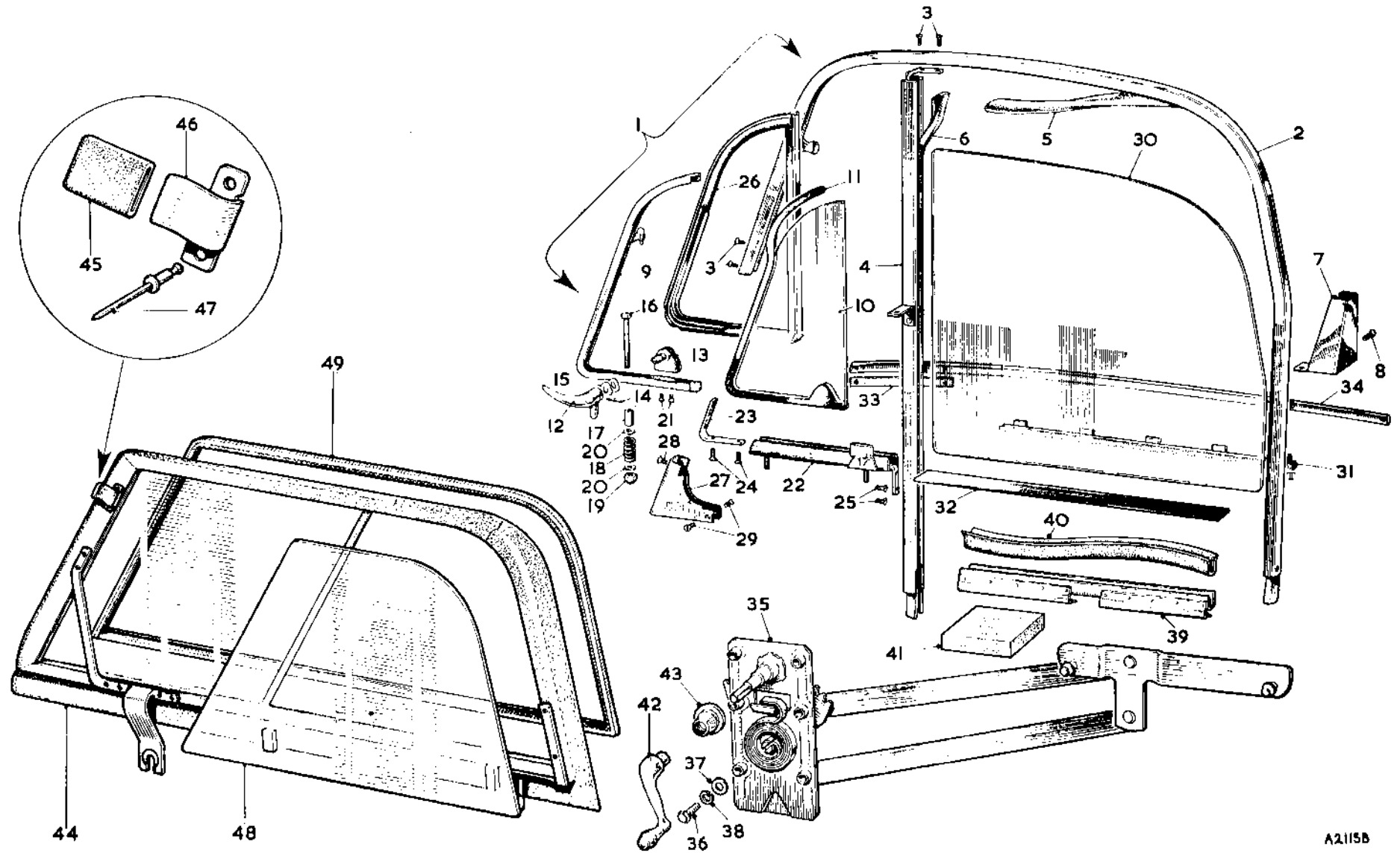
THE MGA 1600

Item No.	DESCRIPTION	Commencing (C) 68851		Quantity	MODIFICATIONS		REMARKS
		Part Number	Illus. No.		New Part Number	Change Point	
	Door Fittings - continued						
1	Lock assembly—private	AFH3893	21	1			
2	Cylinder—lock with keys	24G1346	22	1			Part No. change; was 17H9745
3	Key	ANK4646	23	2			
4	Peg—retaining	17H9930	24	1			
5	Latch	17H9744	25	1			
6	Bolt—latch	AKC453	26	1			
7	Washer—bolt	LWN504	27	1			Part No. change; was 17H9741
8	Locknut	AKC455	28	1			
9	Washer (waved)	AKC454	29	1			
10	Washer—seating	AKC451	30	1			
11	Housing—lock	AKC458	31	1			
12	Handle—door	AFH3796	32	2			
13	Insert—door handle (rubber)	17H9989	33	2			
14	Washer—seating	AFH4513	34	2			
15	Screw fixing handle	RM10308	35	4			
16	Nut—screw	LNZ203	36	4			
17	Handle—remote control	AD115182	37	2			
18	Escutcheon assembly—handle	AD13709	38	2			

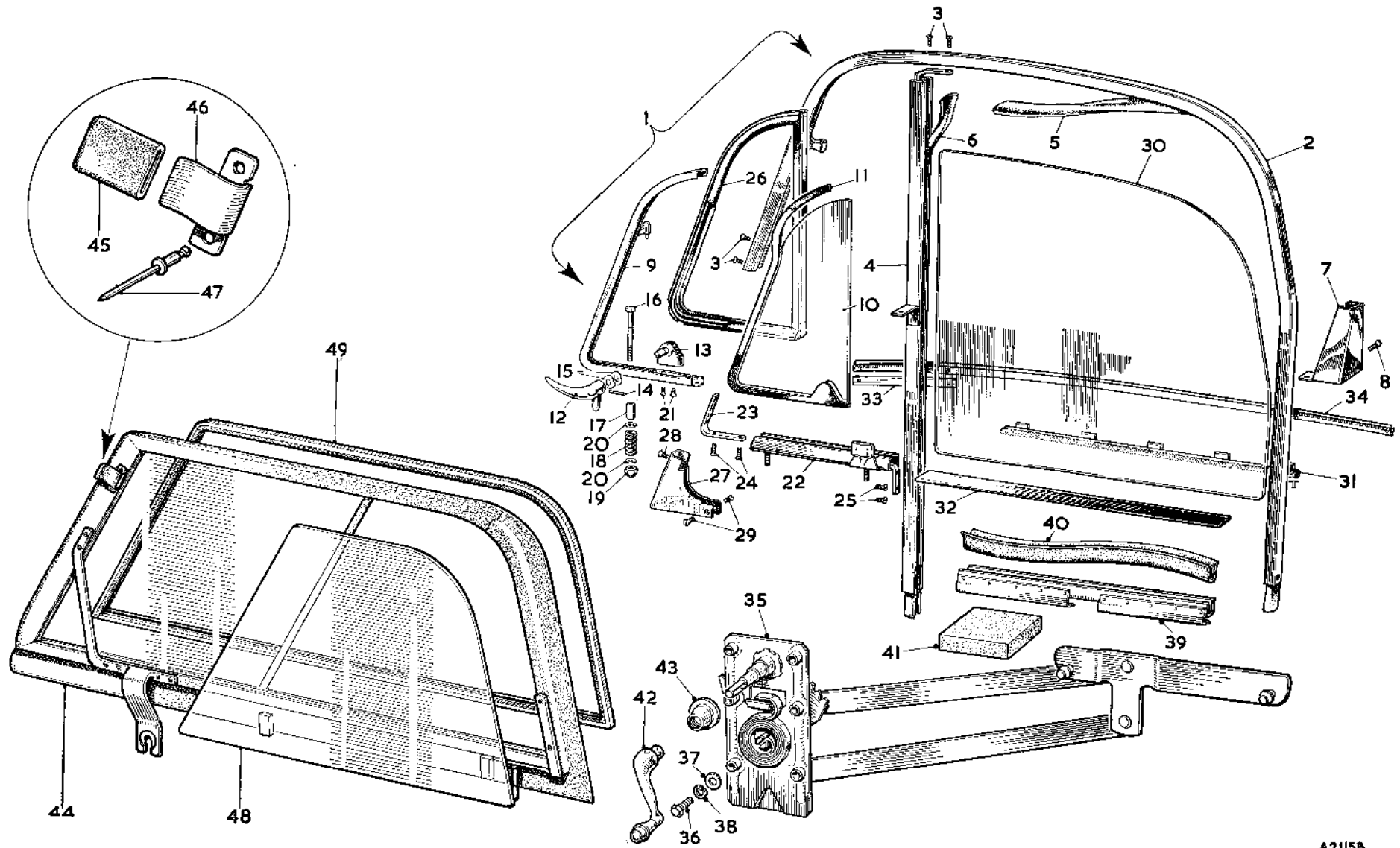
Coupe

W

Item No.	DESCRIPTION	Commencing (C) 68851		Quantity	MODIFICATIONS		REMARKS
		Part Number	Illus. No.		New Part Number	Change Point	
	WINDOWS						
	COUPE						
1	Frame and ventilator assembly—R/H	AF113802	1	1			
2	Frame and ventilator assembly—L/H	AFH3803		1			
3	Channel assembly—R/H—surround	AFH4858	2	1			
4	Channel assembly—L/H—surround	AFH4859		1			
5	Screw fixing channel	RMP0204	3	4			
6	Channel assembly—R/H—vertical	AFH4860	4	1			
7	Channel assembly—L/H—vertical	AF114861		1			
8	Strip—surround channel (felt)	AFH4862	5	2			
9	Strip—surround channel (felt)	AFH4863	6	2			
10	Blending piece—rear—R/H	AFH4864	7	1			
11	Blending piece—rear—L/H	AFH4865		2			
12	Screw fixing blending piece	17H9935	8	2			
13	Ventilator assembly—R/H	AF114848		1			
14	Ventilator assembly—L/H	AFH4849		1			
15	Frame assembly—R/H	AFH4872	9	1			
16	Frame assembly—L/H	AFH4873		1			
17	Glass	AFH4847	10	2			
18	Strip—glazing	AFH4874	11	2			
19	Handle—locking—R/H	AF116532	12	1			
20	Handle—locking—L/H	AFH6533		1			
21	Bracket—locking handle	AFH6531	13	2			
22	Pin—locking handle	AF116534	14	2			
23	Washer—locking handle (waved)	AFH4875	15	4			
24	Bolt—vent pivot	AFH4876	16	2			
25	Sleeve—bolt	AF114877	17	2			
26	Spring—bolt	AFH4878	18	2			
27	Nut—bolt	LNZ204	19	2			
28	Washer—plain—nut	PWZ204	20	4			
29	Screw fixing bracket	CMF0204	21	4			
30	Channel—assembly—R/H—bottom	AFH4866	22	1			
31	Channel—assembly—L/H—bottom	AF114867		1			
32	Bracket—corner front	AFH4868	23	2			
33	Screw fixing bracket—front	CMZ0204	24	8			
34	Screw fixing bracket—rear	CMZ0204	25	4			
35	Rubber—surround—R/H	AFH4870	26	1			
36	Rubber—surround—L/H	AFH4871		1			
37	Blending piece—front	AFH4869	27	2			
38	Screw fixing blending piece	17H9934	28	2	7119914		17H9934 not available; use 71H9914
39	Screw fixing blending piece	17H9935	29	4			
40	Glass—door	AFH4453	30	2			
41	Weatherstrip—window frame	AF114455	31	2			



A2115B



A2115B

SERVICE PARTS LIST

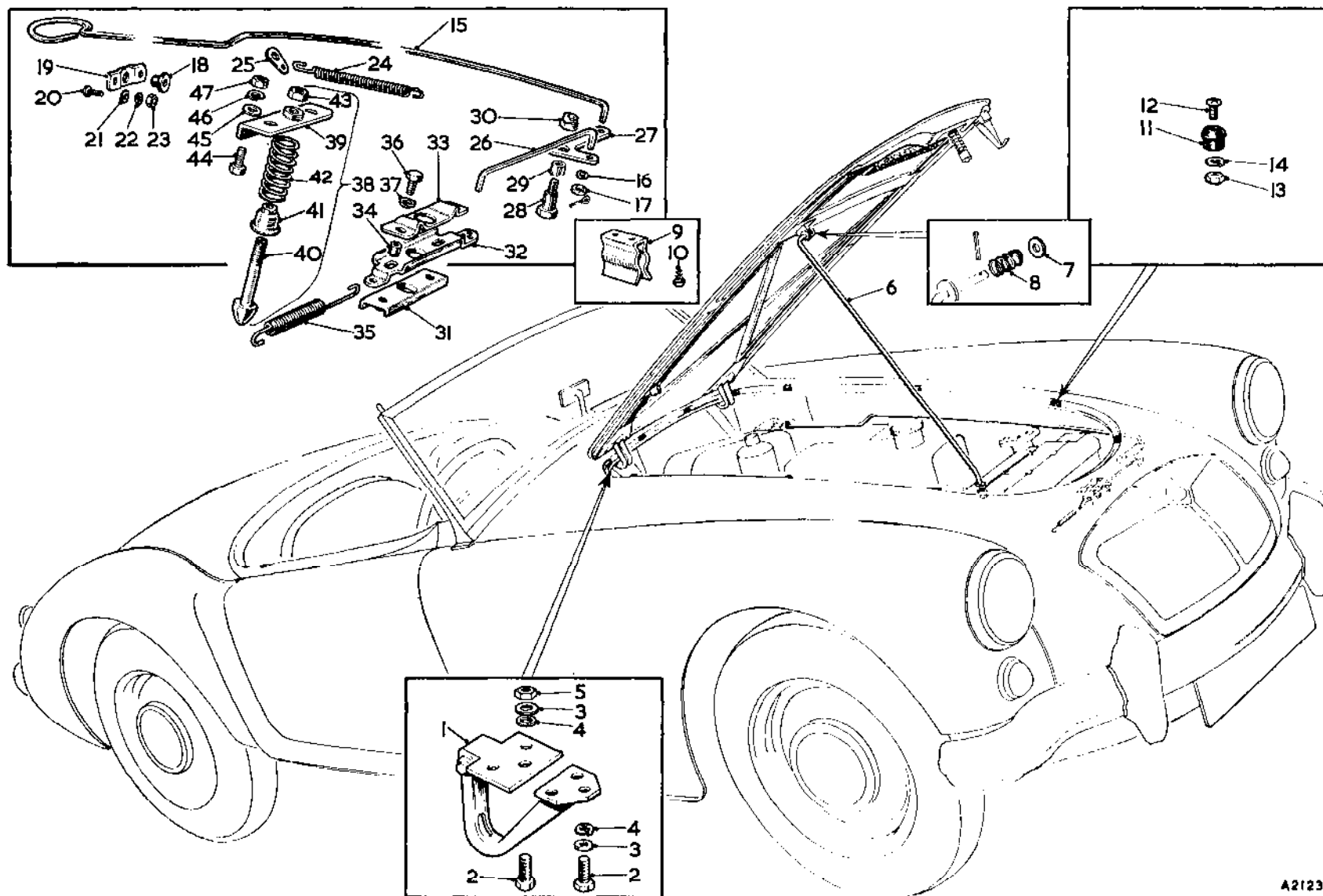
THE MGA 1600

Item No.	DESCRIPTION	Commencing (C) 08851		Quantity	MODIFICATIONS		REMARKS
		Part Number	Illus. No.		New Part Number	Change Point	
	Windows—Coupé—continued						
1	Weatherstrip -garnish rail	AFH4456	32	2			
2	Packing- weatherstrip finisher	AFH4569	33	2			
3	Finisher -weatherstrip—R/H	AFH4458	34	1			
4	Finisher weatherstrip—L/H	AFH4459		1			
5	Regulator assembly—R/H	AFH3898	35	1			
6	Regulator assembly—L/H	AFH3899		1			
7	Screw fixing regulator	HZS0404	36	12			
8	Washer—plain—screw	PWZ204	37	12			
9	Washer—spring—screw	LWZ204	38	12			
10	Channel—glass lower	AFH3900	39	2			
11	Strip—glazing	AFH4454	40	2			
12	Buffer- door glass stop (rubber)	AFH4568	41	2			
13	Handle- window regulator	ADH5481	42	2			
14	Escutcheon assembly- handle	ABD709	43	2			
	SIDESCREENS TOURER						
15	Sidescreen assembly—R/H—Grey	AFH6612	44	1	AFH6896] Com. (C) 00200	AFH6612 not available; use AFH6896
16	Sidescreen assembly—L/H—Grey	AFH6613		1	AFH6897		AFH6613 not available; use AFH6897
17	Sidescreen assembly- R/H Beige	AFH6798		1	AFH6898] Com. (C) 00806	AFH6798 not available; use AFH6898
18	Sidescreen assembly- L/H Beige	AFH6799		1	AFH6899		AFH6799 not available; use AFH6899
19	Sidescreen assembly--R/H—Blue	AFH6800		1	AFH7450] Com. (C) 97104	AFH6800 not available; use AFH7450
20	Sidescreen assembly—L/H—Blue	AFH6801		1	AFH7451		AFH6801 not available; use AFH7451
21	Sleeve front clip (rubber)	AFH6821	45	2			
22	Clip - sidescreen front	AFH6820	46	2			
23	Rivet pop	37H9776	47	4			
24	Sliding sidescreen panel R/H	AFH6814	48	1			
25	Sliding sidescreen panel - L/H	AFH6815		1			AFH6815 correction; was AFH6814
26	Silent channel	AFH6824	49	2			

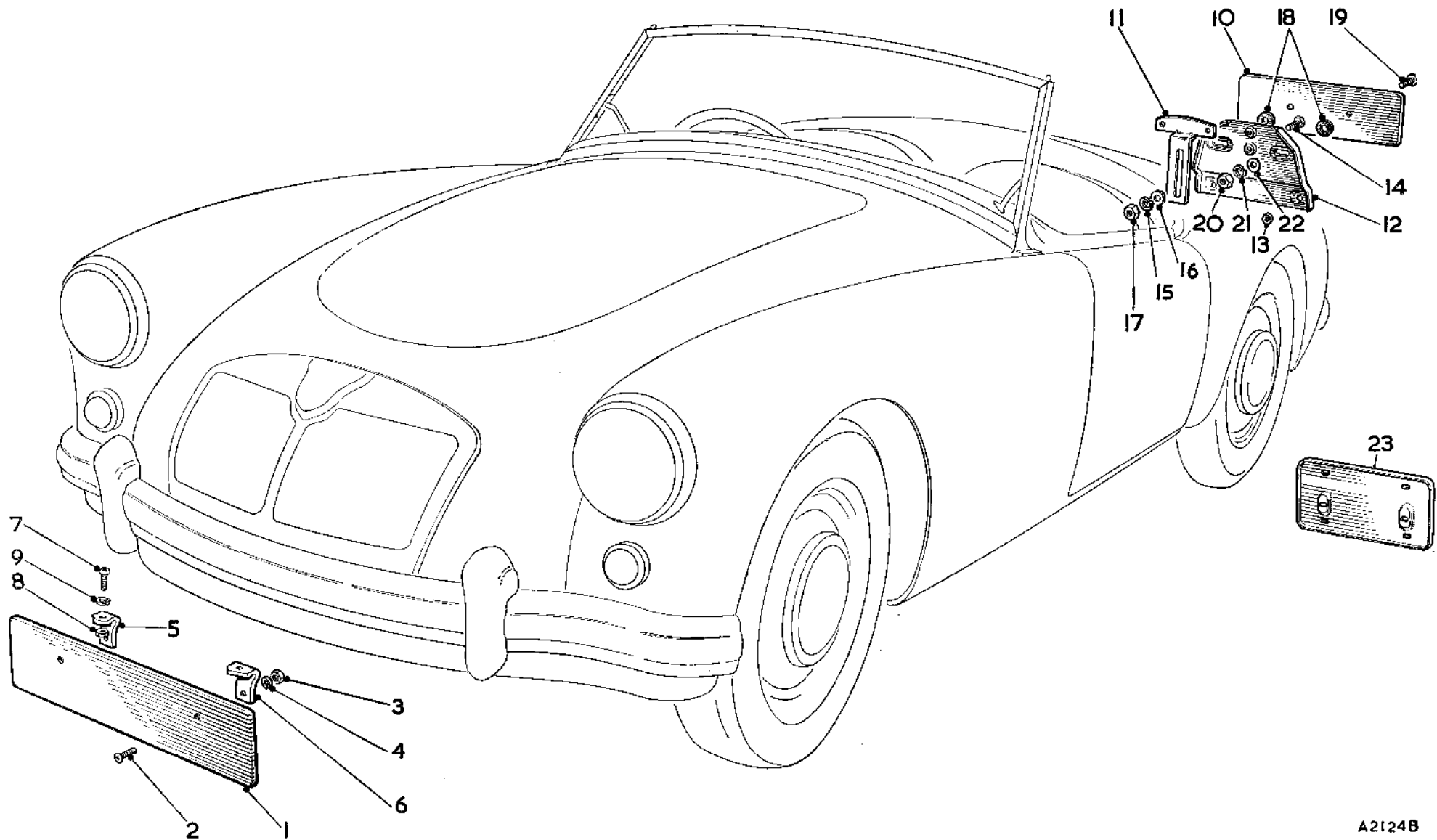
SERVICE PARTS LIST

THE MGA 1600

Item No.	DESCRIPTION	Commencing (C) 68851		Quantity	MODIFICATIONS		REMARKS
		Part Number	Illus. No.		New Part Number	Change Point	
BONNET FITTINGS							
1	Hinge—bonnet lid—R/H	AFH1514	1	1			
2	Hinge—bonnet lid—L/H	AFH1515	1	1			
3	Screw fixing hinge	AFH2587	2	12	53K126		AFH2587 not available; use 53K126
4	Washer—plain—screw	PWZ203	3	12			
5	Washer—spring—screw	LWZ203	4	12			
6	Nut—screw	FNZ103	5	2			
7	Rod—lid support	AFH1755	6	1			
8	Washer—plain—rod	PWZ105	7	1			
9	Spring—rod	AAA2398	8	1			Part No. change; was 139282
10	Clip—rod	AHH5460	9	1			
11	Screw fixing clip	PTZ603	10	2			
12	Buffer—bonnet lid	AAA4598	11	10			Part No. change; was 271601
13	Screw fixing buffer	PMZ0208	12	10			
14	Nut—screw	CNZ102	13	10			
15	Washer—spring—nut	LWZ202	14	10			
16	Rod—bonnet catch control	AFH1757	15	1			
17	Washer—spring—rod	AAA1514	16	3			Part No. change; was 12890
18	Washer—plain—rod	PWZ203	17	3			
19	Grommet—dash panel	AAA1881	18	1			Part No. change; was 133221
20	Plate—grommet retaining	AAA1882	19	1			Part No. change; was 133222
21	Screw fixing plate	PMZ0208	20	2			
22	Washer—plain—screw	PWZ202	21	2			
23	Washer—spring—screw	LWZ202	22	2			
24	Nut—screw	CNZ102	23	1			
25	Spring—anti-rattle	AAA788	24	1			Part No. change; was 95219
26	Plate—spring tension	ADA2463	25	1			
27	Rod—control	AAA1876	26	1			Part No. change; was 133213
28	Lever—control rod	AFH1654	27	1			
29	Bolt—lever pivot	AFH1655	28	1			
30	Tube—bolt distance	AFH1675	29	1			
31	Nut—bolt	LNZ103	30	1			
32	Support assembly—slider	ADH456	31	1			
33	Slider—bonnet catch	ADA461	32	1			
34	Plate—guide	ADA463	33	1			
35	Tube—distance	ADA464	34	2			
36	Spring—tension	ADA466	35	1			
37	Bolt fixing catch	HBZ0408	36	2			
38	Washer—spring—bolt	LWZ204	37	2			
39	Pin assembly—striker	AFH1739	38	1			
40	Bracket	ADH4869	39	1			
41	Pin	ADC2781	40	1	14A6586		ADC2781 not available; use 14A6586
42	Cup—spring retaining	ADA458	41	1			
43	Spring	14B2846	42	1			
44	Nut	FNZ206	43	1			
45	Screw fixing pin	HZS0405	44	2			
46	Washer—plain—screw	PWZ204	45	2			
47	Washer—spring—screw	LWZ204	46	2			
48	Nut—screw	FNZ104	47	2			



A2123B

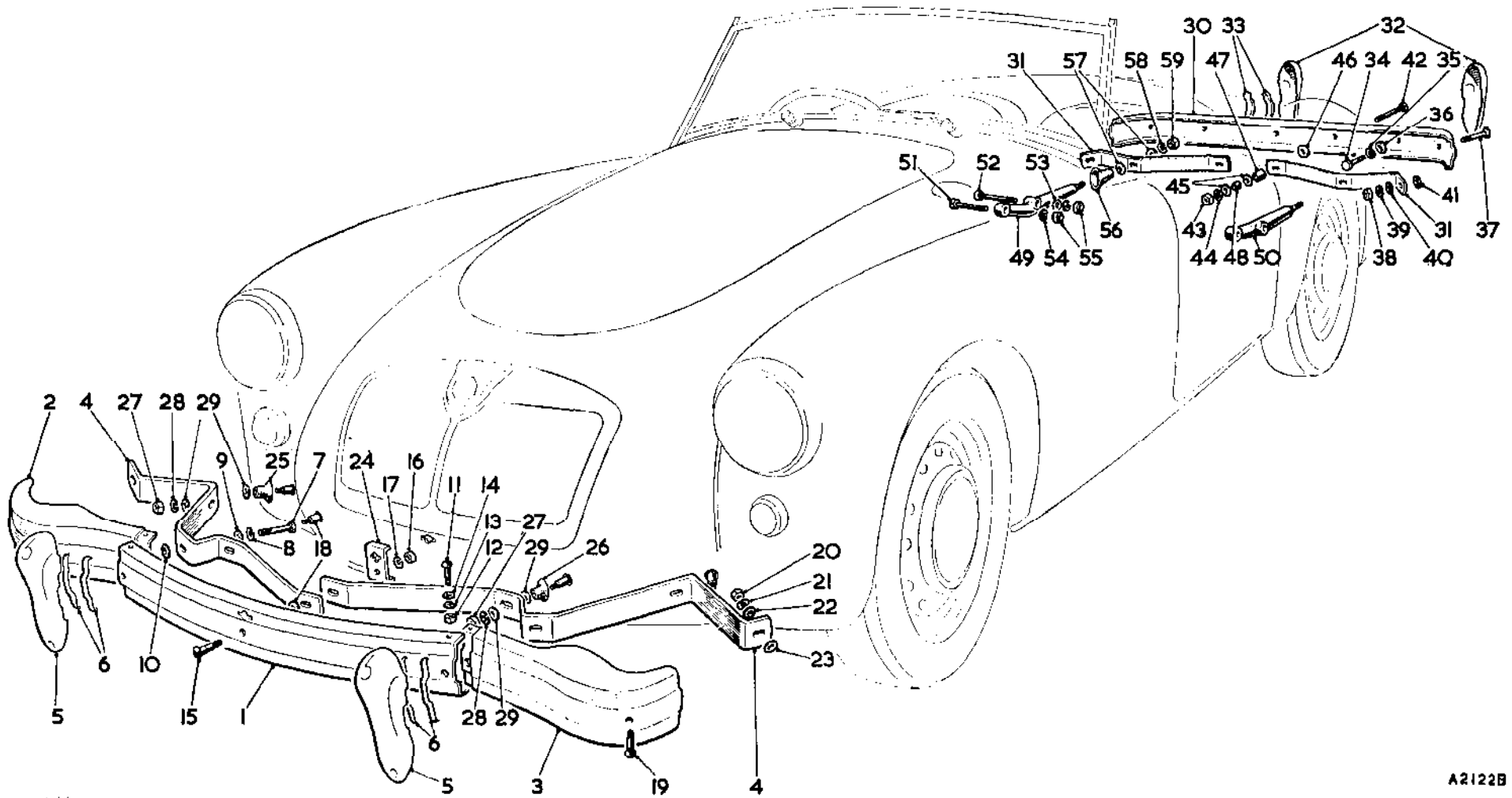


A2124B

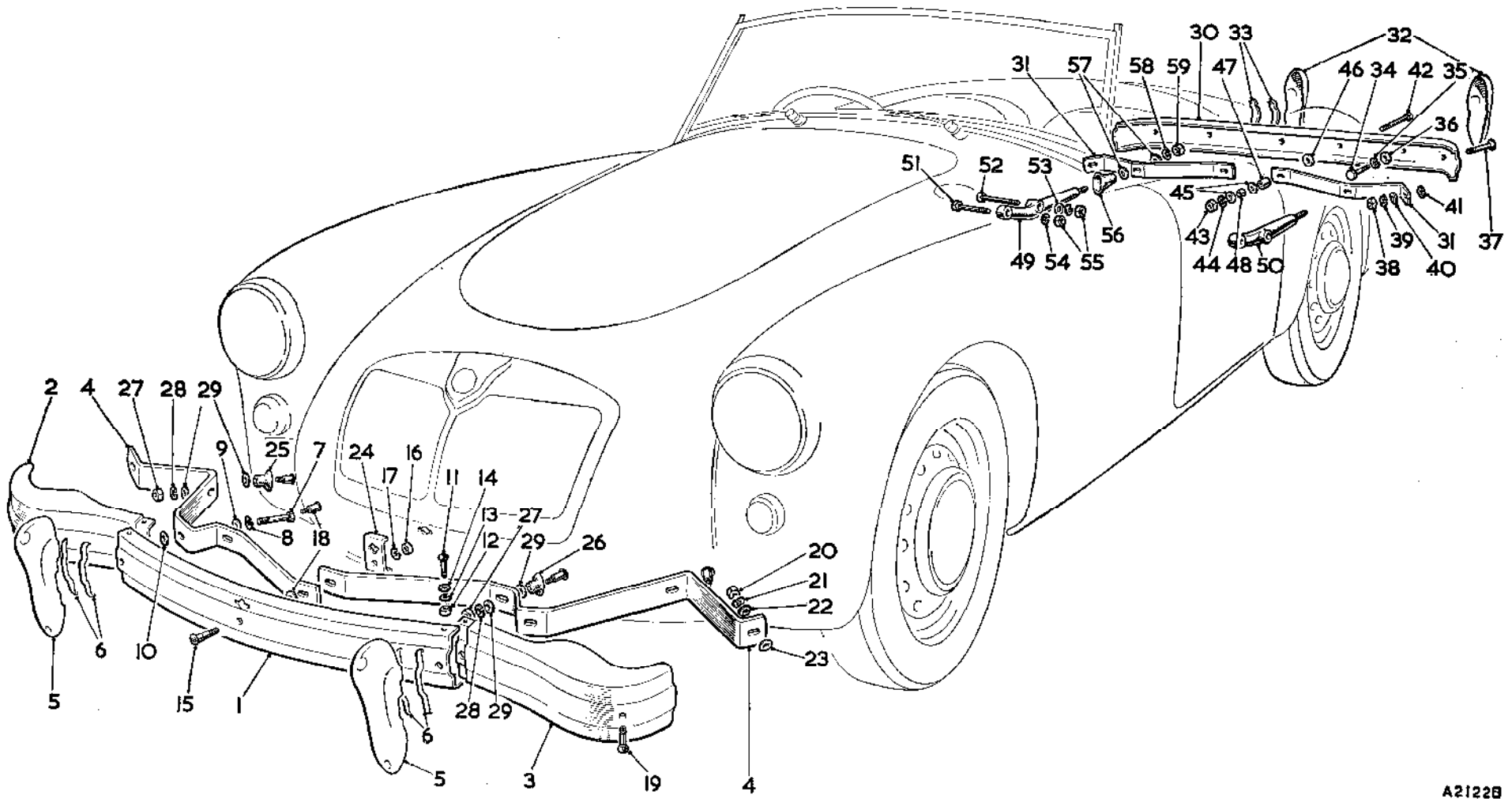
SERVICE PARTS LIST

THE MGA 1600

Item No.	DESCRIPTION	Commencing (C) 68851		Quantity	MODIFICATIONS		REMARKS
		Part Number	Illus. No.		New Part Number	Change Point	
BUMPERS AND FITTINGS							
1	Bumper assembly—front	N.S.P.		1			
2	Bar—centre	AHH5474	1	1			
3	Bar—corner—R/H	AHH5486	2	1			
4	Bar—corner—L/H	AHH5487	3	1			
5	Spring—main	AHH5476	4	2			
6	Over-rider assembly	AHH5478	5	2			
7	Moulding (P.V.C.)	AHH5488	6	4			
8	Bolt—over-rider to bumper bar	HBZ0620	7	2			
9	Washer—spring—bolt	LWZ206	8	2			
10	Washer—plain—bolt	PWZ106	9	2			
11	Washer—special—bolt	AHH5494	10	2			
12	Bolt—corner bar to centre bar	IG9840	11	2			
13	Nut—bolt	FNZ105	12	2			
14	Washer—spring—nut	LWZ205	13	2			
15	Washer—special—nut	AHH5492	14	2			
16	Bolt—mainspring to centre bar	AHH5479	15	1	ACH9287		AHH5492 not available; use ACI9287
17	Nut—bolt	FNZ106	16	1			
18	Washer—spring—nut	LWZ206	17	1			
19	Washer—special—nut	AHH5494	18	1			
20	Bolt—mainspring to corner bar	IG9872	19	2			Part No. change; was AHH5480
21	Nut—bolt	FNZ106	20	2			
22	Washer—spring—nut	LWZ206	21	2			
23	Washer—plain—nut	PWZ106	22	2			
24	Washer—special—nut	AHH5494	23	2			
25	Bracket—starting handle	AHH5477	24	1			
26	Grommet—outer stud	AHH5168	25	2			
27	Grommet—inner stud	AHH5164	26	2			
28	Nut—bumper support stud	FNZ108	27	4			
29	Washer—spring—nut	LWZ208	28	4			
30	Washer—plain—nut	PWZ208	29	8			
31	Bumper assembly—rear	N.S.P.		1			
32	Bar—bumper	AHH5481	30	1			
33	Spring—main	AHH5482	31	2			
34	Over-rider assembly	AHH5478	32	2			
35	Moulding (P.V.C.)	AHH5488	33	4			
36	Bolt—over-rider to bumper bar	HBZ0616	34	2			
37	Washer—spring—bolt	LWZ206	35	2			
38	Washer—special—bolt	AHH5494	36	2			



A2122B



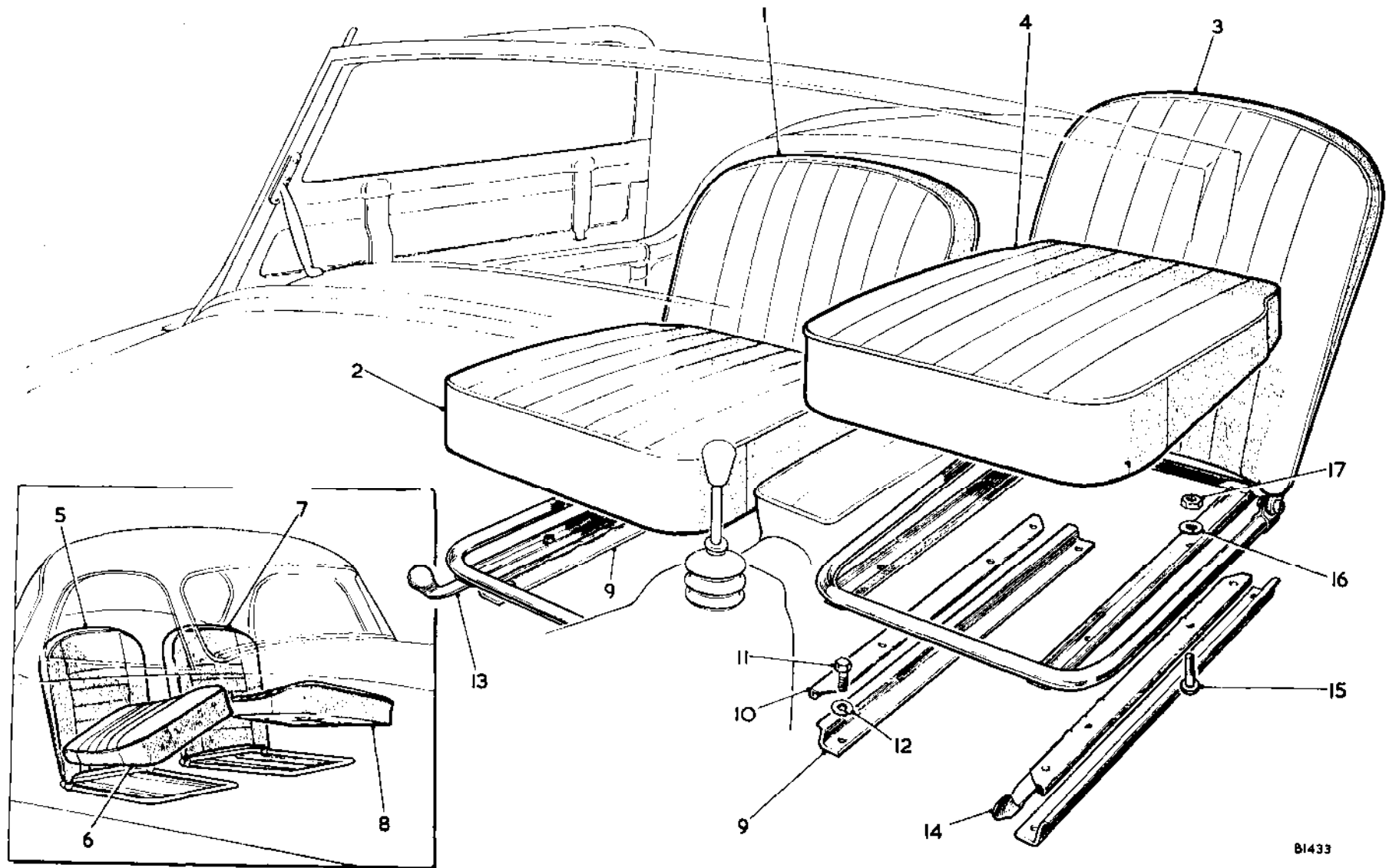
A2122B

SERVICE PARTS LIST

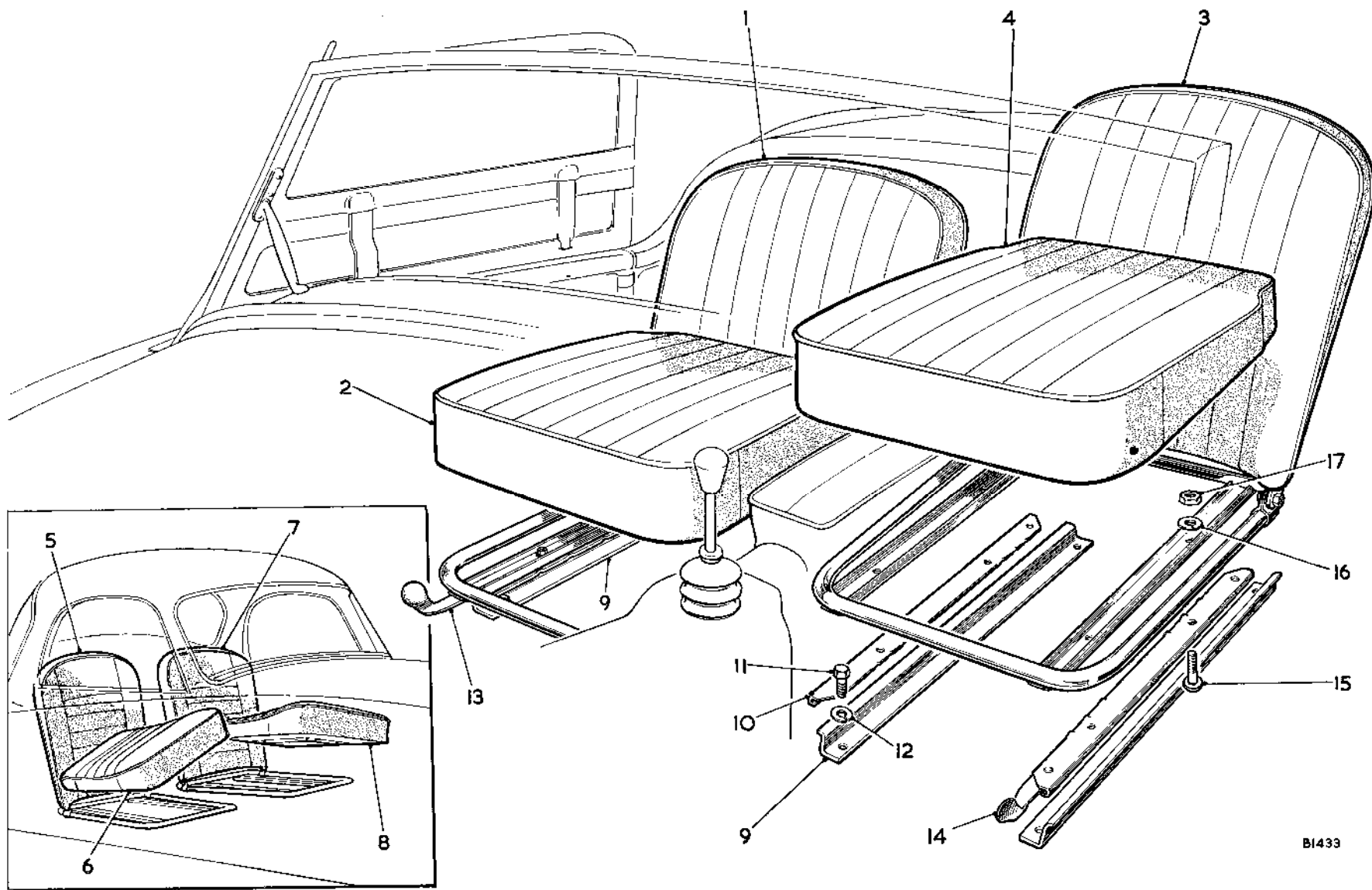
THE MGA 1600

Item No.	DESCRIPTION	Commencing (C) 08851		Quantity	MODIFICATIONS		REMARKS
		Part Number	Illus. No.		New Part Number	Change Point	
	Bumpers and Fittings—continued						
1	Bolt mainspring to bar (outer)	1G9872	37	2			Part No. change; was AHH5480
2	Nut bolt	FNZ106	38	2			
3	Washer spring nut	LWZ206	39	2			
4	Washer plain nut	PWZ106	40	2			
5	Washer special—nut	AHH5494	41	2			
6	Bolt—mainspring to bar (inner)	AHH5485	42	2			
7	Nut—bolt	FNZ106	43	2			
8	Washer spring—nut	LWZ206	44	2			
9	Washer plain—nut	PWZ206	45	1			
10	Washer special—nut	AHH5494	46	2			
11	Distance piece—mainspring to bolt	AHH5483	47	2			
12	Distance tube—mainspring to bolt	AHH5484	48	2			
13	Bracket—rear bumper mounting—R/H	AHH5093	49	1			
14	Bracket—rear bumper mounting—L/H	AHH5094	50	1			
15	Bolt fixing bracket	H13Z0730	51	2			
16	Bolt fixing bracket	H13Z0732	52	2			
17	Washer plain—bolt	PWZ107	53	2			
18	Washer spring bolt	LWZ207	54	4			
19	Nut bolt	FNZ107	55	1			
20	Grommet—bracket (rubber)	AAA1045	56	2			Part No. change; was T30383
21	Washer plain bumper stud	PWZ208	58	1/2			Quantity reduced at (C) 102381
22	Washer—spring—bumper stud	LWZ208	59	2			
23	Nut—stud	FNZ108	59	2			
24	Distance piece—rear bumper			2	AHH6161	Fin. (C) 102380 ?	
25	Locknut—stud		57 ?	2	FNZ208	Com. (C) 102381	

Item No.	DESCRIPTION	Commencing (C) 68851		Quantity	MODIFICATIONS		REMARKS
		Part Number	Illus. No.		New Part Number	Change Point	
	SEATS AND SEAT FITTINGS						
1	Seat assembly less cushion—bucket—R/H—Red with Red piping	AFH2456	1	1			Tourer
2	Seat assembly less cushion—bucket—R/H—Beige with Beige piping	AFH6672		1			
3	Seat assembly less cushion—bucket—R/H—Black with Red piping	AFH5852		1			
4	Seat assembly less cushion—bucket—R/H—Black with Blue piping	AFH6674		1			
5	Seat assembly less cushion—bucket—R/H—Black with White piping	AFH5858		1			
6	Squab assembly—bucket seat—R/H—Red with Red piping	AFH2614		1			
7	Squab assembly—bucket seat—R/H—Beige with Beige piping	AFH6680		1			
8	Squab assembly—bucket seat—R/H—Black with Red piping	AFH5876		1			
9	Squab assembly—bucket seat—R/H—Black with Blue piping	AFH6682		1			
10	Squab assembly—bucket seat—R/H—Black with White piping	AFH5882		1			
11	Cover assembly—bucket seat squab—R/H—Red with Red piping	AF112612		1			
12	Cover assembly—bucket seat squab—R/H—Beige with Beige piping	AFH6688		1			
13	Cover assembly—bucket seat squab—R/H—Black with Red piping	AFH6454		1			
14	Cover assembly—bucket seat squab—R/H—Black with Blue piping	AF116690		1			
15	Cover assembly—bucket seat squab—R/H—Black with White piping	AFH6460		1			
16	Cushion assembly—bucket seat—R/H—Red with Red piping	AFH2458	2	1			
17	Cushion assembly—bucket seat—R/H—Beige with Beige piping	AF116676		1			
18	Cushion assembly—bucket seat—R/H—Black with Red piping	AFH5864		1			
19	Cushion assembly—bucket seat—R/H—Black with Blue piping	AFH6678		1			
20	Cushion assembly—bucket seat—R/H—Black with White piping	AF115870		1			
21	Cover assembly—bucket seat cushion—R/H—Red with Red piping	AFH2610		1			
22	Cover assembly—bucket seat cushion—R/H—Beige with Beige piping	AFH6684		1			
23	Cover assembly—bucket seat cushion—R/H—Black with Red piping	AFH5888		1			
24	Cover assembly—bucket seat cushion—R/H—Black with Blue piping	AFH6686		1			
25	Cover assembly—bucket seat cushion—R/H—Black with White piping	AFH5894		1			
26	Insert—seat cushion—R/H (rubber)	AF115804		1			



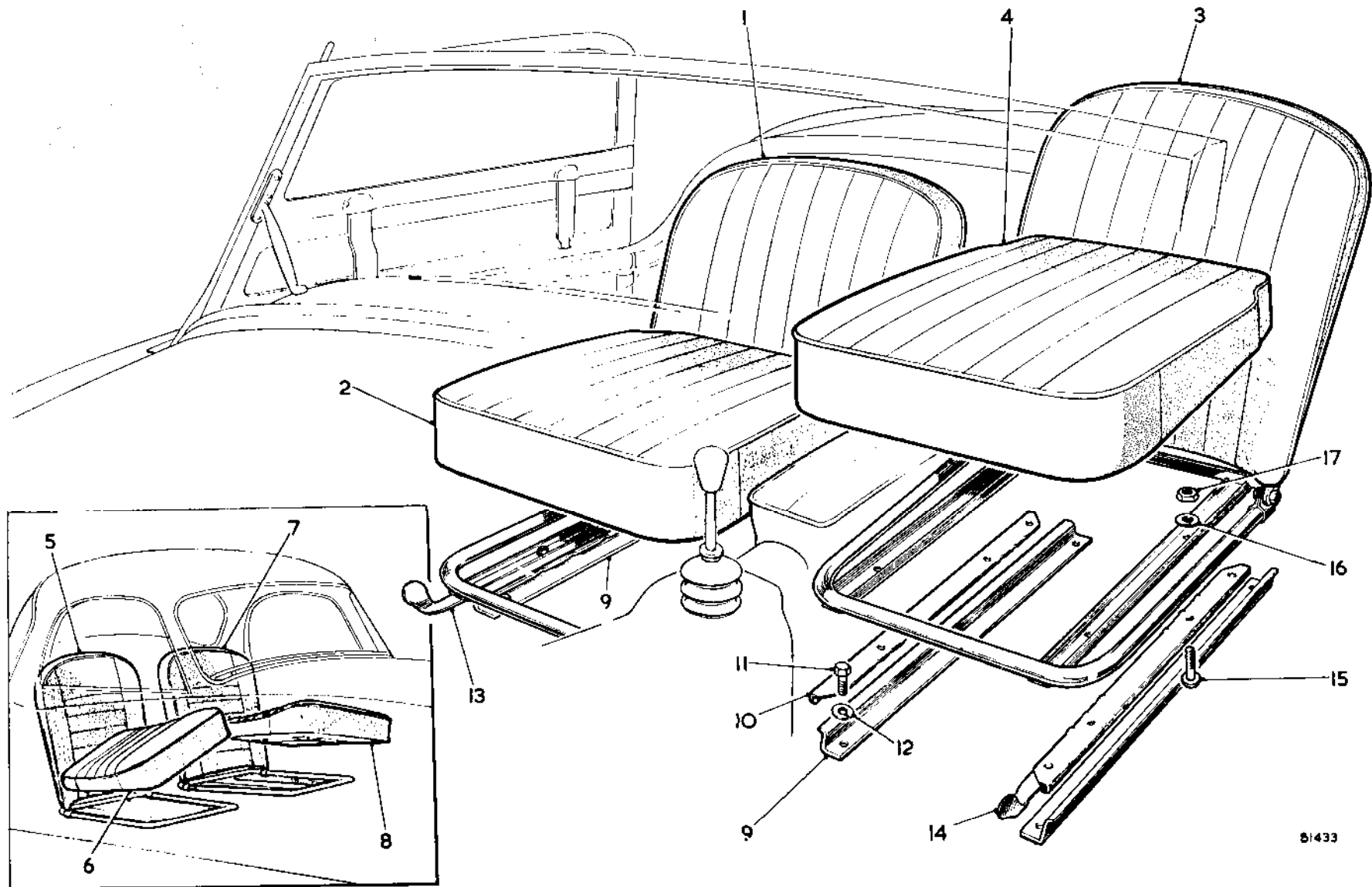
B1433

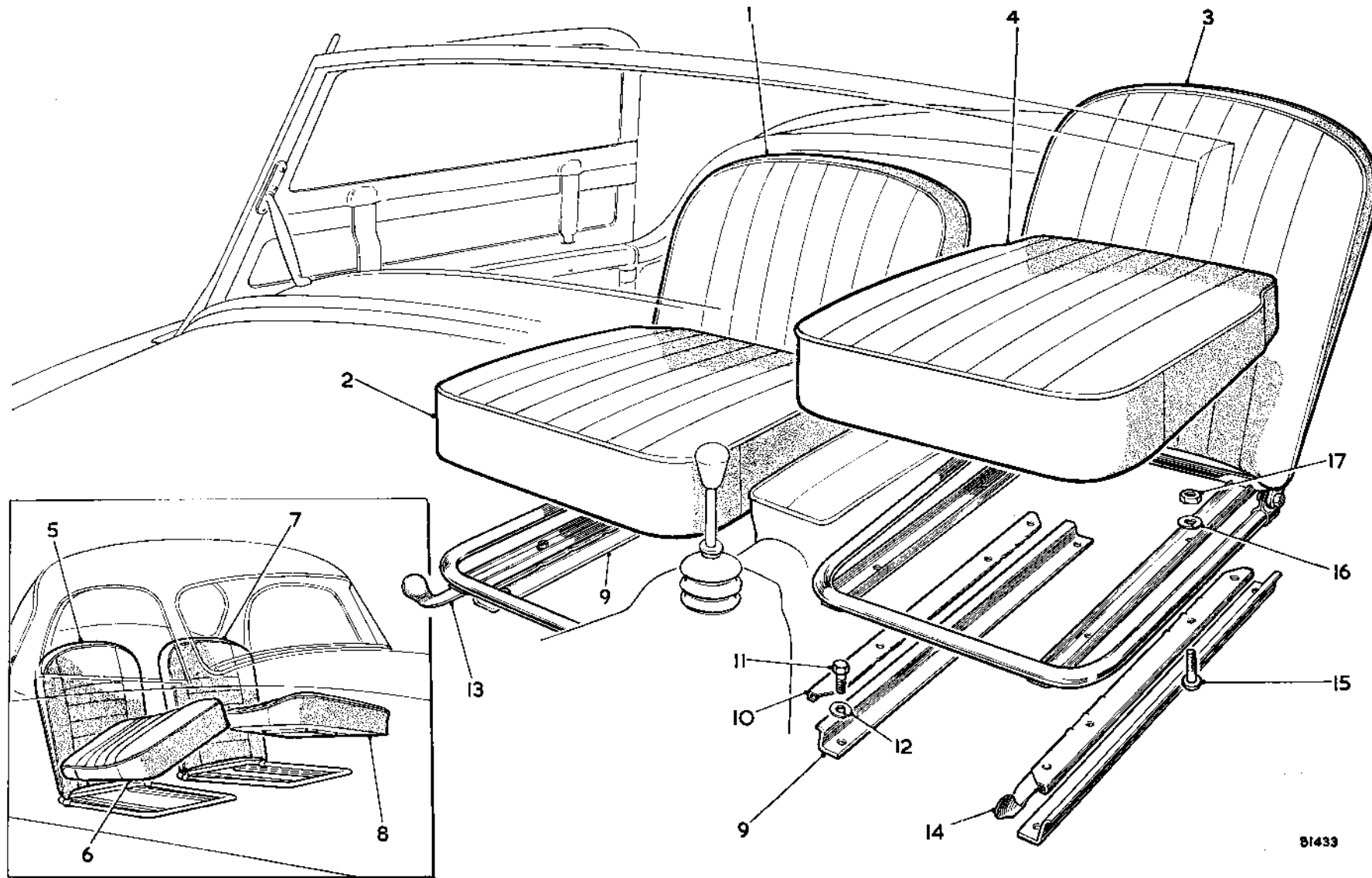


BI433

Item No.	DESCRIPTION	Commencing (C) 68851		Quantity	MODIFICATIONS		REMARKS
		Part Number	Illus. No.		New Part Number	Change Point	
	Seats and Fittings—continued						
1	Seat assembly less cushion—bucket—L/H—Red with Red piping	AFH12437	3	1			Tourer
2	Seat assembly less cushion—bucket—L/H—Beige with Beige piping	AFH16673		1			
3	Seat assembly less cushion—bucket—L/H—Black with Red piping	AFH15853		1			
4	Seat assembly less cushion—bucket—L/H—Black with Blue piping	AFH16675		1			
5	Seat assembly less cushion—bucket—L/H—Black with White piping	AFH5850		1			
6	Squab assembly—bucket seat—L/H—Red with Red piping	AFH12615		1			
7	Squab assembly bucket seat—L/H—Beige with Beige piping	AFH6681		1			
8	Squab assembly bucket seat—L/H—Black with Red piping	AFH5877		1			
9	Squab assembly bucket seat—L/H—Black with Blue piping	AFH16683		1			
10	Squab assembly bucket seat—L/H—Black with White piping	AFH5883		1			
11	Cover assembly—bucket seat squab—L/H—Red with Red piping	AFH2613		1			
12	Cover assembly bucket seat squab—L/H—Beige with Beige piping	AFH6689		1			
13	Cover assembly—bucket seat squab—L/H—Black with Red piping	AFH6455		1			
14	Cover assembly—bucket seat squab—L/H—Black with Blue piping	AFH6691		1			
15	Cover assembly bucket seat squab—L/H—Black with White piping	AFH6461		1			
16	Cushion assembly—bucket seat—L/H—Red with Red piping	AFH2459		1			
17	Cushion assembly bucket seat—L/H—Beige with Beige piping	AFH16677		1			
18	Cushion assembly bucket seat—L/H—Black with Red piping	AFH15865		1			
19	Cushion assembly bucket seat—L/H—Black with Blue piping	AFH16679		1			
20	Cushion assembly bucket seat—L/H—Black with White piping	AFH15871		1			
21	Cover assembly—bucket seat cushion—L/H—Red with Red piping	AFH12011		1			
22	Cover assembly bucket seat cushion—L/H—Beige with Beige piping	AFH16685		1			
23	Cover assembly bucket seat cushion—L/H—Black with Red piping	AFH15899		1			
24	Cover assembly bucket seat cushion—L/H—Black with Blue piping	AFH6687		1			
25	Cover assembly bucket seat cushion—L/H—Black with White piping	AFH15895		1			
26	Insert—seat cushion—L/H (rubber)	AFH5805		1			

Item No.	DESCRIPTION	Commencing (C) 68851		Quantity	MODIFICATIONS		REMARKS
		Part Number	Illus. No.		New Part Number	Change Point	
	Seats and Seat Fittings—continued						
1	Seat assembly less cushion—bucket—R/H—Red with Red piping	AFH4632	5	1			Coupe
2	Seat assembly less cushion—bucket—R/H—Beige with Beige piping	AFH6718		1			
3	Seat assembly less cushion—bucket—R/H—Black with Red piping	AFH5496		1			
4	Seat assembly less cushion—bucket—R/H—Black with Blue piping	AFH6720		1			
5	Seat assembly less cushion—bucket—R/H—Black with White piping	AFH5494		1			
6	Squab assembly—bucket seat—R/H—Red with Red piping	AFH4636		1			
7	Squab assembly—bucket seat—R/H—Beige with Beige piping	AFH6726		1			
8	Squab assembly—bucket seat—R/H—Black with Red piping	AFH5520		1			
9	Squab assembly—bucket seat—R/H—Black with Blue piping	AFH6728		1			
10	Squab assembly—bucket seat—R/H—Black with White piping	AFH5518		1			
11	Cover assembly—bucket seat squab—R/H—Red with Red piping	AFH4640		1			
12	Cover assembly—bucket seat squab—R/H—Beige with Beige piping	AFH6734		1			
13	Cover assembly—bucket seat squab—R/H—Black with Red piping	AFH5544		1			
14	Cover assembly—bucket seat squab—R/H—Black with Blue piping	AFH6736		1			
15	Cover assembly—bucket seat squab—R/H—Black with White piping	AFH5542		1			
16	Cushion assembly—bucket seat—R/H—Red with Red piping	AFH4634	6	1			
17	Cushion assembly—bucket seat—R/H—Beige with Beige piping	AFH6722		1			
18	Cushion assembly—bucket seat—R/H—Black with Red piping	AFH5508		1			
19	Cushion assembly—bucket seat—R/H—Black with Blue piping	AFH6724		1			
20	Cushion assembly—bucket seat—R/H—Black with White piping	AFH5506		1			
21	Cover assembly—bucket seat cushion—R/H—Red with Red piping	AFH4638		1			
22	Cover assembly—bucket seat cushion—R/H—Beige with Beige piping	AFH6730		1			
23	Cover assembly—bucket seat cushion—R/H—Black with Red piping	AFH5532		1			
24	Cover assembly—bucket seat cushion—R/H—Black with Blue piping	AFH6732		1			
25	Cover assembly—bucket seat cushion—R/H—Black with White piping	AFH5530		1			
26	Insert—seat cushion—R/H (rubber)	AFH5804		1			

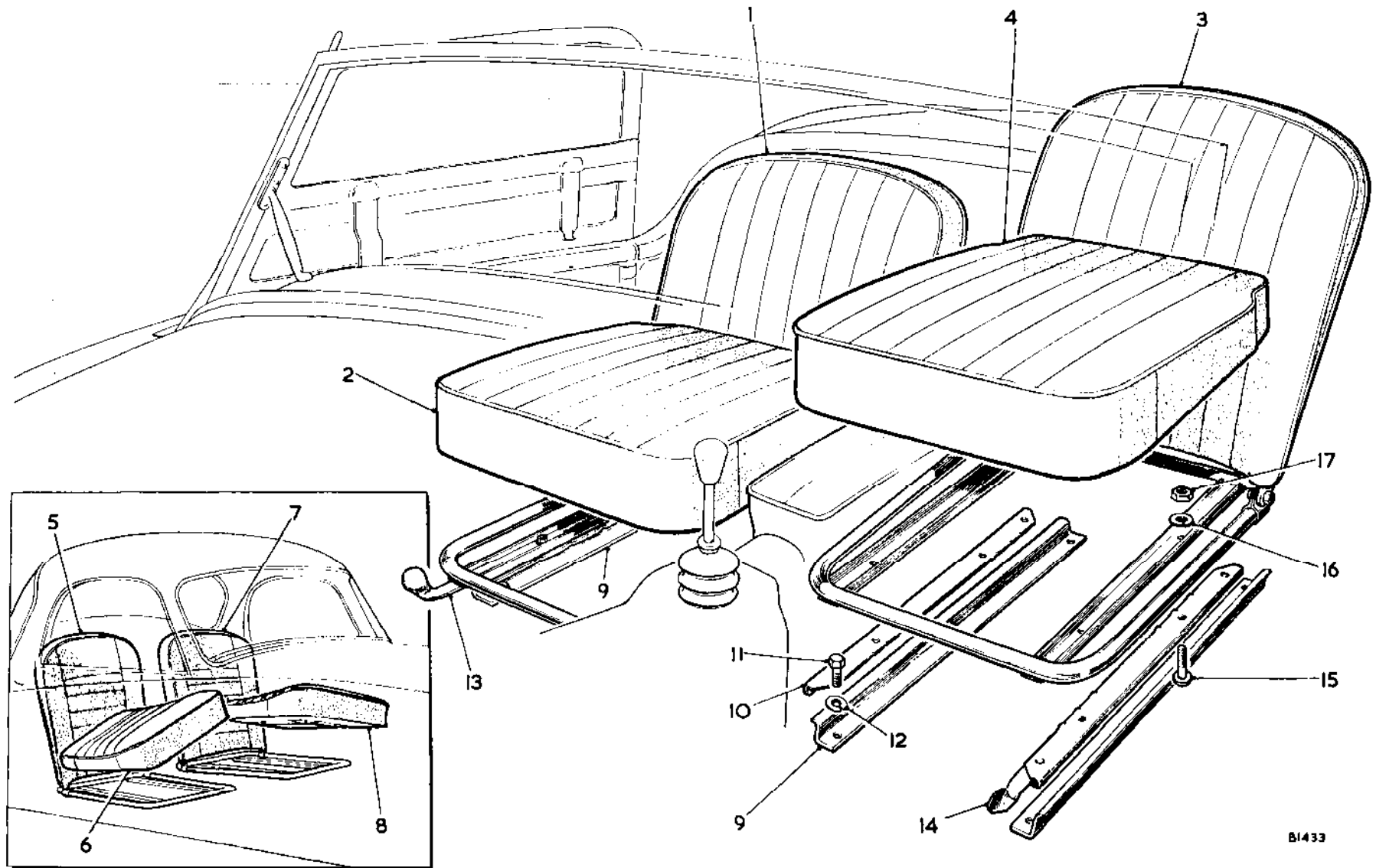




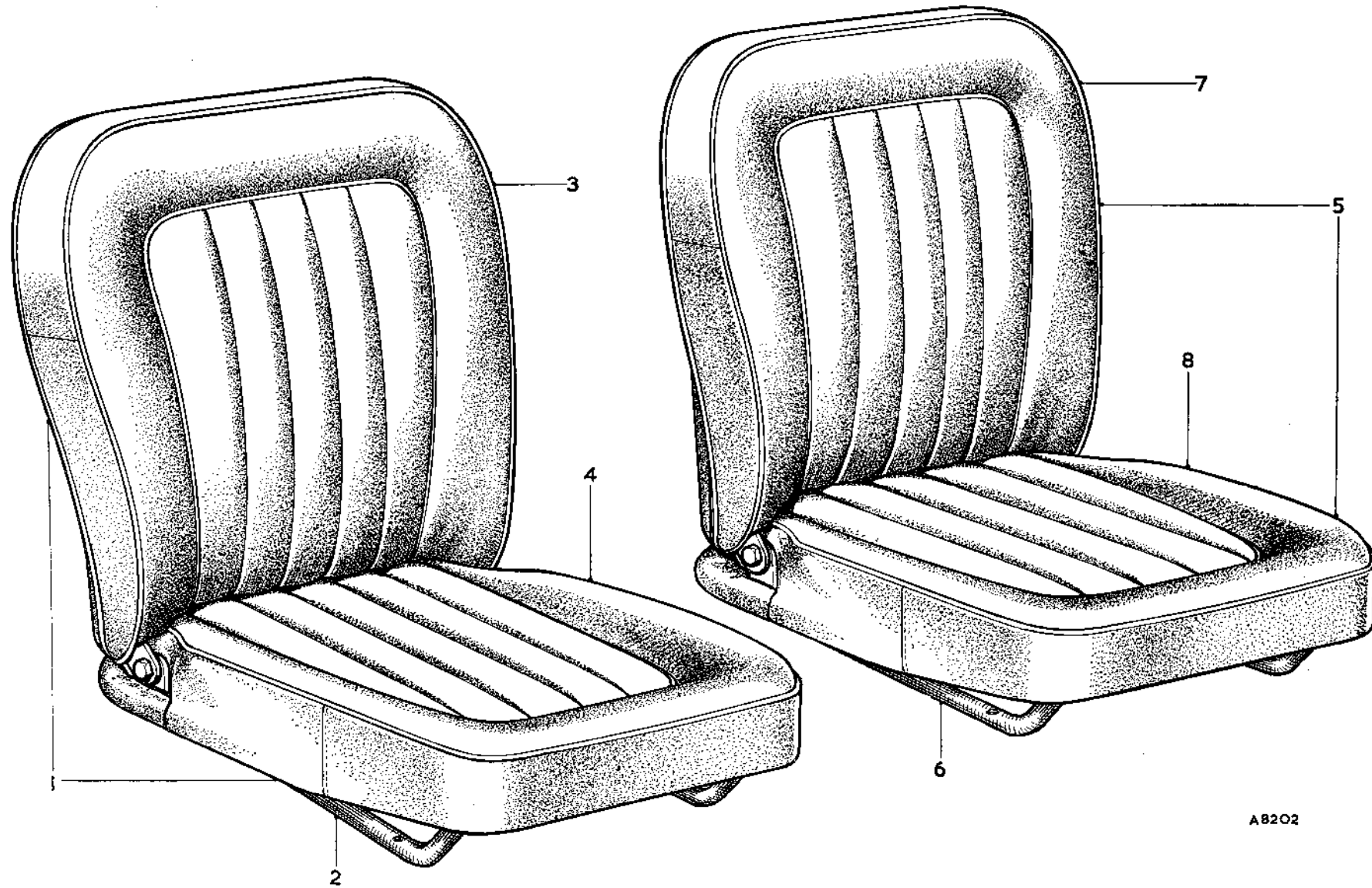
81433

Item No.	DESCRIPTION	Commencing (C) 68851		Quantity	MODIFICATIONS		REMARKS
		Part Number	Illus. No.		New Part Number	Change Point	
	Seats and Seat Fittings—continued						
1	Seat assembly less cushion—bucket—L/H—Red with Red piping	AFH4633	7	1			
2	Seat assembly less cushion—bucket—L/H—Beige with Beige piping	AFH6719		1			
3	Seat assembly less cushion—bucket—L/H—Black with Red piping	AFH5497		1			
4	Seat assembly less cushion—bucket—L/H—Black with Blue piping	AFH6721		1			
5	Seat assembly less cushion—bucket—L/H—Black with White piping	AFH5495		1			
6	Squab assembly—bucket seat—L/H—Red with Red piping	AFH4637		1			
7	Squab assembly—bucket seat—L/H—Beige with Beige piping	AFH6727		1			
8	Squab assembly—bucket seat—L/H—Black with Red piping	AFH5521		1			
9	Squab assembly—bucket seat—L/H—Black with Blue piping	AFH6729		1			
10	Squab assembly—bucket seat—L/H—Black with White piping	AFH5519		1			
11	Cover assembly—bucket seat squab—L/H—Red with Red piping	AFH4641		1			
12	Cover assembly—bucket seat squab—L/H—Beige with Beige piping	AFH6735		1			
13	Cover assembly—bucket seat squab—L/H—Black with Red piping	AFH5545		1			
14	Cover assembly—bucket seat squab—L/H—Black with Blue piping	AFH6737		1			
15	Cover assembly—bucket seat squab—L/H—Black with White piping	AFH5543		1			
16	Cushion assembly—bucket seat—L/H—Red with Red piping	AFH4635	8	1			
17	Cushion assembly—bucket seat—L/H—Beige with Beige piping	AFH6723		1			
18	Cushion assembly—bucket seat—L/H—Black with Red piping	AFH6725		1	AFH5500		AFH6725 not available; use AFH5500
19	Cushion assembly—bucket seat—L/H—Black with Blue piping	AFH5507		1	AFH6725		AFH5507 not available; use AFH6725
20	Cushion assembly—bucket seat—L/H—Black with White piping	AFH4638		1	AFH5507		AFH4638 not available; use AFH5507
21	Cover assembly—bucket seat cushion—L/H—Red with Red piping	AFH6731		1	AFH4639		AFH6731 not available; use AFH4639
22	Cover assembly—bucket seat cushion—L/H—Beige with Beige piping	AFH5533		1	AFH6731		AFH5533 not available; use AFH6731
23	Cover assembly—bucket seat cushion—L/H—Black with Red piping	AFH6733		1	AFH5533		AFH6733 not available; use AFH5533
24	Cover assembly—bucket seat cushion—L/H—Black with Blue piping	AFH5531		1	AFH6733		AFH5531 not available; use AFH6733
25	Cover assembly—bucket seat cushion—L/H—Black with White piping	AFH5805		1	AFH5531		AFH5805 not available; use AFH5531
26	Insert—seat cushion—L/H—rubber	AFH5805		1			

Coupe



B1433



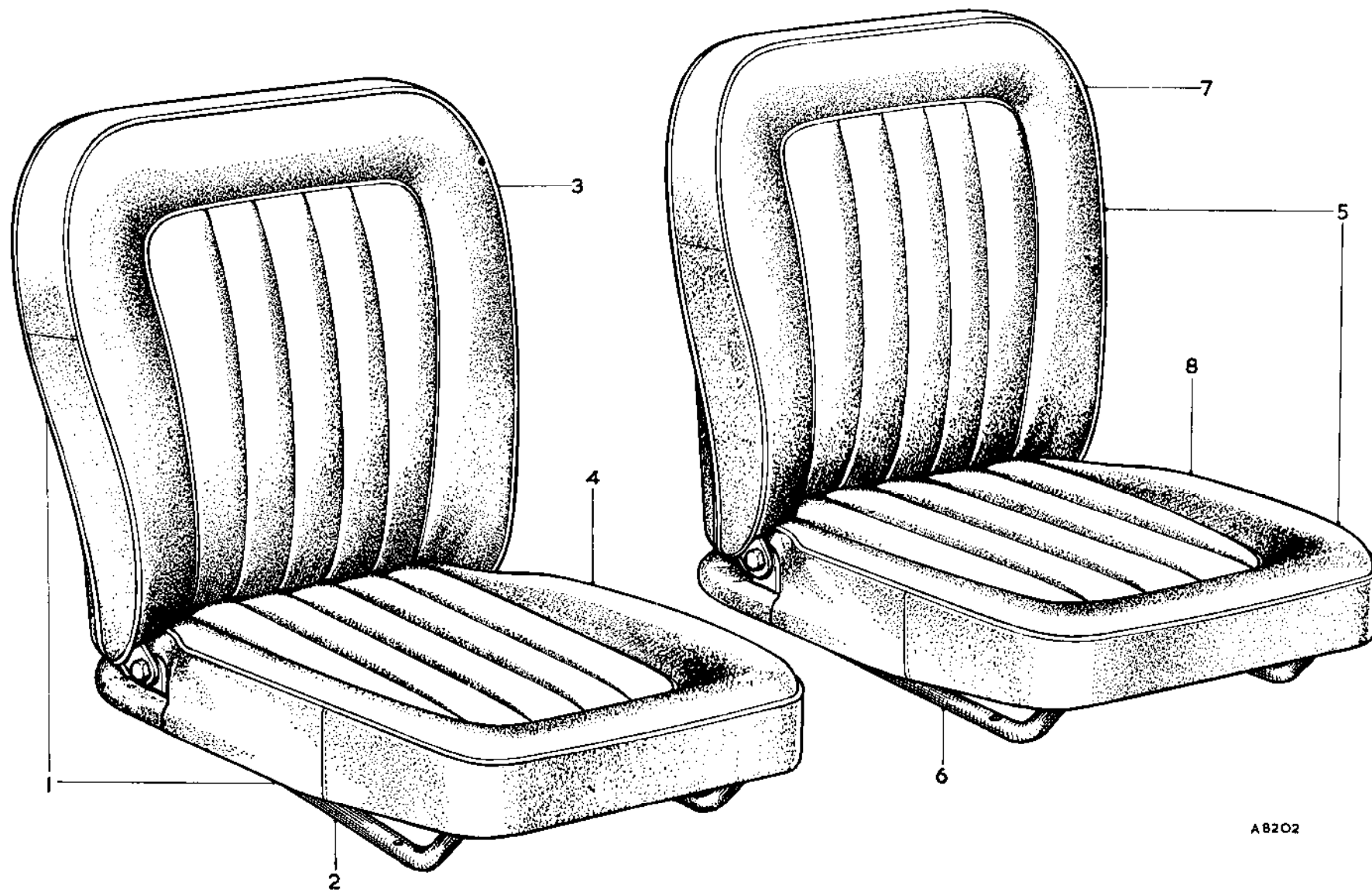
A8202

Item No.	DESCRIPTION	Commencing (C) 68851		Quantity	MODIFICATIONS		REMARKS
		Part Number	Illus. No.		New Part Number	Change Point	
	DE-LUXE SEATS (Optional Extra)						
1	Seat assembly—bucket—R/H—Red with Red piping	AFH5666	1	1			If this seat is requested after car delivery; 1 floorboard (R/H) AHH5748 8 screws CMZ0420 are to be supplied also
2	Seat assembly—bucket—R/H—Beige with Beige piping	AFH6774		1			
3	Seat assembly—bucket—R/H—Black with Red piping	AFH5674		1			
4	Seat assembly—bucket—R/H—Black with Blue piping	AFH6776		1			
5	Seat assembly—bucket—R/H—Black with White piping	AFH5672		1			
6	Frame assembly—bucket seat—R/H	AFH15478	2	1			
7	Squab assembly—bucket seat—R/H—Red with Red piping	AFH15680	3	1			
8	Squab assembly—bucket seat—R/H—Beige with Beige piping	AFH6778		1			
9	Squab assembly—bucket seat—R/H—Black with Red piping	AFH15688		1			
10	Squab assembly—bucket seat—R/H—Black with Blue piping	AFH6780		1			
11	Squab assembly—bucket seat—R/H—Black with White piping	AFH15686		1			
12	Cover assembly—bucket seat squab—R/H—Red with Red piping	AFH15708		1			
13	Cover assembly—bucket seat squab—R/H—Beige with Beige piping	AFH6786		1			
14	Cover assembly—bucket seat squab—R/H—Black with Red piping	AFH15716		1			
15	Cover assembly—bucket seat squab—R/H—Black with Blue piping	AFH16788		1			
16	Cover assembly—bucket seat squab—R/H—Black with White piping	AFH15714		1			
17	Casing assembly—bucket seat back—Red with Red piping	AFH15736		1			
18	Casing assembly—bucket seat back—Beige with Beige piping	AFH16794		1			
19	Casing assembly—bucket seat back—Black with Red piping	AFH15740		1			
20	Casing assembly—bucket seat back—Black with Blue piping	AFH16795		1			
21	Casing assembly—bucket seat back—Black with White piping	AFH15739		1			
22	Cushion assembly—bucket seat—R/H—Red with Red piping	AFH15004	4	1			
23	Cushion assembly—bucket seat—R/H—Beige with Beige piping	AFH16782		1			
24	Cushion assembly—bucket seat—R/H—Black with Red piping	AFH15702		1			
25	Cushion assembly—bucket seat—R/H—Black with Blue piping	AFH16784		1			
26	Cushion assembly—bucket seat—R/H—Black with White piping	AFH15700		1			
27	Cover assembly—bucket seat cushion—R/H—Red with Red piping	AFH15722		1			
28	Cover assembly—bucket seat cushion—R/H—Beige with Beige piping	AFH16790		1			
29	Cover assembly—bucket seat cushion—R/H—Black with Red piping	AFH15730		1			
30	Cover assembly—bucket seat cushion—R/H—Black with Blue piping	AFH16792		1			
31	Cover assembly—bucket seat cushion—R/H—Black with White piping	AFH15728		1			

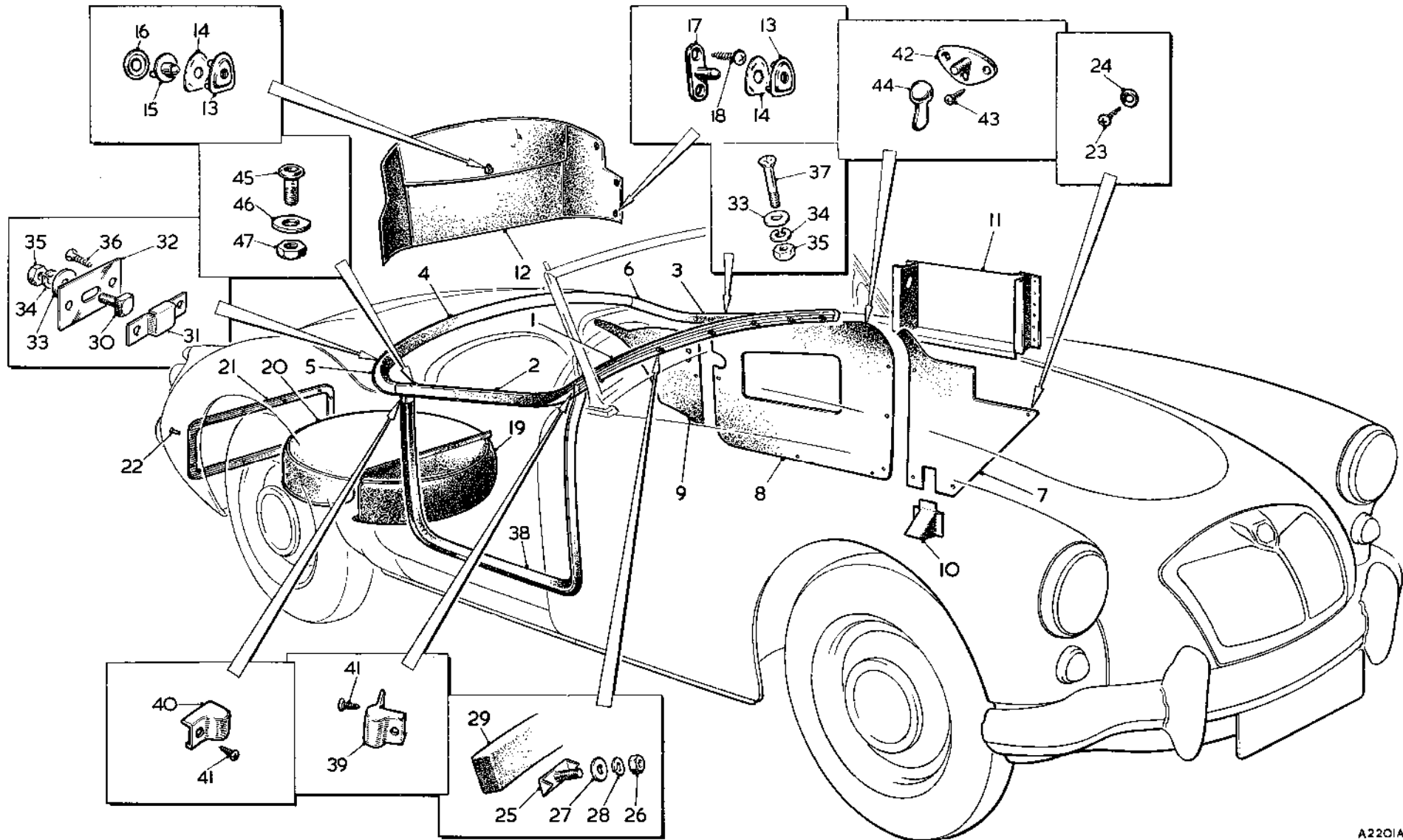
SERVICE PARTS LIST

THE MGA 1600

Item No.	DESCRIPTION	Commencing (C) 68851		Quantity	MODIFICATIONS		REMARKS
		Part Number	Illus. No.		New Part Number	Change Point	
	De-Luxe Seats—continued						
1	Seat assembly—bucket—L/H—Red with Red piping	AFH5667	5	1			If this seat is requested after car delivery: 1 floorboard (L/H) AH5749, 8 screws CMZ0420 are to be supplied also
2	Seat assembly—bucket—L/H—Beige with Beige piping	AFH6775		1			
3	Seat assembly—bucket—L/H—Black with Red piping	AFH5675		1			
4	Seat assembly—bucket—L/H—Black with Blue piping	AFH6777		1			
5	Seat assembly—bucket—L/H—Black with White piping	AFH5673		1			
6	Frame assembly—bucket seat—L/H	AFH5479	6	1			
7	Squab assembly—bucket seat—L/H—Red with Red piping	AFH5681	7	1			
8	Squab assembly—bucket seat—L/H—Beige with Beige piping	AFH6779		1			
9	Squab assembly—bucket seat—L/H—Black with Red piping	AFH5689		1			
10	Squab assembly—bucket seat—L/H—Black with Blue piping	AFH6781		1			
11	Squab assembly—bucket seat—L/H—Black with White piping	AFH5687		1			
12	Cover assembly—bucket seat squab—L/H—Red with Red piping	AFH5709		1			
13	Cover assembly—bucket seat squab—L/H—Beige with Beige piping	AFH6787		1			
14	Cover assembly—bucket seat squab—L/H—Black with Red piping	AFH5717		1			
15	Cover assembly—bucket seat squab—L/H—Black with Blue piping	AFH6789		1			
16	Cover assembly—bucket seat squab—L/H—Black with White piping	AFH5715		1			
17	Casing assembly—bucket seat back—Red with Red piping	AFH5736		1			
18	Casing assembly—bucket seat back—Beige with Beige piping	AFH6794		1			
19	Casing assembly—bucket seat back—Black with Red piping	AFH5740		1			
20	Casing assembly—bucket seat back—Black with Blue piping	AFH5795		1			
21	Casing assembly—bucket seat back—Black with White piping	AFH5739		1			
22	Cushion assembly—bucket seat—L/H—Red with Red piping	AFH5695	8	1			
23	Cushion assembly—bucket seat—L/H—Beige with Beige piping	AFH6783		1			
24	Cushion assembly—bucket seat—L/H—Black with Red piping	AFH5708		1			
25	Cushion assembly—bucket seat—L/H—Black with Blue piping	AFH6785		1			
26	Cushion assembly—bucket seat—L/H—Black with White piping	AFH5701		1			
27	Cover assembly—bucket seat cushion—L/H—Red with Red piping	AFH5723		1			
28	Cover assembly—bucket seat cushion—L/H—Beige with Beige piping	AFH6791		1			
29	Cover assembly—bucket seat cushion—L/H—Black with Red piping	AFH5731		1			
30	Cover assembly—bucket seat cushion—L/H—Black with Blue piping	AFH6793		1			
31	Cover assembly—bucket seat cushion—L/H—Black with White piping	AFH5729		1			



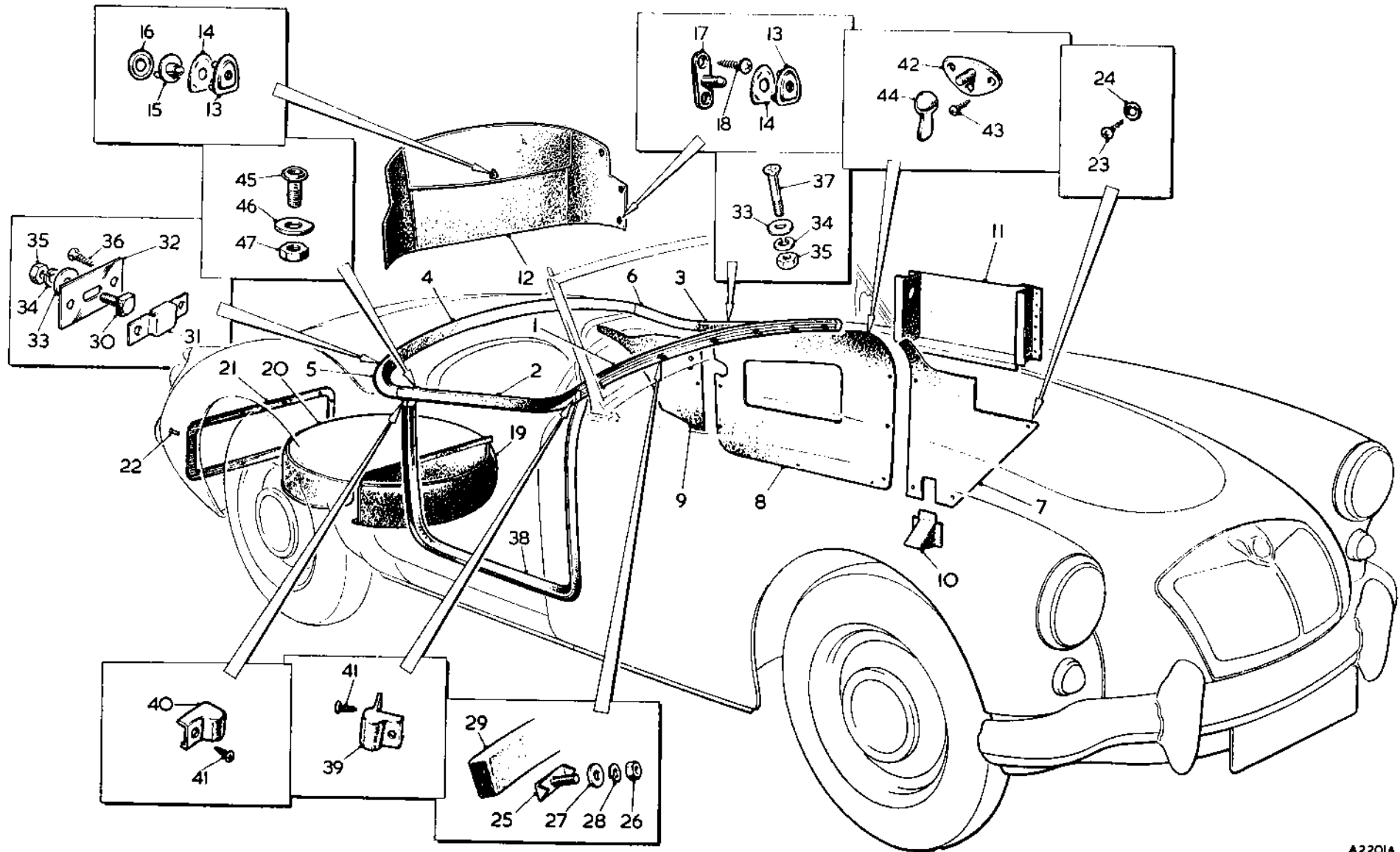
AB202



A2201A

Item No.	DESCRIPTION	Commencing (C) 68851		Quantity	MODIFICATIONS		REMARKS
		Part Number	Illus. No.		New Part Number	Change Point	
	TRIMMING TOURER						
1	Trim roll assembly—dash—Red with Red piping	AFH3740	1	1			
2	Trim roll assembly—dash—Beige with Beige piping	AFH6694		1			
3	Trim roll assembly—dash—Black with Red piping	AFH6470		1			
4	Trim roll assembly—dash—Black with Blue piping	AFH6695		1			
5	Trim roll assembly—dash—Black with White piping	AFH6473		1			
6	Trim roll assembly—dash—Black with Black piping			1	AFH7516	Fin. (C) 101489 Com. (C) 101490	
7	Trim roll assembly—door—R/H—Red with Red piping	AFH3742	2	1			
8	Trim roll assembly—door—R/H—Beige with Beige piping	AFH6702		1			
9	Trim roll assembly—door—R/H—Black with Red piping	AFH6496		1			
10	Trim roll assembly—door—R/H—Black with Blue piping	AFH6704		1			
11	Trim roll assembly—door—R/H—Black with White piping	AFH6502		1			
12	Trim roll assembly—door—L/H—Red with Red piping	AFH3743	3	1			
13	Trim roll assembly—door—L/H—Beige with Beige piping	AFH6703		1			
14	Trim roll assembly—door—L/H—Black with Red piping	AFH6497		1			
15	Trim roll assembly—door—L/H—Black with Blue piping	AFH6705		1			
16	Trim roll assembly—door—L/H—Black with White piping	AFH6503		1			
17	Trim roll assembly—rear—centre—Red with Red piping	AFH3744	1	1			
18	Trim roll assembly—rear—centre—Beige with Beige piping	AFH6696		1			
19	Trim roll assembly—rear—centre—Black with Red piping	AFH6476		1			
20	Trim roll assembly—rear—centre—Black with Blue piping	AFH6697		1			
21	Trim roll assembly—rear—centre—Black with White piping	AFH6470		1			

Item No.	DESCRIPTION	Commencing (C) 68851		Quantity	MODIFICATIONS		REMARKS
		Part Number	Illus. No.		New Part Number	Change Point	
	Trimming—Tourer—continued						
1	Trim roll assembly—rear—end—R/H—Red with Red piping	AFH3744	5	1			
2	Trim roll assembly—rear—end—R/H—Beige with Beige piping	AFH6698		1			
3	Trim roll assembly—rear—end—R/H—Black with Red piping	AFH6484		1			
4	Trim roll assembly—rear—end—R/H—Black with Blue piping	AFH6700		1			
5	Trim roll assembly—rear—end—R/H—Black with White piping	AFH6490		1			
6	Trim roll assembly—rear—end—L/H—Red with Red piping	AFH3745	6	1			
7	Trim roll assembly—rear—end—L/H—Beige with Beige piping	AFH6699		1			
8	Trim roll assembly—rear—end—L/H—Black with Red piping	AFH6485		1			
9	Trim roll assembly—rear—end—L/H—Black with Blue piping	AFH6701		1			
10	Trim roll assembly—rear—end—L/H—Black with White piping	AFH6401		1			
11	Liner assembly—dash—side—R/H—Red	AFH2560		1			
12	Liner assembly—dash—side—R/H—Beige	AFH6706		1			
13	Liner assembly—dash—side—R/H—Black	AFH6508		1			
14	Liner assembly—dash—side—L/H—Red	AFH2561	7	1			
15	Liner assembly—dash—side—L/H—Beige	AFH6707		1			
16	Liner assembly—dash—side—L/H—Black	AFH6509		1			
17	Liner assembly—door—R/H—Red	AFH2562		1			
18	Liner assembly—door—R/H—Beige	AFH6708		1			
19	Liner assembly—door—R/H—Black	AFH6514		1			
20	Liner assembly—door—L/H—Red	AFH2563	8	1			
21	Liner assembly—door—L/H—Beige	AFH6709		1			
22	Liner assembly—door—L/H—Black	AFH6515		1			
23	Liner assembly—rear quarter—R/H—Red	AFH2564		1			
24	Liner assembly—rear quarter—R/H—Beige	AFH6710		1			
25	Liner assembly—rear quarter—R/H—Black	AFH6520		1			
26	Liner assembly—rear quarter—L/H—Red	AFH2565	9	1			
27	Liner assembly—rear quarter—L/H—Beige	AFH6711		1			
28	Liner assembly—rear quarter—L/H—Black	AFH6521		1			



A2201A

SERVICE PARTS LIST

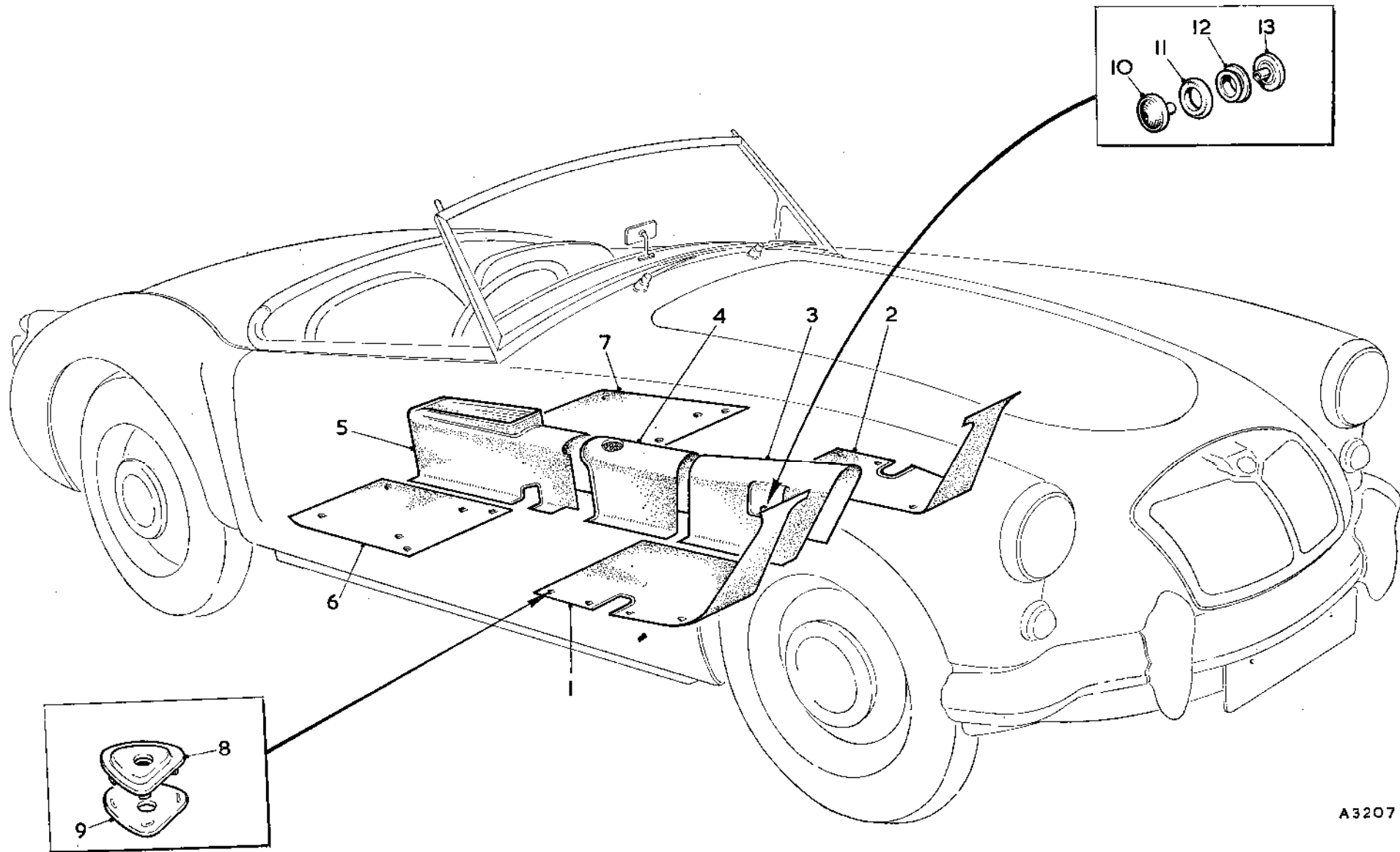
THE MGA 1600

Item No.	DESCRIPTION	Commencing (C) 68851		Quantity	MODIFICATIONS		REMARKS
		Part Number	Illus. No.		New Part Number	Change Point	
	Trimming—Tourer <i>-continued</i>						
1	Cover assembly—dash side mounting—Red	AFH2567	10	2			
2	Cover assembly—dash side mounting—Beige	AFH6714		2			
3	Cover assembly—dash side mounting—Black	AUH5608		2			
4	Pocket assembly—door—R/H—Red	AFH2568		1			
5	Pocket assembly—door—R/H—Beige	AFH6712		1			
6	Pocket assembly—door—R/H—Black	AFH6526		1			
7	Pocket assembly—door—L/H—Red	AFH2569	11	1			
8	Pocket assembly—door—L/H—Beige	AFH6713		1			
9	Pocket assembly—door—L/H—Black	AFH6527		1			
10	Stowage assembly—sidescreen—Red	AFH2570	12	1	AFH6854		AFH2570 not available; use AFH6854
11	Stowage assembly—sidescreen—Beige	AFH6715		1	AFH6855	} Com. (C) 78249	AFH6715 not available; use AFH6855
12	Stowage assembly—sidescreen—Black	AFH5898		1	AFH6856		AFH5898 not available; use AFH6856
13	Fastener—lift the dot	LFS107	13	7			Part No. change; was 71H9061 and 2H5003
14	Plate—clinch	LFS100	14	7			Part No. change; was 71H9063 and 2H5004
15	Clinch—pronged	71H9064	15	1			
16	Plate—pronged clinch	LFP1500	16	1			Part No. change; was 71H9060
17	Stud	LFP116	17	6			Part No. change; was 97H440
18	Screw—stud to body	RTP605	18	12			
19	Cover—spare wheel (front)	AFH2571	19	1			
20	Cover—spare wheel (rear)	AFH2572	20	1			
21	Frame—spare wheel cover	AFH1731	21	1			
22	Rivets—cover frame	AFH5454	22	12			
23	Screw—fixing door liner	RTP407		4			
24	Screw—fixing liner and pocket	RTP404	23	4			
25	Washer—cup—liner and pocket screw	7701	24	8	FWP106		7701 not available; use FWP106
26	Bolt—fixing dash trim roll	AFH1900	25	6			
27	Nut—bolt	FNZ103	26	6			
28	Washer—plain	PWZ203	27	6			
29	Washer—spring	LWZ203	28	6			
30	Trim roll rubber—bouquet surround	AFH1846	29	1			
31	Bolt—trim roll (special)	AFH2819	30	9			
32	Retainer bolt	AFH2820	31	9			
33	Plate—base for retainer	AFH2821	32	9			
34	Washer—plain—trim roll to body	PWZ203	33	15			
35	Washer—spring—trim roll to body	LWZ203	34	15			
36	Nut—trim roll to body	FNZ103	35	15			
37	Screw—fixing retainer to trim roll	CTZ404	36	18			
38	Screw—fixing trim roll	CMZ0920	37	6			
39	Screw—fixing tacking strip to casing	CTZ403		14			
40	Sleeve—sidescreen stowage retaining plate (rubber)			1	AFH6877	Com. (C) 68851	

SERVICE PARTS LIST

THE MGA 1600

Item No.	DESCRIPTION	Commencing (C) 68851		Quantity	MODIFICATIONS		REMARKS
		Part Number	Illus. No.		New Part Number	Change Point	
	Trimming—Tourer—continued						
1	Sealing rubber—door—Red	AFH2451	38	2			Not available; use 37H9950
2	Sealing rubber—door—Black	AFH2455		2			Not available; use 37H9964
3	Sealing rubber—door—Red 63" (160 cm.) long	37H9950	38	A/R] Supplied in multiples on yards
4	Sealing rubber—door—Black 63" (160 cm.) long	37H9964		A/R			
5	Finisher—door seal—hinge pillar—R/L	AFH2574	39	1			
6	Finisher—door seal—hinge pillar—L/H	AFH2575		1			
7	Finisher—door seal—shut pillar—R/H	AFH2576	40	1	AFH7512] Com. (C) 101292	
8	Finisher—door seal—shut pillar—L/H	AFH2577		1	AFH7513		
9	Screw—fixing finisher	PTP605	41	8			PTP605 correction; was PTB605 Part No. change; was MB21959
10	Stud—fixing side curtain	AAA5154	42	2			
11	Screw—stud	RTP805	43	6			
12	Knob—sidescreen locking (knurled)	AFH6620	44	2			
13	Socket—side curtain peg	AFH1744	45	2			
14	Washer—side curtain peg socket (special)	AFH2579	46	2			
15	Nut—peg socket	FNZ208	47	2			



A3207

SERVICE PARTS LIST

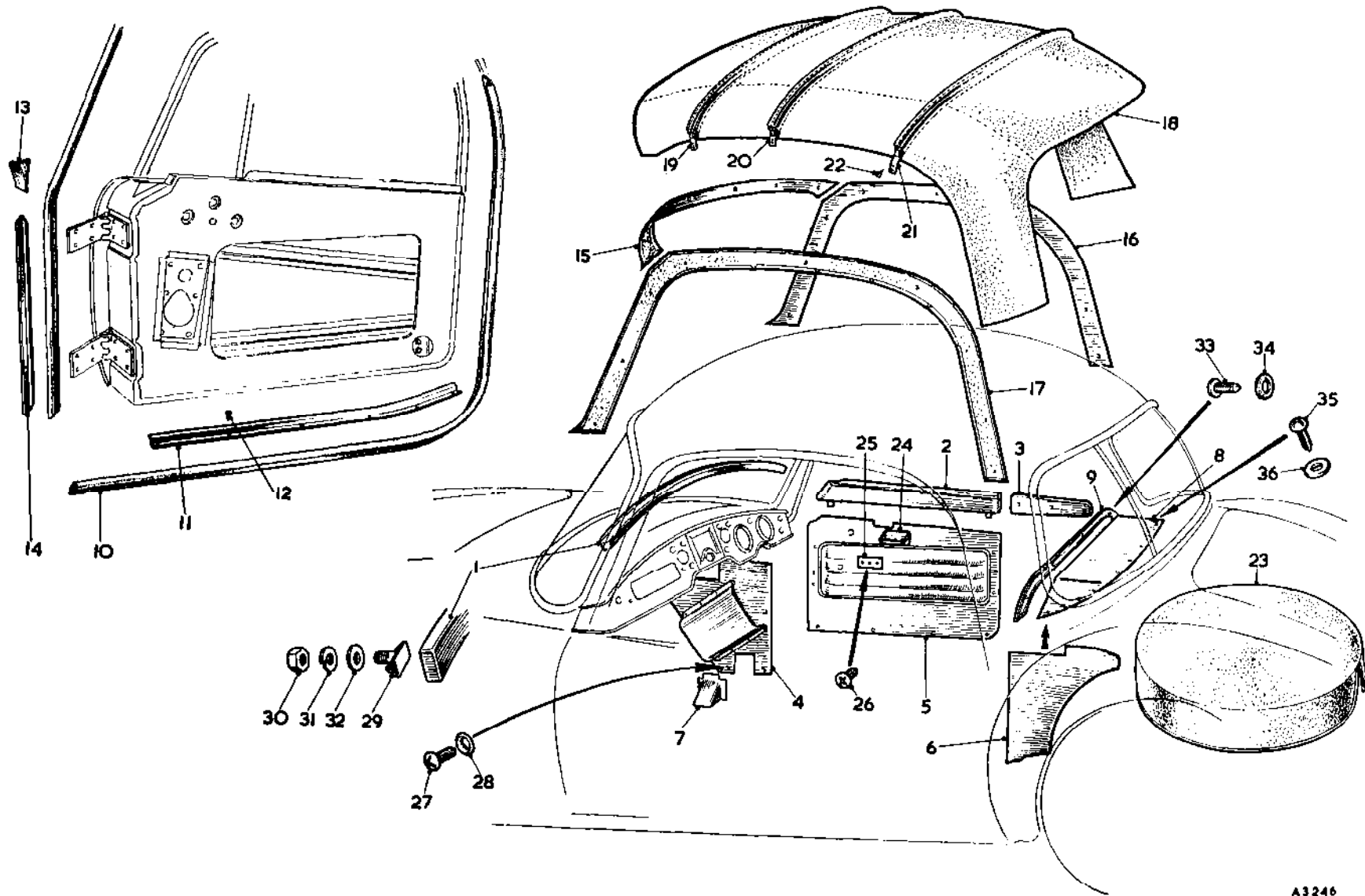
THE MGA 1600

Item No.	DESCRIPTION	Commencing (C) 68851		Quantity	MODIFICATIONS		REMARKS
		Part Number	Illus. No.		New Part Number	Change Point	
	Trimming—Tourer—continued						
1	Carpet assembly—front—R/H—Black	AFH6528	1	1			
2	Carpet assembly—front—L/H—Black	AFH4825	2	1			
3	Carpet assembly front -R/H Black	AFH6530		1			
4	Carpet assembly—front—L/H—Black	AFH4827		1			
5	Carpet assembly—tunnel—(front)—Black	AFH6529	3	1			
6	Carpet assembly—tunnel—(intermediate)—Black	AFH2474	4	1			
7	Carpet assembly—tunnel—(rear)—Black with armrest assembly Red with Red piping	AFH1860	5	1			
8	Carpet assembly- tunnel—(rear)- Black with armrest assembly Beige with Beige piping	AFH6716		1			
9	Carpet assembly—tunnel—(rear) Black with armrest	AFH6546		1			
10	Carpet assembly- tunnel (rear) Black with armrest assembly -Black with Blue piping	AFH6717		1			
11	Carpet assembly- tunnel- (rear) Black with armrest assembly Black with White piping	AFH6549		1			
12	Cover assembly—centre armrest—Red with Red piping	AFH2609		1			
13	Cover assembly centre armrest Beige with Beige piping	AFH6692		1			
14	Cover assembly centre armrest Black with Red piping	AFH6464		1			
15	Cover assembly centre armrest Black with Blue piping	AFH6693		1			
16	Cover assembly centre armrest Black with White piping	AFH6407		1			
17	Carpet—rear—R/H	AFH2460	6	1			
18	Carpet—rear—L/H	AFH2467	7	1			
19	Fastener--lift-the-dot	LFS109	8	16			Part No. change; was 7110962
20	Clinch plate fastener	LFS100	9	16			Part No. change; was 7110963 and 2H5004
21	Durable dot button	7H9864	10	1			
22	Durable dot socket	7H9866	11	1			
23	Durable dot stud	ADB4811	12	1			
24	Durable dot eyelet	7H9868	13	1			Part No. change; was 7110867
25	Leathercloth 50" wide Red	AFH1831		A/R			
26	Leathercloth 50" wide Beige	AFH6662		A/R			
27	Leathercloth 50" wide Black	AFH1834		A/R			
28	Piping—door hinge pillar Red	AFH4771		A/R			
29	Piping door hinge pillar Beige	AFH6671		A/R			
30	Piping door hinge pillar—Black	AFH4774		A/R			
31	Piping—dash trim roll Red	AFH4835		A/R			
32	Piping dash trim roll Beige	AFH6668		A/R			
33	Piping dash trim roll—Blue	AFH6607		A/R			
34	Piping—dash trim roll—Off White	AFH4838		A/R			
35	Carpet material 40" wide Black	ADP539		A/R			
36	Felt 72" wide	AAA743		A/R			Part No. change; was 87988
37	Covering—dash top 48" wide Red			A/R	AFH7506	} Com. (C) 100352	
38	Covering dash top 48" wide Black			A/R	AFH7507		

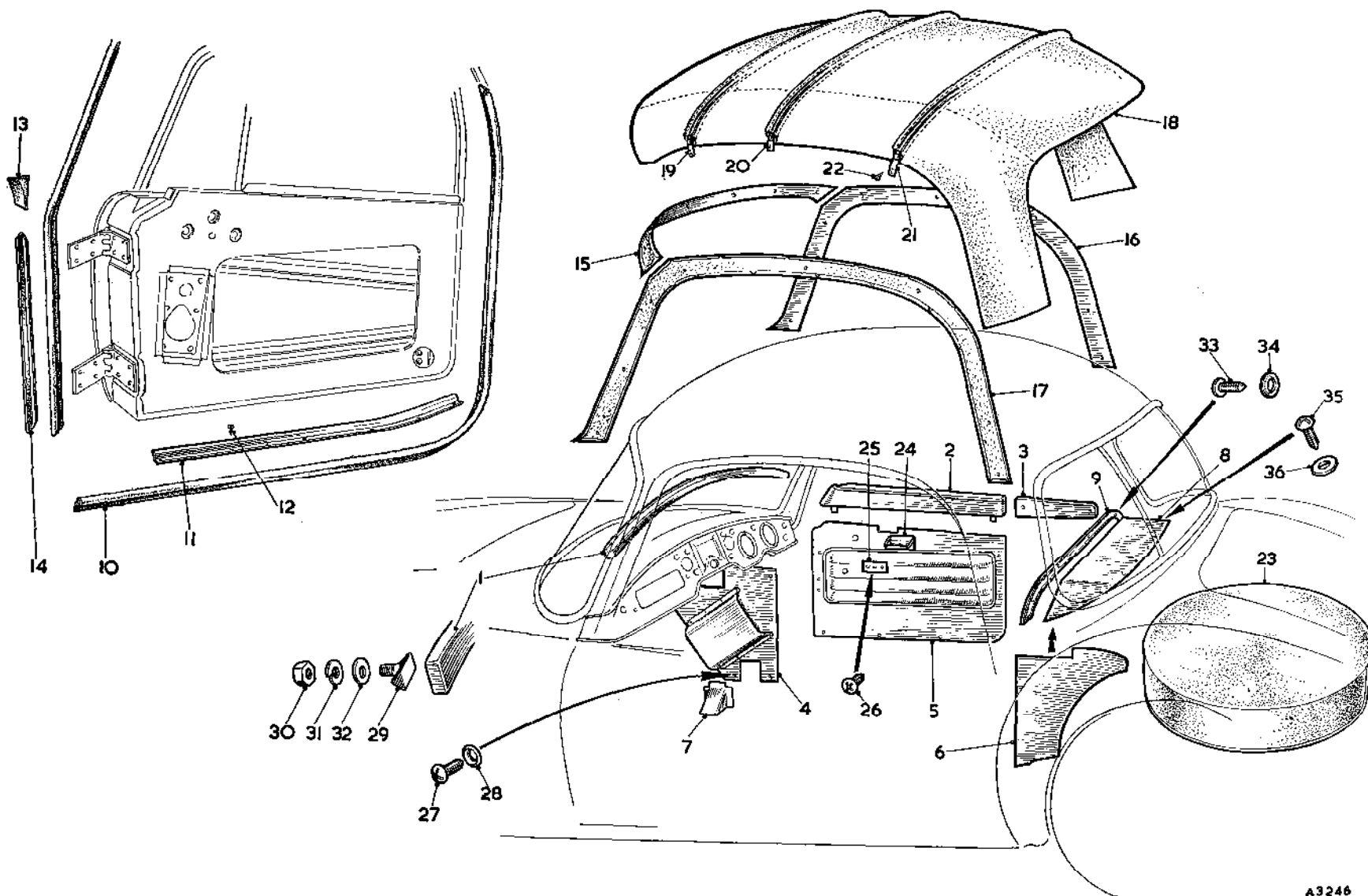
SERVICE PARTS LIST

THE MGA 1600

Item No.	DESCRIPTION	Commencing (C) 88851		Quantity	MODIFICATIONS		REMARKS
		Part Number	Illus. No.		New Part Number	Change Point	
	TRIMMING COUPE						
1	Trim roll assembly—dash—Red with Red piping	AFH4652	1	1			
2	Trim roll assembly—dash—Beige with Beige piping	AFH6740	1	1			
3	Trim roll assembly—dash—Black with Red piping	AFH6741	1	1			
4	Trim roll assembly—dash—Black with Blue piping	AFH6742	1	1			
5	Trim roll assembly—dash—Black with White piping	AFH6743	1	1			
6	Trim roll assembly—dash—Black with Black piping		1	1	AFH7517	Fin. (C) 100595 Com. (C) 100596	
7	Capping assembly—door—R/H—Red	AFH4648	2	1			
8	Capping assembly—door—R/H—Beige	AFH6750	1	1			
9	Capping assembly—door—R/H—Black	AFH5594	1	1			
10	Capping assembly—door—L/H—Red	AFH4640	1	1			
11	Capping assembly—door—L/H—Beige	AFH6751	1	1			
12	Capping assembly—door—L/H—Black	AFH5595	1	1			
13	Capping assembly—rear quarter—R/H	AFH6652	3	1			
14	Capping assembly—rear quarter—L/H	AFH6653	1	1			
15	Liner assembly with map pocket—R/H—Red	AFH4642	4	1			
16	Liner assembly with map pocket—R/H—Beige	AFH6744	1	1			
17	Liner assembly with map pocket—R/H—Black	AFH5566	1	1			
18	Liner assembly with map pocket—L/H—Red	AFH4643	1	1			
19	Liner assembly with map pocket—L/H—Beige	AFH6745	1	1			
20	Liner assembly with map pocket—L/H—Black	AFH5567	1	1			
21	Liner assembly—door—R/H—Red with Red piping	AFH4644	5	1			
22	Liner assembly—door—R/H—Beige with Beige piping	AFH6746	1	1			
23	Liner assembly—door—R/H—Black with Red piping	AFH5574	1	1			
24	Liner assembly—door—R/H—Black with Blue piping	AFH6805	1	1			
25	Liner assembly—door—R/H—Black with White piping	AFH5572	1	1			
26	Liner assembly—door—L/H—Red with Red piping	AFH4645	1	1			
27	Liner assembly—door—L/H—Beige with Beige piping	AFH6747	1	1			
28	Liner assembly—door—L/H—Black with Red piping	AFH5575	1	1			
29	Liner assembly—door—L/H—Black with Blue piping	AFH6806	1	1			
30	Liner assembly—door—L/H—Black with White piping	AFH5573	1	1			
31	Liner assembly—rear quarter—R/H—Red	AFH6826	6	1			
32	Liner assembly—rear quarter—R/H—Beige	AFH6748	1	1			
33	Liner assembly—rear quarter—R/H—Black	AFH6828	1	1			
34	Liner assembly—rear quarter—L/H—Red	AFH6827	1	1			
35	Liner assembly—rear quarter—L/H—Beige	AFH6749	1	1			
36	Liner assembly—rear quarter—L/H—Black	AFH6829	1	1			
37	Cover assembly—dash side mounting—Red	AFH2567	7	2			
38	Cover assembly—dash side mounting—Beige	AFH6752	1	2			
39	Cover assembly—dash side mounting—Black	AFH5608	1	2			
40	Shelf assembly—rear—Red	AFH6764	8	1			
41	Shelf assembly—rear—Beige	AFH6753	1	1			
42	Shelf assembly—rear—Black	AFH6766	1	1			



A3246



A3246

SERVICE PARTS LIST

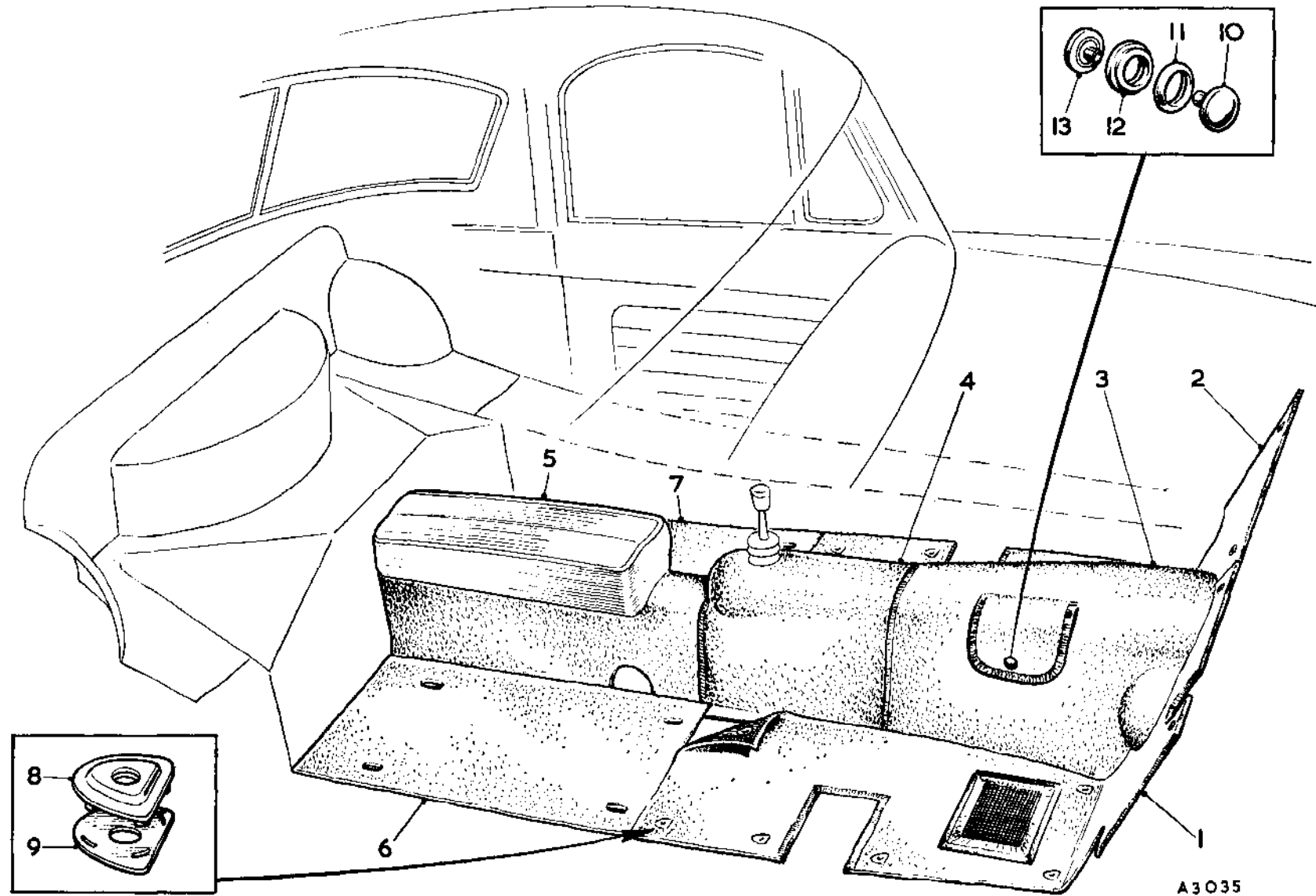
THE MGA 1600

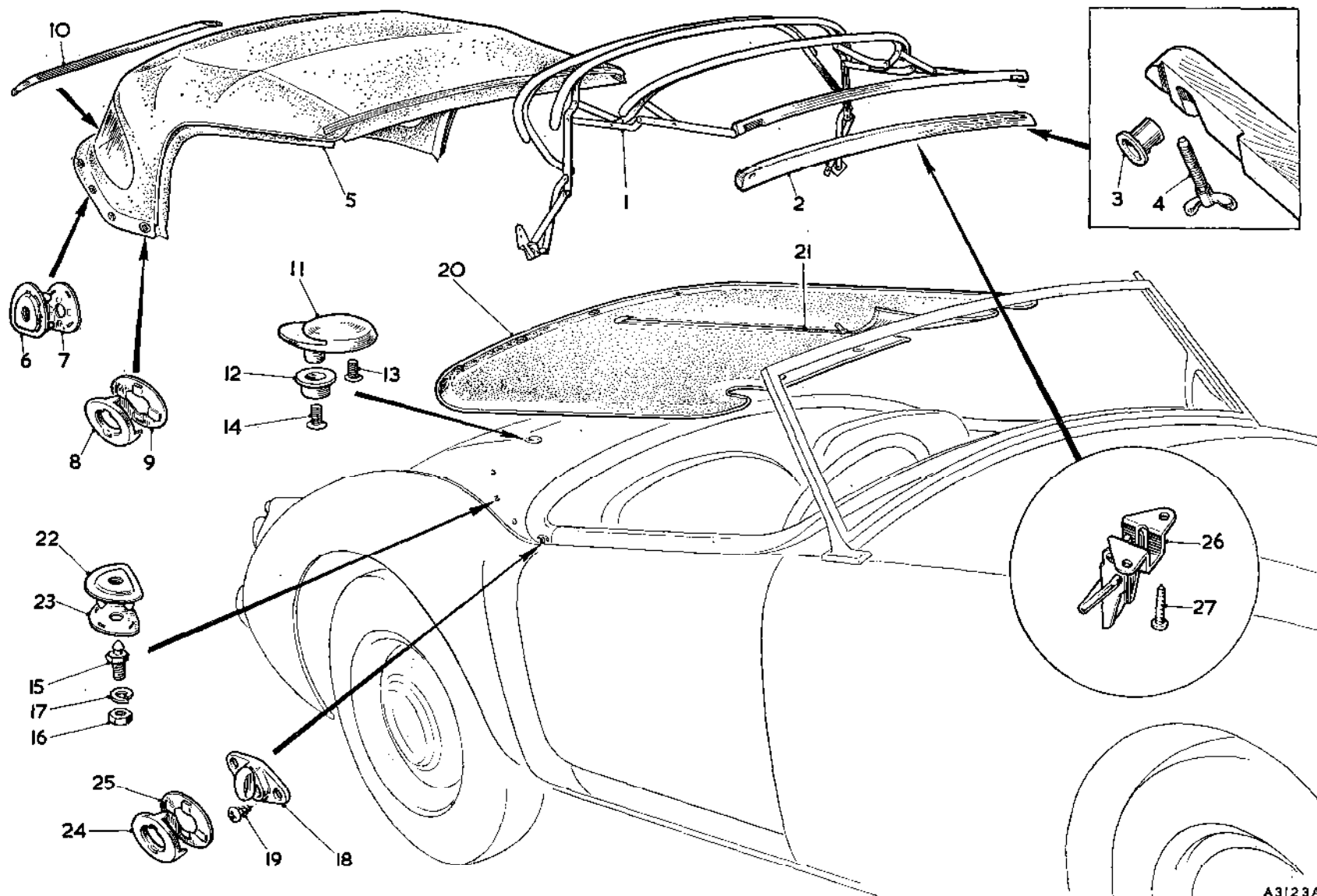
Item No.	DESCRIPTION	Commencing (C) 68851		Quantity	MODIFICATIONS		REMARKS
		Part Number	Illus. No.		New Part Number	Change Point	
	Trimming—Coupé—continued						
1	Fillet assembly—rear shelf—Red	AFH6755	9	1			
2	Fillet assembly—rear shelf—Beige	AFH6754		1			
3	Fillet assembly—rear shelf—Black	AFH6765		1			
4	Sealing rubber—door—Red	AFH4562	10	2			Not available; use 37H9959
5	Sealing rubber—door—Black	AFH4565		2			Not available; use 37H9964
6	Sealing rubber—door—Red 111" (283 cm.) long	37H9959	10	A/R			} Supplied in multiples of yards
7	Sealing rubber—door—black 111" (283 cm.) long	37H9964		A/R			
8	Retainer—door sealing rubber—R/H	AFH2722	11	1			
9	Retainer—door sealing rubber—L/H	AFH2723		1			
10	Screw—retainer to sill	MTZ603	12	12			Part No. change; was AJD8172Z
11	Sealing pad—'A' post—R/H	AFH4822	13	1			
12	Sealing pad—'A' post—L/H	AFH4823		1			
13	Sealing rubber—door hinge pillar	AFH4819	14	2			
14	Fillet assembly—header trim	AFH4653	15	1			
15	Fillet assembly—cant rail—R/H	AFH4654	16	1			
16	Fillet assembly—cant rail—L/H	AFH4655	17	1			
17	Headlining assembly	AFH4657	18	1			
18	Listing rod—headlining—(front)	AFH4485	19	1			
19	Listing rod—headlining—(centre)	AFH4486	20	1			
20	Listing rod—headlining—(rear)	AFH4487	21	1			
21	Screw—listing rod to body	MTZ003	22	8			Part No. change; was AJD8172
22	Cover assembly—spare wheel	AFH0655	23	1			
23	Pull—door	AFH4512	24	2			
24	Plate—fixing—door pull	AFB776	25	2			
25	Screw—fixing plate to door	CTZ603	26	6			
26	Screw—liners to body	RTP504	27	30			
27	Washer for screw	7701	28	30	FWP106		7701 not available; use FWP106
28	Bolt—dash trim roll to body	AFH1900	29				
29	Nut for bolt	FNZ103	30	6			
30	Washer—spring	LWZ203	31	6			
31	Washer—plain	PWZ203	32	6			
32	Screw—rear shelf fillet to body	RTP606	33	6			
33	Washer for screw	7700	34	6	FWP106		7700 not available; use FWP106
34	Screw—rear shelf to body	PTZ604	35	4			
35	Washer—plain	PWZ202	36	4			

SERVICE PARTS LIST

THE MGA 1600

Item No.	DESCRIPTION	Commencing (C) 08851		Quantity	MODIFICATIONS		REMARKS
		Part Number	Illus. No.		New Part Number	Change Point	
	Trimming—Coupe—continued						
1	Carpet assembly—front—R/H R.H.D.	AFH6536	1	1			
2	Carpet assembly—front—R/H L.H.D.	AFH6537		1			
3	Carpet assembly—front—L/H R.H.D.	AFH5755	2	1			
4	Carpet assembly—front—L/H L.H.D.	AFH5757		1			
5	Carpet assembly—tunnel—(front)	AFH6535	3	1			
6	Carpet assembly—tunnel—(intermediate)	AFH5763	4	1			
7	Carpet assembly—tunnel—(rear) with armrest assembly—Red with Red piping	AFH4661	5	1			
8	Carpet assembly—tunnel—(rear)—with armrest assembly—Beige with Beige piping	AFH6758		1			
9	Carpet assembly—tunnel—(rear)—with armrest assembly—Black with Red piping	AFH6553		1			
10	Carpet assembly—tunnel—(rear)—with armrest assembly—Black with Blue piping	AFH6759		1			
11	Carpet assembly—tunnel—(rear)—with armrest assembly—Black with White piping	AFH6552		1			
12	Cover assembly—centre armrest—Red with Red piping	AFH4631		1			
13	Cover assembly—centre armrest—Beige with Beige piping	AFH6738		1			
14	Cover assembly—centre armrest—Black with Red piping	AFH5553		1			
15	Cover assembly—centre armrest—Black with Blue piping	AFH6739		1			
16	Cover assembly—centre armrest—Black with White piping	AFH5552		1			
17	Carpet assembly—rear—R/H	AFH5764	6	1			
18	Carpet assembly—rear—L/H	AFH5765	7	1			
19	Fastener—lift-the-dot	LFS109	8	16			Part No. change; was 7H9962
20	Clinch plate—fastener	LFS100	9	16			Part No. change; was 7H9963 and 2H5004
21	Durable—dot—button	7H9864	10	1			
22	Durable—dot—socket	7H9866	11	1			
23	Durable—dot—stud	ADB4811	12	1			Part No. change; was 7H9867
24	Durable—dot—cyclit	7H9868	13	1			
25	Leathercloth 50" wide—Red	AFH1831		A/R			
26	Leathercloth 50" wide—Beige	AFH6662		A/R			
27	Leathercloth 50" wide—Black	AFH1834		A/R			
28	Leathercloth 50" wide—Off White	AFH4614		A/R			
29	Piping—door hinge pillar—Red	AFH4771		A/R			
30	Piping—door hinge pillar—Beige	AFH6671		A/R			
31	Piping—door hinge pillar—Black	AFH4774		A/R			
32	Piping—dash trim roll—Red	AFH4835		A/R			
33	Piping—dash trim roll—Beige	AFH6668		A/R			
34	Piping—dash trim roll—Blue	AFH6667		A/R			
35	Piping—dash trim roll—Off White	AFH4838		A/R			
36	Carpet material 40" wide—Grey	AFH5785		A/R	5D4200		AFH5785 not available; use 5D4200
37	Felt 72" wide	AAA743		A/R			Part No. change; was 87988
38	Covering—dash top 48" wide—Red			A/R	AFH7506] Com. (C) 100352	
39	Covering—dash top 48" wide—Black			A/R	AFH7507		

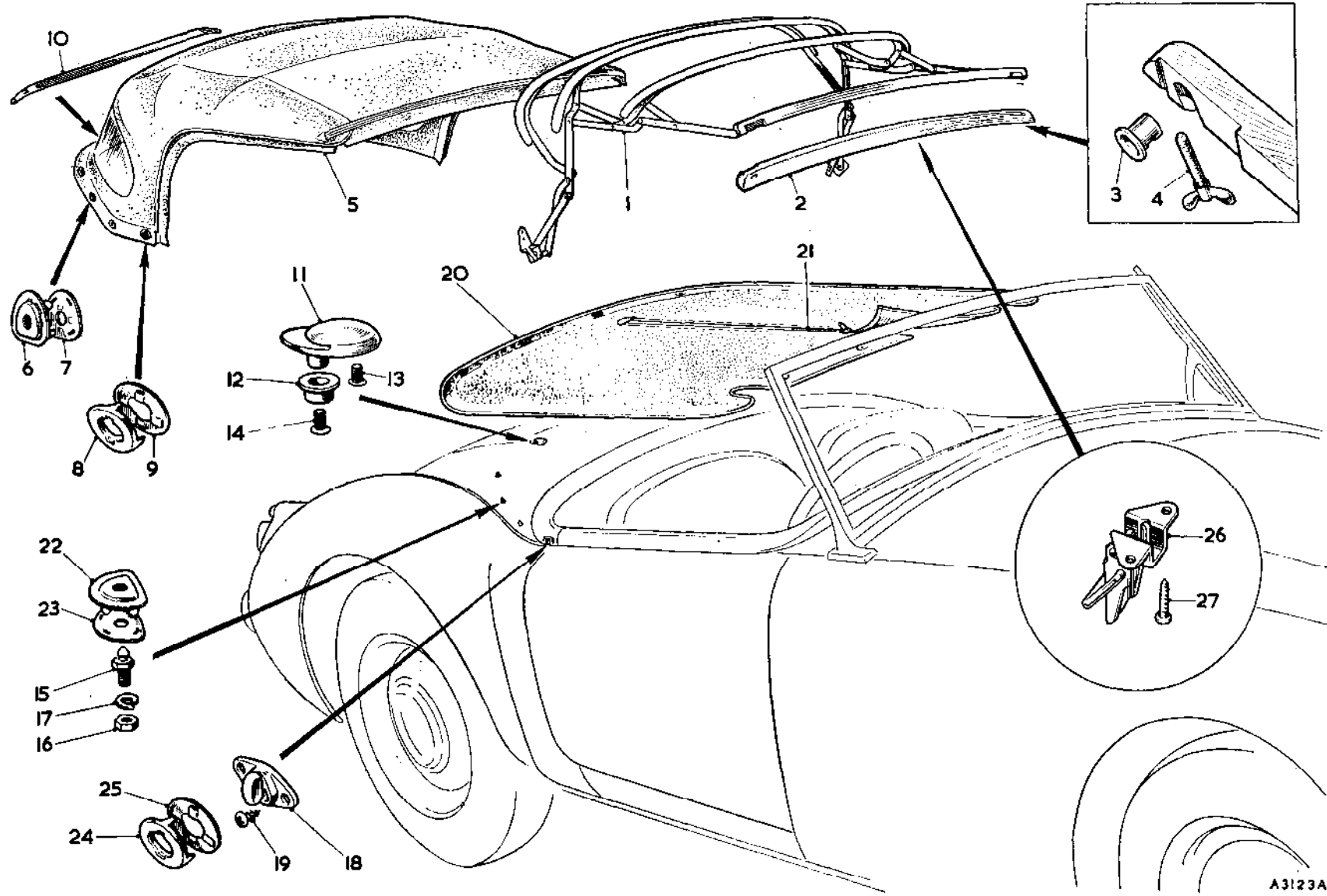




SERVICE PARTS LIST

THE MGA 1600

Item No.	DESCRIPTION	Commencing (C) 68851		Quantity	MODIFICATIONS		REMARKS
		Part Number	Illus. No.		New Part Number	Change Point	
	HOOD AND TONNEAU COVER TOURER						
1	Hood assembly—Grey	AFH6636		1	AFH6848	Com. (C) 78249	AFH6636 not available; use AFH6848
2	Hood assembly—Beige	AFH6796		1	AFH6849		
3	Hood assembly—Blue	AFH6797		1	AFH6850		
4	Frame assembly—hood	AFH6770	1	1	AFH6847		
5	Stick - hood	AFH6771	2	1	AFH6846		
6	Socket - stick	AFH2635	3	2			
7	Wing bolt - hood to screen	AAA5166	4	2			
8	Canopy assembly—Grey	AFH6802	5	1	AFH6851	Com. (C) 78249	Part No. change; was MB22438 AFH6802 not available; use AFH6851
9	Canopy assembly—Beige	AFH6804		1	AFH6852		
10	Canopy assembly—Blue	AFH6803		1	AFH6853		
11	Lift-the-dot fastener	LFS107	6	6			Part No. change; was 7H0061 and 2H5003
12	Lift-the dot clinch plate	LFS100	7	6			Part No. change; was 7H0063 and 2H5004
13	Eyelet -turnbutton fastener	14A6537	8	2			Part No. change; was 97H408
14	Washer -turnbutton fastener	14A6538	9	2			Part No. change; was 97H407
15	Attachment plate—hood to body	AFH2650	10	1			
16	Catch -hood centre	AFH6772	26	1			
17	Screw fixing catch	PTP606	27	2			
18	Plate—hood retaining	14B1730	11	2			Part No. change; was AFH1741
19	Washer— cup— plate	AAA5130	12	2			Part No. change; was MB10050
20	Screw fixing plate	PMZ0304	13	2			
21	Screw fixing plate	PMZ0306	14	2			
22	Peg -rear fixing	17H9510	15	6			
23	Nut—peg	AJD8012Z	16	6			
24	Washer -spring screw	LWZ203	17	6			
25	Turnbutton -single	14A6536	18	2			Part No. change; was 97H406
26	Screw fixing turnbutton	RTP404	19	4			



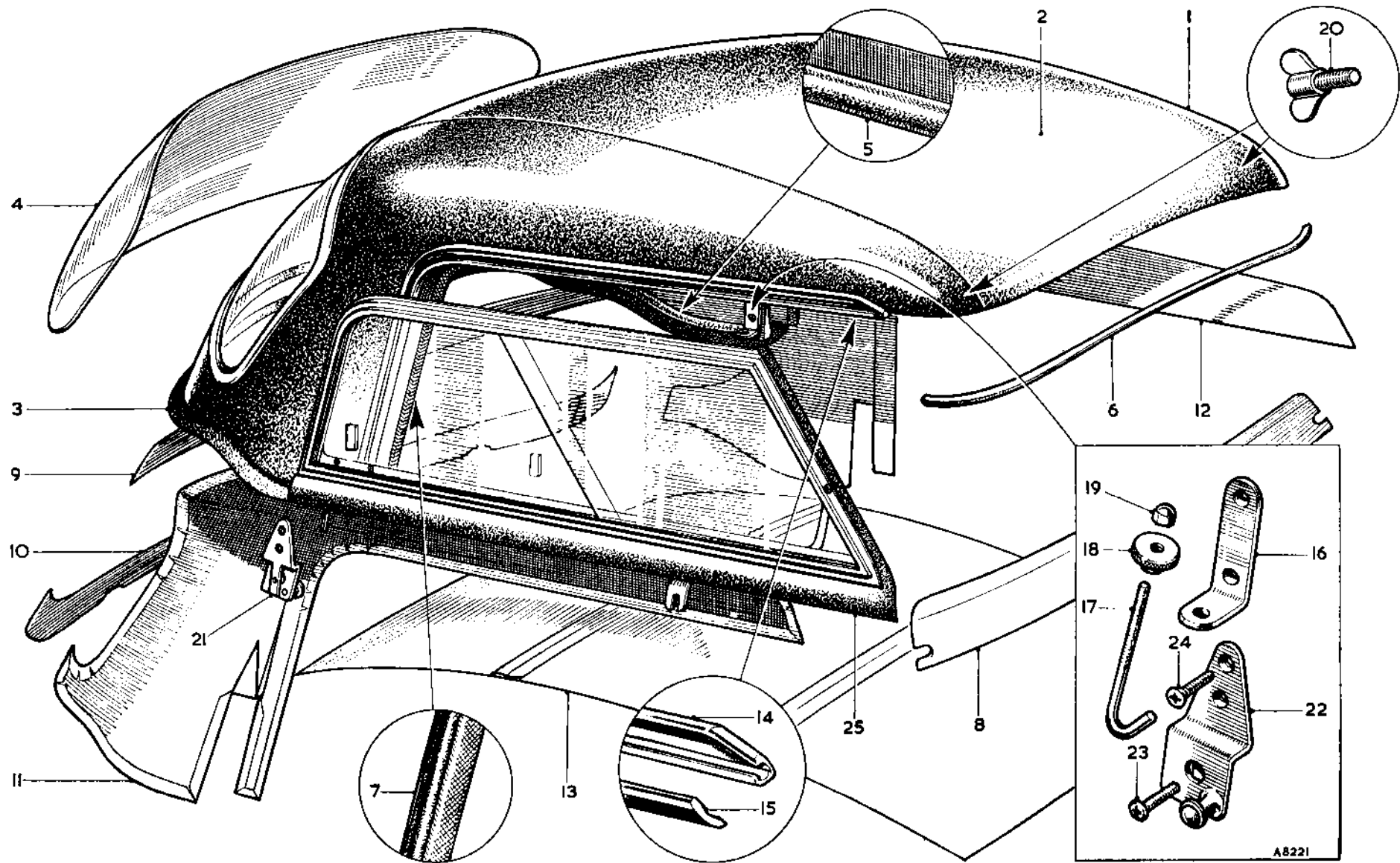
A3123A

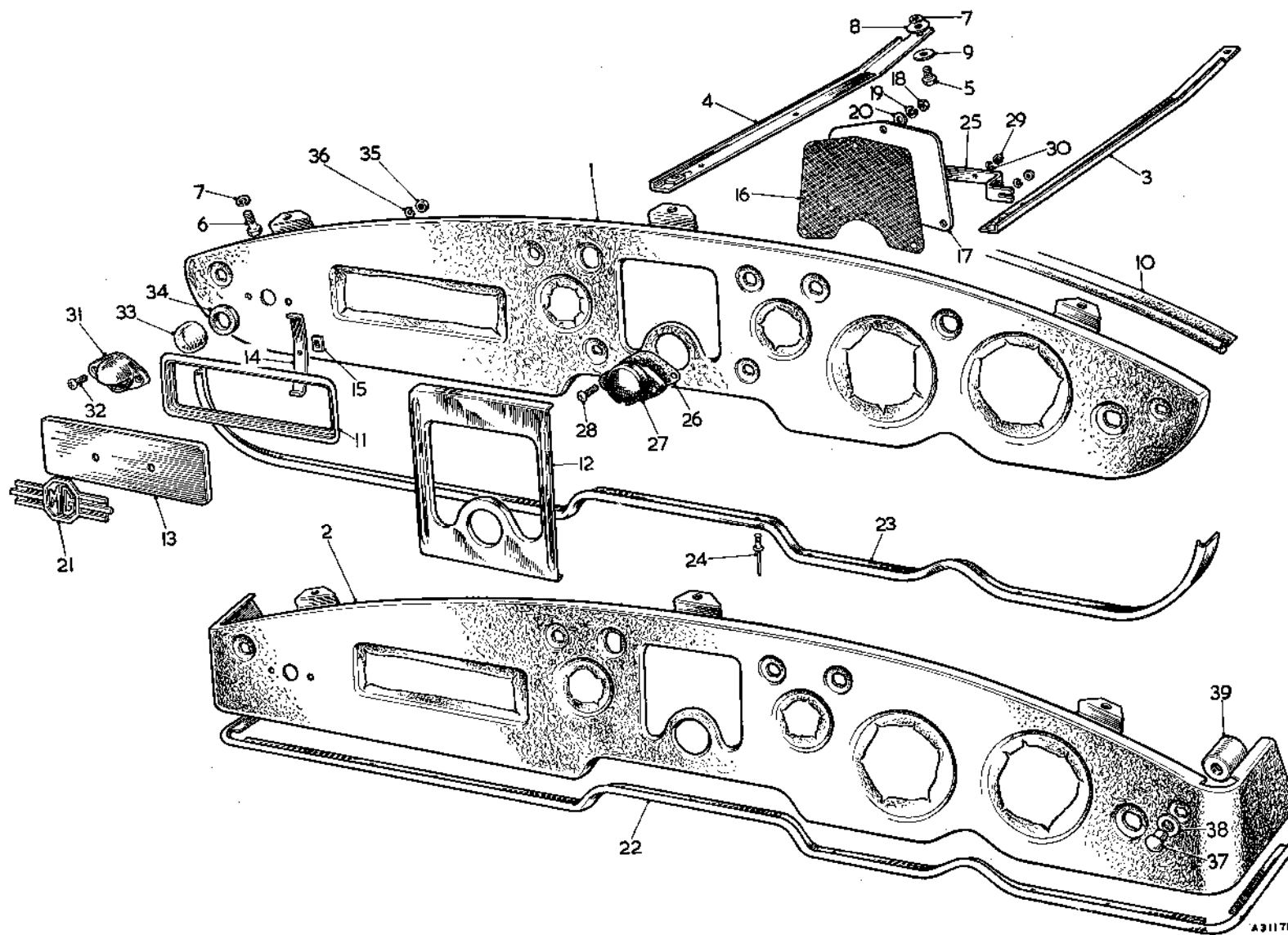
Item No.	DESCRIPTION	Commencing (C) 68851		Quantity	MODIFICATIONS		REMARKS
		Part Number	Illus. No.		New Part Number	Change Point	
	HARD TOP TOURER (Optional extra)						
1	Hard-top assembly—aluminium	AHH5562		1			No longer available. Supply AHH5991
2	Window—(rear)	AHH5660	1	1			
3	Rubber sealing—rear window	AHH5661	2	1			
4	Strut—rear window (inner)	AHH5662	3	2			
5	Rubber—inner strut	AHH5663	4	2			
6	Bracket—side—(main)	AHH5664	5	2			
7	Screw—main bracket to canopy	AJD2446C	6	4			
8	Rubber—side bracket	AHH5665	7	2			
9	Bracket—retaining (rear)	AHH5666	8	2			
10	Screw—bracket to canopy	RM10307	9	4			
11	Screw—rear bracket to inner strut	AJD2248C	10	2			
12	Cap—nut—bracket to inner strut screw	AJJ3125	11	2	6K9777		AJJ3125 not available; use 6K9777
13	Grommet—retaining bracket	AHH5667	12	2			
14	Plate—backing—retaining bracket	AHH5674	13	2			
15	Rubber sealing—(side)	AHH5668	14	2			
16	Rubber sealing—(rear)	AHH5673	15	1			
17	Rubber sealing—canopy	AHH5669	16	1			
18	Screw—thumb—canopy retaining	AAA5166	17	2			Part No. change; was AHH5070 and MB22438
19	Canopy rail end—R/H—(rubber)	AHH5671	18	1			
20	Canopy rail end—L/H—(rubber)	AHH5672		1			
21	Clip assembly—main retaining (side)	AHH5650	19	2			
22	Knob (knurled)	AHH5652	20	1			
23	Nut—cap	AHH5633	21	1			
	SLIDING SIDE-SCREEN						
24	Side-screen assembly—sliding—R/H	AHH5731		1			
25	Side-screen assembly—sliding—L/H	AHH5732		1			
26	Frame—R/H	AHH5733	22	1			
27	Frame—L/H	AHH5734		1			
28	Bracket—front securing—R/H	AHH5735	23	1			
29	Bracket—front securing—L/H	AHH5736		1			
30	Bracket—peg—R/H	AHH5737	24	1			
31	Bracket—peg—L/H	AHH5738		1			
32	Screw fixing front and peg brackets	PM10310	25	12			For use with hard-top assembly AHH5562 only
33	Screen—fixed	AHH5739	26	2			
34	Screen—sliding—R/H	AHH5740	27	1			
35	Screen—sliding—L/H	AHH5741		1			
36	Rubber—sealing—R/H	AHH5808	28	1			
37	Rubber—sealing—L/H	AHH5742		1			
38	Retainer—sealing rubber—R/H	AHH5743	29	1			
39	Retainer—sealing rubber—L/H	AHH5744		1			
40	Felt—glazing—(front)	AHH5745	30	2			
41	Felt—glazing—(upper)	AHH5746	31	2			
42	Felt—glazing—(lower)	AHH5747	32	2			

SERVICE PARTS LIST

THE MGA 1600

Item No.	DESCRIPTION	Commencing (C) 68851		Quantity	MODIFICATIONS		REMARKS
		Part Number	Illus. No.		New Part Number	Change Point	
	HARD TOP TOURER (Optional Extra)						
1	Hard-top assembly—fibre glass		1	1	AHH5991	Com. (C) 68851	
2	Cover—black vynide		2	1	AKH492		
3	Rubber—sealing—body		3	A/R	AKH493		
4	Rear light—perspex		4	1	AKH494		
5	Furflex—Grey—rear light and bottom rear		5	A/R	AKH495		
6	Rubber—sealing—screen		6	A/R	AKH496		
7	Draught excluder—Grey—door		7	A/R	AKH497		
8	Panel—front		8	1	AKH498		
9	Panel—rear upper		9	1	AKH499		
10	Panel—rear lower		10	1	AKH500		
11	Panel—side—R/H		11	1	AKH501		
12	Panel—side—L/H		12	1	AKH505		
13	Headlining—Grey—stitched		13	1	AKH502		
14	Rail—drip—R/H		14	1	AKH503		
15	Rail—drip—L/H			1	AKH506		
16	Plastic filler—Black		15	2	AKH504		
17	Bracket—side		16	2	AHH5664		
18	Clip assembly—side		17	2	AHH5650		
19	Knob—knurled		18	2	AHH5652		AHH5652 correction; was AHH5642
20	Nut—cap		19	2	AHH5653		
21	Screw—front securing		20	2	AAA5166		Part No. change; was AHH5670 and MB22438
22	Bracket—attachment—R/H		21	1	AHH5599		To be used only when folding hood is not fitted
23	Bracket—attachment—L/H		22	1	AHH5600		
24	Screw—bracket to body		23	2	PMZ0416		
25	Screw—bracket to body		24	4	CMZ0416		
	SLIDING SIDE-SCREEN						
26	Side-screen assembly—sliding—R/H		25	1	AHH5084	For use with hard-top assembly AHH5991 only	
27	Side-screen assembly—sliding—L/H			1	AHH5985		
28	Rubber—sealing—R/H			1	AKH511		
29	Rubber—sealing—L/H			1	AKH512		



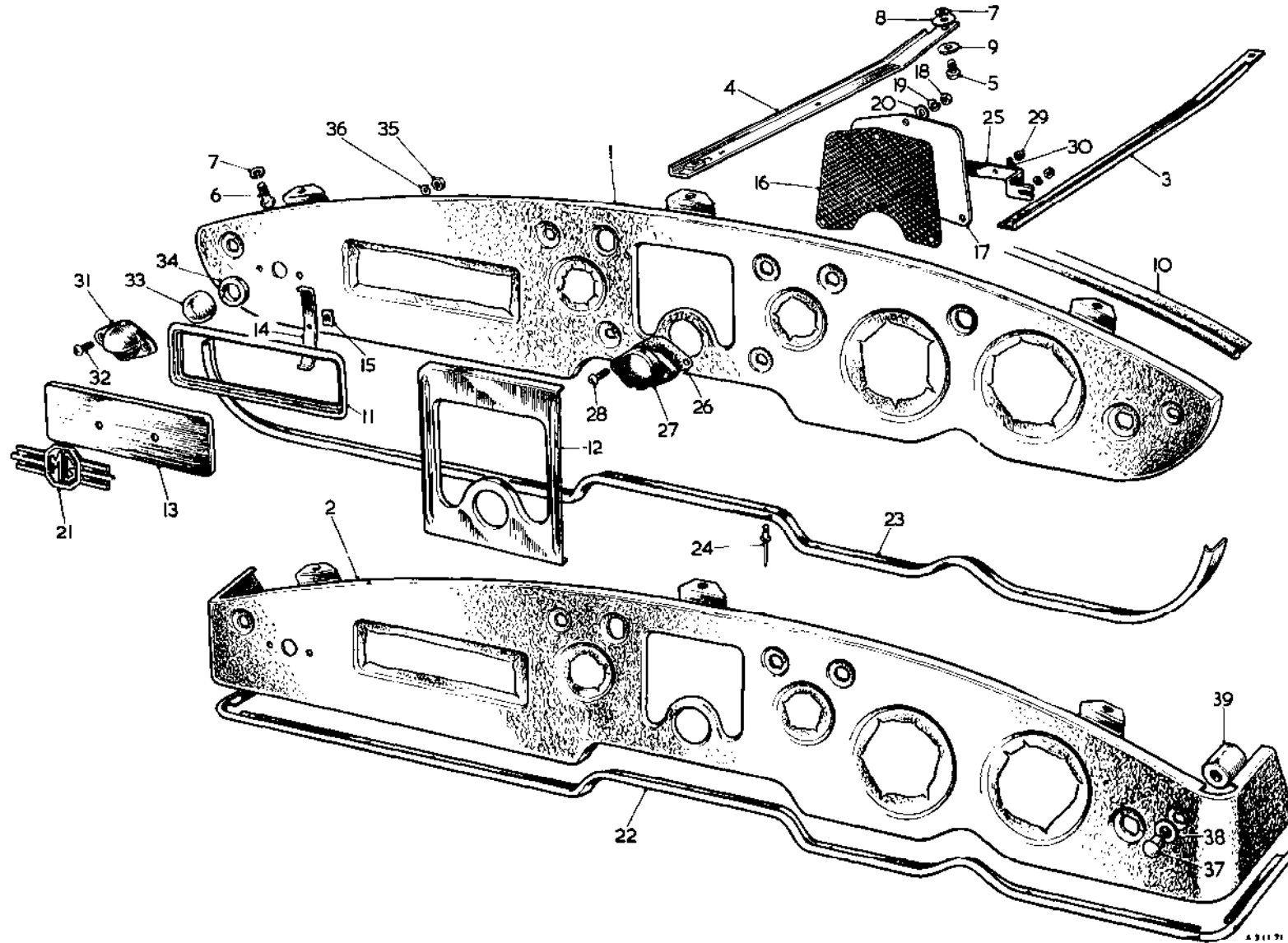


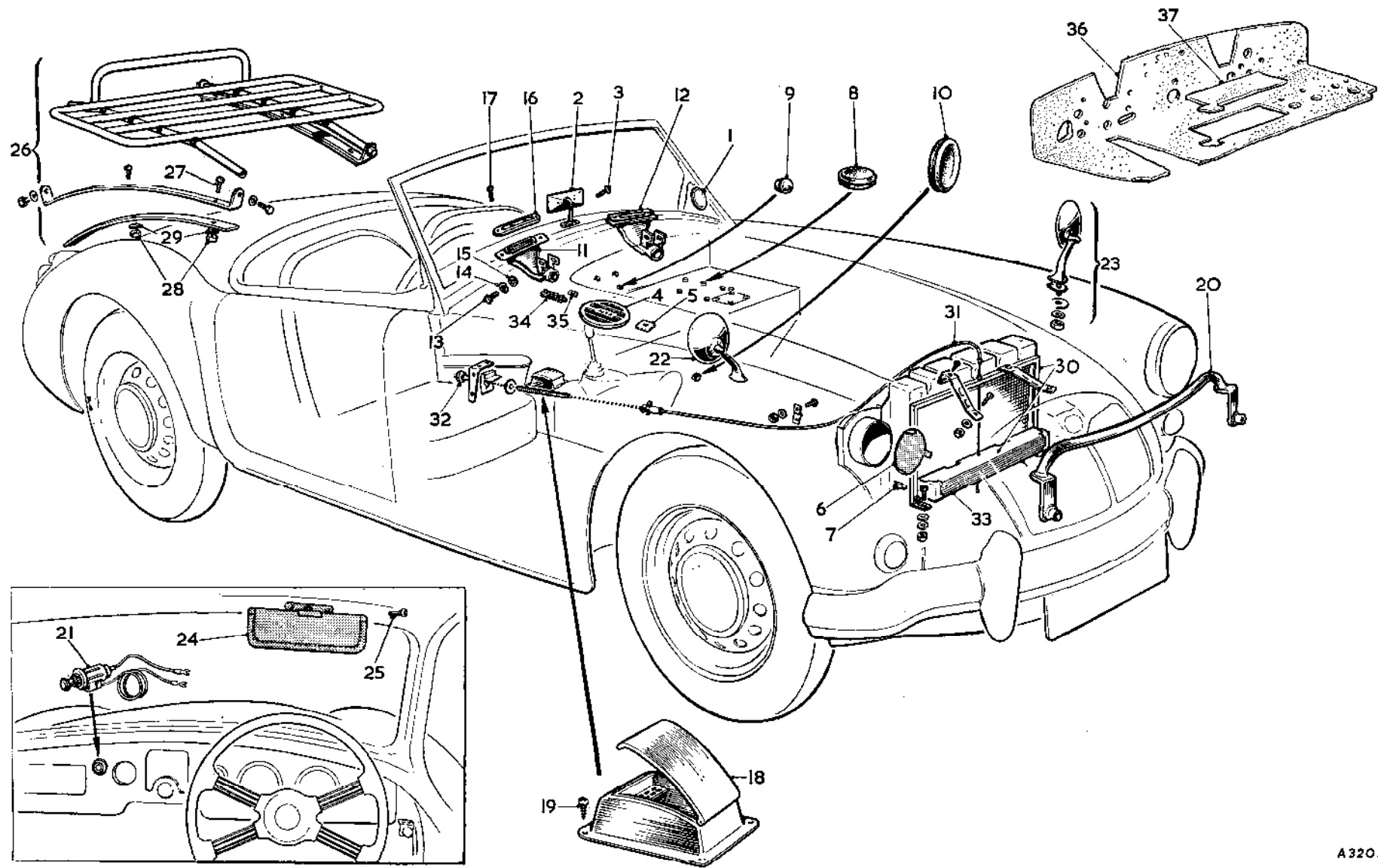
Item No.	DESCRIPTION	Commencing (C) 68851		Quantity	MODIFICATIONS		REMARKS
		Part Number	Illus. No.		New Part Number	Change Point	
FASCIA PANEL							
1	Panel assembly—fascia.....	R.H.D.	ARH57	1] Fin. (C) 100351] Tourer
2	Panel assembly—fascia.....	L.H.D.	ARH58	1			
3	Panel assembly—fascia—Red.....] R.H.D.		1	AFH5822] Com. (C) 100352	
4	Panel assembly—fascia—Beige.....			1	AFH6842		
5	Panel assembly—fascia—Black.....			1	AFH6844		
6	Panel assembly—fascia—Red.....			1	AFH5823		
7	Panel assembly—fascia—Beige.....] L.H.D.		1	AFH6843		
8	Panel assembly—fascia—Black.....			1	AFH6845		
9	Panel assembly—fascia—Red.....] R.H.D.	AFH4658	2	1		
10	Panel assembly—fascia—Beige.....			AFH46756	1	1	
11	Panel assembly—fascia—Black.....			AFH5028	1	1	
12	Panel assembly—fascia—Red.....] L.H.D.	AFH4659	1	1] Coupé
13	Panel assembly—fascia—Beige.....			AFH6757	1	1	
14	Panel assembly—fascia—Black.....			AFH5629	1	1	
15	Support angle assembly—R/II.....			AFH1712	3	2	
16	Support angle assembly—L/II.....		AFH1713	1	2		
17	Screw—support angle.....		PPZ0308	5	8	PMZ0308	
18	Screw—support angle.....		AFH2587	6	3	53K126	PPZ0308 not available; use PMZ0308 AFH2587 not available, use 53K126
19	Washer—spring—screw.....		LWZ203	7	11		
20	Washer—plain—screw.....		PWZ204	8	3		
21	Washer—plain—screw.....		PWZ203	9	8		
22	Piping—fascia panel—Red.....		AFH4841	10	A/R		
23	Piping—fascia panel—Beige.....		AFH6670		A/R		
24	Piping—fascia panel—Blue.....		AFH6669		A/R		
25	Piping—fascia panel—White.....		AFH4844		A/R		
26	Clip—fascia piping.....		ADA833		8		
27	Bezel—radio aperture.....		AHH5255	11	1		
28	Bezel—radio speaker.....		AFH4520	12	1		Com. (C) 100352 (Tourer)
29	Plate—blinking—radio aperture.....		ARH59	13	1		
30	Clip—blinking plate to fascia panel.....		AHH5256	14	2		
31	Nut—clip (spire).....		ADB509	15	2		
32	Grille—radio speaker.....		AHH5254	16	1		
33	Plate—blinking—radio speaker grille.....		AHH5376	17	1		
34	Nut—blinking plate to panel.....		FNZ103	18	3		
35	Washer—spring—nut.....		LWZ203	19	3		
36	Washer—plain—nut.....		PWZ203	20	3		
37	Motif—'M.G.'.....		AHH5258	21	1		
38	Finisher—fascia panel (lower).....	R.H.D.		23	1	AFH5476] Com. (C) 100352
39	Finisher—fascia panel (lower).....	L.H.D.		1	1	AFH5477	
40	Finisher—fascia panel (lower).....	R.H.D.	AFH4488	22	1] Coupé
41	Finisher—fascia panel (lower).....	L.H.D.	AFH4480	1	1		

SERVICE PARTS LIST

THE MGA 1600

Item No.	DESCRIPTION	Commencing (C) 68851		Quantity	MODIFICATIONS		REMARKS
		Part Number	Illus. No.		New Part Number	Change Point	
	Fascia Panel—continued						
1	Rivet—finisher and radio bezel		24	16	AFH5453	Com. (C) 190352	Tourer
2	Rivet—finisher and radio bezel	AFH5453		23			Coupé
3	Bracket—horn—push	AHH5287	25	1			
4	Insulating piece—horn—push	AHH5257	26	1			
5	Horn—push	2H8383	27	1			
6	Screw—push to bracket	PMZ0210	28	2			
7	Nut—screw	CNZ102	29	2			
8	Washer—spring—screw	LWZ202	30	2			
9	Cover assembly—map light	37H5426	31	1			
10	Screw—map light cover to fascia panel	RMP0310	32	2			
11	Glass—map light	17H5301	33	1			
12	Rubber—map light glass	17H5302	34	1			
13	Nut—screw	FNZ103	35	2			
14	Washer—spring—screw	LWZ203	36	2			
15	Window—flasher warning light (Green)	AJG5046	37	1			
16	Bezel—flasher warning light	AAA3763	38	1			Part No. change; was 184166
17	Shade—flasher warning light	AJG5047	39	1			





A3205

Item No.	DESCRIPTION	Commencing (C) 68851		Quantity	MODIFICATIONS		REMARKS
		Part Number	Illus. No.		New Part Number	Change Point	
	SUNDRIES						
1	Licence holder Tourer	180260	1	1	14A3823		180260 not available; use 14A3823
2	Licence holder Coupe	14A3823		1			
3	Mirror—rear view	AHH5198	2	1			
4	Screw—mirror to body	RMP0810	3	2			
5	Ventilator grille—air duct (MGA)	AHH15294	4	2			
6	Push on fix grille	PFS104	5	8			
7	Disc—blanking air tube	AHH15396	6	1			
8	Clip—fixing blanking disc	ADH3800	7	3			
9	Grommet—master cylinders/bulkhead holes	RFR208	8	8			
10	Grommet (1/2" diam.)	RFN204	9	5			Cars less radio
11	Grommet—blanking dip switch hole	KG2541	10	1			
12	Grommet—blanking control box holes	2H8041		2			
13	Grommet—blanking dipper switch holes	2H8041		3			
14	Nozzle—demister—R/H	AFH1748	11	1			
15	Nozzle—demister—L/H	AFH1749	12	1			
16	Screw fixing nozzle	AFH12587	13	4	53K126		AFH12587 not available; use 53K126
17	Washer—spring screw	LWZ203	14	4			
18	Washer—plain screw	PWZ203	15	4			
19	Finisher—demister nozzle	AAA3496	16	2			Part No. change; was 182143
20	Screw—finisher	RTP804	17	4			
21	Ashtray (chrome and black enamel)	AHH15539	18	1			
22	Screw fixing ashtray	PTT604	19	4			
23	Bar assembly—badge	AHH15565	20	1			
24	Lighter—cigar	AHH15759	21	1	AHH17010		AHH15759 not available; use AHH17010
25	Mirror assembly—wing—R/H	AHH5526	22	1			
26	Mirror assembly—wing—L/H	AHH5527	23	1			Not available; use component parts
27	Mirror head	57H5435		1			
28	Bracket assembly—R/H	57H5443		1			
29	Bracket assembly—L/H	57H5436		1			
30	Nut—mirror fixing	57H5437		1	FNZ105		57H5437 not available; use FNZ105
31	Washer—shakeproof	LWN405		1			Part No. change; was 57H5438
32	Washer—plain	57H5430		1			
33	Pad—rubber base	57H5440		1			
34	Mirror assembly—wing	BHA4000		2			
35	Mirror head assembly—chrome	14A8196		1			
36	Nut—dome—chrome	14A8226		1			
37	Stem assembly—chrome	37H9915		1			
38	Washer—rubber	37H9917		1	14A8225		37H9917 not available; use 14A8225
39	Washer—steel	PWZ205		1			
40	Bolt	HZS0506		1			

Optional extra

SERVICE PARTS LIST

THE MGA 1600

Item No.	DESCRIPTION	Commencing (C) 68851		Quantity	MODIFICATIONS		REMARKS
		Part Number	Illus. No.		New Part Number	Change Point	
	Sundries—continued						
1	Mirror assembly (boomerang type)	27H9863		2			Europe
2	Mirror—head assembly	37H9947		2			
3	Spring	17H8148		1			
4	Glass	17H8146		1			
5	Ring—glass retaining	17H8147		1			
6	Nut—dome	37H9967		2			
7	Washer	37H9968		2			
8	Collar—move	47H9510		2			
9	Arm assembly	37H9946		2			
10	Ferrule (rubber)	37H9974		2			
11	Nut	37H9970		2			
12	Washer (rubber)	37H9971		2			
13	Washer—shakeproof	37H9972		2			
14	Washer—plain	37H9973		2			
15	Visor—sun	AHH5710	24	2	AHE5000	Com. (C) 81582	
		Coupe					
16	Screw—fixing sun visor	RTP806	25	4			Optional extra
17	Carrier—luggage with fittings	AHH5495	26	1			
18	Screw—luggage carrier to boot lid	PMP0514	27	6			
19	Nut—screw	LNZ204	28	6			
20	Washer—plain—screw	PWZ105	29	6			
21	Blind assembly—radiator	A11H5536	30	1			
22	Cable—blind to chain	7H9832	31	1			
23	Ball chain with knob	7H9833	32	1			
24	Roller and blind	7H9834	33	1			
25	Motif '1600'—bonnet	AHH5914	34	2		Fin. (C) 100351	
26	Motif '1600 Mk. II'—bonnet			2	A1H6083	Com. (C) 100352	
27	Push on fix—motif	B1A4082	35	1			
28	Rim—safety—rear view mirror			1	AHH5982	Com. (C) 79663	
29	Pad—sound deadener—bulkhead (foam rubber)	AHH5596	36	1			Coupe
30	Pad—sound deadener—bulkhead (foam rubber)	A1H5597		1			
31	Pad—heater cover plate (foam rubber)	AHH5598	37	1			
32	Plug—sealing—trunk floor			6	CFP375	Com. (C) 102737	
33	Button—blanking—ignition switch hole	BHA4251		1			For use when steering lock is fitted
34	Button—blanking—starter pull hole	BHA4255		1			
35	Grommet—blanking—starter control hole	RFR209		1			

