

To face page M.1

SERVICE PARTS LIST

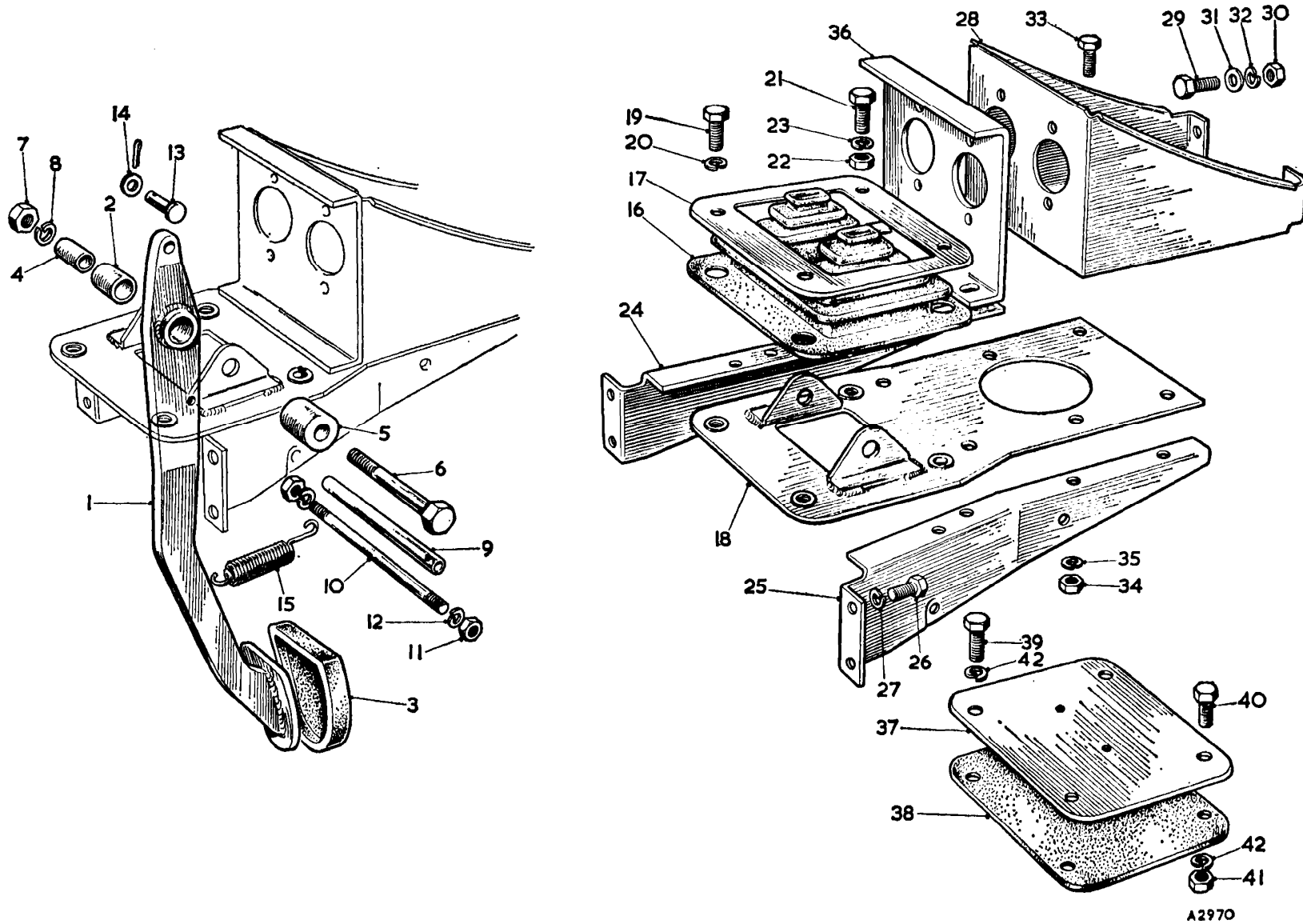
THE MGA 1600

Item No.	DESCRIPTION	Commencing (C) 68851		Quantity	MODIFICATIONS		REMARKS
		Part Number	Illus. No.		New Part Number	Change Point	
	BRAKE CONTROLS						
	STANDARD MODEL						
1	Pedal—brake	AHH5046	1	1			
2	Bush	AAA4120	2	1			
3	Pad—pedal (rubber)	AHH5100	3	1			Part No. change; was 185794
4	Spring—pull-off—pedal	AAA1628		1			
5	Pin—clevis—brake pedal	CLZ0512		1			Part No. change; was 130154
6	Washer—plain—pin	PWZ105		1			
7	Distance piece—pedal	AAA4130	4	2			
8	Distance washer—pedal	AAA4133	5	1			Part No. change; was 185795
9	Bolt—pedal bracket	HBZ0622	6	1			Part No. change; was 185798
10	Nut—bolt	FNZ106	7	1			
11	Washer—spring—nut	LWZ206	8	1			
12	Distance tube—pedal stop	AHH5092	9	1			
13	Bolt—distance tube	HBZ0436	10	1			
14	Nut—bolt	FNZ104	11	1			
15	Washer—spring—nut	LWZ204	12	1			
16	Excluder—fume—pedal	AHH5101	13	1			
17	Blanking piece (rubber)	AHH5103	14	1			
18	Cover—blanking piece	AHH5102	15	2			
19	Screw—fixing cover	HZS0506	16	2			
20	Screw—fixing cover	HZS0508	17	2			
21	Nut—screw	FNZ105	18	2			
22	Washer—plain—nut	PWZ205	19	4			
23	Washer—spring—nut	LWZ205	20	4			
24	Box—master cylinder	AHH5047	21	1			
25	Screw—box to bulkhead	HZS0505	22	4			
26	Nut—screw	FNZ105	23	4			
27	Washer—plain—nut	PWZ205	24	4			
28	Washer—spring—nut	LWZ205	25	4			
29	Screw—box to bracket (front)	HZS0507	26	2			
30	Screw—box to bracket (rear)	HZS0506	27	2			
31	Washer—plain—front screw	PWZ205	28	2			
32	Washer—spring—screw	LWZ205	29	4			
33	Nut—screw	FNZ105	30	4			
34	Plate assembly—box base	AHH5080	31	1			
35	Screw—base plate to cross-bar	HZS0508	32	2			
36	Washer—spring—screw	LWZ205	33	2			
37	Bracket—support—R/H	AHH5084	34	1			
38	Bracket—support—L/H	AHH5085	35	1			
39	Screw—bracket to tapping plate	HZS0506	36	4			
40	Screw—bracket to base plate	HZS0506	37	2			
41	Nut—screw	FNZ105	38	2			
42	Washer—spring—screw	LWZ205	39	6			

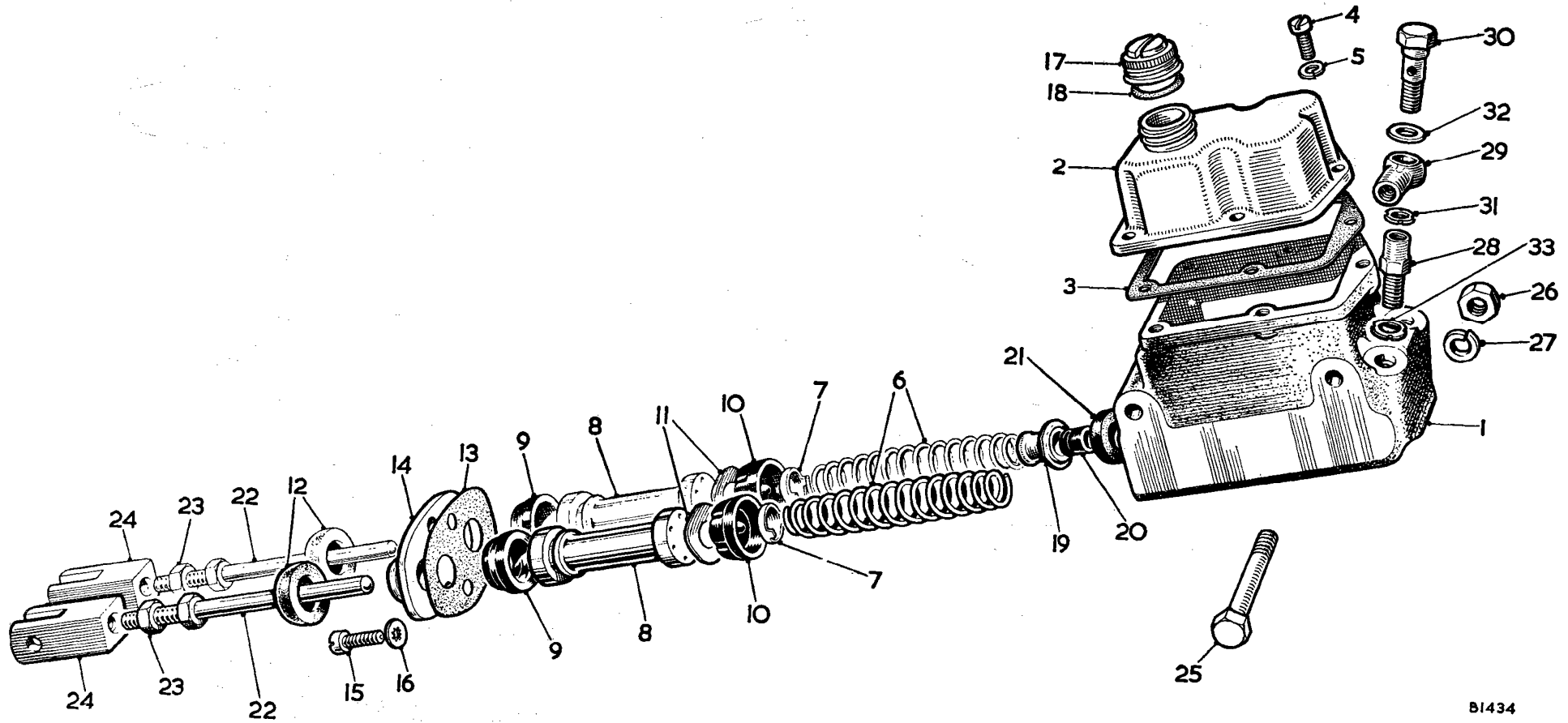
SERVICE PARTS LIST

THE MGA 1600

Item No.	DESCRIPTION	Commencing (C) 68851		Quantity	MODIFICATIONS		REMARKS
		Part Number	Illus. No.		New Part Number	Change Point	
	Brake Controls—continued						
	ALL ROUND DISC BRAKES MODEL						
1	Pedal—brake		R.H.D.	1	1	AHH5693	
2	Pedal—brake		L.H.D.	1	1	AHH5695	
3	Bush			2	1	AAA4129	Part No. change; was 185794
4	Pad—pedal (rubber)			3	1	AHH5100	
5	Distance piece—pedal			4	2	AAA4130	Part No. change; was 185795
6	Distance washer—pedal			5	1	AHH5728	
7	Bolt—pedal to bracket			6	1	HBZ0628	
8	Nut—bolt			7	1	FNZ106	
9	Washer—spring—nut			8	1	LWZ206	
10	Distance tube—pedal stop			9	1	AHH5692	
11	Rod—distance tube			10	1	AHH5752	
12	Nut—rod			11	2	FNZ104	
13	Washer—spring—nut			12	2	LWZ204	
14	Pin—clevis—brake pedal			13	1	CLZ0515	
15	Washer—plain—pin			14	1	PWZ105	
16	Spring—pull off—pedal			15	1	AAA1628	Part No. change; was 130154
17	Excluder—fume—pedal			16	1	AHH5689	
18	Cover plate—fume excluder			17	1	AHH5688	
19	Base plate assembly—box			18	1	AHH5687	
20	Screw—fume excluder, cover plate and base plate to cross bar			21	2	HZS0506	
21	Nut—screw			22	2	FNZ105	
22	Washer—spring—screw			23	2	LWZ205	
23	Screw—fume excluder, cover plate and base plate to cross bar			19	2	HPZ0508	Com. (C) 91240
24	Washer—spring—screw			20	2	LWZ205	
25	Bracket—support—R/H			24	1	AHH5691	
26	Bracket—support—L/H			25	1	AHH5690	
27	Screw—bracket to tapping plate			26	4	HZS0505	
28	Washer—spring—screw			27	4	LWZ205	
29	Box—master cylinder			28	1	AHH5877	
30	Screw—box to bulkhead			29	2	HZS0506	
31	Nut—screw			30	2	FNZ105	
32	Washer—plain—nut			31	2	PWZ205	
33	Washer—spring—nut			32	2	LWZ205	
34	Screw—box to bracket			33	6	HZS0506	
35	Nut—screw			34	6	FNZ105	
36	Washer—spring—nut			35	6	LWZ205	
37	Reinforcement piece—box			36	1	AHH5876	
38	Plate—blanking			37	1	AHH5753	
39	Seal—blanking plate (rubber)			38	1	AHH5754	
40	Screw fixing blanking plate			39	2	HPZ0508	
41	Screw fixing blanking plate			40	2	HZS0506	
42	Nut—screw			41	2	FNZ105	
43	Washer—spring—screw			42	4	LWZ205	



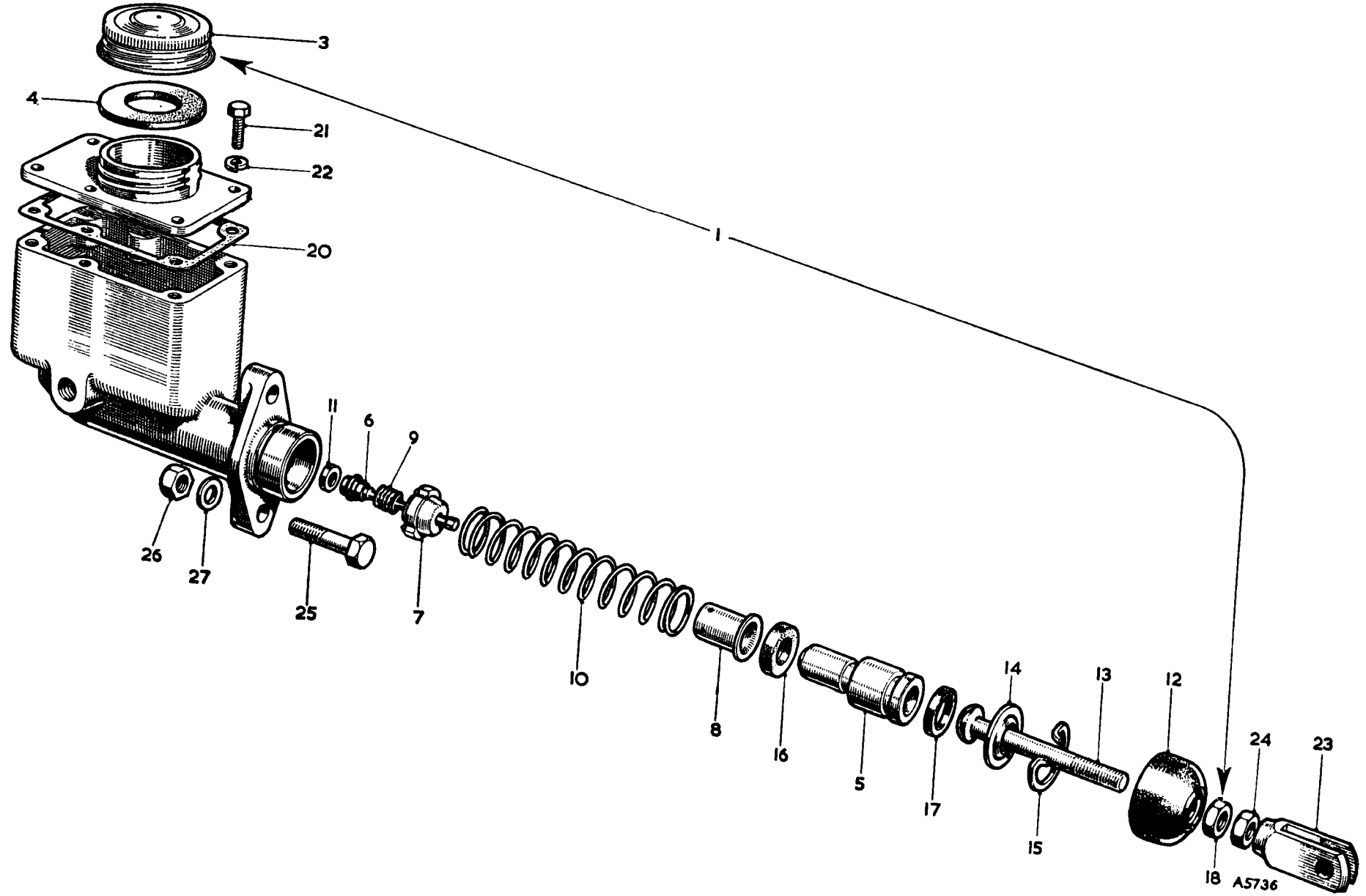
A2970

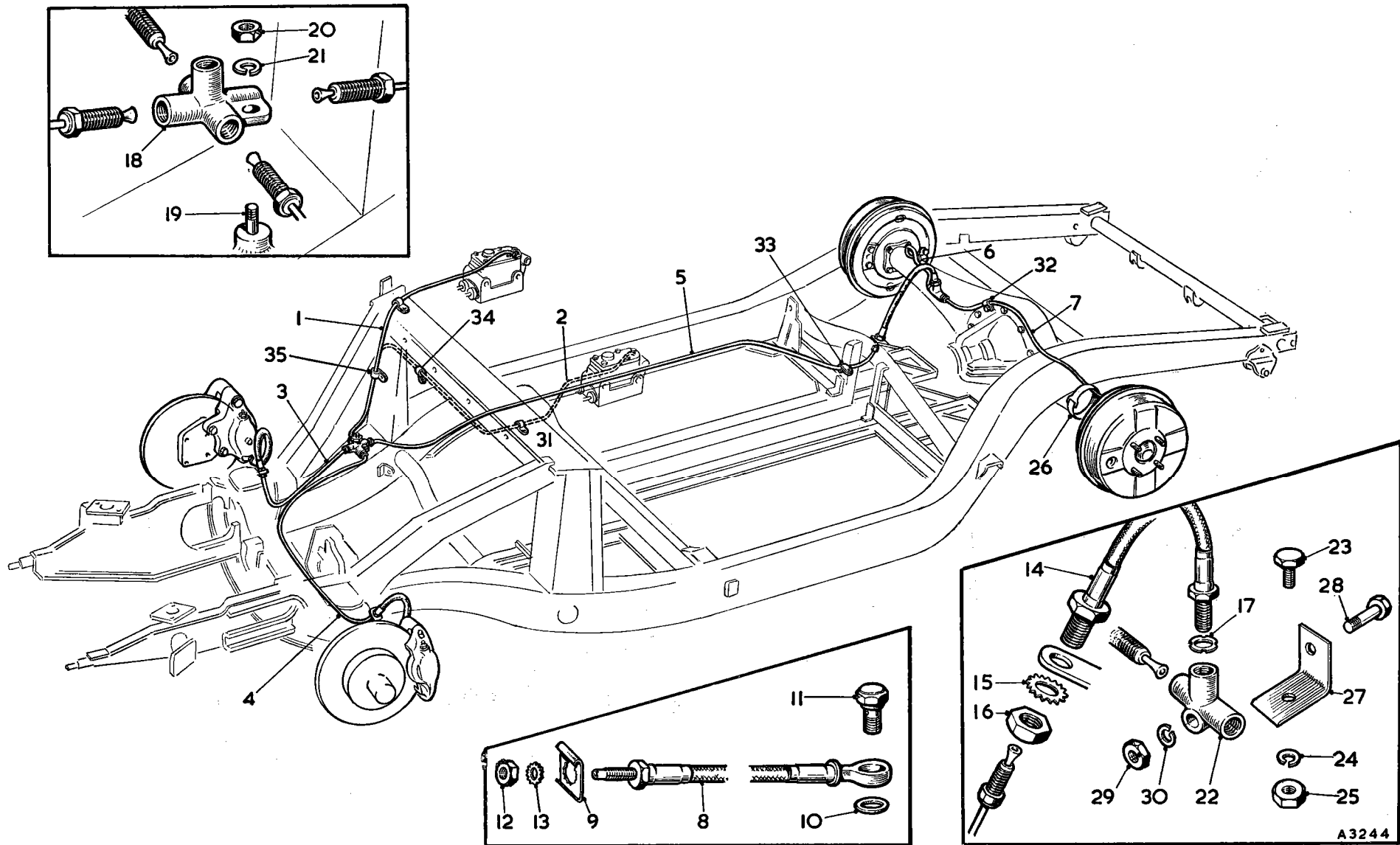


B1434

Item No.	DESCRIPTION	Commencing (C) 68851		Quantity	MODIFICATIONS		REMARKS
		Part Number	Illus. No.		New Part Number	Change Point	
	BRAKE AND CLUTCH MASTER CYLINDER STANDARD MODEL						
1	Cylinder and supply tank assembly	17H7705		1			
2	Body	AJH5082	1	1			
3	Cover—body	17H7702	2	1			
4	Joint—cover	17H7703	3	1			
5	Screw—cover to body	AAA4758	4	5			Part No. change; was 301551
6	Washer—shakeproof—screw	LWN404	5	5			
7	Spring—piston return	AJH5083	6	2			
8	Retainer—spring	17H7571	7	2			
9	Piston	7H7025	8	2			
10	Cup—piston (primary)	7H7485	9	2			
11	Cup—piston (secondary)	17H7109	10	2			
12	Washer—primary cup to piston	7H7484	11	2			
13	Boot—push rod	AJH5084	12	2			
14	Plate—boot fixing	AAA4756	13	1			Part No. change; was 301549
15	Joint—plate	AAA4757	14	1			Part No. change; was 301550
16	Screw fixing plate	AAA4758	15	2			Part No. change; was 301551
17	Washer—shakeproof—screw	LWN404	16	2			
18	Cap—filler	17H7480	17	1			Not available; was 17H3723
19	Cap filler			1	17H3723		Not available; use 17H6861
20	Seal	AJG5016	18	1	17H4708		AJG5016 not available; use 17H4708
21	Cap filler—plastic	17H6861					
22	Body—valve	17H7324	19	1	7H6834		Use 7H6834 for this application
23	Cup—valve	7H7022	20	1	17H7886		Use 17H7886 for this application
24	Washer—valve	7H7489	21	1			
25	Rod—push	BCA4046	22	2			
26	Nut—lock	LNZ205	23	2			
27	Yoke—push rod to pedal	AJH5133	24	2			
28	Bolt—master cylinder to box	HHZ0624	25	2			
29	Nut—bolt	FNZ106	26	2			
30	Washer—spring—nut	LWZ206	27	2			
31	Adaptor—master cylinder	21K8564	28	1			Part No. change; was AH115284
32	Banjo—master cylinder	3H544	29	1			
33	Bolt—banjo	11K8276	30	1			Part No. change; was 311547
34	Joint—banjo connection	3H549	31	1			Part No. change; was 7117456
35	Joint—banjo connection	3H550	32	1			
36	Joint adaptor	3H2287	33	1			
37	Kit—master cylinder repair	8G8224		1			
38	Cup piston (primary)			2			
39	Cup piston (secondary)			2			
40	Washer—primary cup to piston			2			
41	Boot—push rod			2			
42	Cup valve			1			
43	Washer valve			1			

Item No.	DESCRIPTION	Commencing (C) 68851		Quantity	MODIFICATIONS		REMARKS
		Part Number	Illus. No.		New Part Number	Change Point	
	Brake Master Cylinder—continued						
	ALL ROUND DISC BRAKES MODEL						
1	Cylinder and supply tank assembly		1	1	BHA4157	Com. (C) 91240	
2	Body			1	N.S.P.		
3	Cap		3	1	7H8223		
4	Washer—cap		4	1	7H8224		
5	Piston		5	1	7H8264		
6	Valve.....		6	1	7H8226		
7	Spring support—rear end.....		7	1	7H8227		
8	Spring support—front end		8	1	7H8265		
9	Spring—valve		9	1	7H8229		
10	Spring—main.....		10	1	7H8226		
11	Seal—piston		11	1	7H8267		
12	Dust excluder		12	1	7H8237		
13	Rod—push		13	1	7H8231		
14	Washer		14	1	7H8232		
15	Circlip		15	1	7H8233		
16	Seal—static		16	1	7H8269		
17	Seal—recuperating		17	1	7H8268		
18	Locknut—push rod.....		18	1	FNZ205		
19	Cover.....			1	N.S.P.		
20	Gasket—cover		20	1	7H8235		
21	Screw fixing cover.....		21	6	AJD1021		
22	Washer—spring—screw		22	6	AJD7612		
23	Fork end—push rod		23	1	FEZ105		
24	Locknut—fork end		24	1	FNZ205		
25	Screw fixing master cylinder		25	2	HZS0510		
26	Nut—screw		26	2	LNZ205		
27	Washer—plain—nut		27	2	PWZ105		
28	Kit—master cylinder repair			1	8G8495		
29	Seal—piston			1			
30	Dust excluder			1			
31	Seal—static			1			
32	Seal—recuperating			1			
33	Grease—tube			1			

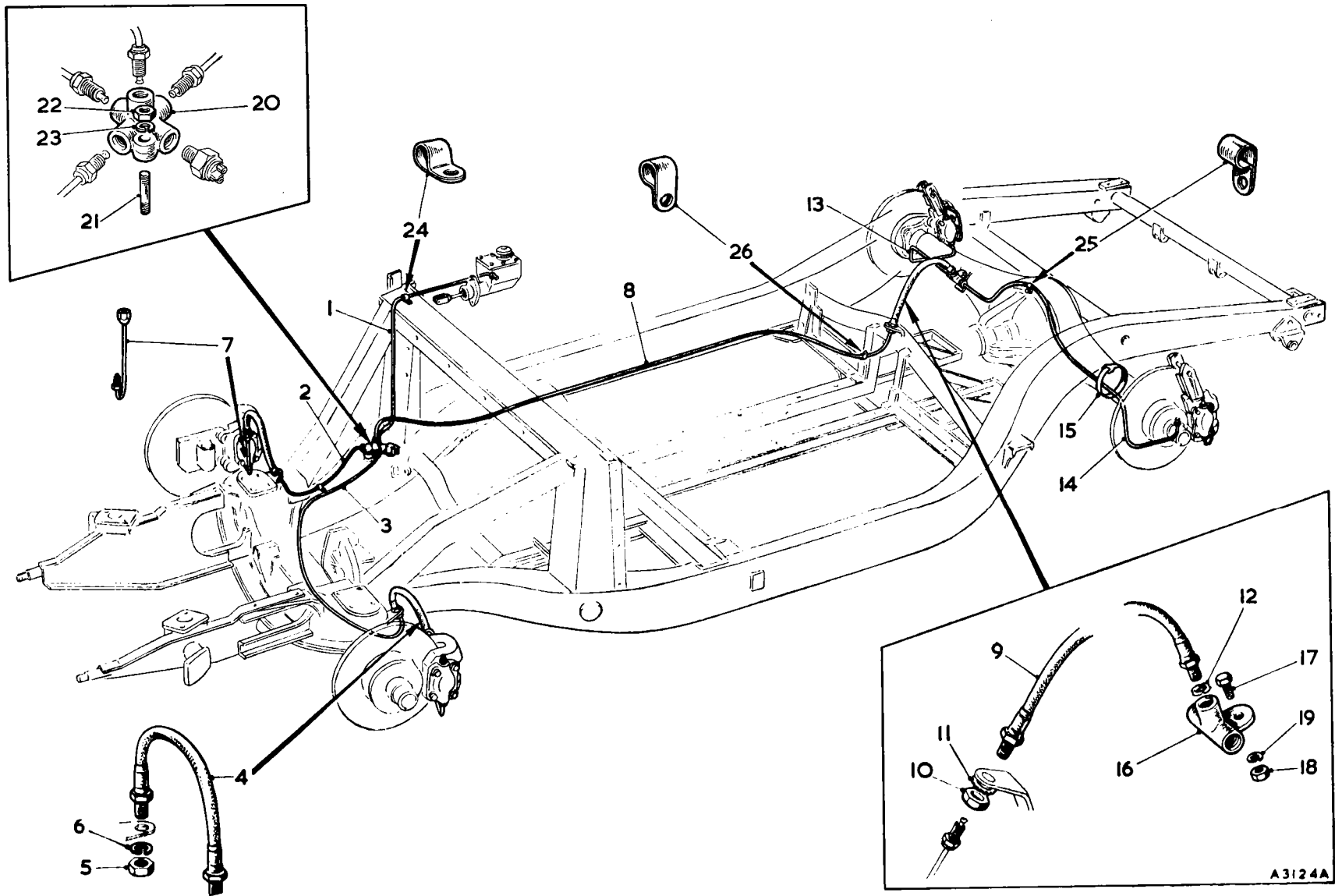


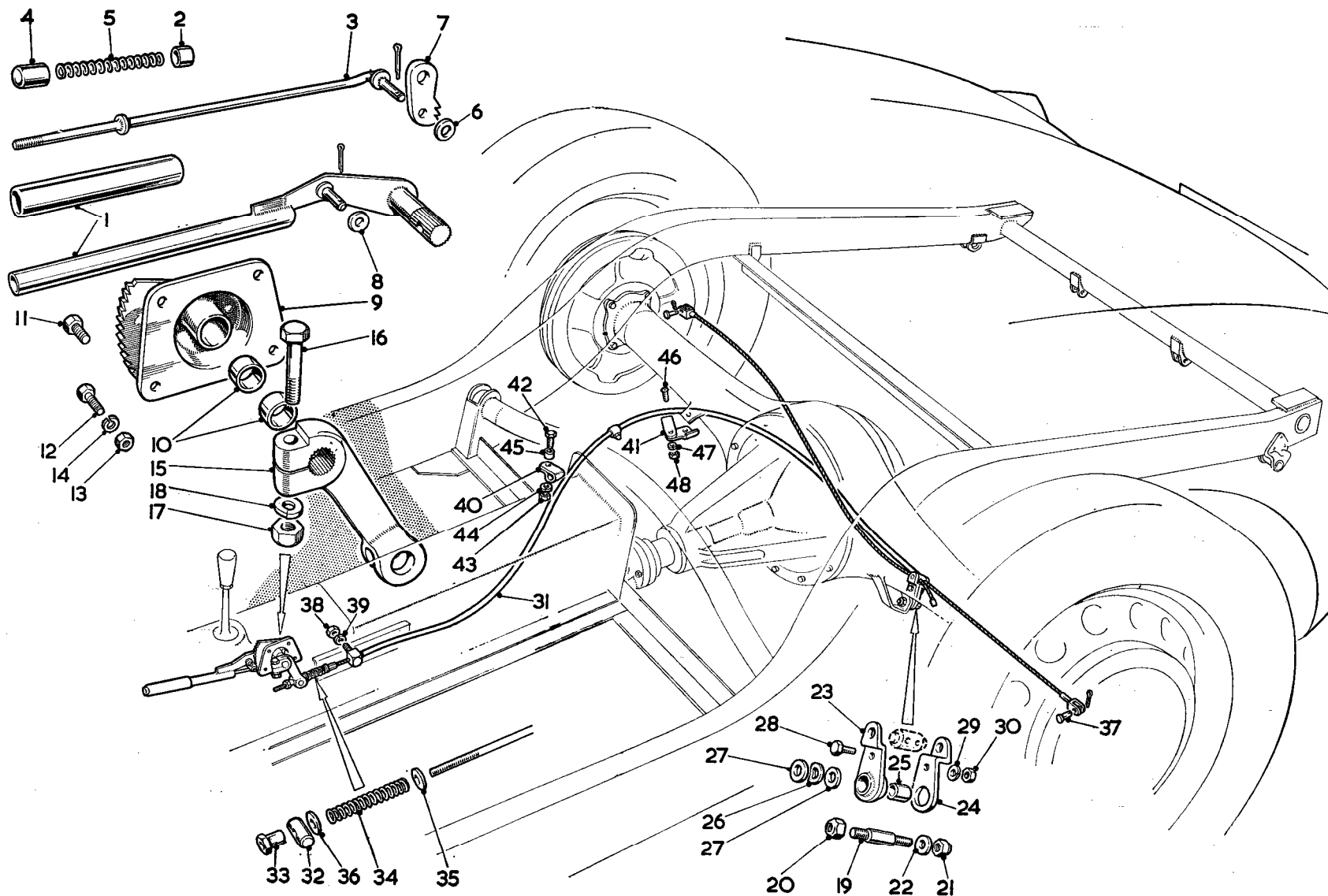


A3244

Item No.	DESCRIPTION	Commencing (C) 68851		Quantity	MODIFICATIONS		REMARKS
		Part Number	Illus. No.		New Part Number	Change Point	
	HYDRAULIC PIPES AND FITTINGS STANDARD MODEL						
1	Pipe—master cylinder to 4-way piece R.H.D.	21A62	1	1			Part No. change; was AHH5278
2	Pipe—master cylinder to 4-way piece L.H.D.	AHH5282	2	1			
3	Pipe—4-way piece to front wheel cylinder—R/H	ACA9878	3	1			Part No. change; was AHH5956
4	Pipe—4-way piece to front wheel cylinder—L/H	AHH5958	4	1			
5	Pipe—4-way piece to rear hose	ACB8701	5	1			Part No. change; was AHH5281
6	Pipe—rear hose bracket to rear wheel cylinder—R/H	ACF5117	6	1			Part No. change; was AHH5629
7	Pipe—rear hose bracket to rear wheel cylinder—L/H	AHH5631	7	1			Disc wheels only
8	Pipe—rear hose bracket to rear wheel cylinder—L/H	AHH5633	8	1			Wire wheels only
9	Hose—brake (front)	BHA4139	8	2			
10	Plate—locking	1G0198	9	2			
11	Gasket—front brake hose	3H1550	10	2			
12	Bolt—banjo—front brake hose	11D5264	11	2			
13	Locknut	FNZ206	12	2			
14	Washer—shakeproof	1.WN506	13	2			Part No. change; was 17H7141
15	Hose—brake (rear)	17H7526	14	1			
16	Washer hose	1.WN510	15	3			
17	Locknut hose	2K8086	16	1			
18	Gasket—brake hose (front and rear)	3H2287	17	3			
19	4-way piece	17H7108	18	1			Part No. change; was AHH5283
20	Stud—4-way piece to side member	AHH5195	19	1	FHS0411		AHH5195 not available; use FHS0411
21	Nut stud	FNZ104	20	1			
22	Washer spring stud	1.WZ204	21	1			
23	3-way piece (rear axle)	3H2424	22	1			
24	Screw—3-way piece bracket	HZS0505	23	1			
25	Washer spring—screw	LWZ205	24	1			
26	Nut—screw	FNZ105	25	1			
27	Strap—brake pipe to axle	ACH8650	26	1			
28	Bracket—3-way piece	AHH5627	27	1			
29	Bolt—3-way piece to axle bracket	HBZ0408	28	1			
30	Nut—bolt	FNZ104	29	1			
31	Washer—spring—bolt	LWZ204	30	1			
32	Clip—brake pipe to master cylinder box bolt	PCR0311	31	1			
33	Clip—L/H rear brake pipe to diff. case bolt	PCR0311	32	1			
34	Clip—main pipe to battery carrier	PCR0307	33	1			
35	Clip—brake pipe to R/H toeboard bolt	PCR0309	34	1			
36	Clip—brake pipe to toeboard	PCR0309	35	1			

Item No.	DESCRIPTION	Commencing (C) 68851		Quantity	MODIFICATIONS		REMARKS
		Part Number	Illus. No.		New Part Number	Change Point	
	Hydraulic Pipes and Fittings—continued						
	ALL ROUND DISC BRAKES MODEL						
1	Pipe—master cylinder to 5-way connection R.H.D.		1	1	AHH5769	Com. (C) 91240	
2	Pipe—master cylinder to 5-way connection L.H.D.			1	AHH5770		
3	Pipe—5-way connection to R/H front hose		2	1	AHH5763		
4	Pipe—5-way connection to L/H front hose		3	1	AHH5764		
5	Hose—front		4	2	AHH5773		
6	Locknut—hose		5	4	FNZ206		
7	Washer—spring—locknut		6	4	LWZ206		
8	Pipe—front hose to camper unit		7	2	AHH5765		
9	Pipe—5-way connection to rear hose		8	1	AHH5768		
10	Hose—rear		9	1	AHH5774		
11	Locknut—hose		10	1	2K8686		
12	Washer—shakeproof—locknut		11	1	LWN510		
13	Gasket—rear hose to 3-way		12	1	3H2287		
14	Pipe—3-way connection to rear brake—R/H		13	1	AHH5766		
15	Pipe—3-way connection to rear brake—L/H		14	1	AHH5767		
16	Strap—brake pipe to axle		15	1	ACH8650		
17	3-way connection		16	1	AHH5772		
18	Screw—3-way connection and cable clip to rear axle		17	1	HZS0506		
19	Nut—screw		18	1	FNZ105		
20	Washer—spring—nut		19	1	LWZ205		
21	5-way connection		20	1	AHH5771		
22	Stud for 5-way connection		21	1	AHH5875		
23	Nut—stud		22	1	FNZ104		
24	Washer—spring—nut		23	1	LWZ204		
25	Clip—brake pipe to master cylinder base plate R.H.D.		24	1	PCR0311		
26	Clip—brake pipe to bulkhead L.H.D.			3	AEH550		
27	Clip—brake pipe to differential case bolt		25	1	PCR0311		
28	Clip—brake pipe to battery carrier		26	1	PCR0307		





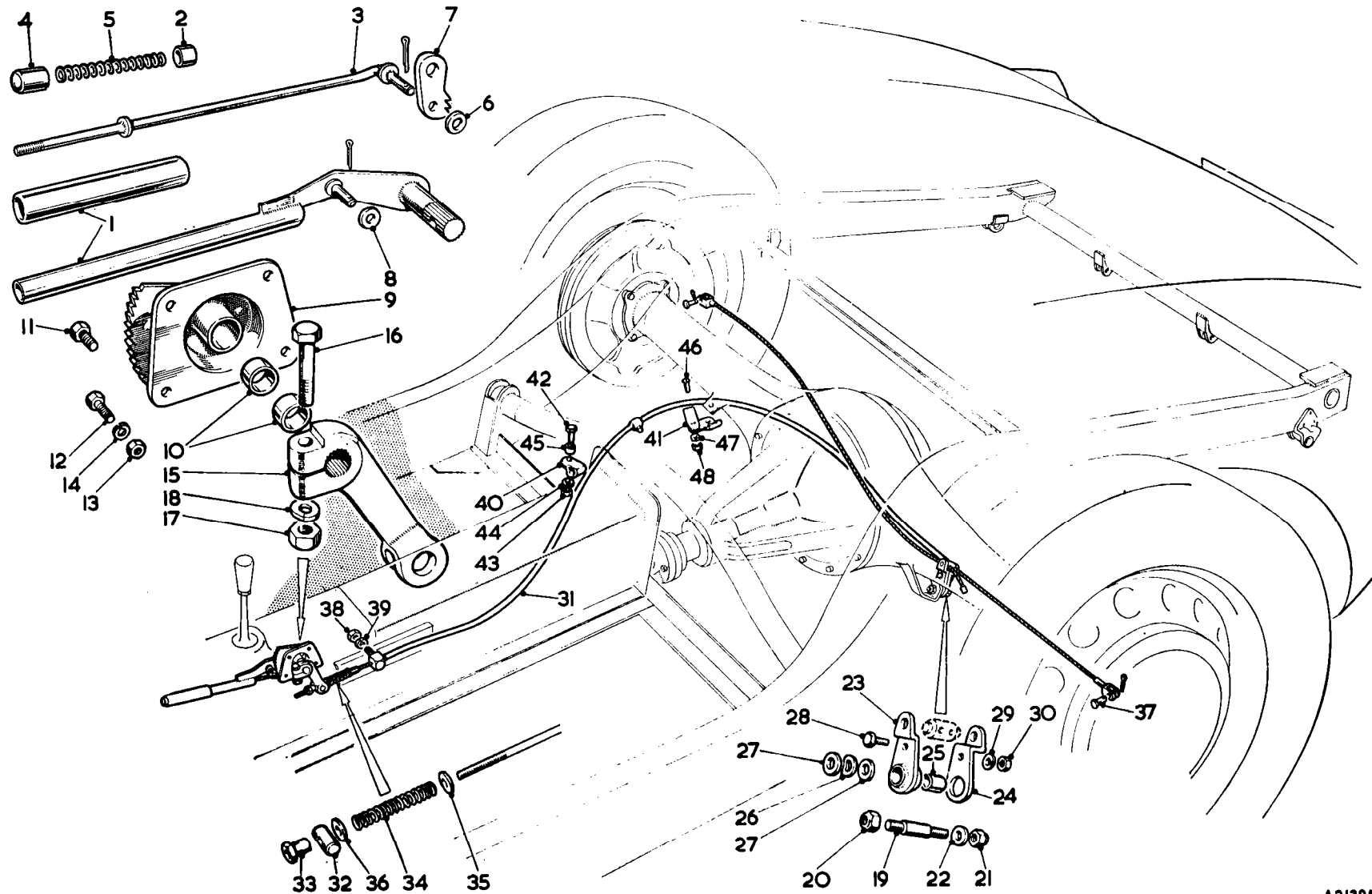
A2139A

Item No.	DESCRIPTION	Commencing (C) 68851		Quantity	MODIFICATIONS		REMARKS
		Part Number	Illus. No.		New Part Number	Change Point	
	HANDBRAKE MECHANISM						
1	Handbrake assembly	AHH5229		1			
2	Handle plate and shaft assembly	AHH5230	1	1			
3	Bush—handle plate and shaft	AAA563	2	1			Part No. change; was 81756
4	Rod assembly—pawl	AHH5233	3	1			
5	Knob—pawl rod	ACC8056	4	1			
6	Spring—pawl rod	AAA515	5	1			Part No. change; was 80461
7	Washer—plain	PWZ103	6	1			
8	Pawl	AHH5238	7	1			
9	Washer—plain	PWZ105	8	1			
10	Fulcrum and ratchet assembly	AHH5232	9	1			
11	Bush	AHH5242	10	2			
12	Screw—handbrake to gearbox cover	HZS0504	11	5			
13	Screw—handbrake to gearbox cover	HZS0505	12	3			
14	Nut—screw	FNZ105	13	8			
15	Washer—spring—screw	LWZ205	14	8			
16	Lever—handbrake operating	AHH5244	15	1			
17	Bolt—operating lever	HBZ0510	16	1			
18	Nut—bolt	FNZ105	17	1			
19	Washer—spring—bolt	LWZ205	18	1			
20	Fulcrum—handbrake compensator	AHH5025	19	1			
21	Nut—fulcrum to axle	LNZ106	20	1			
22	Nut—compensator to fulcrum	LNZ105	21	1			
23	Washer—plain—compensator to fulcrum	PWZ205	22	1			
24	Lever—compensating (inner)	AHH5203	23	1			
25	Lever—compensating (outer)	ACH5101	24	1			
26	Bush—compensating lever	AHH5225	25	1			
27	Washer—anti-rattle—compensating lever	AWZ107	26	1			Part No. change; was AHH5224
28	Washer—plain—compensating lever	PWZ107	27	2			
29	Screw—compensating lever	HZS0405	28	1			
30	Washer—spring—screw	LWZ204	29	1			
31	Nut—screw	FNZ104	30	1			
32	Cable—handbrake	AHH5227	31	1			Disc wheels only
33	Cable—handbrake	AHH5228		1			Wire wheels only
34	Cable—handbrake			1	AHH5761	Com. (C) 91240	All round disc brakes model
35	Trunnion cable	AHH5322	32	1			
36	Nut—adjuster	ACH5104	33	1			
37	Spring—cable	ACH8508	34	1			
38	Washer—plain—cable spring (rear)	PWZ104	35	1			
39	Washer—plain—cable spring (front)	PWZ204	36	1			
40	Pin—clevis	ACB8715	37	2			

SERVICE PARTS LIST

THE MGA 1600

Item No.	DESCRIPTION	Commencing (C) 68851		Quantity	MODIFICATIONS		REMARKS
		Part Number	Illus. No.		New Part Number	Change Point	
	Handbrake Mechanism—continued						
1	Nut—abutment	FNZ105	38	1			
2	Washer—spring—abutment	LWZ205	39	1			
3	Clip—cable to battery carrier	PCR0507	40	1			
4	Clip—cable to 3-way piece to axle bracket	AHH5295	41	1			
5	Screw—clip to battery carrier and main pipe clip	PMZ0816	42	1			
6	Nut—screw	FNZ103	43	1			
7	Washer—spring—nut	LWZ203	44	1			
8	Tube—distance—clip	AHH5297	45	1			
9	Screw—clip—3-way piece	PMZ0806	46	1			
10	Washer—spring—screw	LWZ203	47	1			
11	Nut—screw	FNZ103	48	1			



A2139A