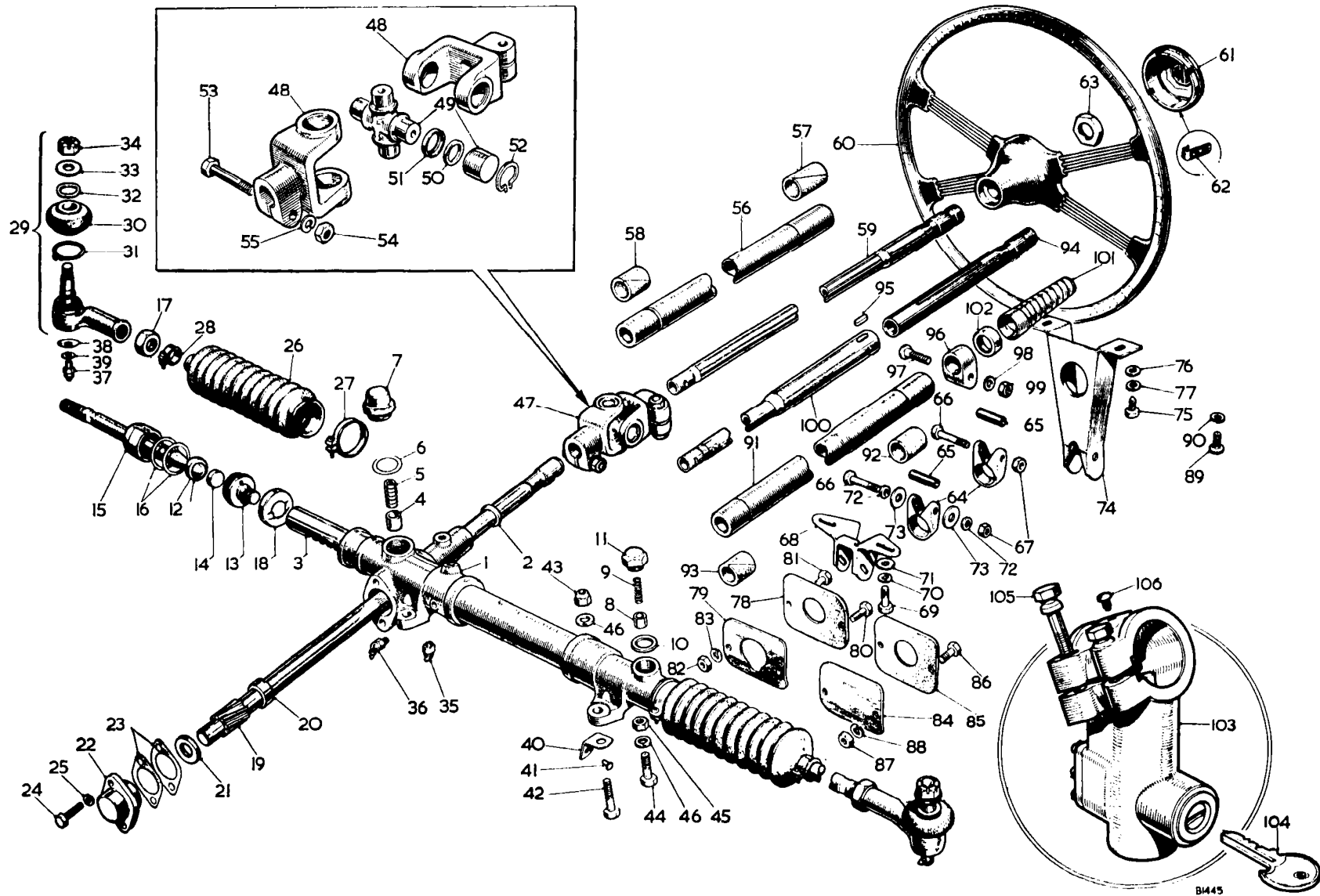


Item No.	DESCRIPTION	Commencing (C) 68851		Quantity	MODIFICATIONS		REMARKS
		Part Number	Illus. No.		New Part Number	Change Point	
	STEERING						
1	Rack assembly R.H.D.	AHH6001		1			} Standard model
2	Rack assembly L.H.D.	AHH6002		1			
3	Rack assembly R.H.D.			1	AHH6038	} Com. (C) 91240	} All round disc brakes model
4	Rack assembly L.H.D.			1	AHH6039		
5	Housing assembly R.H.D.	AHH6013	1	1			} Standard model
6	Housing assembly L.H.D.	AHH6016		1			
7	Housing assembly R.H.D.			1	AHH6042	} Com. (C) 91240	} All round disc brakes model
8	Housing assembly L.H.D.			1	AHH6043		
9	Seal—pinion shaft.....	AAA1335	2	1			} Part No. change; was 126922
10	Rack—steering.....	AHH6020	3	1			
11	Pad—rack damper.....	ACA5244	4	1			
12	Spring—damper pad.....	ACA5248	5	1			
13	Shim—pad housing .047" (1.19 mm.)	17H6425		1			
14	Shim—pad housing .003" (.076 mm.)	ACA5249	6	A/R			} Part No. change; was ACA5240
15	Housing—rack damper.....	ACA5245	7	1			
16	Pad—secondary damper.....	ACA5284	8	1			
17	Spring—secondary damper pad.....	ACA5286	9	1			
18	Housing—secondary damper.....	ACA5285	11	1			
19	Washer—housing.....	ACA5283	10	1			
20	Rod—tie.....	AHH6019	12	2			
21	Housing—male ball.....	ACA6031	13	2			
22	Seat—ball.....	ACA5246	14	2			
23	Housing—female ball.....	ACA5304	15	2			
24	Shim—ball housing .003" (.076 mm.)	ACA5301	16	A/R			
25	Shim—ball housing .005" (.127 mm.)	ACA5302		A/R			
26	Locknut—tie rod.....	FNZ210	17	2			} Part No. change; was AJB6025
27	Washer—lock—tie.....	ACA5247	18	2			
28	Pinion—steering R.H.D.	AHH6021	19	1			} Standard model
29	Pinion—steering L.H.D.	AHH6022		1			
30	Pinion—steering R.H.D.			1	AHH6036	} Com. (C) 91240	} All round disc brakes model
31	Pinion—steering L.H.D.			1	AHH6037		
32	Washer—thrust—pinion upper.....	AAA1679	20	1			} Part No. change; was 130795
33	Washer—thrust—pinion lower.....	AAA1336	21	1			
34	Bearing—pinion tail.....	AHH6023	22	1			
35	Shim—tail bearing .005" (.127 mm.)	AAA1333	23	A/R			} Part No. change; was 126920
36	Shim—tail bearing .007" (.178 mm.)	AAA1334		A/R			
37	Screw—bearing to rack housing.....	HZS0506	24	2			
38	Washer—spring—screw.....	LWZ205	25	2			
39	Seal—rack to tie rod.....	AAA1682	26	2			} Part No. change; was 130801
40	Clip—seal—large.....	BMK924	27	2			
41	Clip—seal—small.....	3H2963	28	2			} Part No. change; was ACA5118



SERVICE PARTS LIST

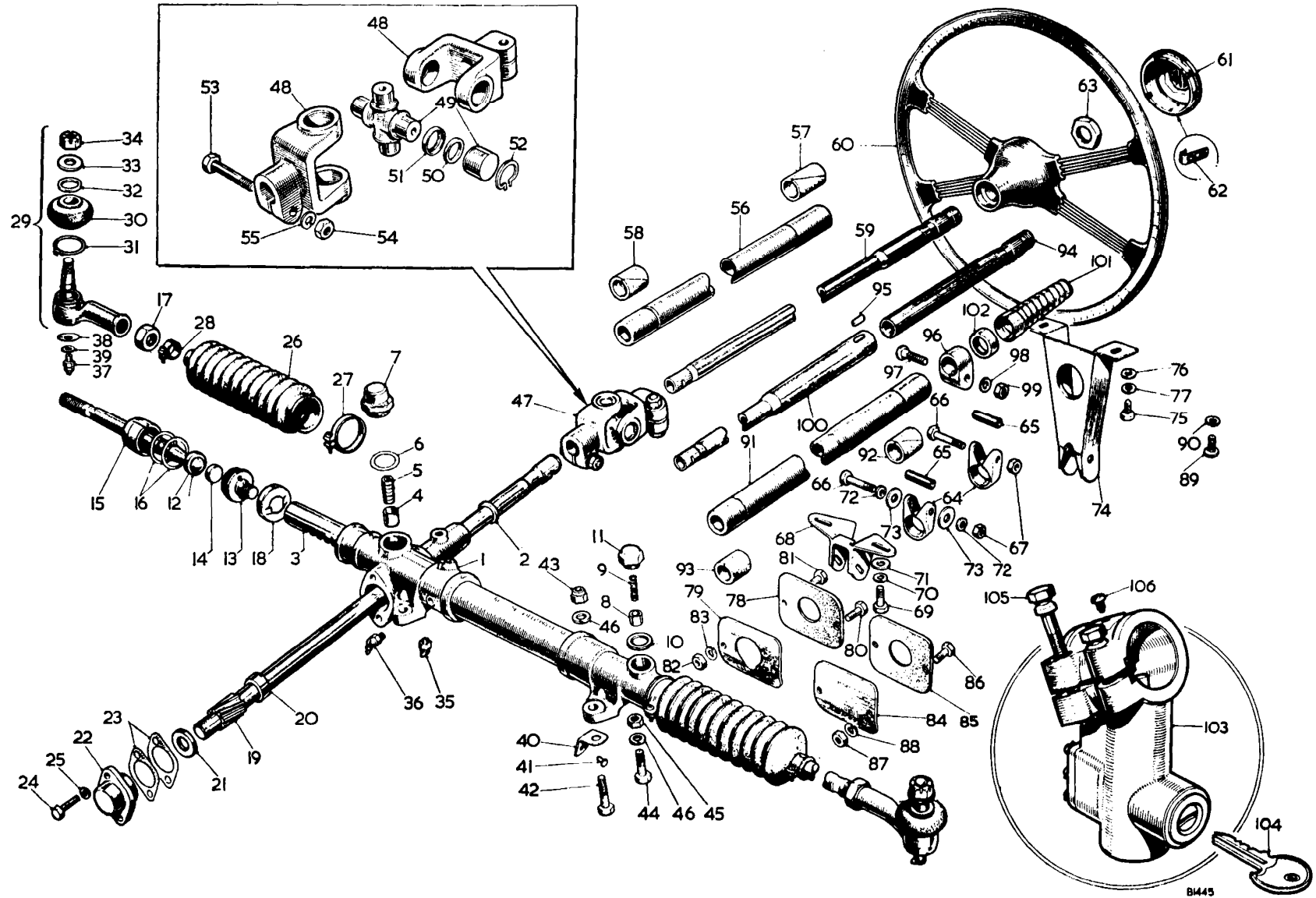
THE MGA 1600

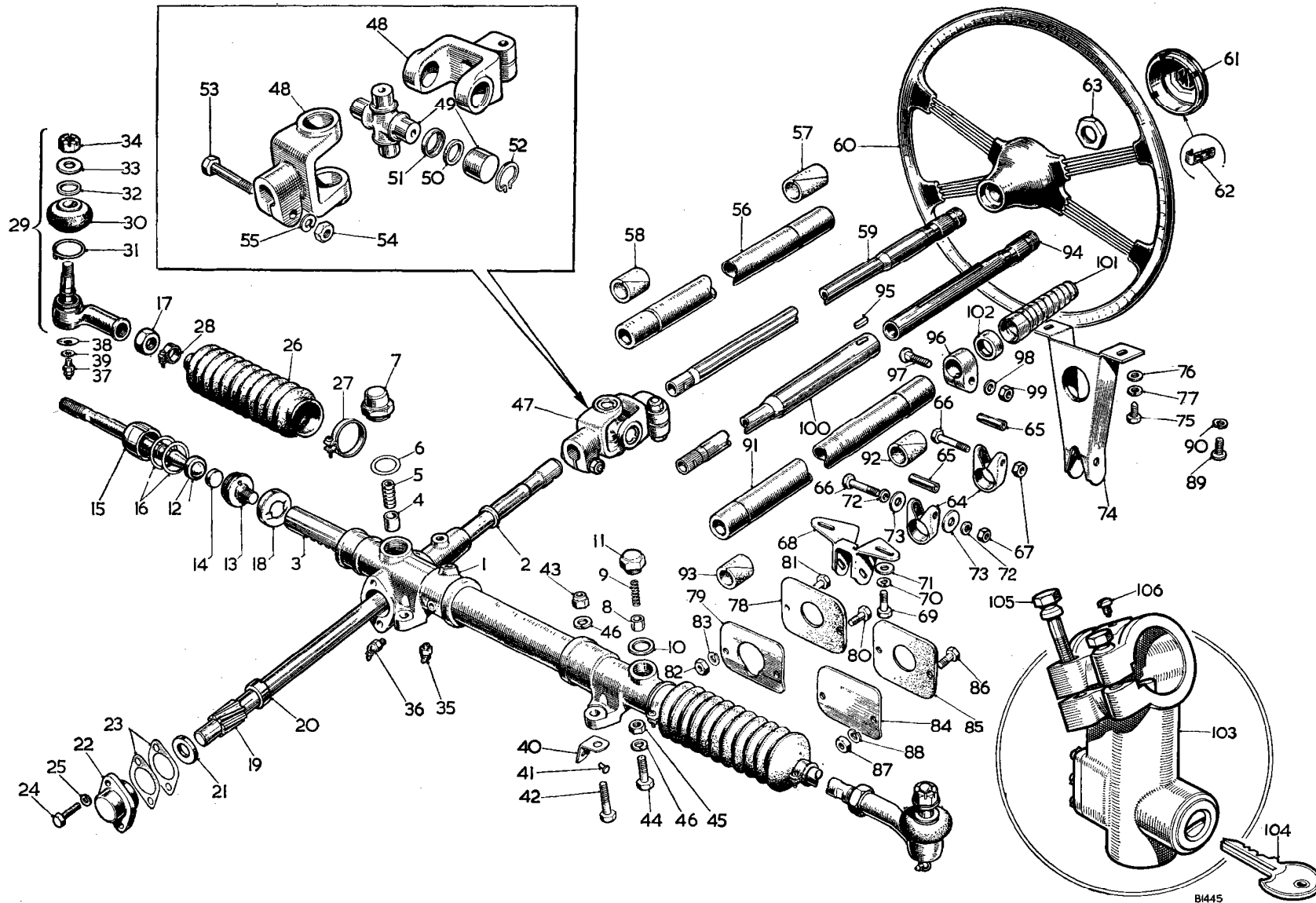
Item No.	DESCRIPTION	Commencing (C) 68851		Quantity	MODIFICATIONS		REMARKS
		Part Number	Illus. No.		New Part Number	Change Point	
	Steering—continued						
1	Socket assembly—ball	ACH6168	29	2	8G8452		ACH6168 not available; use 8G8452
2	Boot (rubber)	7H3571	30	2	7H3762		7H3571 not available; use 7H3762
3	Clip—boot	7H3565	31	2			
4	Ring—boot	ACA6004	32	2	7H3763		ACA6004 not available; use 7H3763
5	Washer—ball socket	PWZ107	33	2			
6	Nut—ball socket	FNZ407	34	2			
7	Washer—dished—lubricator	ACH6170	38	2			
8	Washer—fibre—lubricator	ACH6173	39	2			
9	Lubricator—rack	UHN205	36	1			
10	Lubricator—pinion	UHN205	35	1			
11	Lubricator—pinion	UHN105		1			
12	Lubricator—ball socket	UHN405	37	2			
13	Shim—steering rack to brackets	AHH6007	40	A/R			
14	Rivet—shim	DAP0829	41	A/R			Maximum 6 off per car Part No. change was 6K9714
15	Bolt—rack to bracket front	HZS0509	42	2			
16	Nut—bolt	LNZ205	43	2			
17	Bolt—rack to bracket rear	HZS0508	44	2			
18	Nut—bolt	FNZ105	45	2			
19	Washer—spring—nut	LWZ205	46	4			
20	Joint—universal—steering column	AHH6000	47	1			
21	End yoke	17H3925	48	2			
22	Journal assembly	17H3873	49	1			
23	Joint—journal	17H3874	50	4			
24	Retainer—joint	17H3875	51	4			
25	Circlip	CCN212	52	4			
26	Bolt for universal joint	17H3839	53	2	HBN0610		Part No. change; was 17H3811 17H3839 not available; use HBN0610
27	Nut—bolt	FNN105	54	2			Part No. change; was 17H3840
28	Washer—spring—nut	LWN205	55	2			Part No. change; was LWN205
29	Column assembly	AHH6011		1			
30	Tube—outer	AHH6025	56	1			
31	Bush—felt—upper end	7H6255	57	1			
32	Bush—felt—lower end	AHH6027	58	1			
33	Tube assembly—inner	AHH6028	59	1			

SERVICE PARTS LIST

THE MGA 1600

Item No.	DESCRIPTION	Commencing (C) 68851		Quantity	MODIFICATIONS		REMARKS
		Part Number	Illus. No.		New Part Number	Change Point	
	Steering—continued						
1	Wheel—steering	AHH6003	60	1			
2	Cover—steering wheel	AHH6004	61	1			
3	Clip—spring—cover	AHH6035	62	4			
4	Nut—steering wheel	ACH6001	63	1			
5	Clamp—steering column	AHH6005	64	2			
6	Distance-piece—clamp	AHH6006	65	2			
7	Bolt—clamp	HBZ0518	66	2			
8	Nut—clamp bolt	FNZ105	67	2			
9	Bracket—lower—steering column	AHH6008	68	1			
10	Screw—bracket to frame	HZS0506	69	2			
11	Washer—spring—screw	LWZ205	70	2			
12	Washer—plain—screw	PWZ205	71	2			
13	Washer—spring—lower bracket to clamp	LWZ205	72	2			
14	Washer—plain—lower bracket to clamp	PWZ205	73	2			
15	Bracket—steering column—upper	AHH6030	74	1			
16	Screw—bracket to body rail	HZS0505	75	2			
17	Washer—plain—screw	PWZ205	76	2			
18	Washer—spring—screw	LWZ205	77	2			
19	Seal—column—rubber	AHH6009	78	1			
20	Retainer—seal	AHH6010	79	1			
21	Screw—retainer to dash	HZS0505	80	1			
22	Screw—retainer to dash	HZS0506	81	1			
23	Nut—screw	FNZ105	82	2			
24	Washer—spring—nut	LWZ205	83	2			
25	Plate—blanking	AHH6024	84	1			
26	Seal—blanking plate	AHH6009	85	1			
27	Screw—blanking plate to dash	HZS0505	86	2			
28	Nut—screw	FNZ105	87	2			
29	Washer—spring—nut	LWZ205	88	2			
30	Screw—column bracket blanking holes	PMZ0508	89	2			
31	Washer—spring—screw	LWZ205	90	2			





Item No.	DESCRIPTION	Commencing (C) 68851		Quantity	MODIFICATIONS		REMARKS
		Part Number	Illus. No.		New Part Number	Change Point	
	ADJUSTABLE STEERING COLUMN (OPTIONAL EXTRA)						
1	Column assembly	AHH6012		1			
2	Column assembly	N.S.P.		1] When steering lock is fitted
3	Column assembly	N.S.P.		1			
4	Tube—outer	AHH6031	91	1			
5	Tube—outer	17H6881		1] When steering lock is fitted
6	Tube—outer	17H6589		1			
7	Bush—top end—felt	AHH6032	92	1			
8	Bush—lower end—felt	AHH6027	98	1			
9	Top end—adjustable	ACC6042	94	1			
10	Key—top end	AAA193	95	1			Part No. change; was 47330
11	Collar—clamping	AAA192	96	1			Part No change; was 47327
12	Bolt—clamping collar	AJC6014	97	1			
13	Washer—bolt	PWP105	98	1			Part No. change; was 47325
14	Nut—bolt	FNZ205	99	1			
15	Tube assembly—inner	AHH6088	100	1			
16	Tube assembly—inner	17H6880		1] When steering lock is fitted
17	Tube assembly—inner	17H6588		1			
18	Screw—column to upper bracket	HZS0504		1			
19	Washer—spring—screw	LWZ205		1			
20	Nut—screw	FNZ105		1			
21	Cover—spring	AAA1651	101	1			Part No. change; was 180463
22	Cup—spring cover	AAA1650	102	1			Part No. change; was 180462
23	Lock assembly (with ignition switch)	ACB9425	103	1			
24	Key	97H2797	104	2			Always quote key or car No.
25	Bolt—shear	ACB9427	105	2			
26	Screw—location	ACB9428	106	1			