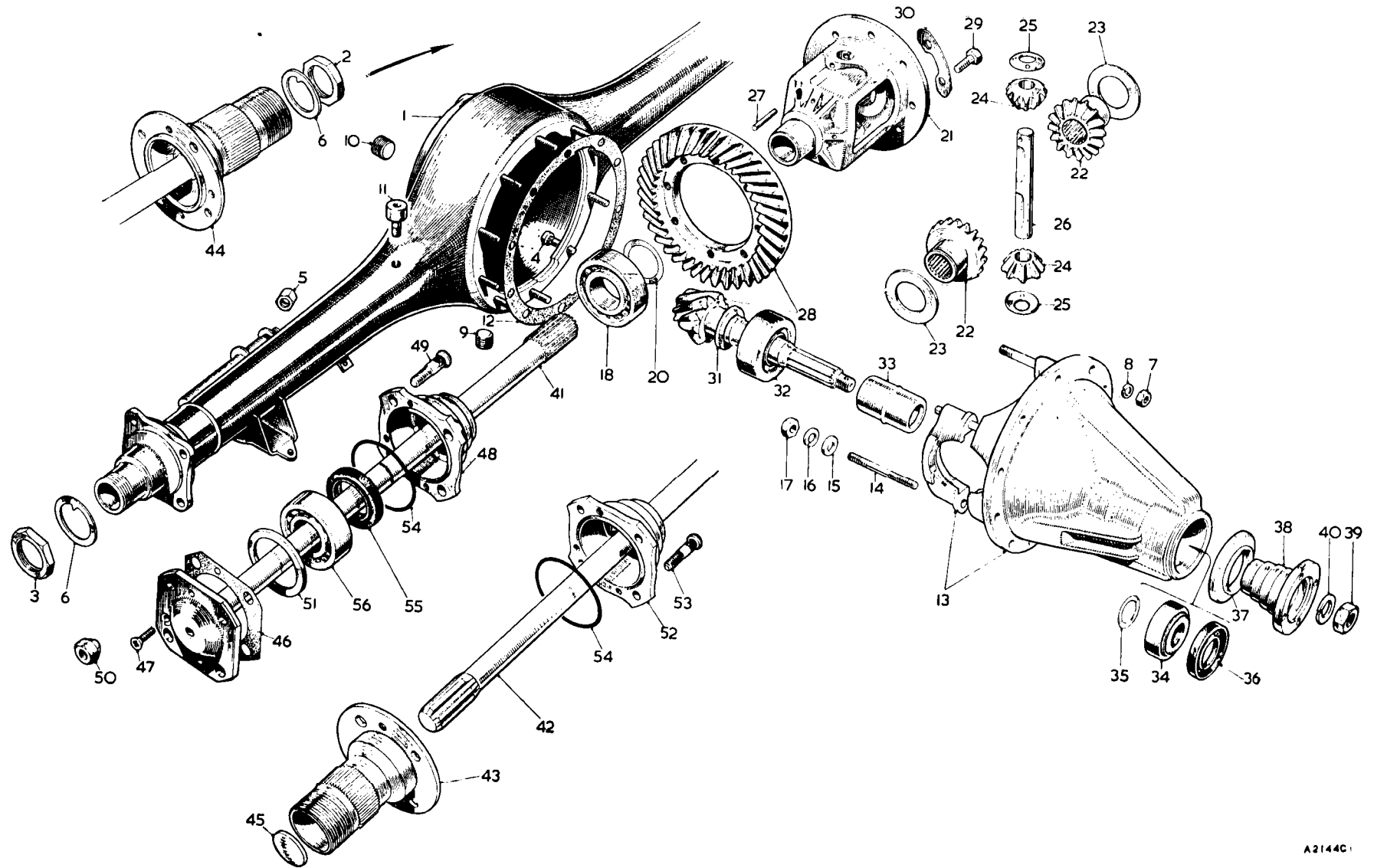
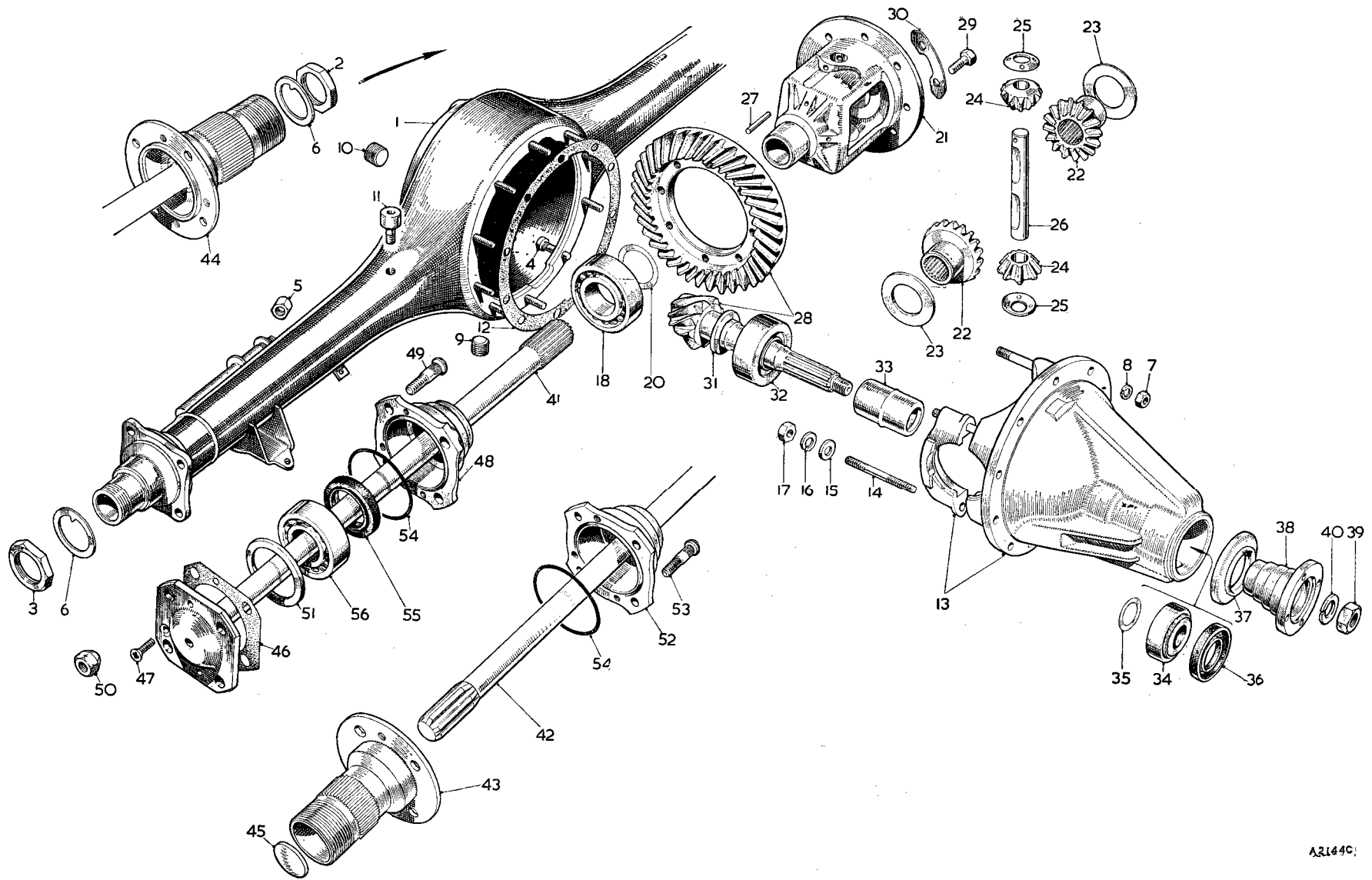


Item No.	DESCRIPTION	Commencing (C) 68851		Quantity	MODIFICATIONS		REMARKS
		Part Number	Illus. No.		New Part Number	Change Point	
REAR AXLE AND SUSPENSION							
REAR AXLE STANDARD MODEL							
1	Axle assembly	N.S.P.		1			
2	Case assembly	ATB7224	1	1			Disc wheels only
3	Case assembly	ATB7225		1			Wire wheels only
4	Nut—bearing retaining—R.H.T.	1G7448	2	1			
5	Nut—bearing retaining—L.H.T.	1G7582	3	1			
6	Stud—gear carrier	2A7226	4	10			
7	Nut—rebound spindle	FNZ106	5	2			
8	Washer—lock—bearing retaining nut	1G7584	6	2			
9	Nut—gear carrier to axle case	FNZ105	7	10			
10	Washer—spring—nut	LWZ205	8	10			
11	Joint—gear carrier to axle case	1G7465	12	1			
12	Plug—drain	6K499	9	1			
13	Plug—filler	6K499	10	1			
14	Breather assembly	1G6368	11	1	1H3364		1G3668 not available use 1H3364
15	Differential assembly 10/43	ATB7233		1		Fin. (C) 82892 disc wheels (C) 82748 wire wheels	Optional alternative ratio
16	Differential assembly 9/41	ATB7280		1	BTB217	Com. (C) 82893 disc wheels (C) 82749 wire wheels	
17	Differential assembly 10/43			1	BTB217	Fin. (C) 100351 Com. (C) 100352	
18	Differential assembly 10/41			1	BTB263	Com. (C) 82893 disc wheels (C) 82749 wire wheels	Optional alternative ratio to BTB217 or BTB263
19	Differential assembly 9/41			1	BTB216		
20	Carrier assembly	ATB7181	13	1			
21	Stud—bearing cap	51K886	14	4			
22	Washer—plain—bearing cap	ATC7084	15	4			
23	Washer—spring—bearing cap	LWN307	16	4			
24	Nut—stud	FNN107	17	4			
25	Bearing—differential	2K8938	18	2			
26	Bearing—differential	2K6544		2			Not available; use 2K8938
27	Washer—bearing packing .002" (.051 mm.)	2K7993	20	A/R			
28	Washer—bearing packing .003" (.076 mm.)	ATB7239		A/R			
29	Washer—bearing packing .004" (.102 mm.)	2K7435		A/R			
30	Washer—bearing packing .006" (.152 mm.)	6K503		A/R			
31	Washer—bearing packing .010" (.254 mm.)	1G7600		A/R			
32	Cage—differential	ATB7062	21	1	BTB328		ATB7062 not available; use BTB328
33	Wheel—differential	ATB7282	22	2	BTB150	Com. (C) 82893 disc wheels (C) 82749 wire wheels	
34	Washer—thrust—differential wheel	ATB7072	23	2			
35	Pinion—differential	ATB7123	24	2			
36	Washer—thrust—differential pinion	1G7445	25	2			
37	Pin—pinion	1G7444	26	1			
38	Peg—pinion pin	6K842	27	1			



A2144C

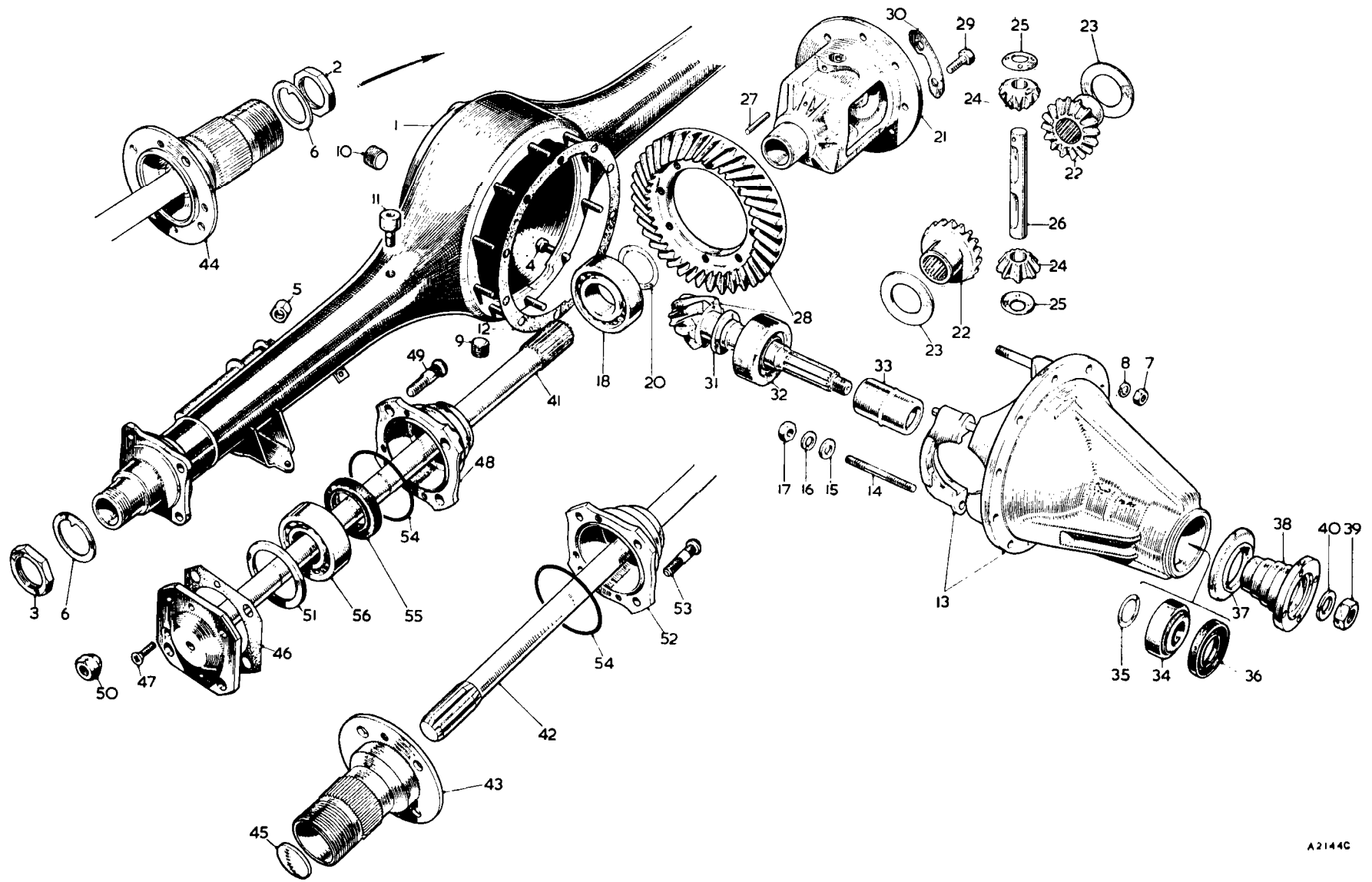


A2164C

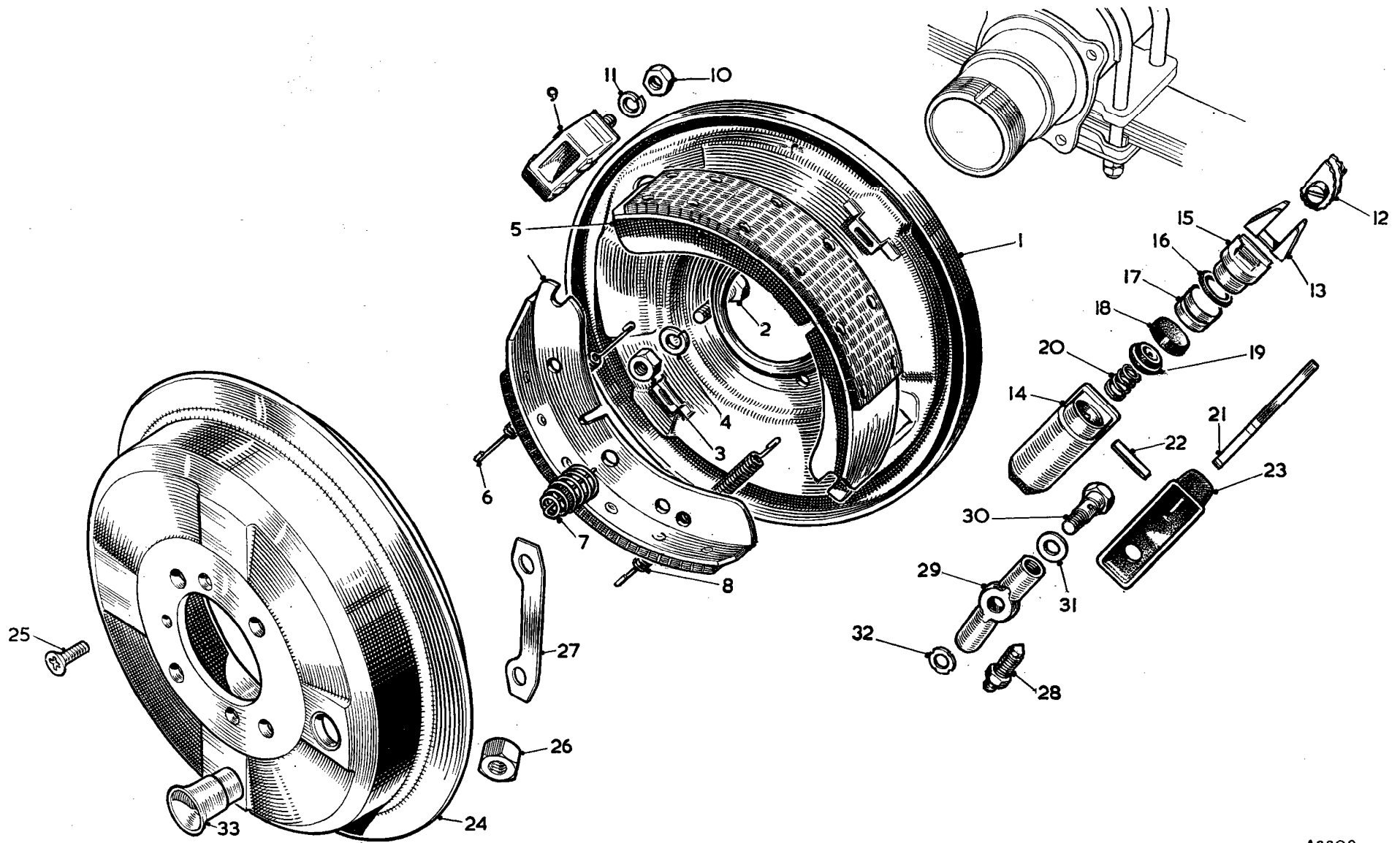
SERVICE PARTS LIST

THE MGA 1600

Item No.	DESCRIPTION	Commencing (C) 68851		Quantity	MODIFICATIONS		REMARKS
		Part Number	Illus. No.		New Part Number	Change Point	
	Rear Axle—Standard Model—continued						
1	Crown wheel and pinion 10/43	88G283	28	1		Fin. (C) 100351	Part No. change; was ATB7156 and BTB323
2	Crown wheel and pinion 10/41			1	ATB7240	Com. (C) 100352	
3	Crown wheel and pinion 9/41	88G284		1			Optional alternative ratio to 10/43 or 10/41; Part No. change; was ATB7146 and BTB57 ATA7043 not available; use ATA7232
4	Bolt—crown wheel to differential cage	ATA7043	29	8	ATA7232		
5	Washer—lock—bolt	6K875	30	4			One used of selected size
6	Washer—pinion thrust .126" (3.20 mm.)	ATB7064	31	1			
7	Washer—pinion thrust .124" (3.15 mm.)	ATB7065		1			
8	Washer—pinion thrust .122" (3.10 mm.)	ATB7066		1			
9	Washer—pinion thrust .120" (3.05 mm.)	ATB7067		1			
10	Washer—pinion thrust .118" (3.00 mm.)	ATB7068		1			
11	Washer—pinion thrust .116" (2.95 mm.)	ATB7069		1			
12	Washer—pinion thrust .114" (2.90 mm.)	ATB6070		1			
13	Washer—pinion thrust .112" (2.84 mm.)	ATB7071		1			
14	Bearing—pinion—inner	6K287	32	1			
15	Spacer—bearing	1B7240	33	1			
16	Bearing—pinion—outer	2A7213	34	1			
17	Shim—outer bearing .004" (.102 mm.)	ATB7102	35	A/R			
18	Shim—outer bearing .006" (.152 mm.)	ATB7103		A/R			
19	Shim—outer bearing .008" (.203 mm.)	ATB7104		A/R			
20	Shim—outer bearing .010" (.254 mm.)	ATB7105		A/R			
21	Shim—outer bearing .012" (.304 mm.)	ATB7106		A/R			
22	Shim—outer bearing .020" (.508 mm.)	ATB7107		A/R			
23	Shim—outer bearing .030" (.762 mm.)	ATB7108		A/R			
24	Seal—oil	88G320	36	1			Part No. change; was ATA7047
25	Cover—dust	1G7439	37	1			
26	Flange—universal joint	ATB7059	38	1			
27	Nut to pinion	FNZ612	39	1			
28	Washer—spring—nut	LWZ212	40	1			
29	Shaft—axle	ATB7279	41	2	BTB151	Com. (C) 82893	Disc wheels only
30	Shaft—axle	ATB7386	42	2	BTB153	Com. (C) 82749	
31	Hub extension—R/H	ATB7204	43	1			Wire wheels only
32	Hub extension—L/H	ATB7205	44	1			
33	Plug—welch—hub extension	2K8160	45	2			
34	Joint—shaft to hub	ATB7355	46	2			
35	Screw—countersunk—shaft to hub	CMZ0410	47	2			
36	Hub assembly	ATB7352	48	2			Part No. change; was ATB7074 and BTB415 Disc wheels only
37	Stud—wheel	1G7435	49	8			
38	Nut—wheel stud		50	8			
39	Spacer—bearing	1G7436	51	2			



A2144C



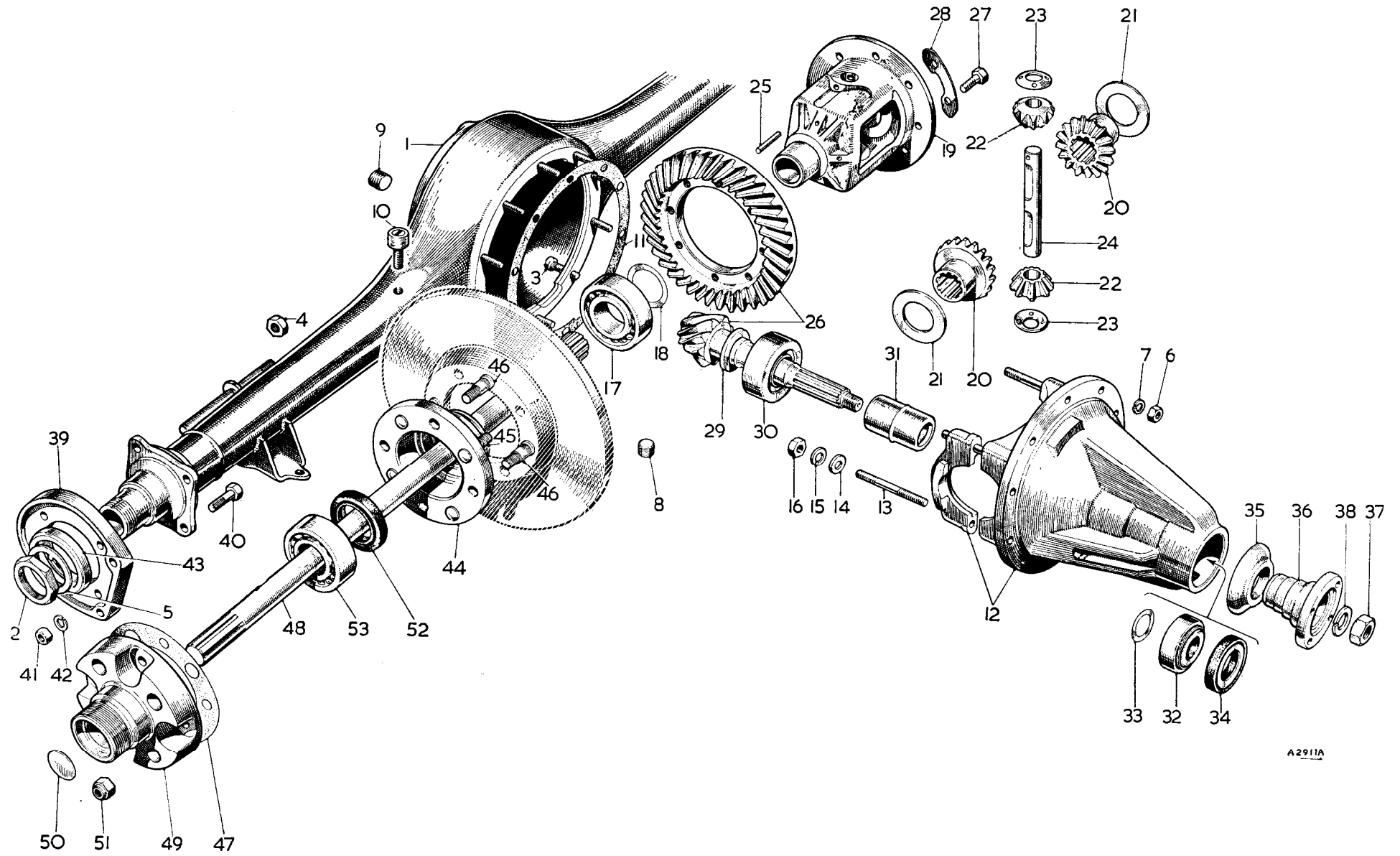
A3209

SERVICE PARTS LIST

THE MGA 1600

Item No.	DESCRIPTION	Commencing (C) 68851		Quantity	MODIFICATIONS		REMARKS
		Part Number	Illus. No.		New Part Number	Change Point	
REAR BRAKES							
STANDARD MODEL							
1	Plate—brake—R/H	ATB7078		1			
2	Plate—brake—L/H	ATB7079		1			
3	Bolt—brake plate to axle case	51K1880		2			
4	Nut—bolt	FNZ106		3			
5	Washer—spring—bolt	LWZ206		4			
6	Brake—shoe assembly	8G8306		5	2 sets		
7	Liner with rivets	8G8307			1 box		
8	Rivet	7H7398			48		
9	Spring—shoe pull off	7H7080		6	2		
10	Spring—shoe steady	AAA4714		7	2		Part No. change; was 301020
11	Spring—shoe tension	7H7085		8	2		
12	Block—abutment	7H7082		9	2		
13	Nut—abutment block to brake plate	AJ108105N		10	4		Part No. change; was 7H7355
14	Washer—spring—nut	7H7368		11	4	LWN305	7H7368 not available; use LWN305
15	Adjuster	7H7081		12	2		
16	Mask—adjuster	7H7080		13	2		
17	Cylinder assembly—wheel	27H7394			2		
18	Body	7H7042		14	2		
19	Piston with dust cover	7H7078		15	2		
20	Seal	17H7707		16	2		
21	Piston—hydraulic	7H7928		17	2		
22	Cup piston	7H7923		18	2		
23	Filler—cup	7H7940		19	2		
24	Spring—filler	7H7939		20	2		
25	Lever—handbrake	27H7395		21	2		
26	Pin—pivot—handbrake lever	17H7203		22	2		
27	Boot—handbrake lever	7H7943		23	2		
28	Drum—brake	ATB7075		24	2		
29	Plug—brake drum (large)	ACH5703		33	2		Disc wheels
30	Plug—brake drum (small)	ACH5704			2		
31	Screw—drum to hub	CMZ0410		25	4		Part No. change was 140677
32	Plug—brake drum (large)	BHA4251			2		
33	Plug—brake drum (small)	AHH5514			2		Wire wheels
34	Nut—drum retaining	FNZ507		26	8		
35	Washer—tab—nut	ATB7209		27	4		
36	Screw—bleeder	3H2428		28	2		
37	Connection—banjo	AHH5634		29	2		
38	Bolt—banjo connection	7H7847		30	2		
39	Gasket—banjo connection (large)	3H550		31	2		
40	Gasket—banjo connection (small)	3H2287		32	2		
41	Kit—wheel cylinder repair	8G8243			2		
42	Cup				2		
43	Seal				2		
44	Boot				2		

Item No.	DESCRIPTION	Commencing (C) 68851		Quantity	MODIFICATIONS		REMARKS
		Part Number	Illus. No.		New Part Number	Change Point	
	REAR AXLE						
	ALL ROUND DISC BRAKES MODEL						
1	Axle assembly			1	N.S.P.		
2	Case assembly		1	1	ATB7288] Com. (C) 91240	
3	Nut—bearing retaining—R.H.T.		2	1	1G7448		
4	Nut—bearing retaining—L.H.T.			1	1G7582		
5	Stud—gear carrier		3	10	2A7226		
6	Nut—rebound spindle		4	2	FNZ106		
7	Washer—lock—bearing retaining nut		5	2	1G7584		
8	Nut—gear carrier to axle case		6	10	FNZ105		
9	Washer—spring—nut		7	10	LWZ205		
10	Joint—gear carrier to axle case		11	1	1G7465		
11	Plug—drain		8	1	6K499		
12	Plug—filler		9	1	6K499		
13	Breather assembly		10	1	1H3364		
14	Differential assembly 10/43			1	BTB217		
15	Differential assembly 10/41			1	BTB263] Com. (C) 91240 Fin. (C) 100351 Com. (C) 100352 Com. (C) 91240
16	Differential assembly 9/41			1	BTB216		
17	Carrier assembly		12	1	ATB7181] Alternatives	
18	Stud—bearing cap		13	4	51K886		
19	Washer—plain—bearing cap		14	4	ATC7084		
20	Washer—spring—bearing cap		15	4	LWN307		
21	Nut—stud		16	4	FNN107		
22	Bearing—differential		17	2	2K8938		
23	Bearing—differential			2	2K6544		
24	Washer—bearing packing .002" (.051 mm.)		18	A/R	2K7993		
25	Washer—bearing packing .003" (.076 mm.)			A/R	ATB7239		
26	Washer—bearing packing .004" (.102 mm.)			A/R	2K7435		
27	Washer—bearing packing .006" (.152 mm.)			A/R	6K503		
28	Washer—bearing packing .010" (.254 mm.)			A/R	1G7600		
29	Cage—differential		19	1	ATB7062		
30	Wheel—differential		20	2	BTB150		
31	Washer—thrust—differential wheel		21	2	ATB7072		
32	Pinion—differential		22	2	ATB7123		
33	Washer—thrust—differential pinion		23	2	1G7445		
34	Pin—pinion		24	1	1G7444		
35	Peg—pinion pin		25	1	6K842		

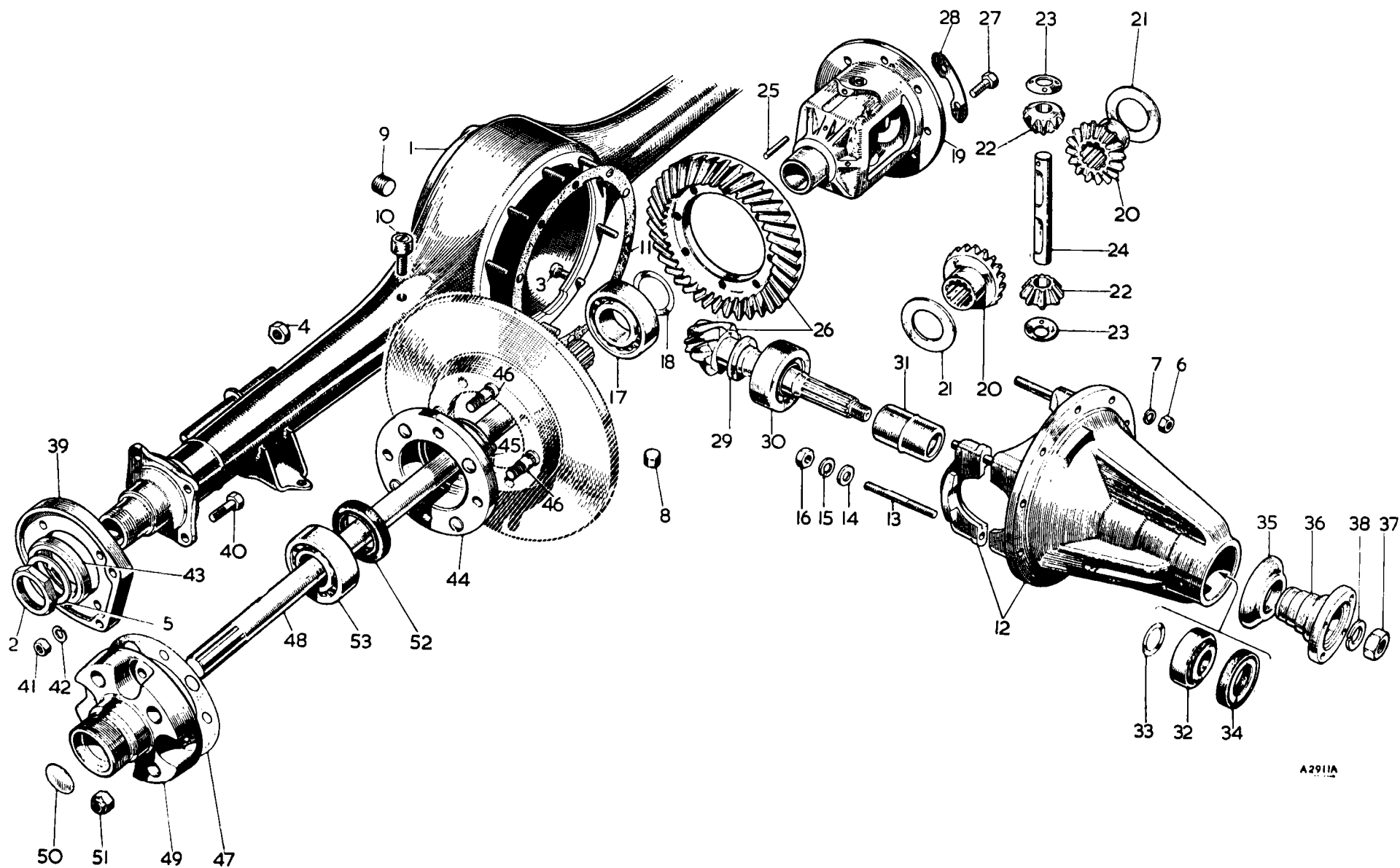


A2911A

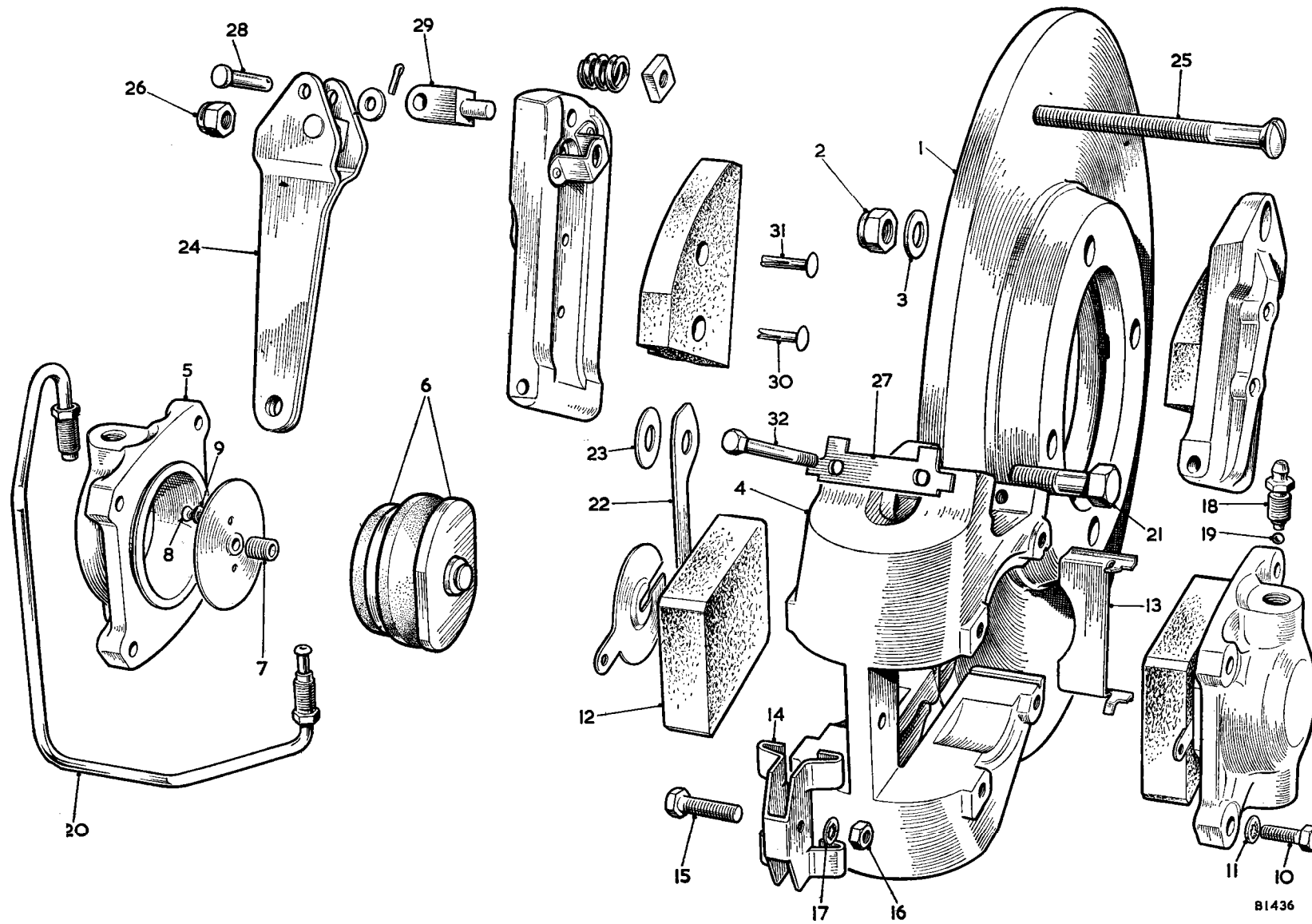
SERVICE PARTS LIST

THE MGA 1600

Item No.	DESCRIPTION	Commencing (C) 68851		Quantity	MODIFICATIONS		REMARKS
		Part Number	Illus. No.		New Part Number	Change Point	
	Rear Axle—All Round Disc Brakes Model—continued						
1	Plate—adaptor—R/H		39	1	ATB7256] Com. (C) 01240	
2	Plate—adaptor—L/H			1	ATB7257		
3	Bolt—adaptor plate to axle case		40	8	ATB7258		
4	Nut—bolt		41	8	FNZ106		
5	Washer—spring—nut		42	8	LWZ206		
6	Cover—dust		43	2	ATB7269		
7	Housing assembly—bearing		44	2	ATB7246		
8	Stud—disc plate to housing		45	8	ATB7248		
9	Stud—extension to housing		46	8	ATB7249		
10	Gasket—hub extension		47	2	BTB252		
11	Shaft—axle		48	2	BTB153		
12	Hub extension—R/H		49	1	ATB7252		
13	Hub extension—L/H			1	ATB7253		
14	Plug—welch		50	2	2K8160		
15	Nut—pinnacle		51	8	ATB7268		
16	Seal—oil		52	2	8G555		
17	Bearing—hub		53	2	2K7477		



A2911A



B1436

Item No.	DESCRIPTION	Commencing (C) 68851		Quantity	MODIFICATIONS		REMARKS
		Part Number	Illus. No.		New Part Number	Change Point	
REAR BRAKES							
ALL ROUND DISC BRAKES MODEL							
1	Disc brake		1	2	ATB7254	Com. (C) 02140	
2	Nut—pinnacle—disc to housing		2	8	ATB7265		
3	Washer—plain—nut		3	8	PWZ106		
4	Calliper unit assembly—R/H			1	7H8258		
5	Calliper unit assembly—L/H			1	7H8259		
6	Calliper—R/H		4	1	7H8263		
7	Calliper—L/H			1	7H8262		
8	Cylinder assembly		5	4	7H8253		
9	Piston assembly		6	4	7H8260		
10	Bush—retractor		7	4	7H8212		
11	Screw—plate to piston		8	8	AJD4802N		
12	Washer—shakeproof—screw		9	8	7H8222		
13	Bolt—cylinder to calliper		10	16	7H8206		
14	Washer—shakeproof—bolt		11	16	LWN404		Part No. change; was 7H8207
	Pad assembly—friction		12	4	7H8201		Not available; use 8G8003
15	Pad assembly—friction		12	1 set	8G8003		
16	Plate—support		13	4	7H8202		
17	Plate—keep		14	2	7H8203		
18	Bolt—keep plate		15	2	HZS0407		
19	Nut for bolt		16	2	FNZ104		
20	Washer—shakeproof—nut		17	2	LWN404		Part No. change was 7H8207
21	Screw—bleed		18	2	7H8252		
22	Ball—bleed screw		19	2	BLS106		
23	Pipe—bridge—R/H		20	1	7H8254		
24	Pipe—bridge—L/H			1	7H8255		
25	Bolt—calliper to adaptor plate		21	4	ATB4247		
26	Plate—lock		22	2	ATB7259		
27	Shim—calliper to adaptor plate .003" (.076 mm.)		23	A/R	ATB7262		
28	Shim—calliper to adaptor plate .005" (.127 mm.)			A/R	ATB7263		
29	Shim—calliper to adaptor plate .020" (.508 mm.)			A/R	ATB7264		
30	Brake assembly—hand—R/H			1	7H8239		
31	Brake assembly—hand—L/H			1	7H8247		
32	Lever assembly—operating		24	2	7H8240		
33	Bolt—lever to carrier		25	2	7H8241		
34	Nut—self-locking		26	2	LNZ105		Part No. change; was 7H8242
35	Washer—tab		27	2	7H8243		
36	Pin—clevis		28	2	7H8244		
37	Scat—pivot		29	2	7H8246		
38	Rivet—bifurcated—short		30	4	BRP014		Part No. change; was 7H8250
39	Rivet—bifurcated—long		31	4	BRP016		Part No. change; was 7H8251
40	Bolt—pad carrier to calliper unit		32	4	7H8245		
41							

SERVICE PARTS LIST

THE MGA 1600

Item No.	DESCRIPTION	Commencing (C) 68851		Quantity	MODIFICATIONS		REMARKS
		Part Number	Illus. No.		New Part Number	Change Point	
	REAR SPRING						
1	Spring assembly	AHH5461		2			
2	Leaf—main	AHH5462	1	2			
3	Bush	AHH5015	2	2			
4	Leaf—second	AHH5464	3	2			
5	Bolt—locating	AHH5042	9	2			
6	Nut—bolt	FNZ105	10	2			
7	Locknut—bolt	FNZ205	11	2			
8	Distance piece—bolt	ACA5000	12	2			
9	Clip—third leaf	AHH5467	13	4			
10	Clip—fourth leaf	AHH5470	14	4			
11	Plate—shackle and pins	AHH5018	15	2			
12	Plate—shackle (inner)	AHH5019	16	2			
13	Bush—shackle plate (rubber)	2A5176	17	8			Part No. change; was AHH5016
14	Nut—shackle plate pin	FNZ106	18	4			
15	Washer—spring—nut	LWZ206	19	4			
16	Clip—U— rear spring	AAA8888	20	4			Part No. change; was 184448
17	Plate—U-clip (top)	AHH5082	21	2			
18	Nut— U-clip	FNZ106	22	16			
19	Plate— spring locating	ACG5001	23	4			
20	Pad— spring seating	ACG5002	24	4			
21	Bolt— spring— front end	AHH5071	25	2			
22	Nut— bolt	FNZ107	26	2			
23	Washer—spring— bolt	LWZ207	27	2			
24	Strap—rebound	AHH5081	28	2			
25	Nut—rebound strap to axle	FNZ106	29	2			
26	Washer—plain—nut	PWZ206	30	2			
27	Washer—spring—nut	LWZ206	31	2			
28	Bump rubber	AHH5106	32	2			
29	Screw—bump rubber to frame	HZS0505	33	4			
30	Washer—spring—screw	LWZ205	34	4			
31	Bracket—shock absorber to rear spring—R/H	AHH5067		1			
32	Bracket—shock absorber to rear spring—L/H	AHH5068	35	1			