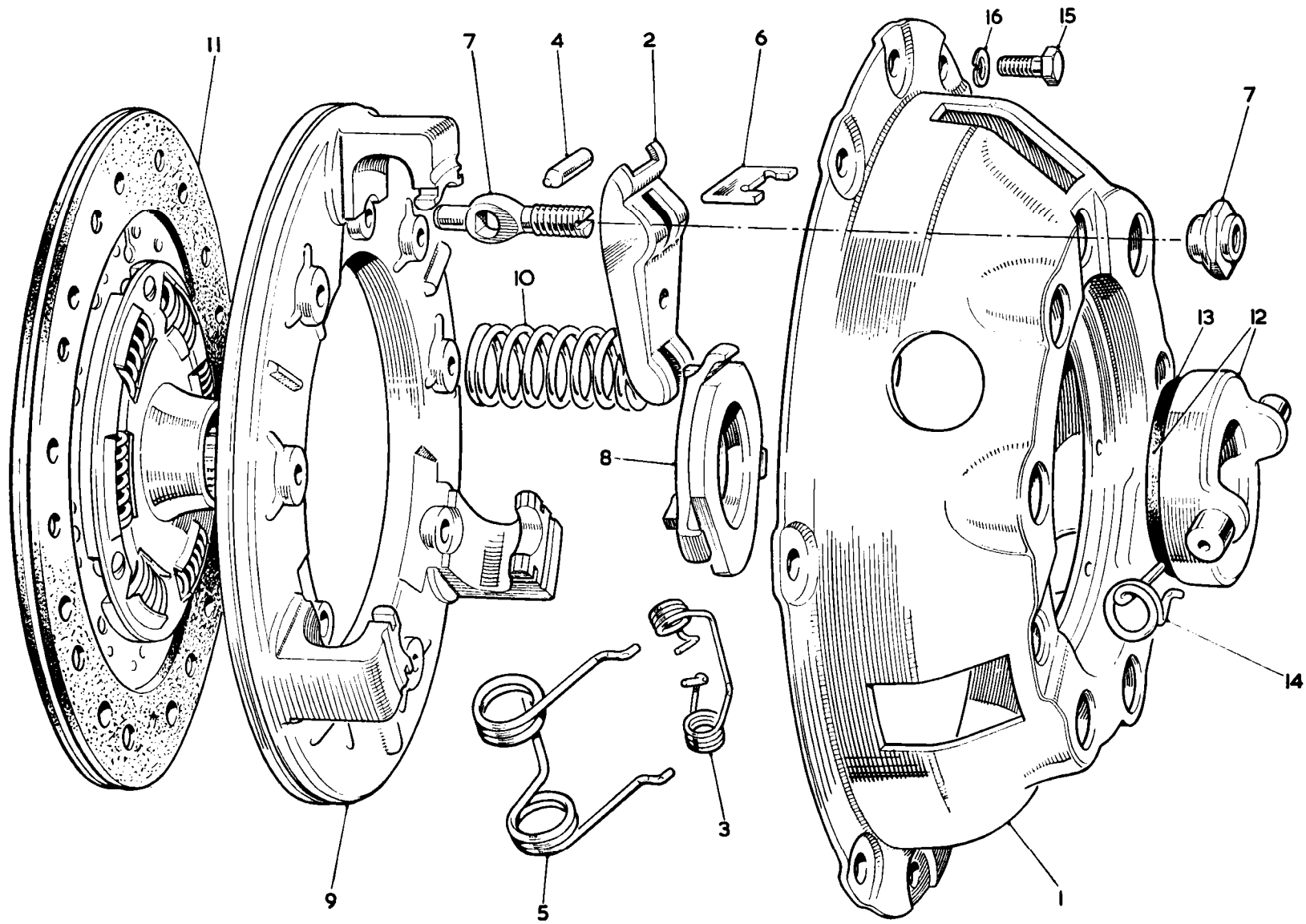
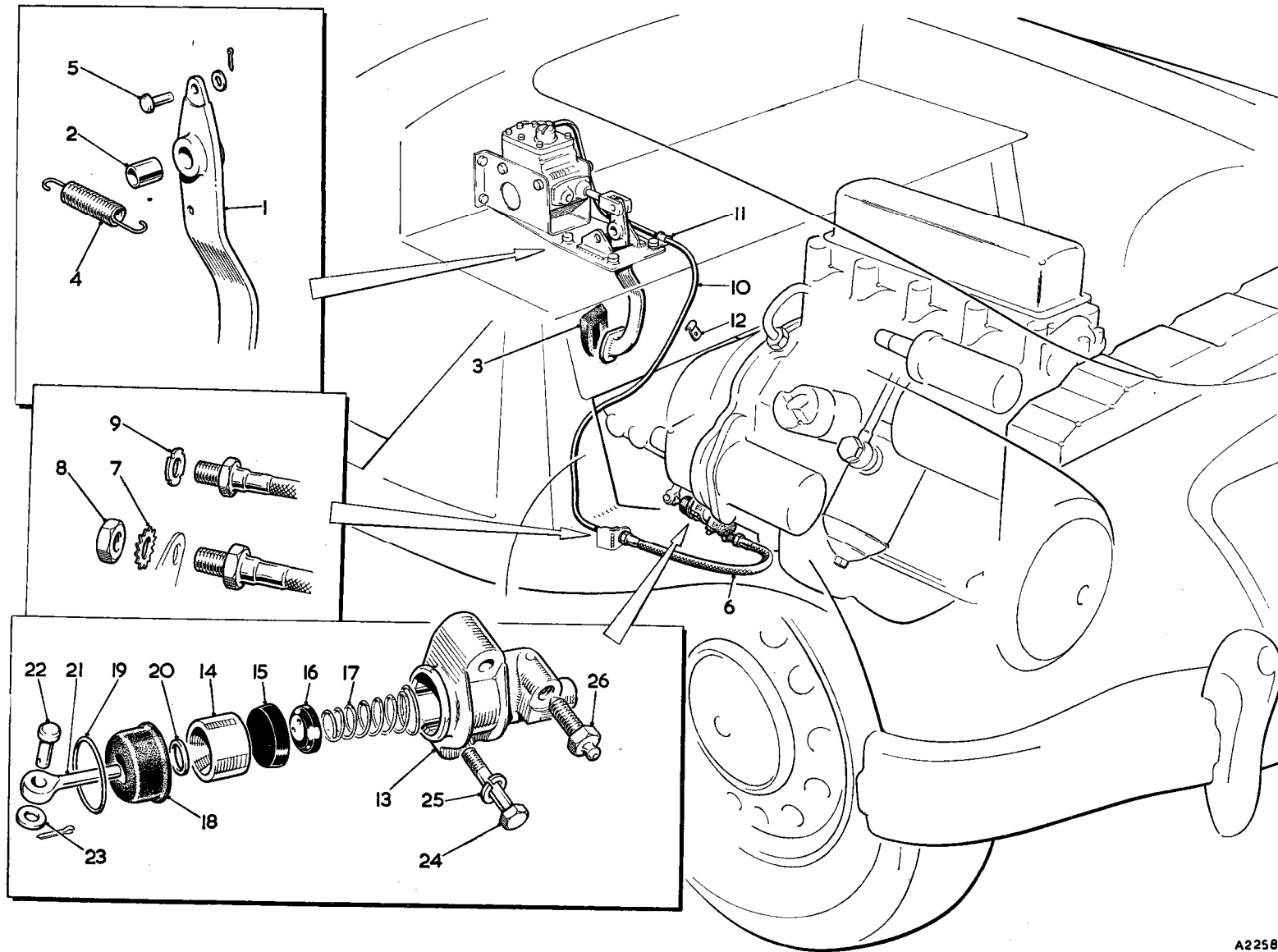


Item No.	DESCRIPTION	Commencing (E) 16GA/H101		Quantity	MODIFICATIONS		REMARKS
		Part Number	Illus. No.		New Part Number	Change Point	
	CLUTCH						
	CLUTCH COMPONENTS						
1	Clutch assembly	N.S.P.					
2	Cover assembly	22H12	1	1			Part No. change was 27H3145
3	Lever—release	7H3196	2	3			
4	Retainer—release lever	7G3001	3	3			
5	Pin—release lever	7H3067	4	3			
6	Spring—anti-rattle	7H3171	5	3			
7	Strut—release lever	7H3069	6	3			
8	Eyebolt	7H3197	7	3			
9	Nut	7H3193	8	3	17H2724		7H3193 not available; use 17H2724
10	Plate—release lever	7H3213	8	1			
11	Plate—pressure	7H3085	9	1			
12	Spring—thrust (light grey)	7H3169	10	6			
13	Plate assembly—driven	22H14	11	1			
				1	12H579] Fin. (E) 16GC/H3928 (less 3854) Com. (E) 16GC/H3929 plus 3854	Part No. change; was 27H3244
				1	13H2020		Not available, use 13H2020
14	Lining and rivets	8G8848		1 set			
15	Rivet	7H3078		22			
16	Bearing assembly—release	7H3214	12	1			
17	Ring—carbon	7H3277	13	1			
18	Retainer—bearing	7H3048	14	2			
19	Screw—clutch to flywheel	HZS0507	15	6			
20	Washer—spring—screw	LWN305	16	6			2K5319 not available; use LWN305



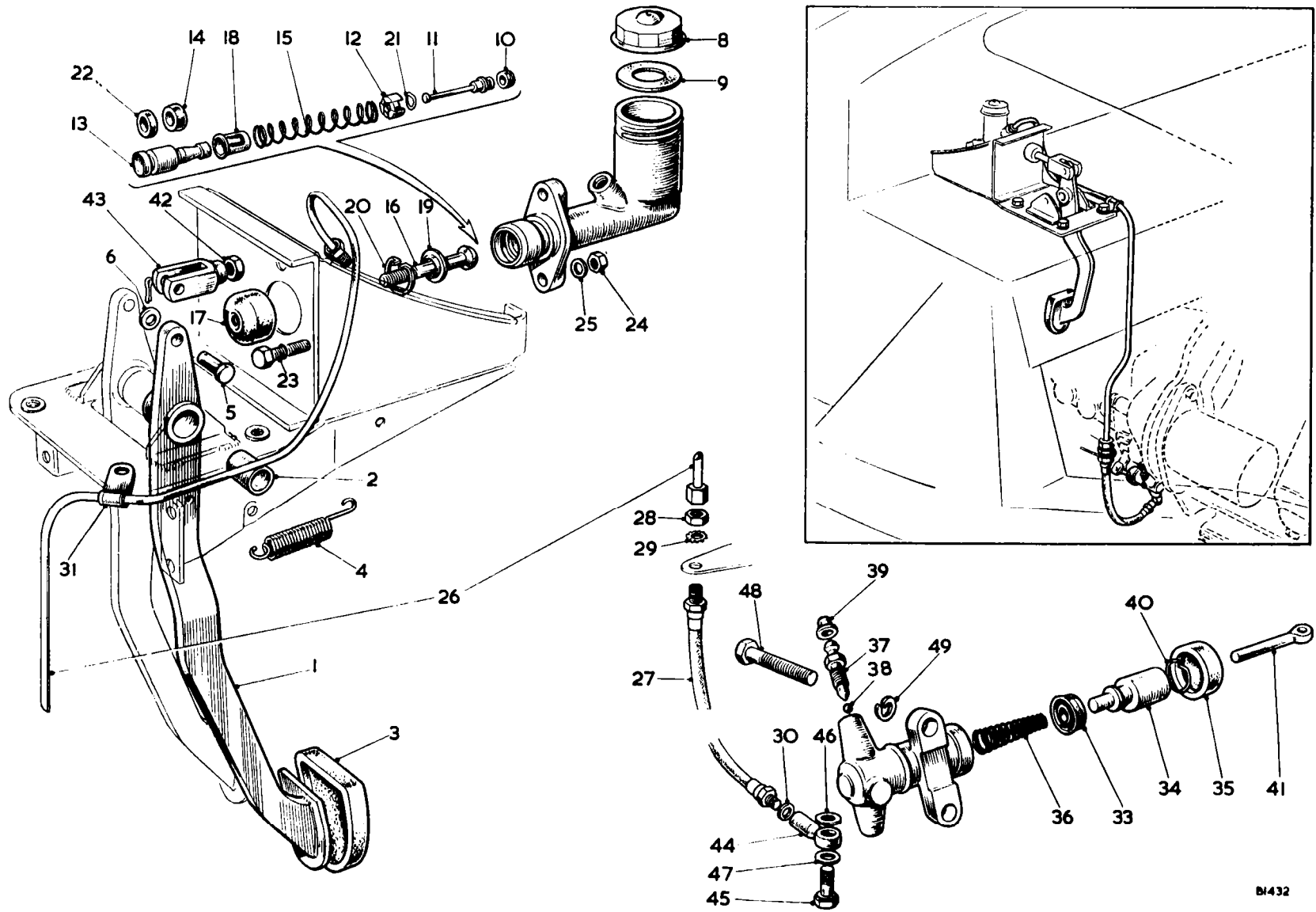
A2141B



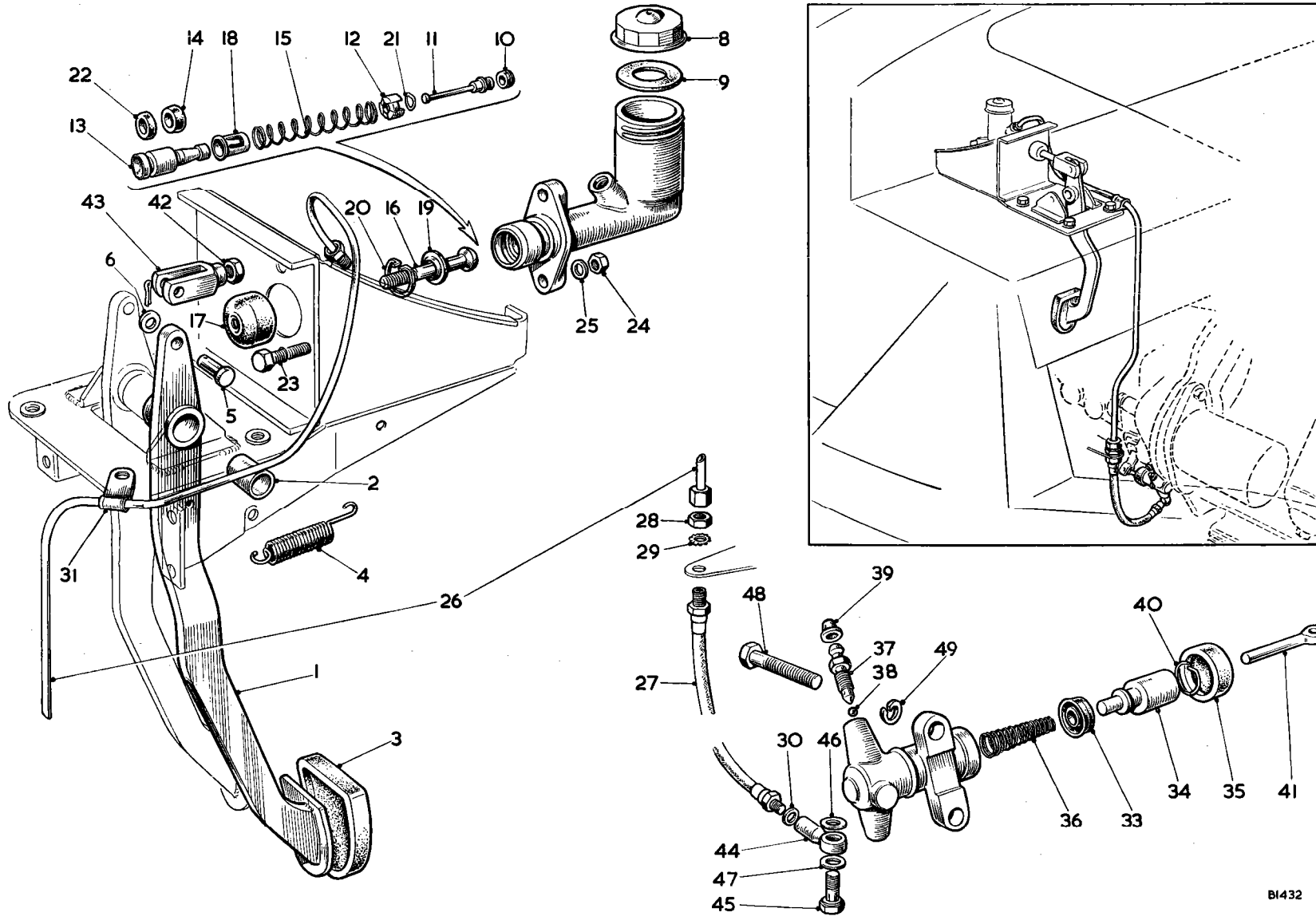
A2258B

Item No.	DESCRIPTION	Commencing (C) 68851		Quantity	MODIFICATIONS		REMARKS
		Part Number	Illus. No.		New Part Number	Change Point	
	CLUTCH CONTROLS STANDARD MODEL CLUTCH PEDAL AND LINKAGE						
1	Pedal—clutch R.H.D.	AHH5841	1	1			
2	Pedal—clutch L.H.D.	AHH5842		1			
3	Bush	AAA4129	2	1			Part No. change; was 185794
4	Pad—pedal (rubber)	AHH5100	3	1			
5	Spring—pull off—pedal	AAA1628	4	1			Part No. change; was 180154
6	Pin—clevis—clutch pedal	CLZ0512	5	1			
7	Hose—clutch	ACC5509	6	1			Part No. change; was 7H7857
8	Washer hose.....	LWN510	7	1			
9	Locknut hose	2K8686	8	1			
10	Joint—clutch hose	3H550	9	1			
11	Pipe—master cylinder to clutch hose R.H.D.	AJD276	10	1			
12	Pipe—master cylinder to clutch hose L.H.D.	AJD118		1			
13	Clip pipe	PCR0411	11	1			
14	Clip—pipe to bulkhead L.H.D.	PCR0400	12	2			
	MASTER CYLINDER ASSEMBLY						
15	Cylinder assembly—clutch master.....						See Page M.3.
	CLUTCH OPERATING CYLINDER						
16	Cylinder assembly	7117974		1			Not available; use BMK192 with rod 13H21
17	Cylinder assembly	BMK192		1			
18	Body	7H7983	13	1			
19	Piston	7H7003	14	1			
20	Cup—piston	7H7004	15	1			
21	Filler—piston cup	7H7560	16	1			
22	Spring—cup filler	7H7959	17	1			
23	Boot	7H7957	18	1			
24	Clip—boot (large)	7H7956	19	1			
25	Clip—boot (small)	7H7958	20	1			
26	Rod—push	7H7954	21	1	131121		7117954 not available; use 131121
27	Pin—clevis—cylinder to clutch fork	CLZ0517	22	1			
28	Washer—plain—clevis pin	PWZ105	23	1			
29	Bolt—cylinder to gearbox	HCZ0615	24	2			Part No. change; was ACH8483
30	Washer—spring—bolt	LWZ206	25	2			
31	Screw—bleeder	3H554	26	1			
32	Kit—clutch operating cylinder repair	8G8420		1			Part No. change; was 17117052
33	Cup—piston			1			
34	Boot			1			

Item No.	DESCRIPTION	Commencing (C) 68851		Quantity	MODIFICATIONS		REMARKS	
		Part Number	Illus. No.		New Part Number	Change Point		
CLUTCH CONTROLS ALL ROUND DISC BRAKES MODEL CLUTCH PEDAL AND LINKAGE								
1	Pedal—clutch	R.H.D.	1	1	AHH5694			
2	Pedal—clutch	L.H.D.		1	AHH5696			
3	Bush		2	1	AAA4129		Part No. change; was 185794	
4	Pad—pedal (rubber)		3	1	AHH5100			
5	Spring—pull off—pedal		4	1	AAA1628		Part No. change; was 180154	
6	Pin—clevis		5	1	CLZ0515			
7	Washer—plain—pin		6	1	PWZ105			
8	Hose—clutch		27	1	11B5086			
9	Washer—hose		29	1	LWN606			
10	Locknut—hose		28	1	FNN206		Part No. change; was BCA4092	
11	Joint—clutch hose		30	1	3H876			
12	Pipe—master cylinder to clutch hose	R.H.D.	26	1	AHH5822			
13	Pipe—master cylinder to clutch hose	L.H.D.		1	AHH5824			
14	Clip pipe		31	1	PCR0411			
15	Clip—pipe to bulkhead	L.H.D.		2	PCR0409			
16	Clip—pipe to master cylinder base plate			1	PCR0811			
CLUTCH MASTER CYLINDER								
17	Cylinder assembly—clutch master			1	BHA4072			
18	Body			1	N.S.P.			
19	Cap—filler		8	1	17H4508	Com. (C) 91240		
20	Gasket		9	1	7H4726			
21	Seal—valve		10	1	17H4561			
22	Stem—valve		11	1	7H4751			
23	Spacer—valve		12	1	17H4182			
24	Plunger		13	1	17H4510 17H4755			Not available; use 17H4755 Not available; use 17H8113 together with 10FF 17H8112 seal
25	Seal—plunger		14	1	17H8113 7H4976			For use with 17H4510 and 17H4755 For use with 17H8113
26	Spring		15	1	17H8112 7H4944			
27	Push rod		16	1	17H4544			
28	Cover—dust		17	1	7H4757			
29	Retainer—spring		18	1	17H4827			
30	Washer—retaining		19	1	7H4756			
31	Circlip		20	1	7H4451			
32	Washer—spring		21	1	7H4752			
33	Seal—taper end		22	1	17H4509			



BI432



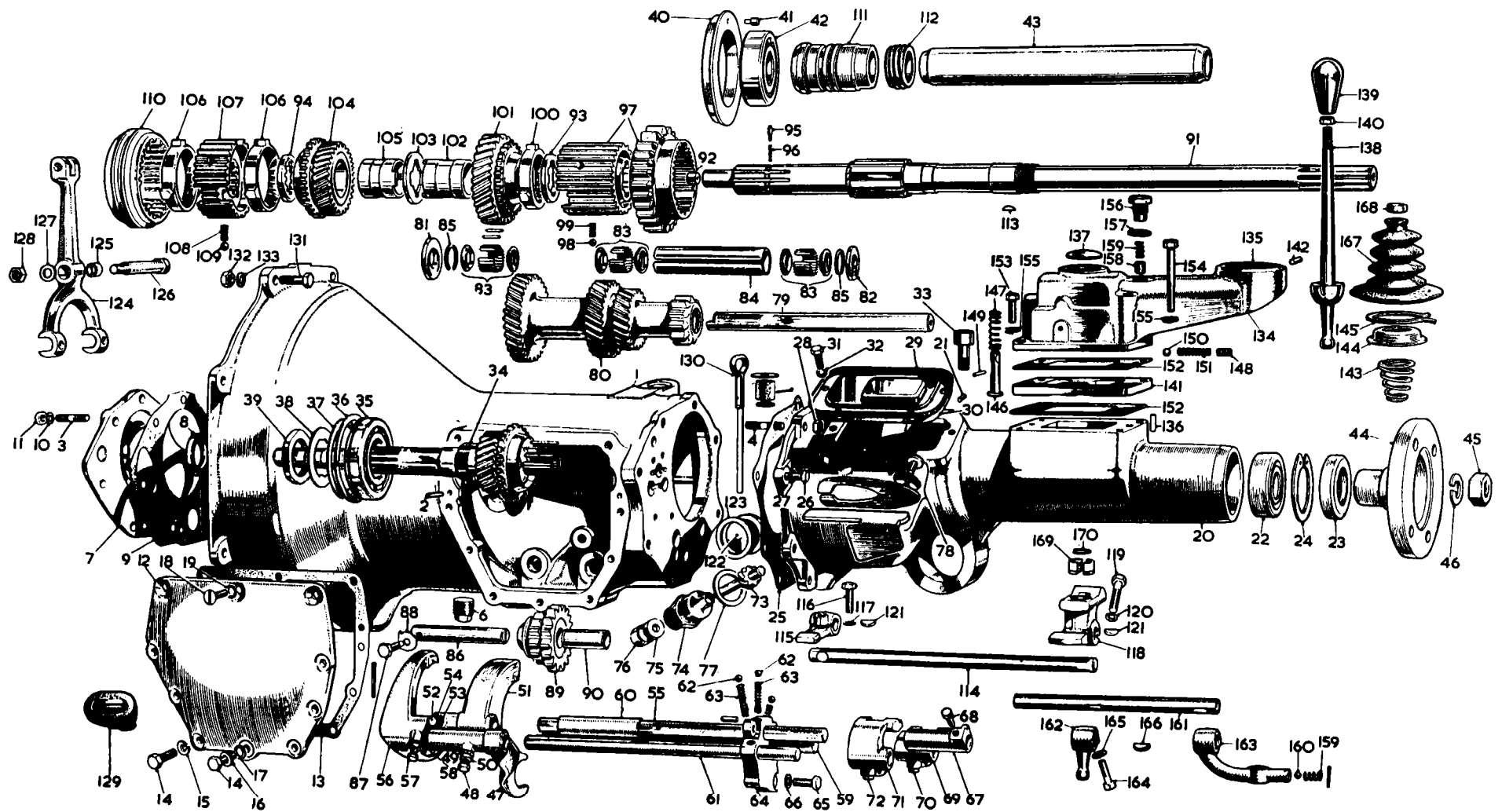
BI432

Item No.	DESCRIPTION	Commencing (C) 68851		Quantity	MODIFICATIONS		REMARKS
		Part Number	Illus. No.		New Part Number	Change Point	
	Clutch Controls—All Round Disc Brakes Model—continued						
	Clutch Master Cylinder—continued						
1	Bolt fixing cylinder.....		23	2	HZS0510	Com. (C) 91240	
2	Nut—bolt.....		24	2	LNZ205		
3	Washer—plain—nut.....		25	2	PWZ105		
4	Fork end—master cylinder push rod.....		43	1	FEZ105		
5	Locknut—end.....		42	1	FNZ205		
6	Kit—clutch master cylinder repair			1	8G8219		
7	Gasket—filler cap.....			1			
8	Seal—valve.....			1			
9	Seal—plunger.....			1			
10	Cover—dust.....			1			
11	Circlip.....			1			
12	Washer—spring.....			1			
13	Seal—taper end.....			1			
14	Grease—tube.....			1			
	CLUTCH OPERATING CYLINDER						
15	Cylinder assembly			1	BHA4073		
16	Body.....			1	N.S.P.		
17	Seal.....		33	1	17H4712		
18	Plunger.....		34	1	N.S.P.		
19	Cover—dust.....		35	1	17H4010		
20	Spring.....		36	1	7H4970		
21	Screw—bleed.....		37	1	7H4973		
22	Ball—bleed screw.....		38	1	BLS106		Part No. change; was 7H4030
23	Cap—bleed screw dust.....		39	1	7H4419		
24	Circlip.....		40	1	17H4011		
25	Rod—push.....		41	1	1B3701		
26	Pin—clevis—cylinder to clutch fork.....			1	CLZ0517		
27	Washer—plain—clevis pin.....			1	PWZ105		
28	Bolt—cylinder to gearbox.....		48	2	AHH5762		
29	Washer—spring bolt.....		49	2	LWZ206		
30	Banjo.....		44	1	3H808		
31	Bolt—banjo.....		45	1	13H1984		Part No. change; was 2H5276
32	Gasket—banjo.....		47	1	2H4810		Part No. change; was 17H4179
33	Gasket—banjo.....		46	1	17H4021		
34	Kit—clutch operating cylinder repair			1	8G8249		
35	Seal.....			1			
36	Cover—dust.....			1			
37	Ball—bleed screw.....			1			
38	Cap—bleed screw dust.....			1			
39	Circlip.....			1			

SERVICE PARTS LIST

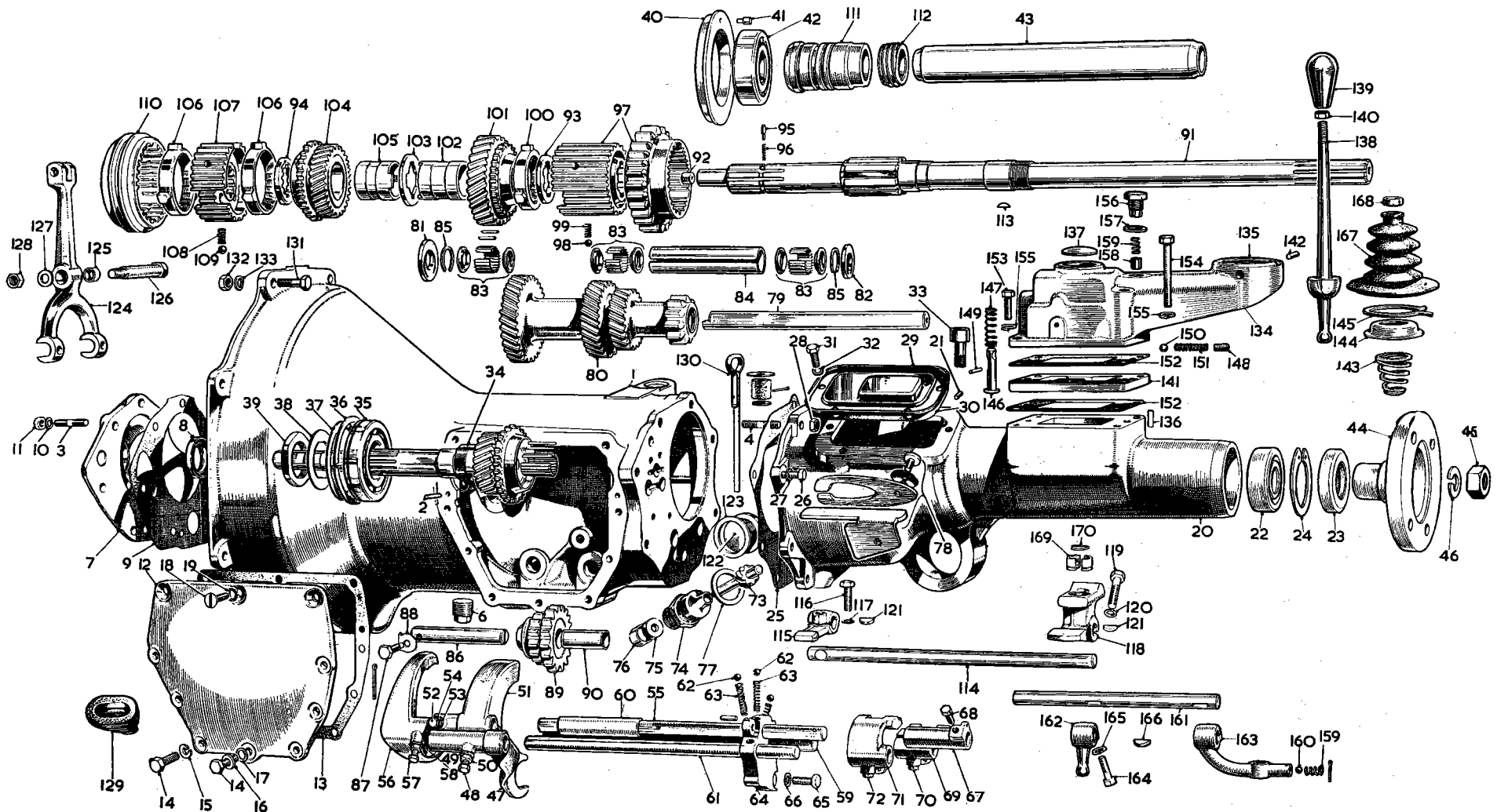
THE MGA 1600

Item No.	DESCRIPTION	Commencing (E) 16GA/H101		Quantity	MODIFICATIONS		REMARKS
		Part Number	Illus. No.		New Part Number	Change Point	
	GEARBOX						
1	Gearbox assembly	1H3362		1	22H73 22H124	Com. (E) 16GC/H101 Com. (E) 16GC/H3929, also 3854	
2	Casing assembly	48G127	1	1	48G129 48G252	Com. (E) 16GC/H101 Com (E) 16GC/H4748, also 4722 to 4725, 4730, 4731, 4733, 4735 to 4739	Not available; use 48G252
3	Dowel—locating block to gearbox	AEG3108	2	2			
4	Stud—front cover	53K2172	3	7			
5	Stud—rear extension	CHS2513	4	2			
6	Plug—drain	2K5830	6	1			
7	Plug—casing—welch	2K8158				Fin. (E) 16GA/U/H31660	
8	Cover assembly—front	1H3147	7	1	48G179	Com. (E) 16GA/U/H12834	1H3147 not available; use 48G179
9	Oil seal	1H3138	8	1	22H475		1H3138 not available; use 22H475
10	Joint washer—front cover to casing	1G3666	9	1			
11	Washer—spring—stud—front cover to casing	LWZ305	10	7			
12	Nut—front cover stud	FNZ105	11	7			
13	Cover—gearbox side	1G3656	12	1			
14	Joint washer—side cover to casing	1G3658	13	1			
15	Screw—gearbox side cover	53K147	14	7			
16	Washer—spring—screw	LWZ305	15	6			
17	Washer—plain—screw	PWZ105	16	1			
18	Washer—fibre—screw	2K4958	17	1			
19	Screw—gearbox side cover (countersunk)	53K162	18	3			
20	Washer—shakeproof—countersunk screw	6K9012	19	3			
21	Extension—rear	1H3273	20	1			
22	Plug—taper—rear extension	2K1356	21	2			
23	Bearing—rear extension	6K529	22	1			
24	Oil seal—rear extension	1H3275	23	1			
25	Circlip—oil seal	CCN240	24	1			
26	Joint washer—extension to casing	1G3712	25	1			
27	Screw—extension to casing	HCZ0510	26	6			
28	Washer—spring—screw	LWZ305	27	6			
29	Washer—spring—stud	LWZ305		2			
30	Nut—stud—rear extension to casing	FNZ105	28	2			
31	Cover—rear extension—side	1G3809	29	1			
32	Joint washer—side cover to extension	1G3810	30	1			
33	Screw—side cover to extension	HZS0405	31	6			
34	Washer—spring—screw	LWZ304	32	6			
35	Breather assembly	1H3364	33	1			
36	Shaft—1st motion	1G3611	34	1	22H56	Com. (E) 16GC/H3929 also 3854	
37	Bearing	6K885	35	1			
38	Spring ring—bearing	6K886	36	1			



A324 5A

To face page F.1



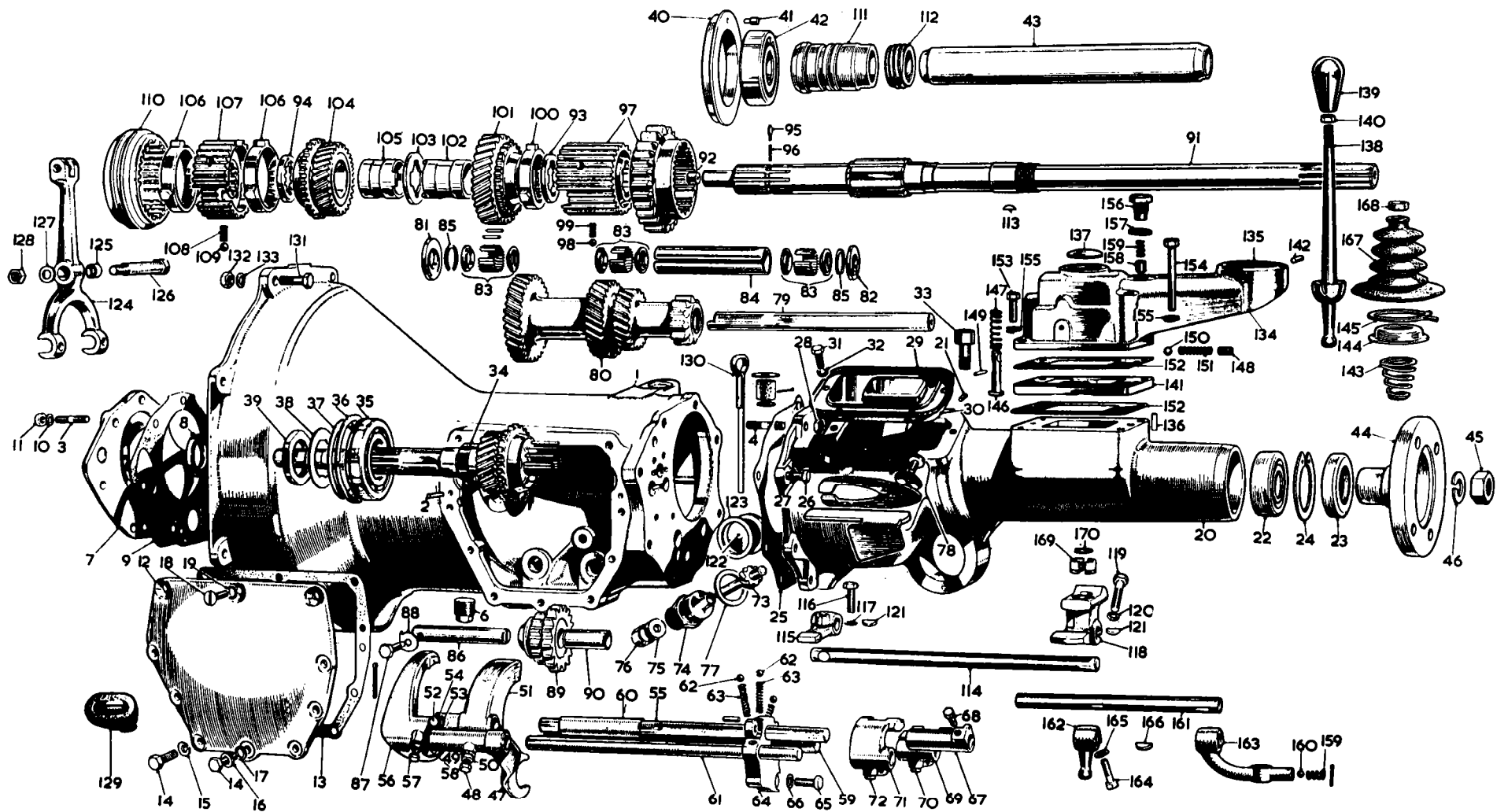
A3245A

SERVICE PARTS LIST

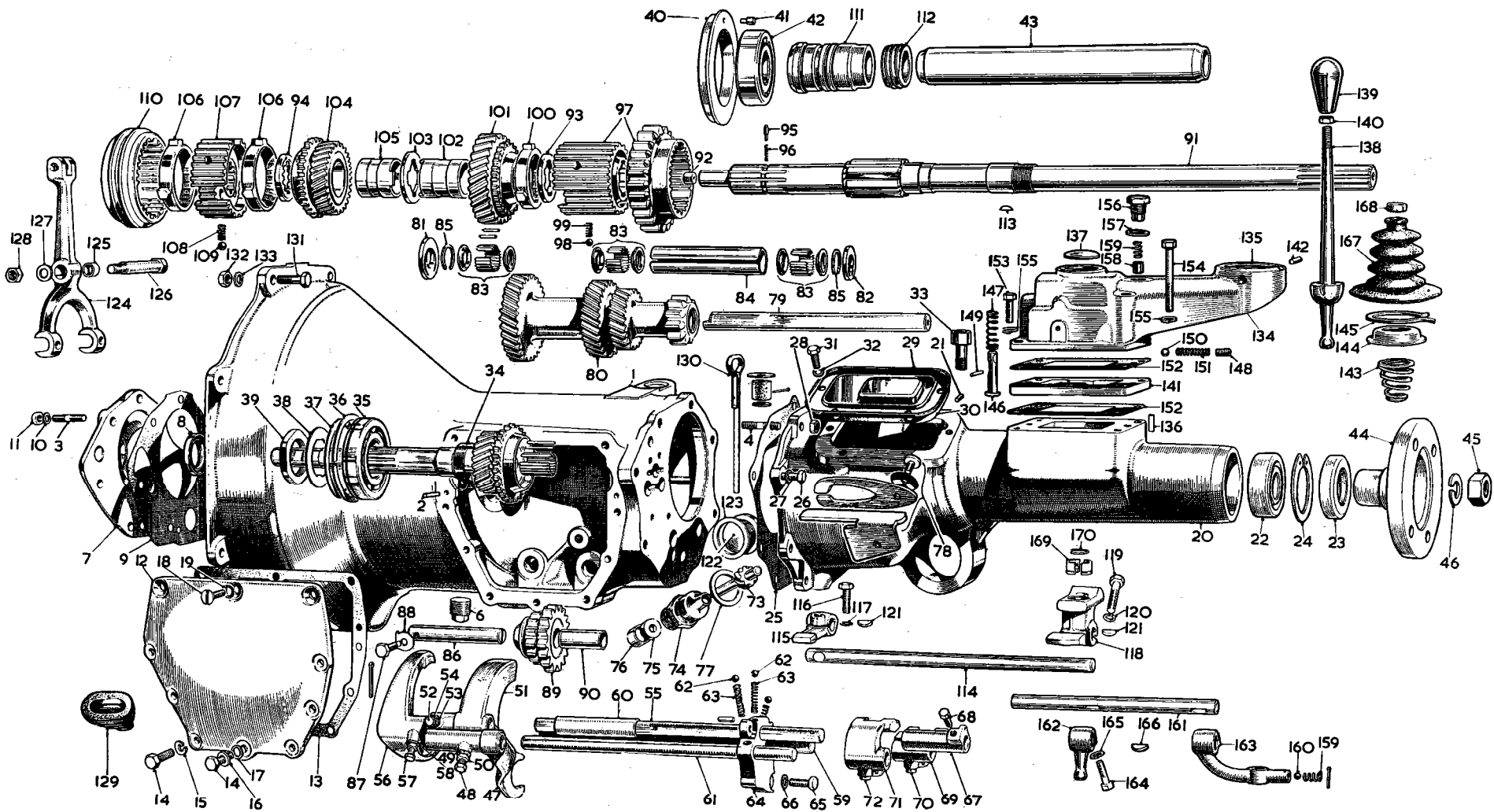
THE MGA 1600

Item No.	DESCRIPTION	Commencing (E) 16GA/H101		Quantity	MODIFICATIONS		REMARKS
		Part Number	Illus. No.		New Part Number	Change Point	
	Gearbox—continued						
1	Shim—1st motion shaft—002"	6K907	37	A/R			
2	Shim—1st motion shaft—004"	6K908		A/R			
3	Needle roller—1st motion shaft	8G2404	18				Part No. change; was 6K892
4	Washer—1st motion shaft nut (locking)	1A3717	38	1			
5	Nut—1st motion shaft	1G3584	30	1			
6	Housing—rear bearing	1G3586	40	1			
7	Peg—locating—rear bearing housing	1G3530	41	1			
8	Bearing—rear—3rd motion shaft	6K528	42	1			
9	Distance piece assembly—speedometer gear to rear bearing	AEH3242	43	1			
10	Flange—3rd motion shaft	1H3304	44	1			
11	Nut—3rd motion shaft flange	FNZ612	45	1			
12	Washer—spring—nut	LWZ212	46	1			
13	Fork—reverse	11G3134	47	1			
14	Screw—reverse fork locating	2A3141	48	1			
15	Washer—shakeproof—screw	LWN404	49	1			Part No. change; was LWN604
16	Nut—fork locating screw	FNN504	50	1			
17	Fork—1st and 2nd speed	11G3135	51	1			
18	Screw—fork locating	2A3141	52	1			
19	Washer—shakeproof—screw	LWN404	53	1			Part No. change; was LWN604
20	Nut—fork locating screw	FNN504	54	1			
21	Rod—1st and 2nd speed fork	11G3079	55	1			
22	Fork—3rd and 4th speed	1H3257	56	1			
23	Screw—fork locating	2A3141	57	1			
24	Washer—shakeproof—screw	LWN404	58	1			Part No. change; was LWN604
25	Rod—3rd and 4th speed fork	11G3140	59	1			
26	Distance piece—3rd and 4th speed fork rod	1H3258	60	1			
27	Rod—reverse fork	11G3137	61	1			
28	Ball—fork locating	BLS110	62	3			
29	Spring—locating ball	22A75	63	3			
30	Block—sliding shaft locating	11G3187	64	1			
31	Screw—locating block to gearbox	HNS0407	65	2			
32	Washer—spring—screw	LWN304	66	2			
33	Selector—1st and 2nd gear	11G3132	67	1			
34	Screw—selector locating	1G3708	68	1			
35	Selector—3rd and 4th gear	11G3133	69	1			
36	Screw—selector locating	1G3708	70	1			
37	Selector—reverse gear	11G3131	71	1			
38	Screw—selector locating	1G3708	72	1			
39	Pinion—speedometer	1H3241	73	1			
40	Bush—speedometer pinion	2A3256	74	1			
41	Seal—oil—speedometer pinion	2A3254	75	1			
42	Ring—oil seal retaining	2A3255	76	1			
43	Joint washer—speedometer pinion bush	88G208	77	1			Part No. change; was 51K3169
44	Arm assembly—interlocking	1H3092	78	1	22H135	Com. (G) 22729	1H3092 not available; use 22H35

Item No.	DESCRIPTION	Commencing (E) 16GA/H101		Quantity	MODIFICATIONS		REMARKS
		Part Number	Illus. No.		New Part Number	Change Point	
	Gearbox—continued						
1	Layshaft	1H3805	79	1			
2	Gear unit—layshaft	11G3024	80	1	22H54		11G3024 not available; use 22H54
3	Washer—thrust—front—laygear	1G3576	81	A/R] Alternatives
4	Washer—thrust—rear .154" to .156" (3-912 to 3-962 mm.)	1G3577	82	A/R			
5	Washer—thrust—rear .157" to .158" (3-988 to 4-013 mm.)	1G3578		A/R			
6	Washer—thrust—rear .160" to .161" (4-06 to 4-085 mm.)	1G3579		A/R			
7	Washer—thrust—rear .163" to .164" (4-136 to 4-162 mm.)	1G3580		A/R			
8	Roller—needle bearing—layshaft	3H2865	83	3			
9	Tube—distance—laygear bearing	11G3026	84	1			
10	Ring—spring—layshaft	11G3027	85	4			
11	Shaft—reverse	88C258	86	1			Part No. change was 11G3124 and 11G3093
12	Screw—reverse shaft	1G3581	87	1			
13	Washer—locking—screw	1B3863	88	1			
14	Gear assembly—reverse	11G3090	89	1	22H51 22H83	Com. (E) 16GC/H5403	Not available; use 22H83
15	Bush—reverse gear	11G3092	90	1			
16	Shaft—3rd motion	1H3277	91	1			
17	Restrictor—oil	1A1964	92	1			
18	Washer—thrust—3rd motion shaft—rear	1G3492	93	1			
19	Washer—thrust—front .1565" to .1575" (3-962 to 3-988 mm.)	11G3127	94	A/R			
20	Washer—thrust—front .1585" to .1595" (4-013 to 4-039 mm.)	11G3128		A/R			
21	Washer—thrust—front .1605" to .1615" (4-06 to 4-085 mm.)	11G3129		A/R			
22	Peg—thrust washer	1G3268	95	1			
23	Spring—peg	2K8960	96	1			
24	First speed wheel and synchronizer assembly	48G137	97	1	48G206		48G137 not available; use 48G206
25	Ball—synchronizer	BLS109	98	3			
26	Spring—synchronizer ball	6K884	99	3			
27	Baulk ring—2nd speed gear	11G3063	100	1			
28	Gear—2nd speed	11G3064	101	1			
29	Bush—2nd speed mainshaft gear	11G3028	102	1			
30	Ring—2nd and 3rd gear bushes—interlocking	1G3331	103	1			
31	Gear—3rd speed	1G3594	104	1			
32	Bush—3rd speed gear	11G3029	105	1			
33	Baulk ring—3rd and 4th speed gear	11G3022	106	2			
34	Synchronizer—3rd and 4th speed	1G3597	107	1			
35	Spring—synchronizer ball	6K884	108	3			
36	Ball—synchronizer	BLS109	109	3			
37	Coupling sliding—3rd and 4th speed	1G3598	110	1			
38	Distance piece—3rd motion shaft	11G3223	111	1			
39	Gear—speedometer	1H3151	112	1			
40	Key—speedometer gear	WKN304	113	1			



A 324 5A



A324 5A

SERVICE PARTS LIST

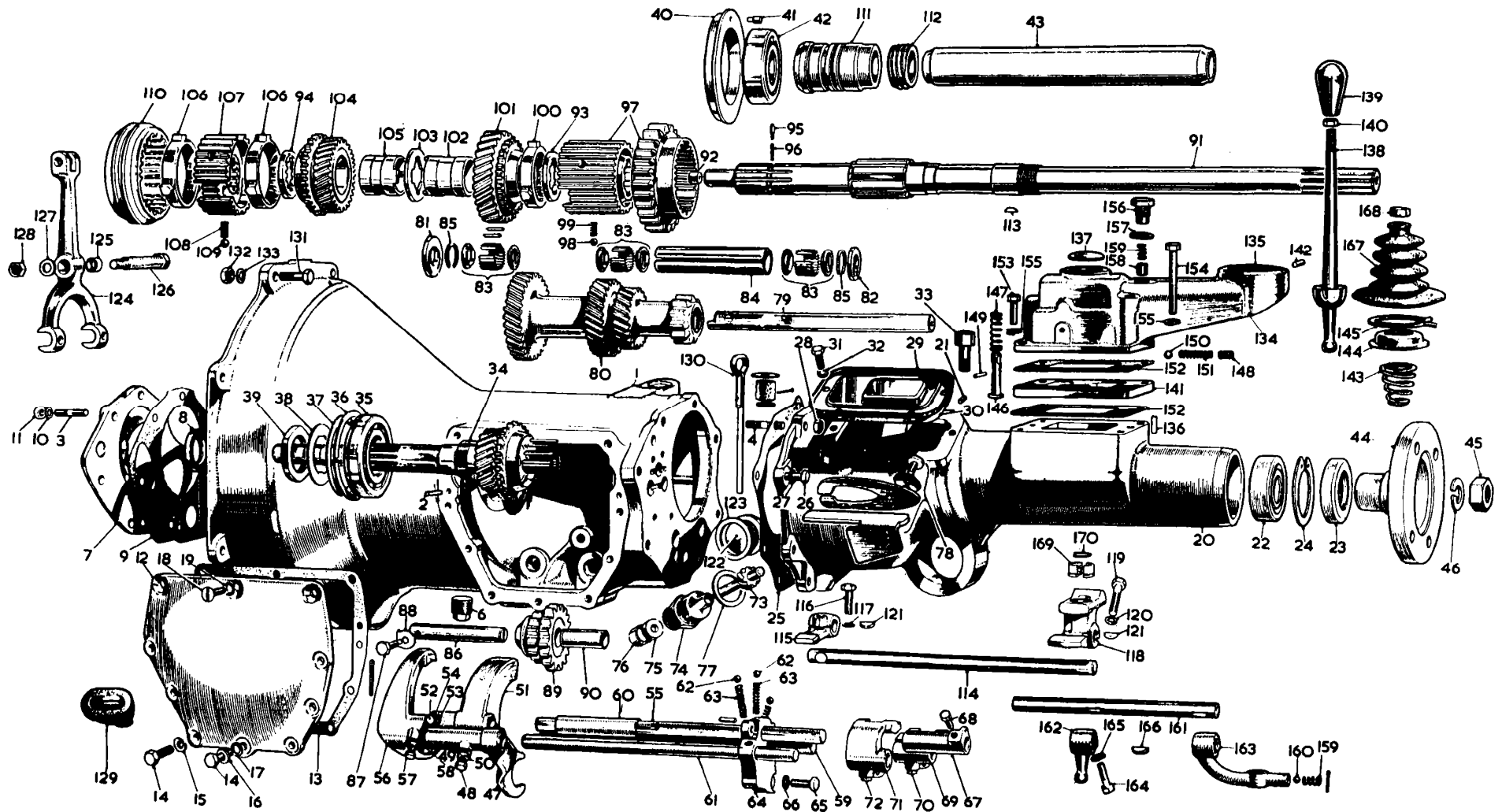
THE MGA 1600

Item No.	DESCRIPTION	Commencing (E) 16GA/H101		Quantity	MODIFICATIONS		REMARKS
		Part Number	Illus. No.		New Part Number	Change Point	
	Gearbox—continued						
1	Shaft—remote control (rear extension)	1H3368	114	1			
2	Lever—selector—front	88G254	115	1			Part No. change; was 1G3680 and 22H24
3	Screw—selector lever—front	51K1030	116	1			
4	Washer—shakeproof—screw	LWN404	117	1			Part No. change; was LWN004
5	Lever—selector—rear	88G253	118	1			Part No. change; was 1H3095 and 22H25
6	Screw—selector lever—rear	51K1031	119	1			
7	Washer—spring—screw	2K5319	120	1			
8	Key—selector lever	WKN404	121	2			
9	Cap—control shaft boss	8G500	122	2			
10	Joint washer—cap	2K4971	123	2			
11	Lever—clutch withdrawal	11G3193	124	1			
12	Bush for withdrawal lever	11G3195	125	1			
13	Bolt—clutch withdrawal lever	11G3196	126	1			
14	Washer—bolt	11G3199	127	1			
15	Nut—bolt (stiff)	LNZ206	128	1			
16	Cover—clutch withdrawal lever (dust)	1G3607	129	1			
17	Oil level indicator—gearbox	1G3802	130	1			
18	Bolt—gearbox to mounting plate	HBZ0510	131	7			Fin. (E) 16GC/114721 except 4721 to 4729, 4732, 4734, 4740 to 4747
19	Bolt—gearbox to mounting plate			1	HBZ0510		Com. (E) 16GC/H4748 also 4722 to 4725, 4730, 4731, 4733, 4735 to 4739
20	Bolt—gearbox to mounting plate			2	HBZ0515		
21	Bolt—gearbox to mounting plate			4	HBZ0520		
22	Nut—bolt	FNZ505	132	7			
23	Washer—spring—nut	LWZ305	133	7			
24	Tower assembly—remote control	AEG3001	134	1			
25	Tower—remote control	AEG3117	135	1			
26	Dowel—remote control tower	AEG3101	136	2			
27	Plug—tower (core)	CA1056	137	1			
28	Lever—change speed	AEG3112	138	1			
29	Knob—change speed lever	1G3706	139	1			
30	Locknut—change speed knob	FNP205	140	1			
31	Stop plate	AEG3118	141	1			
32	Snug—change speed ball	AEG3106	142	2			
33	Spring—change speed lever	AEG3105	143	1			
34	Cover—ball spring	1G3927	144	1			
35	Circlip—ball spring cover	1H3087	145	1			
36	Plunger—reverse selector	AEG3120	146	1			
37	Spring—reverse plunger	1G3863	147	1			
38	Plug—reverse plunger	2K6534	148	1			
39	Dowel—reverse plunger	1G3713	149	1			

SERVICE PARTS LIST

THE MGA 1600

Item No.	DESCRIPTION	Commencing (E) 16GA/H101		Quantity	MODIFICATIONS		REMARKS
		Part Number	Illus. No.		New Part Number	Change Point	
	Gearbox—continued						
1	Ball—reverse plunger	BLS110	150	1			
2	Spring—reverse plunger detent	22A75	151	1			
3	Gasket—control tower	1G3711	152	2			
4	Bolt—tower to extension (short)	HBN0509	153	2			
5	Bolt—tower to extension (long)	HBN0522	154	2			
6	Washer—spring—for bolt	2K5319	155	4	LWN305		2K5319 not available; use LWN305
7	Plug—ball retaining	AEG3113	156	1			
8	Washer—plug	AEG3122	157	1			
9	Plunger	AEG3124	158	1			
10	Spring—plunger	AEG4123	159	2			
11	Ball—selector lever.....	BLS108	160	1			
12	Shaft—remote control (tower)	AEG3114	161	1			
13	Lever—selector—front	AEG3115	162	1			
14	Lever—selector—rear	AEG3116	163	1			
15	Screw—selector lever	HZS0407	164	2			
16	Washer—spring—screw	LWN204	165	2			
17	Key—lever	WKN404	166	2			Part No. change; was JA5732
18	Draught excluder—change speed lever (rubber)	14A1468	167	1			
19	Ring—draught excluder	AHH5388	168	1			
20	Bush—change speed lever	1G3704	169	1			
21	Circlip—bush	1G3709		1			



A3245A