

A08032

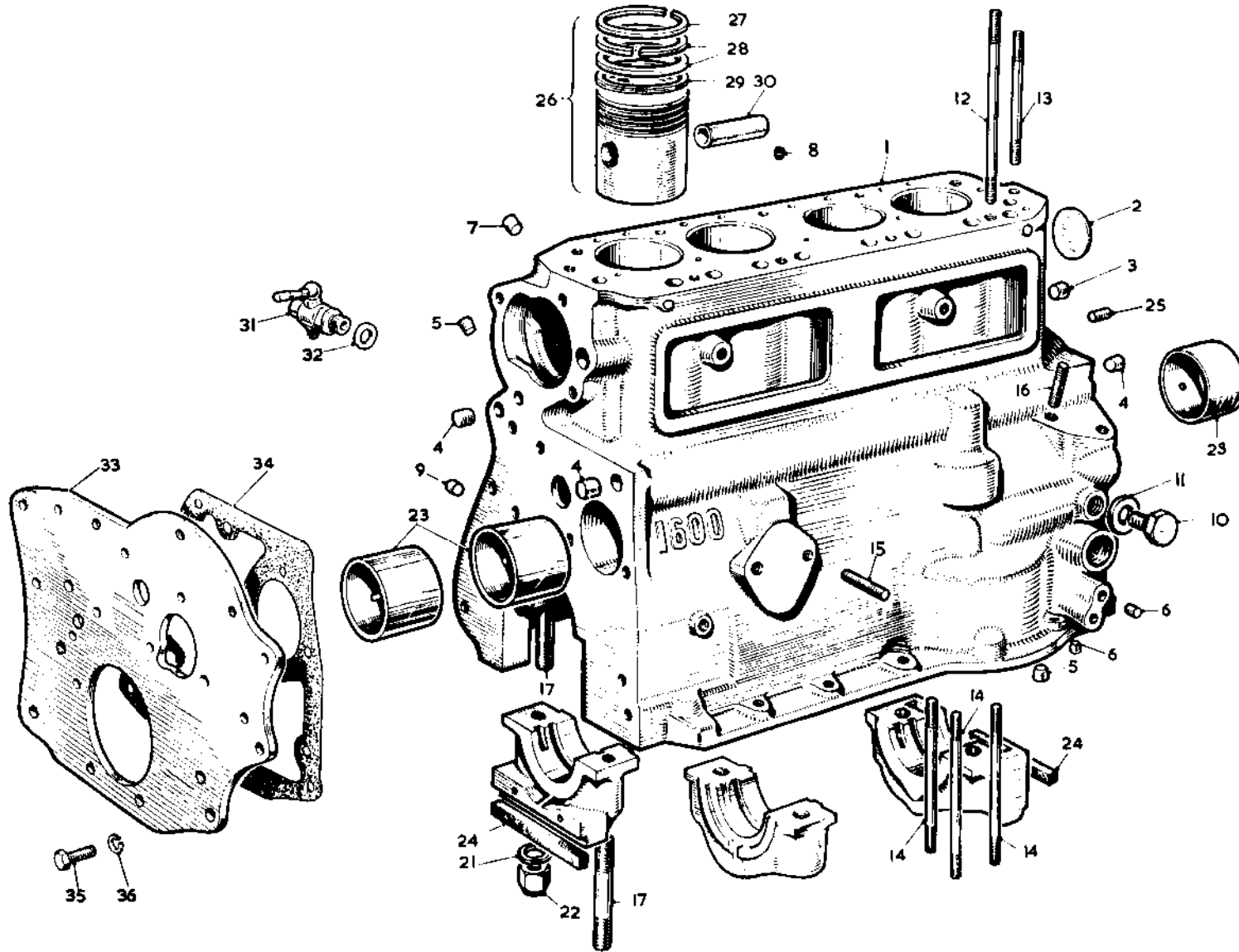
Item No.	DESCRIPTION	Commencing (E) 16GA/H101		Quantity	MODIFICATIONS		REMARKS	
		Part Number	Illus. No.		New Part Number	Change Point		
<b>ENGINE</b>								
<b>ENGINE UNIT</b>								
1	Stripped engine unit	48G157		1		Fin. (E) 16GA/H31060 Com. (J) 16GA/H21805 Fin. (E) 16GA/H31060	48G158 not available use 48G186	
2	Half engine unit	48G158		1	48G186			
3	<b>Cylinder block assembly</b>	48G159		1	1	Fin. (E) 16GA/H31060		
4	Plug (welch)	2K8160		2	4			
5	Plug—oil gallery	1H813		3	1			
6	Plug—oil gallery	2K8023		4	3			
7	Plug—taper—crankcase oil hole	6K874		5	2			
8	Plug—oil relief valve vent hole	6K899		6	2			
9	Plug—oil hole—oil filter boss	11G14		7	1			
10	Plug—oil dipper rod boss	2K4608		8	1			
11	Plug—chain tensioner oil feed	11G14		9	1			
12	Plug—oil hole (screwed)	2K4002		10	1			
13	Washer—screwed plug	6K038		11	1			
14	Stud—cylinder head (long)	51K245		12	4			
15	Stud—cylinder head (short)	51K240		13	7			
16	Stud—oil pump (short)	51K207		14	3			
17	Stud—crankcase vent pipe clip	58K257		15	2			
18	Stud—tachometer drive spindle housing	58K2171		16	2			
19	Stud—main bearing	51K804		17	6			
20	Cap—main bearing (front)	N.S.P.		1	1			
21	Cap—main bearing (centre)	N.S.P.		1	1			
22	Cap—main bearing (rear)	N.S.P.		1	1			
23	Washer—spring—main bearing studs	LWN208		21	6		Part No. change; was 2K5897	
24	Nut—main bearing studs	LNN208		22	6			
25	<b>Liner—camshaft bearing</b>	8G2176		23	1 set			
26	Joint—front and rear main bearing caps	111353		24	2			
27	Dowel—gearbox mounting plate	1G752		25	2		1K51	For 1G752 use 1K51 for this application
28	Piston assembly—standard—grade 3	12H001203		26	4			
29	Piston assembly—standard—grade 6	12H001206		4	4			
30	Piston assembly .010" (.254 mm.) o/s grade 3	12H001213		4	4	12H017813	12H001213 not available; use 12H017813 or 12H017816	
31	Piston assembly .010" (.254 mm.) o/s grade 6			4	4	12H017816		
32	Piston assembly .020" (.508 mm.) o/s grade 3	12H001223		4	4	12H017823	12H001223 not available; use 12H017823 or 12H017826	
33	Piston assembly .020" (.508 mm.) o/s grade 6			4	4	12H017826		
34	Piston assembly .030" (.762 mm.) o/s grade 3	12H001233		4	4	12H017833	12H001233 not available; use 12H017833 or 12H017836	
35	Piston assembly .030" (.762 mm.) o/s grade 6			4	4	12H017836		
36	Piston assembly .040" (1.016 mm.) o/s grade 3	12H001243		4	4			

To facilitate the ordering of pistons the grade has been included in the part number and it is important that the new part number is always quoted.

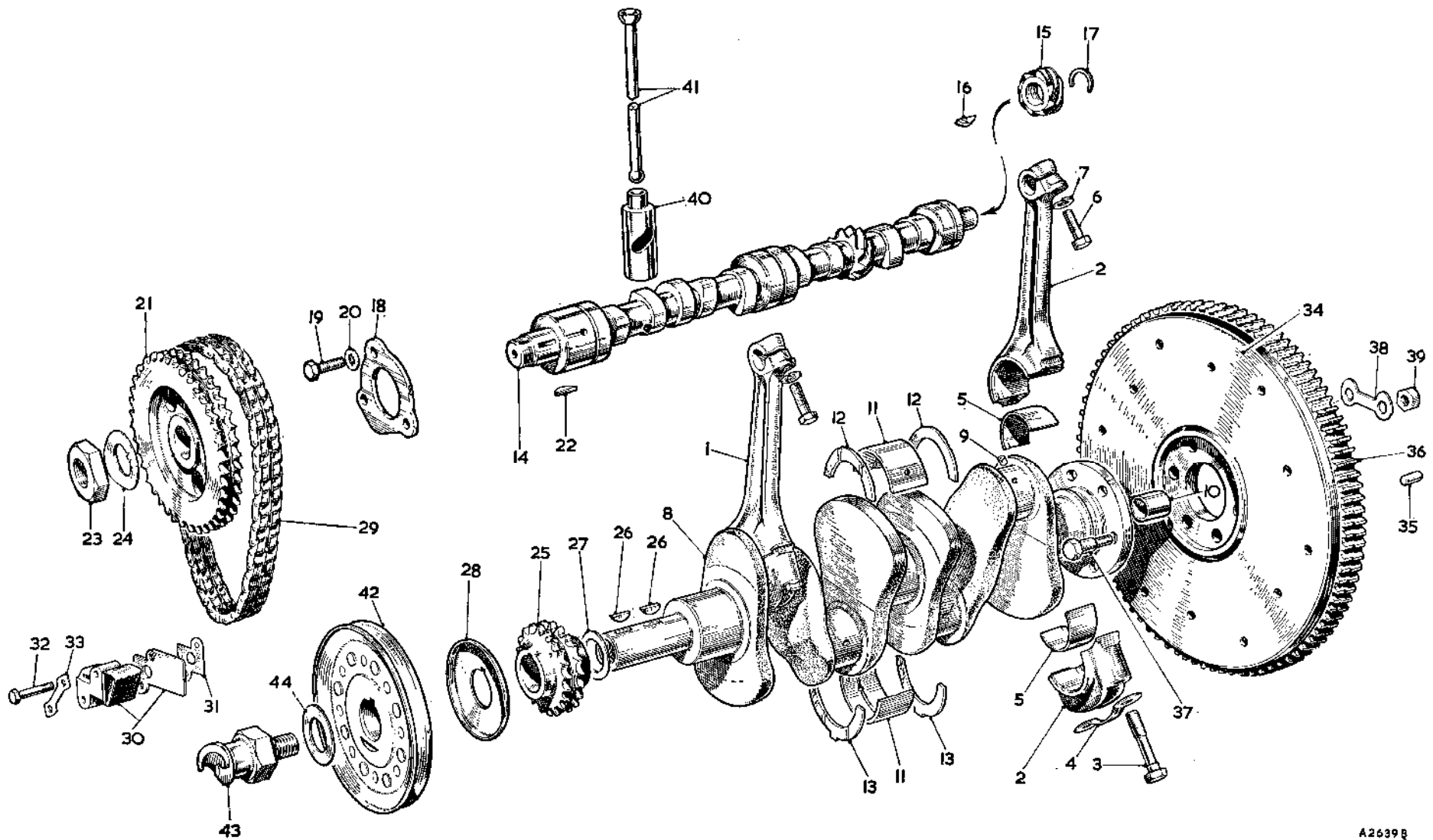
SERVICE PARTS LIST

THE MGA 1600

Item No.	DESCRIPTION	Commencing (E) 16GA/H101		Quantity	MODIFICATIONS		REMARKS
		Part Number	Illus. No.		New Part Number	Change Point	
	<b>Engine Unit—continued</b>						
1	Ring—compression—top (standard)	12H14	27	4			
2	Ring—compression—top .010" (.254 mm.) o/s	12H001410		4			
3	Ring—compression—top .020" (.508 mm.) o/s	12H001420		4			
4	Ring—compression—top .030" (.762 mm.) o/s	12H001430		4			
5	Ring—compression—top .040" (1.016 mm.) o/s	12H001400		4			
6	Ring—compression—2nd and 3rd (standard)	12H15	28	8			
7	Ring—compression—2nd and 3rd .010" (.254 mm.) o/s	12H001510		8			
8	Ring—compression—2nd and 3rd .020" (.508 mm.) o/s	12H001520		8			
9	Ring—compression—2nd and 3rd .030" (.762 mm.) o/s	12H001530		8			
10	Ring—compression—2nd and 3rd .040" (1.016 mm.) o/s	12H001540		8			
11	Ring—scraper (standard)	12H16	29	4			
12	Ring—scraper .010" (.254 mm.) o/s	12H001610		4			
13	Ring—scraper .020" (.508 mm.) o/s	12H001620		4			
14	Ring—scraper .030" (.762 mm.) o/s	12H001630		4			
15	Ring—scraper .040" (1.016 mm.) o/s	12H001640		4		Fin. (E) 16GA/H31660	
16	Pin—gudgeon—standard	12H17	30	4	12H179		12H17 not available; use 12H179
17	Pin—gudgeon—.002" (.0508 mm.) o/s	12H001702		4	12H017902		12H001702 not available; use 12H017902
18	Pin—gudgeon—.004" (.1016 mm.) o/s	12H001704		4	12H017904		12H001704 not available; use 12H017904
19	Pin—gudgeon—.006" (.1524 mm.) o/s	12H001706		4	12H07906		12H001706 not available; use 12H07906
20	Tap—cylinder block drain	3H576	31	1			
21	Washer—drain tap	2K4954	32	1			
22	Washer—drain tap	2K4975		1			Alternatives
	<b>ENGINE MOUNTING PLATE</b>						
23	Plate—engine mounting	11G96	33	1	12H1387		11G96 not available; use 12H1387
24	Joint washer—front mounting plate	11G97	34	1		Fin. (E) 16GA/H31660	
25	Screw—mounting plate to crankcase	HZS0506	35	3			
26	Washer—spring—screw	2K5319	36	3	LWN305		2K5319 not available; use LWN305



A08052



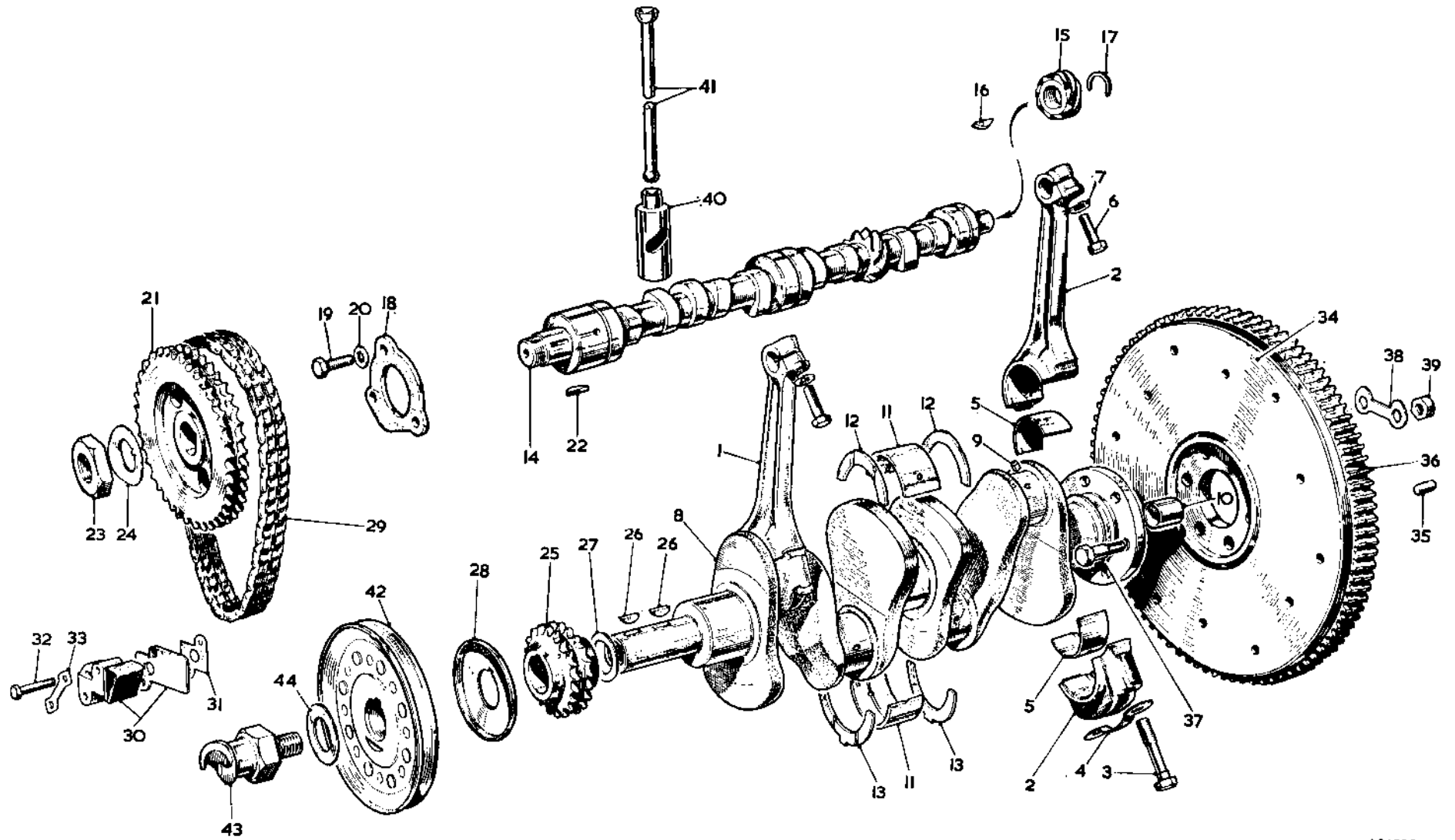
A26398

Item No.	DESCRIPTION	Commencing (E) 16GA/H101		Quantity	MODIFICATIONS		REMARKS
		Part Number	Illus. No.		New Part Number	Change Point	
<b>CONNECTING ROD AND BEARINGS</b>							
1	Connecting rod and cap—Nos. 1 and 3 cylinders	1H703	1	2	12H93	Com. (E) 16GA/H21705 Fin. (E) 16GA/H31660	
2	Connecting rod and cap—Nos. 2 and 4 cylinders	1H701	2	2	12H91		
3	Screw—cap	51K1388	3	8			
4	Washer lock screw	6K881	4	4			
5	<b>Bearing—connecting rod—big-end (standard)</b>	8G2285	5	1 set			
6	Bearing connecting rod—big-end .010" (.254 mm.) u/s	8G228510		1 set		Fin. (E) 16GA/H31660	
7	Bearing connecting rod—big-end .020" (.508 mm.) u/s	8G228520		1 set			
8	Bearing—connecting rod—big-end .030" (.762 mm.) u/s	8G228530		1 set			
9	Bearing—connecting rod—big-end .040" (1.016 mm.) u/s	8G228540		1 set			
10	Screw—clamping	51K1382	6	4			
11	Washer—spring—screw	2K5319	7	4	LWN305		2K5319 not available; use LWN305
<b>CRANKSHAFT AND CAMSHAFT</b>							
12	<b>Crankshaft</b>	12H54	8	1	12H165	Com. (E) 16GA/H21805 Fin. (E) 16GA/H31660	12H54 not available; use 12H165
13	Restrictor oil	1G1187	9	4		Fin. (E) 16GA/H31660	
14	Bush—1st motion shaft	1G765	10	1			
15	Bolt flywheel to crankshaft	51K1022	37	6			
16	Washer lock bolt	6K26	38	3			
17	Nut bolt	FNZ506	39	6			
18	Crankshaft with bearings (reground)	48G187		1			
19	<b>Bearing—main (standard)</b>	8G2175	11	1 set	8G2288	Com. (E) 16GA/H21805 Fin. (E) 16GA/H31660	
20	Bearing—main .010" (.254 mm.) u/s	8G217510		1 set	8G228810		
21	Bearing main .020" (.508 mm.) u/s	8G217520		1 set	8G228820		
22	Bearing—main .030" (.762 mm.) u/s	8H217530		1 set	8G228830		
23	Bearing—main .040" (1.016 mm.) u/s	8G217540		1 set	8G228840		
24	Washer—thrust (upper)	1G2331	12	2			
25	Washer—thrust (lower)	1G2332	13	2			
26	<b>Camshaft</b>	88G252	14	1			Part No. change; was 1H720 and 1111435 correction; was 17H80
27	<b>Gear—tachometer drive</b>	1H730	15	1		Fin. (E) 16GA/H31660	
28	Key—tachometer gear	WKN304	16	1			
29	Spring ring—tachometer gear	1H605	17	1			
30	Plate—camshaft locating	11G136	18	1			
31	Screw—locating plate to crankcase	11NS0406	19	3			
32	Washer—shakeproof—screw	LWN404	20	3			Part No. change; was LWN404
33	<b>Gear—camshaft</b>	11G203	21	1			
34	Key—camshaft gear	WKN505	22	1			
35	Nut—camshaft gear	6K629	23	1			
36	Washer—lock nut	2A750	24	1			

SERVICE PARTS LIST

THE MGA 1600

Item No.	DESCRIPTION	Commencing C/E 13171		Quantity	MODIFICATIONS		REMARKS
		Part Number	Illus. No.		New Part Number	Change Point	
	<b>Crankshaft and Camshaft—continued</b>						
1	Gear—crankshaft	1A2028	25	1			
2	Key—crankshaft gear and pulley	211326	26	2			
3	Washer—packing	2K6633	27	A/R			
4	Thrower—oil—crankshaft front	1A1546	28	1			
5	<b>Chain—timing</b>	2114905	29	1			
6	Tensioner assembly—chain	17H343		1		Fin. (E) 16GA/H31660	Not available; use component parts
7	Tensioner assembly	17H6680		1			
8	Slipper head	17H31		1			
9	Key—Allen	17H6679		1			Service purposes only
10	Joint washer—tensioner	AFC339	31	1			
11	Screw—tensioner to crankcase	HBN0412	32	2			
12	Washer—lock—screw	AEC340	33	1			
	<b>FLYWHEEL</b>						
13	<b>Flywheel with starter ring gear and dowels</b>	111651	34	1			
14	Dowel—clutch to flywheel	1G2984	35	2		Fin. (E) 16GA/H31660	
15	Ring gear—starting <b>Not U.K.</b>	1G2874	36	1			
	<b>TAPPETS AND PUSH-RODS</b>						
16	<b>Tappet (standard)</b>	1H822	40	8			
17	Tappet .010" (.254 mm.) o/s	1H082210		8			
18	Tappet .020" (.508 mm.) o/s	1H082220		8		Fin. (E) 16GA/H31660	
19	<b>Push—rod</b>	11G241	41	8			Alternatives
20	Push—rod	12H1306					
	<b>CRANKSHAFT PULLEY</b>						
21	<b>Pulley—crankshaft</b>	11G81	42	1			
22	Nut—starting	1H765	43	1		Fin. (E) 16GA/H31660	
23	Washer—lock—starting nut	1G1319	44	1			



A26398



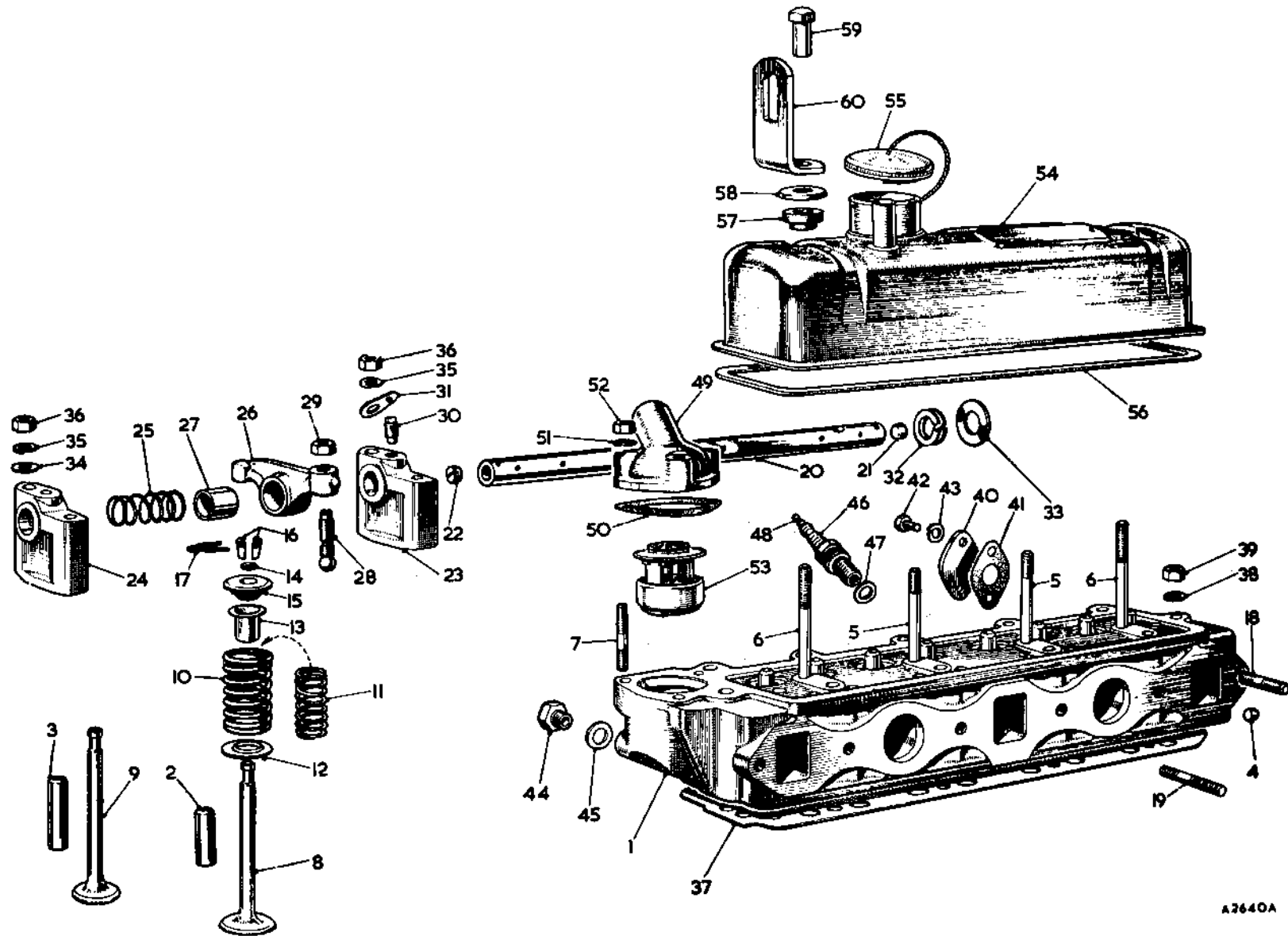


Item No.	DESCRIPTION	Commencing (E) 16GA/H101		Quantity	MODIFICATIONS		REMARKS
		Part Number	Illus. No.		New Part Number	Change Point	
	<b>CYLINDER HEAD—VALVES—GUIDES—SPRINGS—ROCKERS</b>						
1	Cylinder head assembly (less rocker gear)	48G31		1			Not available; use component parts Part No. change was 1H1060
2	Cylinder head with guides plug and studs	48G222	1	1			
3	Guide—inlet valve	11G313	2	4			
4	Guide—exhaust valve	11G193	3	4			
5	Plug—oil hole	6K872	4	1		Fin. (E) 16GA/H31600	
6	Stud—rocker bracket (short)	51K881	5	2			
7	Stud—rocker bracket (long)	51K893	6	2			
8	Stud—water outlet elbow	53K531	7	3			
9	Valve—inlet	1H1059	8	4			
10	Valve—exhaust	1H686	9	4	1H1323	Com. (E) 16GA/H20846 Fin. (E) 16GA/H31600	
11	Valve—exhaust (hard faced)	1H1025				Fin. (E) 16GA/H31600	
12	Spring—valve (outer)	1H722	10	9	6K873	Com. (E) 16GA/H31640 Fin. (E) 16GA/H31600	
13	Spring—valve (inner)	1H723	11	8			
14	Collar—valve spring	1H1321	12	8			
15	Shroud—valve guide	1H1320	30	8			
16	Ring—valve packing	AEK113	14	8			
17	Cup—valve spring	1H1319	15	8			
18	Cotter—valves (halves)	1K600	16	10			
19	Circlip—valve cotter	1K372	17	8			
20	Stud—exhaust manifold to cylinder head	FLS2513	18	2	FHS2513	FLS2513 not available; use FHS2513	
21	Stud—inlet and exhaust manifold to cylinder head	53K400	19	4			
22	Shaft assembly—valve rocker	1G2522		1			
23	Shaft—valve rocker (plugged)	11G62	20	1			
24	Plug—valve rocker (plain)	6K878	21	1			
25	Plug—valve rocker (screwed)	2K4008	22	1		Fin. (E) 16GA/H31600	
26	Bracket—rocker shaft (tapped)	1H1419	23	1			
27	Bracket—rocker shaft (screwed)	1H1420	24	3			
28	Spring—rocker spacing	6K871	25	3			
29	Rocker valve bushed	11G45	26	8			
30	Bush	1G2205	27	8			
31	Rivet—valve rocker	5C2436		8			
32	Screw—tappet adjusting	48G207	28	8			
33	Nut—tappet adjusting screw (lock)	51K1178	29	8		Part No. change; was 11G47	
34	Screw—rocker shaft (locating)	2A258	30	1			
35	Plate—locating screw (lock)	2A259	31	1			
36	Washer—spring—rocker shaft—double coil	1A2139	32	2			
37	Washer—rocker shaft	2K6804	32	2			

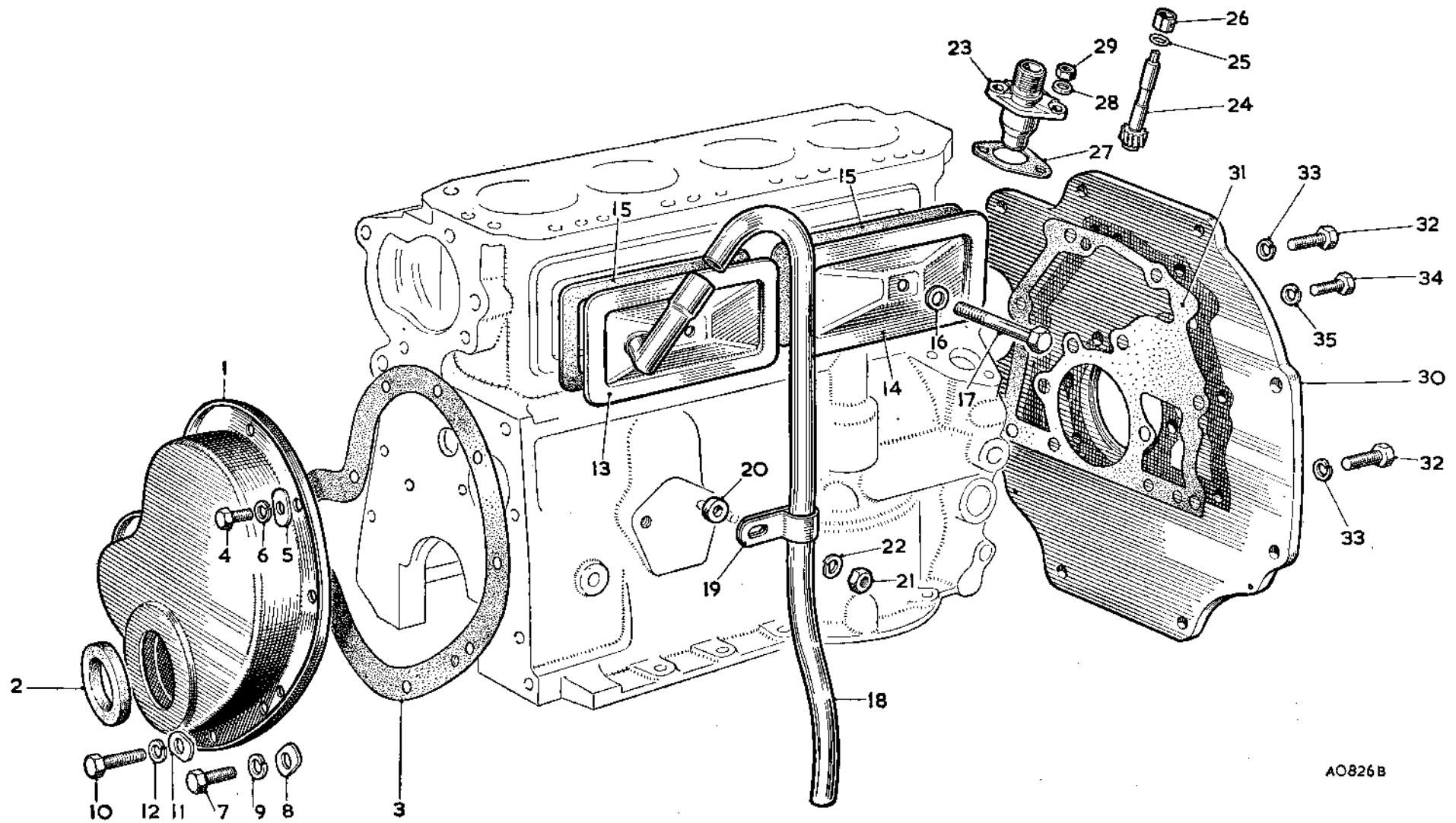
SERVICE PARTS LIST

THE MGA 1600

Item No.	DESCRIPTION	Commencing (E) 16GA/H101		Quantity	MODIFICATIONS		REMARKS
		Part Number	Illus. No.		New Part Number	Change Point	
	<b>Cylinder Head—Valves—Guides—Springs—Rocker</b> <i>continued</i>						
1	Washer—plain—rocker bracket stud	PWN105	34	3			
2	Washer—spring—rocker bracket stud	2K5319	35	4	LWN305		2K5319 not available; use LWN305
3	Nut—rocker bracket stud	FNN105	36	4		Fin. (E) 16GA/H31660	
4	<b>Joint—cylinder head</b>	12H18	37	1	12H433		12H18 not available; use 12H433
5	Washer—plain—cylinder head stud	PWN106	38	11			
6	Nut—cylinder head stud	53K371	39	11	51K371		Not available; use 51K371
7	Plate—heater outlet elbow blanking	1G1282	40	1			
8	Joint washer—blanking plate	1G2342	41	1			
9	Screw—plate to cylinder head	HZS0404	42	2		Fin. (E) 16GA/H31660	
10	Washer—spring—screw	LWN304	43	2			
11	Plug—thermal transmitter boss	1G2953	44	1			
12	Washer—splug	1B3664	45	1			
	<b>SPARKING PLUGS</b>						
13	<b>Plug—sparking</b>	3H2006	46	4			
14	Gasket—plug	88G219	47	4		Fin. (E) 16GA/H31660	Part No. change; was 11G145 and 2K5211
15	Terminal—sparking plug	2H4646	48	4			
	<b>WATER OUTLET ELBOW—THERMOSTAT</b>						
16	<b>Elbow—water outlet</b>	1H727	49	1			
17	Joint washer—elbow	1A2149	50	1	12A29	Fin. (E) 16GA/H31660	1A2149 not available; use 12A29
18	Washer—plain—stud in cylinder head	PWZ105	51	3			
19	Nut—stud	FNZ105	52	3			
20	<b>Thermostat</b>	11G291	53	1	11K399	Com. (E) 16GA/H4788 Fin. (E) 16GA/H31660	11G291 not available; use 11K399
	<b>VALVE ROCKER COVER—OIL FILLER</b>						
21	<b>Cover—valve rocker</b>	1H1339	54	1			
22	<b>Cap and cable—oil filler</b>	8H612	55	1			
23	Joint washer—rocker cover to cylinder head	11G300	56	1	12H37		[ 11G300 not available ] Alternative use 12H37
24	Joint washer—rocker cover to cylinder head	1H1329		1	12H37	Fin. (E) 16GA/H31660	1H1329 not available; use 12H37
25	Bush—cover (rubber)	2K8568	57	2			
26	Washer—cup—nut	1A2156	58	2			
27	Nut—rocker cover (cap)	2A150	59	2			
28	Distance piece—rocker cover stud	1B2925	60	2			



A3640A



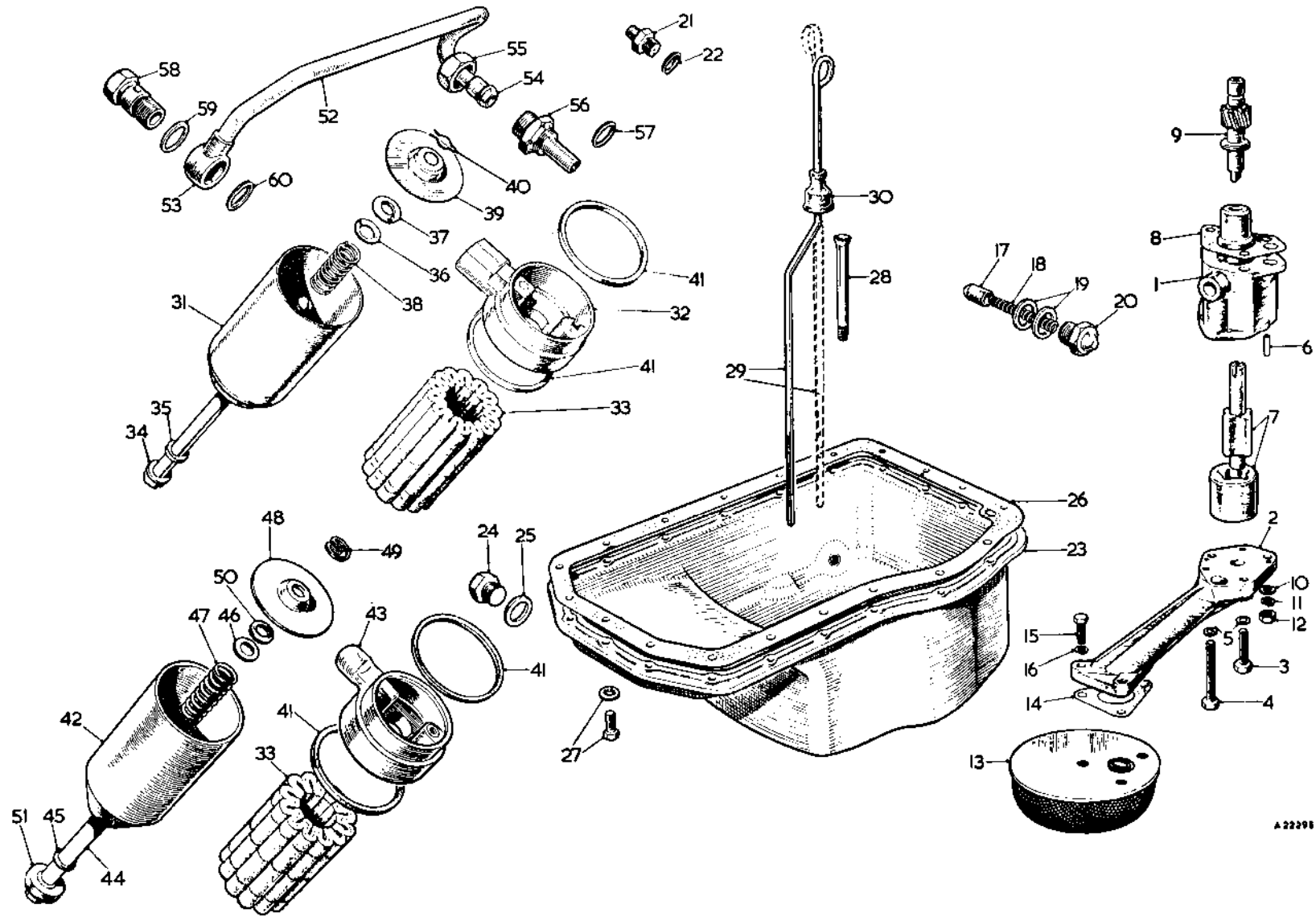
AO826B

Item No.	DESCRIPTION	Commencing (E) 16GA/H101		Quantity	MODIFICATIONS		REMARKS
		Part Number	Illns. No.		New Part Number	Change Point	
<b>CYLINDER, FRONT AND SIDE COVERS</b>							
1	Cover—front (with oil catcher and felt)	11G98	1	1			
2	Ring—crankcase front cover (felt)	2K7140	2	1			
3	Joint—front cover	11G95	3	1	12H1319		11G95 not available; use 12H1319
4	Screw—front cover to mounting plate	HZS0403	4	3			
5	Washer—plain—screw	2K5197	5	3			
6	Washer—spring—screw	LWN204	6	3		Fin. (E) 16A/H31660	
7	Screw—front cover to mounting plate and crankcase	HZS0506	7	4			
8	Washer—plain—screw	2K7440	8	4			
9	Washer—spring—screw	LWN205	9	4			
10	Screw—front cover to bearing cap	HZS0406	10	2			
11	Washer—plain—screw	2K5197	11	2			
12	Washer—spring—screw	LWN204	12	2			
13	Cover—cylinder side—front (with elbow)	1H873			12H150 12H050	Com. (E) 16GA/H25740	Not available; use 12H950
14	Cover—cylinder side—rear	2A770			12H152 12H941	Fin. (E) 16GA/H31660	Not available; use 12H941
15	Joint—rear cover	1A2203	15	2	12A24		1A2203 not available use 12A24
16	Washer—plain—screw	2K4958	16	2			
17	Screw—side cover to crankcase	1H820513	17	2			
18	Pipe—crankcase vent	1H871	18	1		Fin. (E) 16GA/H31660	
19	Clip for pipe	1G2002	19	1	12H981		1G2002 not available; use 12H981
20	Distance piece—clip to crankcase	1H840	20	1			
21	Nut—stud—pipe to crankcase	FNZ105	21	1			
22	Washer—spring—nut	LWZ205	22	2			
<b>TACHOMETER DRIVE</b>							
23	Housing—tachometer drive pinion	1H591	23	1			
24	Pinion—tachometer drive	1H721	24	1			
25	Oil seal—pinion	1G2398	25	1			
26	Ring—oil seal retaining	1G2399	26	1		Fin. (E) 16GA/H31660	
27	Joint—tachometer pinion housing	1G2401	27	1			Not supplied in supplementary set
28	Washer—plain—tachometer housing stud	1PWZ105	28	2			
29	Nut—stud	FNZ105	29	2			
<b>GEARBOX MOUNTING PLATE</b>							
30	Plate—gearbox mounting	1H821	30	1			
31	Joint—mounting plate to crankcase	1G2425	31	1			
32	Screw—mounting plate to crankcase	53K1777	32	8		Fin. (E) 16GA/H31660	
33	Washer—spring—screw	1LWZ306	33	8			
34	Screw—mounting plate to crankcase	53K1776	34	4			
35	Washer—spring—screw	1LWZ305	35	4			

**SERVICE PARTS LIST**

**THE MGA 1600**

Item No.	DESCRIPTION	Commencing (E) 16GA/H101		Quantity	MODIFICATIONS		REMARKS
		Part Number	Illus. No.		New Part Number	Change Point	
	<b>OIL PUMP—STRAINER—RELEASE VALVE</b>						
1	<b>Pump assembly—oil</b> .....	88G296		1			Part No. change; was 1H1191 was 7H1790  Breakdown parts for Holbourn-Eaton oil pumps only  2K5319 not available; use LWN305  1H1192 not available; use 12H984
2	Body with plug .....	NSP	1	1			
3	Cover.....	17H1712	2	1			
4	Screw—cover (short) .....	HNS0408	3	1			
5	Screw—cover (long) .....	1HNS0414	4	1			
6	Washer—spring—screw .....	LWN204	5	2			
7	Dowel .....	7H1793	6	2			
8	<b>Shaft—driving (with rotors)</b> .....	7H1792	7	1			
9	Joint—pump to crankcase .....	11C10	8	1			
10	<b>Spindle—oil pump driving</b> .....	11G12	9	1			
11	Washer—plain—stud .....	PWN105	10	3			
12	Washer—spring—stud .....	2K5319	11	3	LWN305	Fin. (E) 16GA/H31660	
13	Nut—stud—oil pump to crankcase .....	FNN105	12	3			
14	<b>Strainer—oil</b> .....	1H1192	13	1	12H984		
15	Joint washer—strainer to oil pump .....	1H1198	14	1			
16	Bolt—oil strainer to oil pump .....	HNS0407	15	3			
17	Washer—spring—bolt .....	LWN304	16	3			
18	<b>Valve—oil release</b> .....	1G1452	17	1			
19	Spring—oil release valve .....	1H756	18	1			
20	Washer—cap nut .....	2K4982	19	2			
21	Nut—cap—oil release valve .....	1A2206	20	1			
22	Union—oil pressure .....	11G15	21	1			
23	Washer—union .....	6K638	22	1			



A 22298



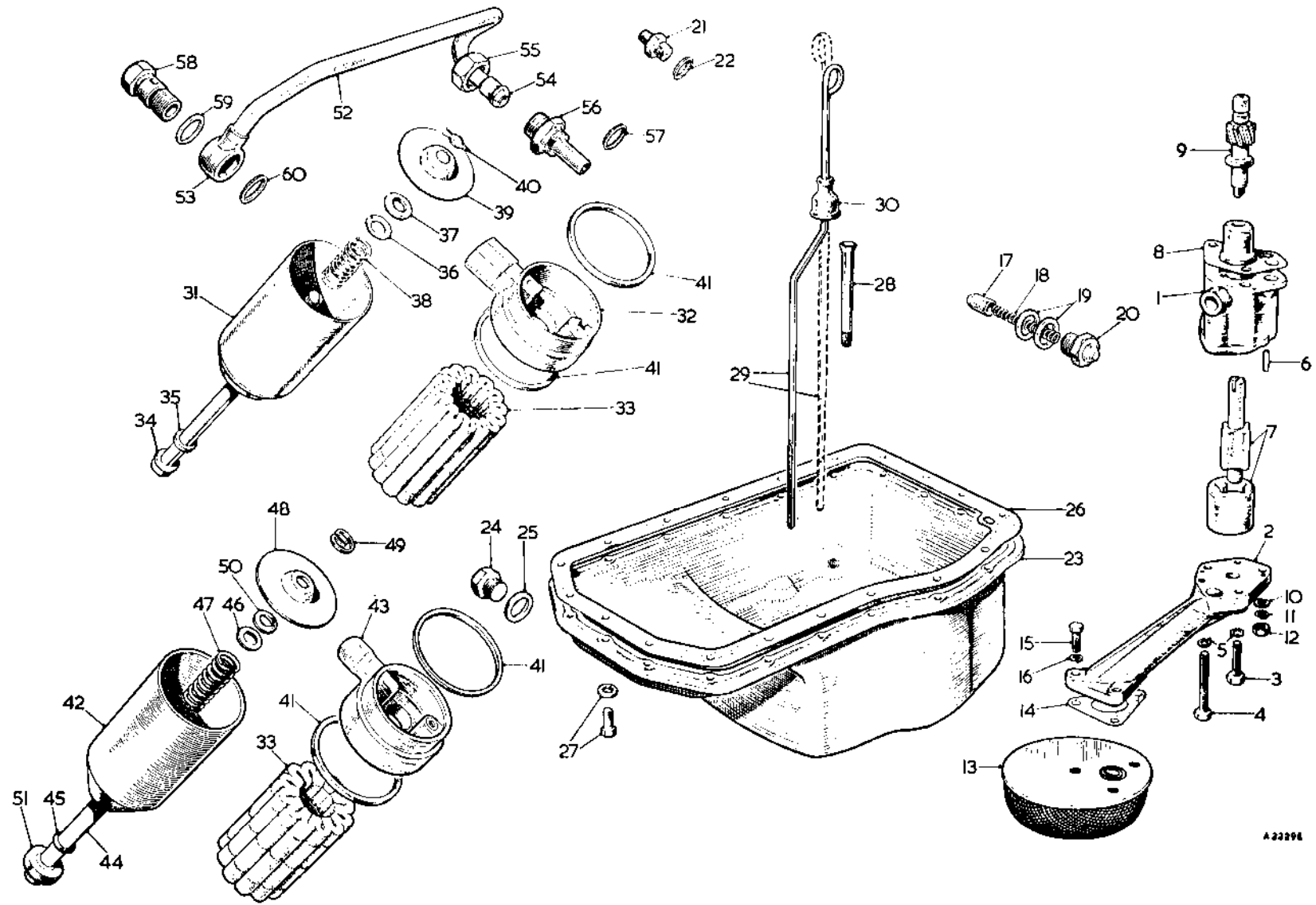


SERVICE PARTS LIST

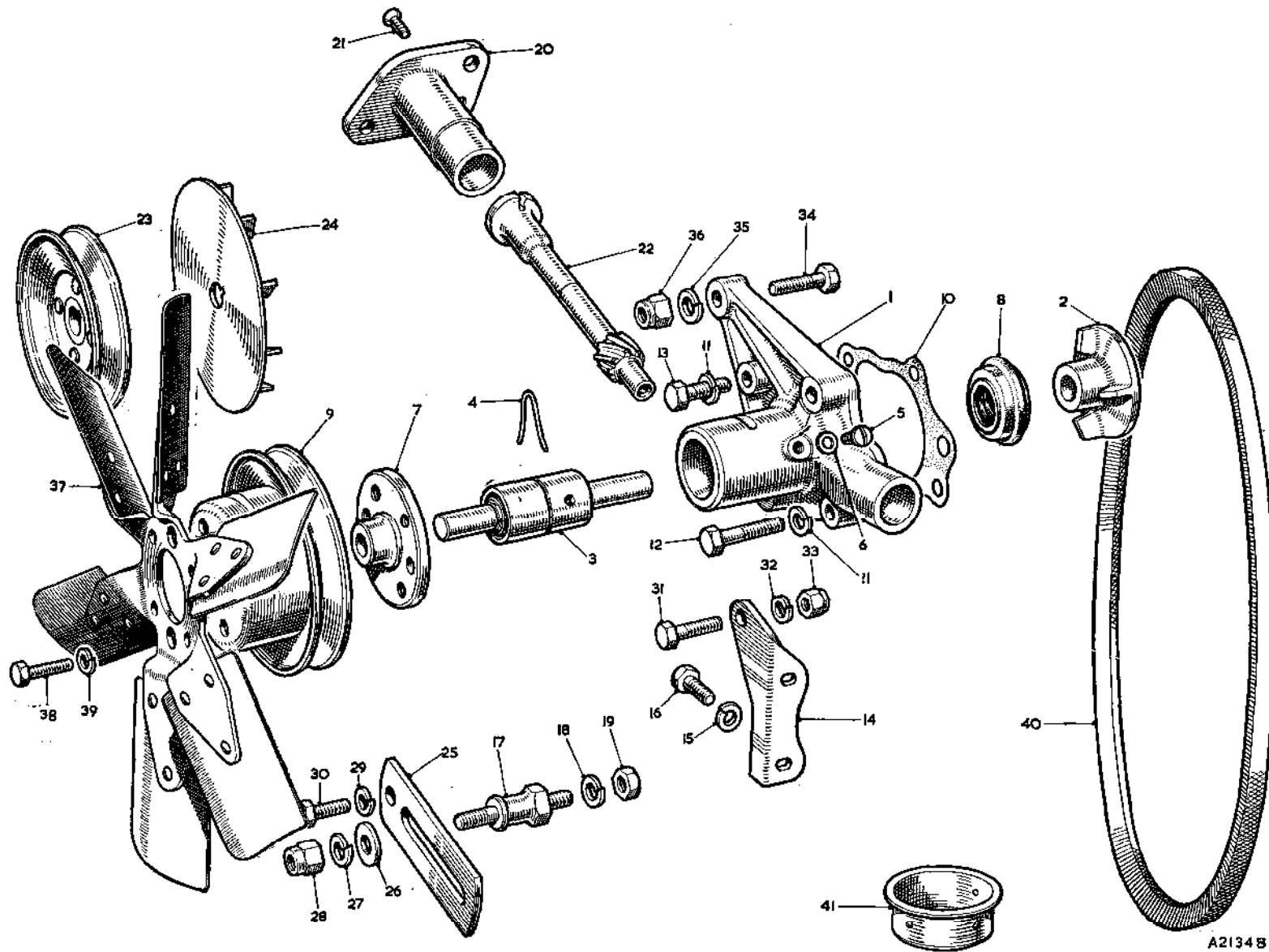
THE MGA 1600

Item No.	DESCRIPTION	Commencing (E) 16GA/11101		Quantity	MODIFICATIONS		REMARKS
		Part Number	Illus. No.		New Part Number	Change Point	
<b>OIL RESERVOIR—DIPPER ROD</b>							
1	Reservoir—oil .....	1G2508	23	1	12H395	] Fin. (E) 16GA/1131660  Com. (E) 16GA/119049 Fin. (E) 16GA/1131660 Fin. (E) 16GA/1131660	1G2508 not available; use 12H395 Part No. change; was 2F4240 and 2A380
2	Plug—drain .....	88G257	24	1			
3	Washer—drain plug .....	6K638	25	1			
4	Joint washer—oil reservoir .....	1G2290	26	1	88G256		
5	Screw with captive washer—reservoir to crankcase .....	6K639	27	19			
6	Screw—reservoir to crankcase .....	HZS04040		19			
7	Washer—screw (shakeproof) .....	LWZ404		19			
8	Tube—oil level indicator rod .....	1B1063	28	1			
9	Rod—oil level indicator .....	11G64	29	1	12H74		
10	Cover for oil level indicator (dust) .....	1B1735	30	1			
<b>OIL FILTER AND PIPE</b>							
11	Filter assembly—oil (Tecalemit) .....	1111067		1		] Fin. (E) 16GA/1131660	Alternative to 1H1051
12	Container .....	1111069	31	1			
13	Head assembly .....	1111068	32	1			
14	Element .....	8C683	33	1			
15	Bolt—centre .....	7H1965	34	1			
16	Washer—sealing .....	7H1948	35	1			
17	Washer (steel) .....	7H1969	36	1			
18	Washer (felt) .....	7H1968	37	1			
19	Spring .....	7H1764	38	1			
20	Plate—pressure .....	17H4846	39	1			
21	Circlip .....	7H1952	40	1			
22	Joint ring—body to filter and crankcase .....	8C619	41	2			
23	Filter assembly—oil (Purolator) .....	NSP		1		] Fin. (E) 16GA/1131660	Alternative to 1H1067; was 1H1051
24	Body assembly .....	1H1053	42	1			
25	Head assembly .....	1H1052	43	1			
26	Element .....	8C683	33	1			
27	Bolt—centre .....	17H1558	44	1			
28	Ring—sealing .....	17H1556	45	1			
29	Washer—filter .....	17H1448	46	1			
30	Spring .....	17H1449	47	1			
31	Plate—pressure .....	17H1446	47	1			
32	Circlip .....	17H1557	49	1	37H996		
33	Joint ring—body to filter head and crankcase .....	8C619	41	2			
34	Seal .....	17H1447	50	1			
35	Collar—centre bolt .....	17H1559	51	1			





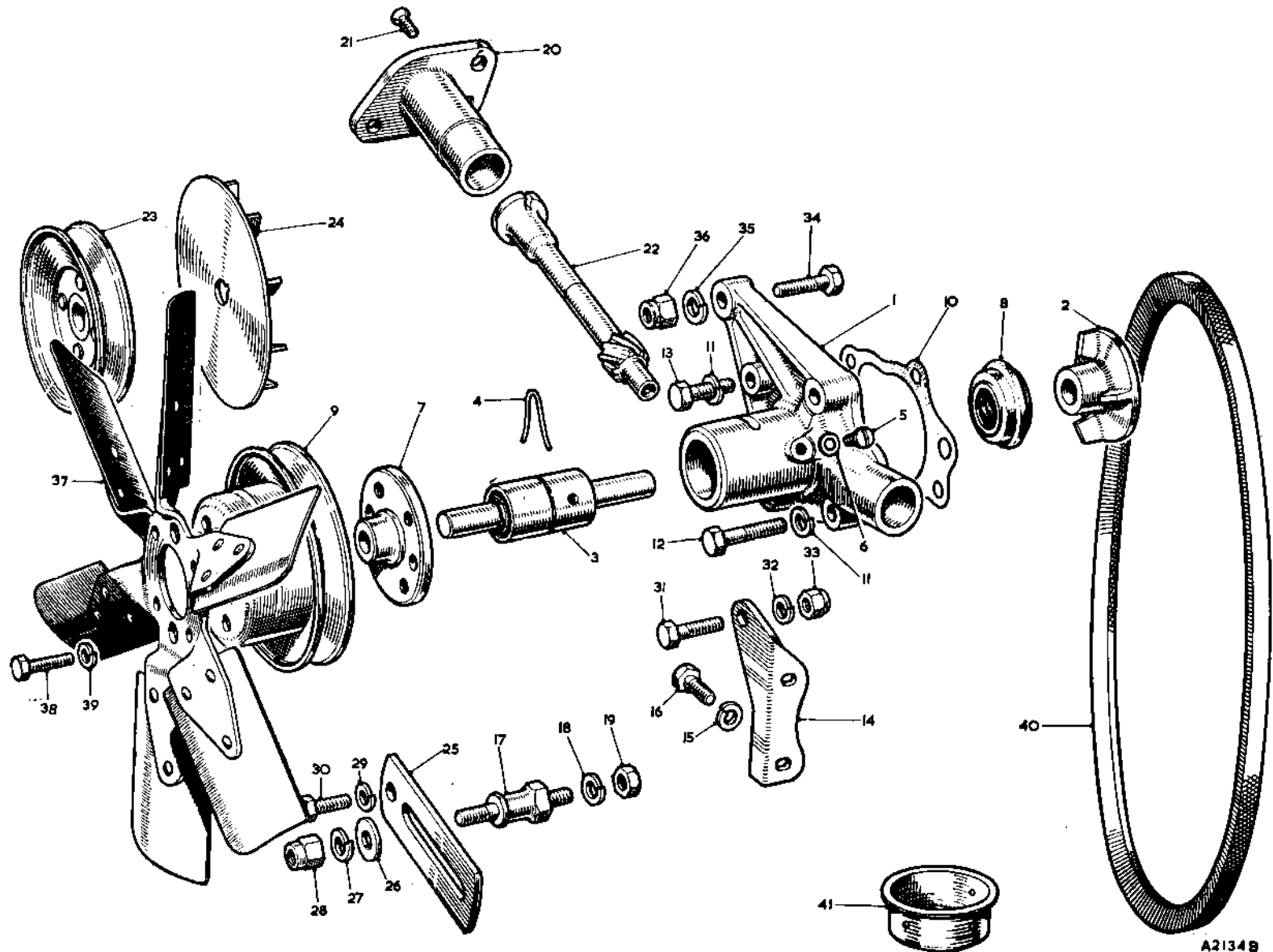
A 22296



A2134 B

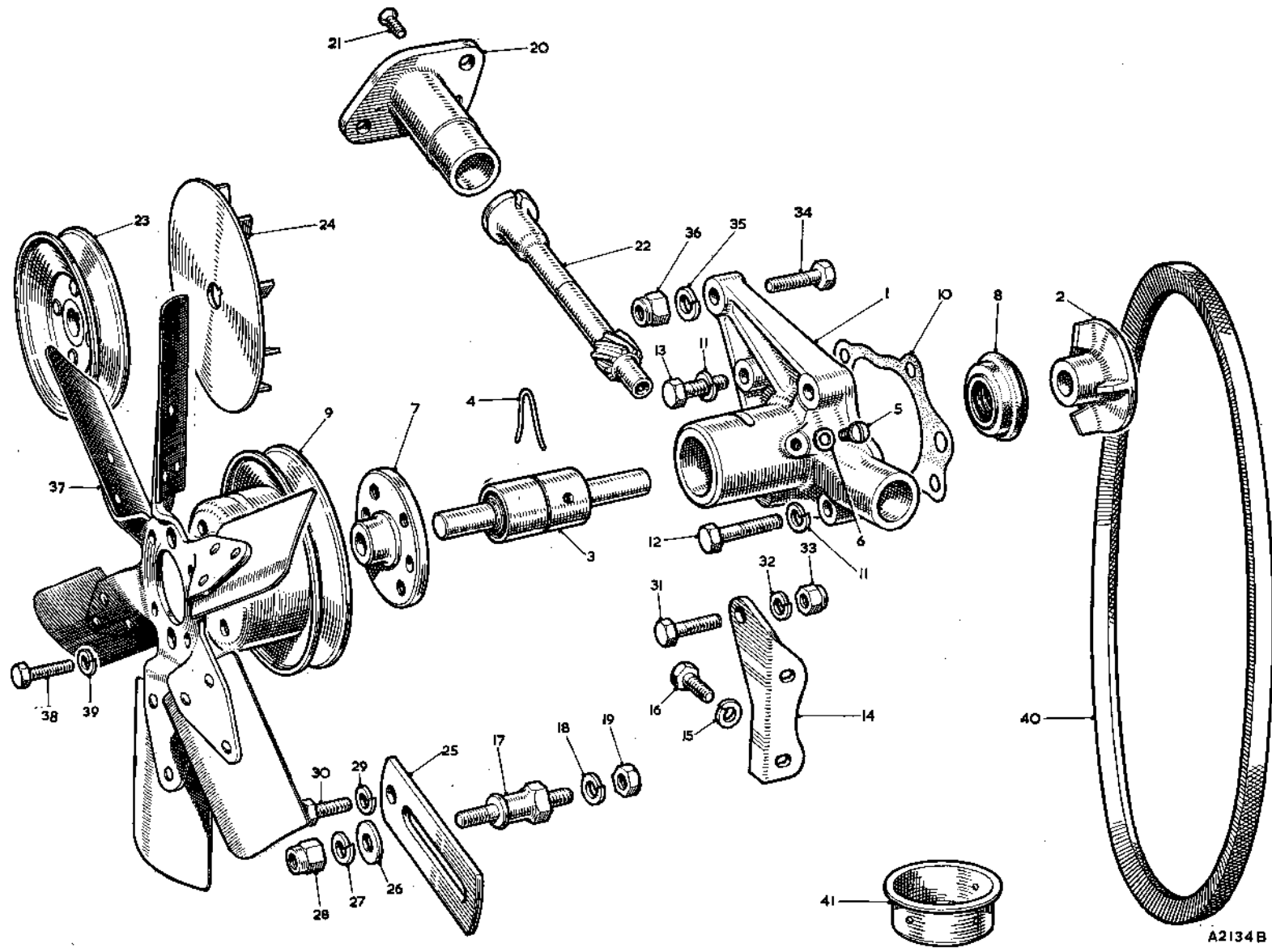
Item No.	DESCRIPTION	Commencing (E) 16GA/H101		Quantity	MODIFICATIONS		REMARKS
		Part Number	Illus. No.		New Part Number	Change Point	
	<b>WATER PUMP AND PULLEY</b>						
1	<b>Pump assembly—water (with hub less pulley)</b>	1H1149	.....	1	12H839	] Fin. (E) 16GA/H31660	1H1149 not available; use 12H839; was 1H1151
2	Body	NSP	.....	1			
3	Vane	1H1152	.....	2			
4	<b>Bearing (with spindle)</b>	1H1153	.....	3			
5	Wire—bearing locating	2A778	.....	4			
6	Screw—lubricating point	58K1433	.....	5			
7	Washer—screw (fibre)	2K4974	.....	6			
8	Hub—pulley	8G724	.....	7			
9	Seal—water pump	8G698	.....	8	13H772		
10	Pulley—fan and water pump	11G200	.....	9	8G742		
11	Joint—water pump to crankcase	1G2302	.....	10			
12	Washer—spring screw	2K5319	.....	11	LWN305		
13	Screw—pump to crankcase (long)	1H3Z0510	.....	12			
14	Screw—pump to crankcase (short)	HZS0509	.....	13			
	<b>DYNAMO AND DISTRIBUTOR MOUNTING</b>						
15	Bracket for dynamo (rear)	2A758	.....	2	12A526	] Fin. (E) 16GA/H31660	2A758 not available; use 12A526 2K5319 not available; use LWN305
16	Washer—spring screw	2K5319	.....	15	LWN305		
17	Screw—bracket to crankshaft	HZS0506	.....	16			
18	Pillar—dynamo adjusting link	2A128	.....	17			
19	Washer—spring pillar	LWN300	.....	18			
20	Nut—dynamo pillar	FNZ506	.....	19			
21	<b>Housing—distributor</b>	1G2285	.....	20			
22	Screw—housing to crankcase	58K1206	.....	21			
23	<b>Spindle—distributor driving</b>	2A139	.....	22			
24	<b>Spindle—distributor driving</b>	2A847	.....	1			
25	<b>Spindle—distributor driving</b>			1	1G2062	[ Alternatives ] Not available; use 1G2062	





A2134B





A2134B

**SERVICE PARTS LIST**

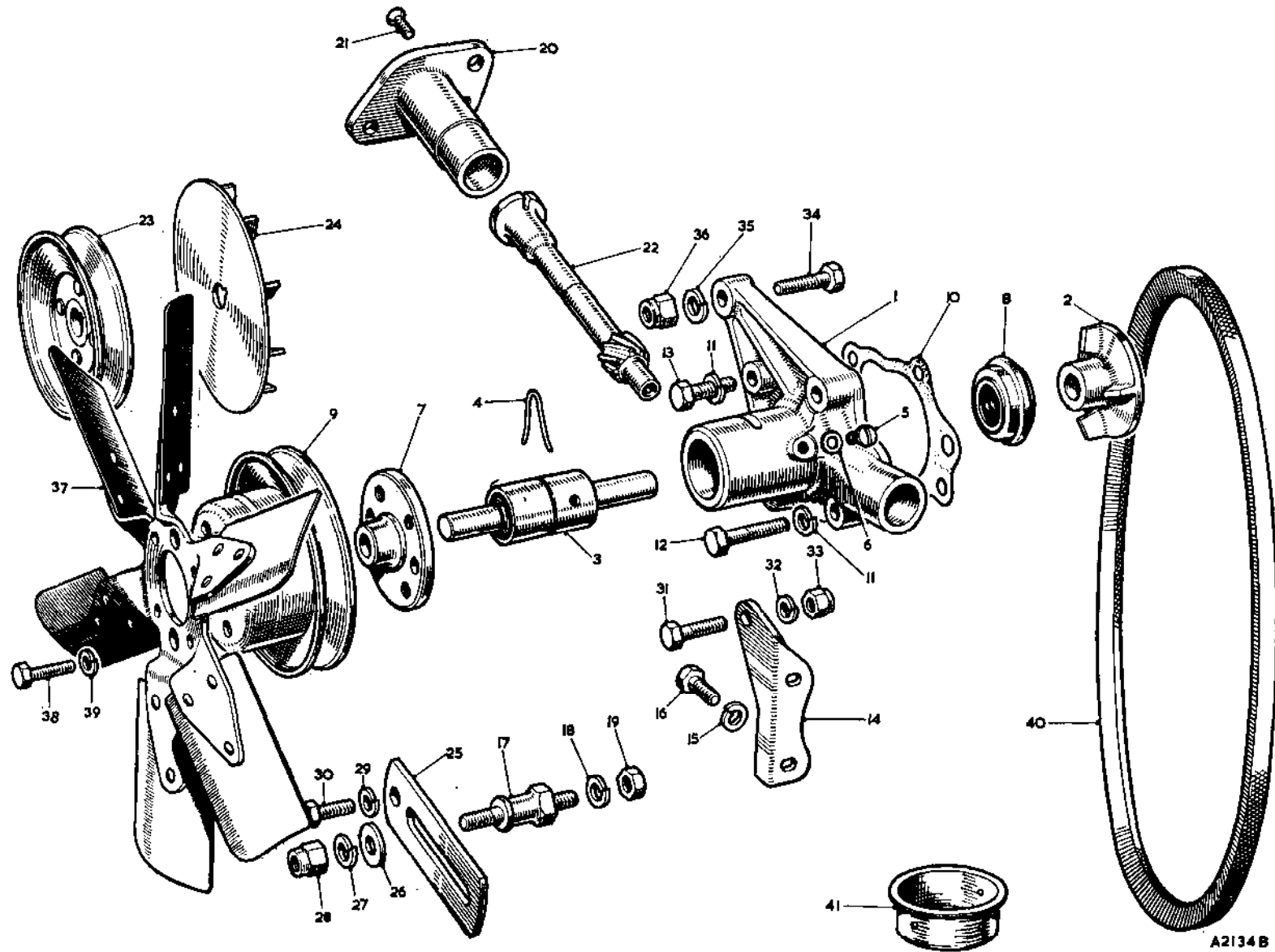
**THE MGA 1600**

Item No.	DESCRIPTION	Commencing (E) 16GA/H1101		Quantity	MODIFICATIONS		REMARKS
		Part Number	Illus. No.		New Part Number	Change Point	
	<b>FAN AND FAN BELT</b>						
1	Fan—water pump (6 bladed)	AEG129	37	1			
2	Screw—fan to pulley	BZS0406	38	4		Fin. (E) 16GA/H31660	
3	Washer—spring—screw	LWN304	39	4			
4	Belt—fan	1H1001	40	1	1G2716	Com. (E) 16GA/H6272	1G2716 correction; } Not available was 1H2716 } use 13H023
5	Belt fan			1	1H1001 13H1923	Com (E) 16GA/H6396 Fin. (E) 16GA/H31660	
	<b>BLANKING SLEEVE</b>						
6	Blanking sleeve—thermostat bypass	11G176	41	1		Fin. (E) 16GA/H31660	For use when thermostat is removed
	<b>CYLINDER LINER</b>						
7	Liner—cylinder	AEH656		4		Fin. (E) 16GA/H31660	Service purposes only

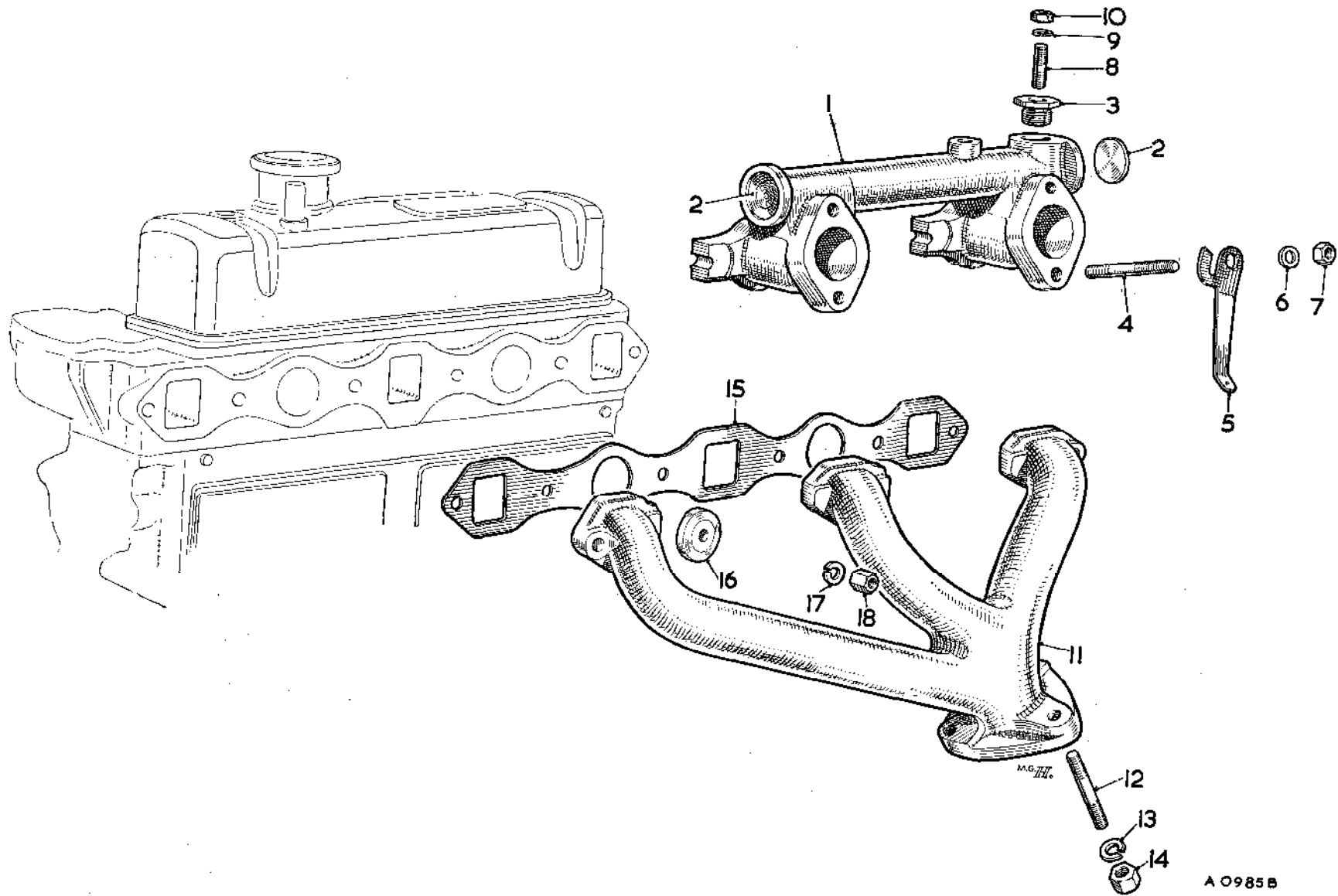
SERVICE PARTS LIST

THE MGA 1600

Item No.	DESCRIPTION	Commencing (F) 16GA/H101		Quantity	MODIFICATIONS		REMARKS
		Part Number	Illus. No.		New Part Number	Change Point	
	<b>ENGINE SERVICE KITS</b>						
1	Joint set—decarbonizing .....	48G160		1	48G220	} Fin. (L) 16GA/H31660	48G160 not available; use 48G220
2	Joint—cylinder head .....			1			
3	Joint—manifold .....			1			
4	Joint—valve rocker cover .....			1			
5	Ring—valve packing (rubber) .....			8			
6	Joint—water outlet elbow .....			1			
7	Joint—carburetter .....			6			
8	Joint—heater outlet blanking plate .....			1			
9	Joint—air cleaner to carburetter .....			2			
10	Joint set—supplementary .....	48G138		1	48G242		
11	Ring—crankcase front cover (felt) .....	2K7140		1			
12	Joint—main bearing cap .....			2			
13	Joint—oil strainer to oil pump .....			1			
14	Joint—pump to crankcase .....			1			
15	Joint—oil reservoir .....			1			
16	Joint—cylinder side cover to crankcase .....			2			
17	Joint—water pump to crankcase .....			1			
18	Washer—drain plug .....			1			
19	Joint—gearbox mounting plate to crankcase .....			1			
20	Joint—oil filter to crankcase .....			1			
21	Joint—oil pipe adaptor .....			1			
22	Joint—front engine mounting plate .....			1			
23	Joint—front cover .....			1			
24	Joint—chain tensioner .....			1			
25	<b>Chain tensioner servicing kit</b> .....	17H341		1			
26	Spring .....			1			
27	Bottom plug .....			1			
28	Tab washer .....			1			
29	Cylinder .....			1			
30	<b>Kit—water pump repair</b> .....	8G2873		1			
31	Vane .....			1			
32	Hub .....			1			
33	Bearing (with spindle) .....			1			
34	Wire—bearing locating .....			1			
35	Screw—lubricating point .....			1			
36	Washer screw (fibre) .....			1			
37	Seal .....			1			
38	Joint—pump to crankcase .....			1			



A2134B

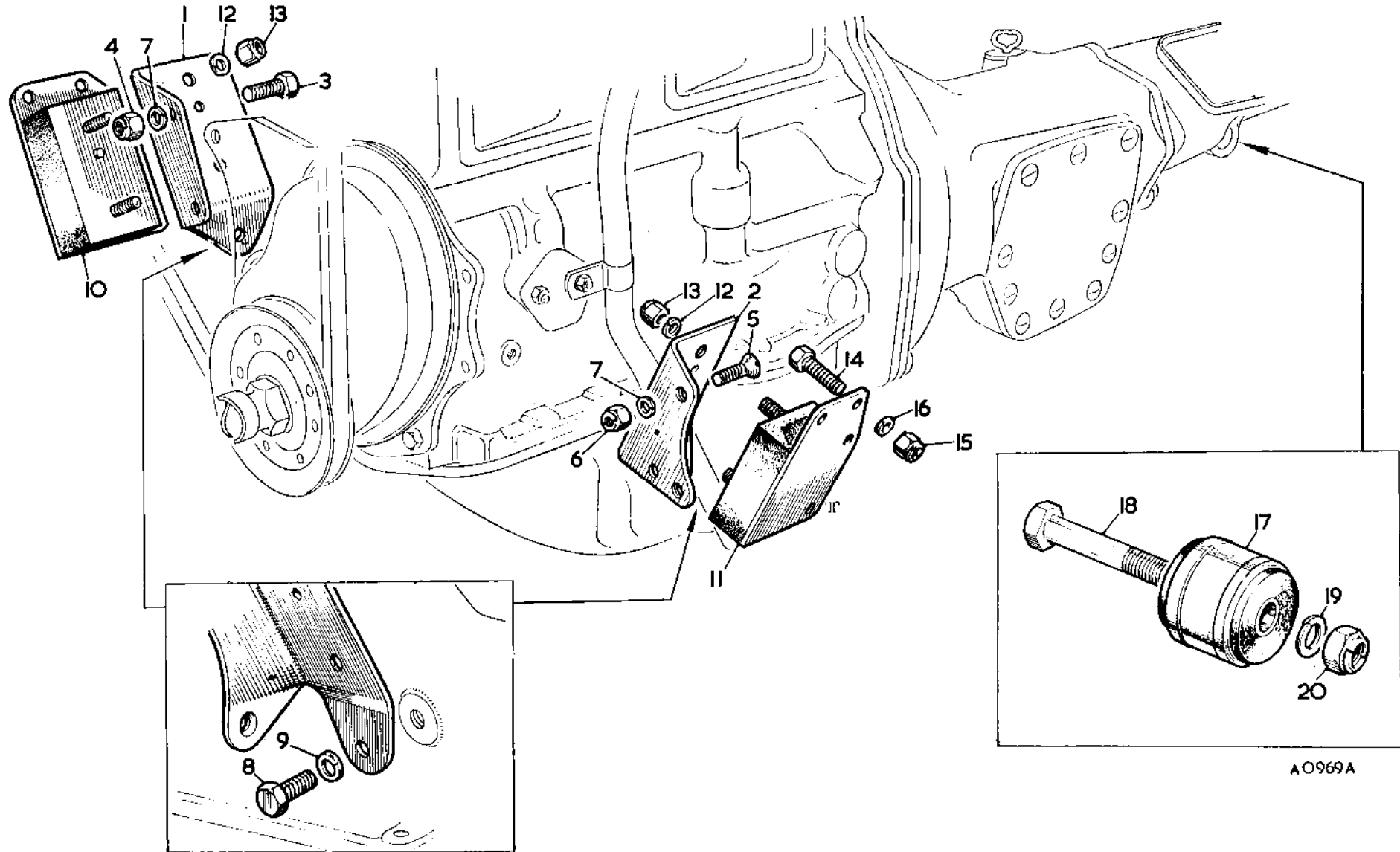


SERVICE PARTS LIST

THE MGA 1600

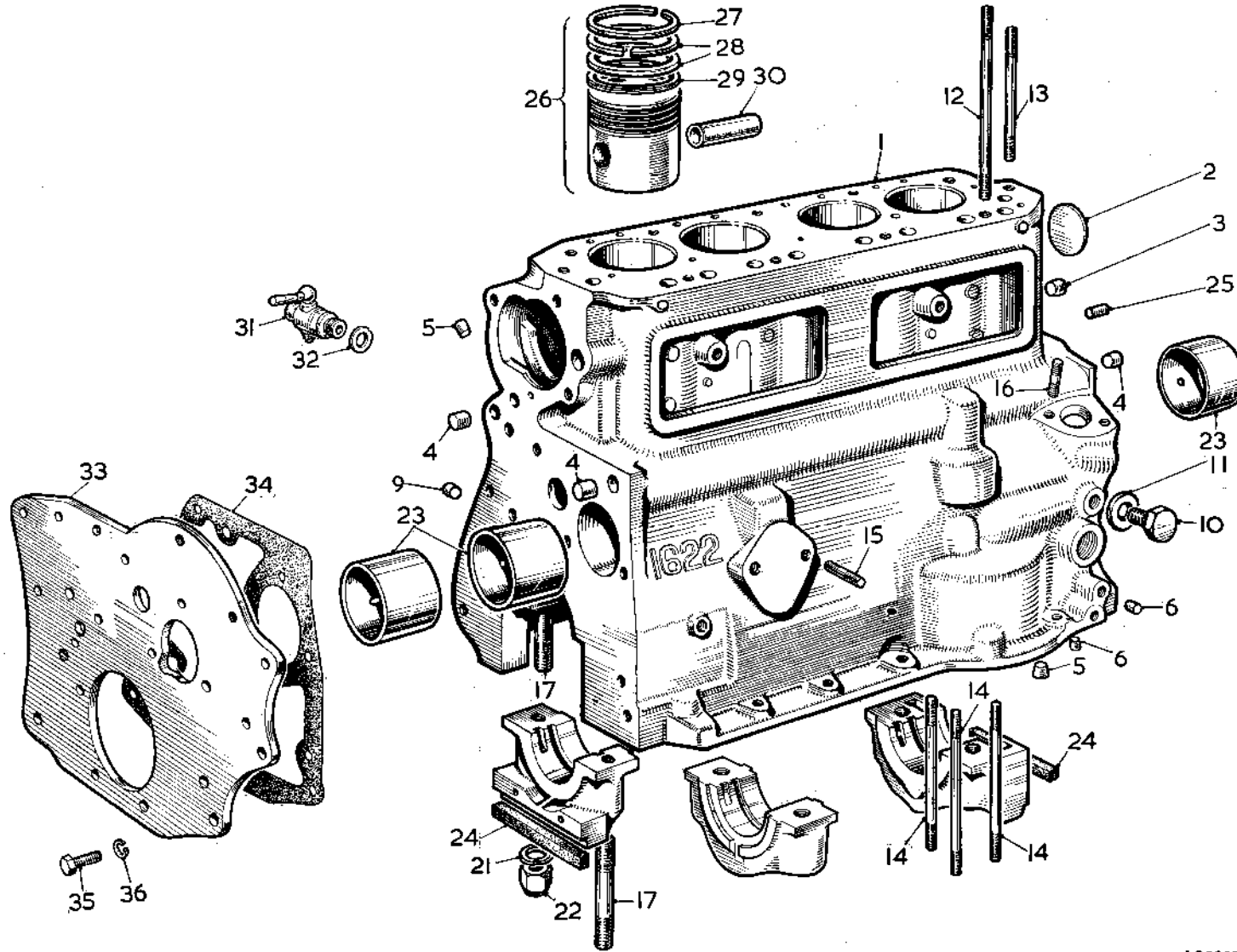
Item No.	DESCRIPTION	Commencing (E) 16GA/H101		Quantity	MODIFICATIONS		REMARKS
		Part Number	Illus. No.		New Part Number	Change Point	
	<b>INLET AND EXHAUST MANIFOLD</b>						
1	Manifold—inlet	AEI1660	1	1			
2	Plug—inlet manifold (welch)	2K8159	2	2			
3	Plug—adaptor	AEH281	3	1			
4	Stud—carburettor to manifold	53K2236	4	4			
5	Bracket—anchor—accelerator spring	AHH5339	5	1			
6	Washer—plain—stud	1WZ106	6	4			
7	Nut—stud	FNZ106	7	4			
8	Stud—inlet manifold (accelerator abutment bracket)	AHH5299	8	2			
9	Washer—spring—stud	LWZ206	9	2			
10	Nut—stud	FNZ206	10	2			
11	Manifold—exhaust	48G143	11	1			
12	Stud—exhaust pipe flange	AEH194	12	3			
13	Washer - spring—stud	LWZ206	13	3			
14	Nut—stud	AEH195	14	3			
15	Joint washer—manifolds to cylinder head	1G2417	15	1			
16	Yoke - manifolds	1G2418	16	4			
17	Washer spring stud	LWZ205	17	6			
18	Nut manifold stud	AHH5171	18	6			

Item No.	DESCRIPTION	Commencing (E) 16GA/1101		Quantity	MODIFICATIONS		REMARKS
		Part Number	Illus. No.		New Part Number	Change Point	
	<b>ENGINE MOUNTINGS</b>						
1	Bracket—engine mounting—front—R/H	AHH5065	1	1			
2	Bracket—engine mounting—front—L/H	AHH5066	2	1			
3	Screw—bracket to mounting plate—R/H	HZS0508	3	2			
4	Nut—screw	LNZ105	4	2			
5	Screw—bracket to plate	CMZ0516	5	2			
6	Nut—screw	LNZ105	6	2			
7	Washer—spring—screw	LWZ205	7	4			
8	Screw—bracket to block	HZS0606	8	2			
9	Washer—spring—screw	LWZ206	9	2			
10	Rubber—engine mounting—front—R/H	AHH5027	10	1			Standard model
11	Rubber—engine mounting—front—L/H				AHH5833	Com. (C) 91240	All round disc brakes model
12	Rubber—engine mounting—front—L.II.	AHH5028	11	1			
13	Washer—engine mounting to bracket (spring)	LWZ205	12	4			
14	Nut—mounting to bracket	FNZ105	13	4			
15	Screw—mounting rubber to frame bracket	HZS0506	14	5			Standard model
16	Screw—mounting rubber to frame bracket			4	HZS0506	Com. (C) 91240	All round disc brakes model
17	Screw—mounting rubber and coil bracket to frame bracket	HZS0507		3			Standard model
18	Screw—mounting rubber and coil bracket to frame bracket			4	HZS0505	Com. (C) 91240	All round disc brakes model
19	for screw	FNZ105	15	8			
20	Washer—spring—screw	LWZ205	16	8			
21	Bush—rear engine mounting—flexible	AHH5031	17	1			
22	Bolt—bush	HBZ0826	18	1			
23	Washer—spring—screw	LWZ208	19	1			
24	Nut—bolt	LNZ108	20	1			



A0969A





A0805F

**SERVICE PARTS LIST**

**THE MGA 1600**

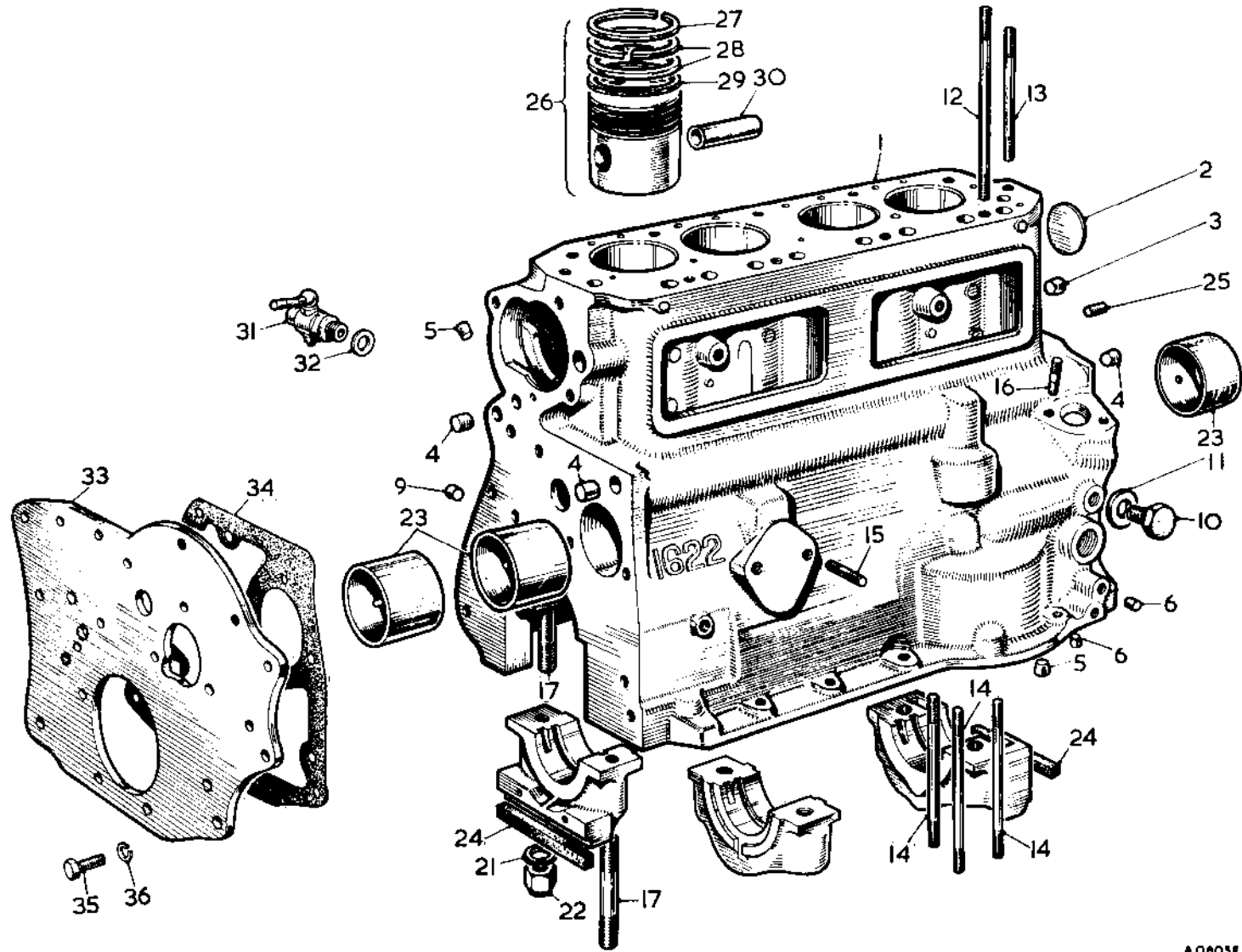
Item No.	DESCRIPTION	Commencing (E) 16GC/11101		Quantity	MODIFICATIONS		REMARKS
		Part Number	Illus. No.		New Part Number	Change Point	
<b>ENGINE</b>							
<b>ENGINE UNIT</b>							
1	Stripped engine unit	H.C. 48G214		1			
2	Stripped engine unit	L.C. 48G218		1			
3	Half engine unit	H.C. 48G213		1			
4	Half engine unit	L.C. 48G217		1			
5	Cylinder block assembly	H.C. 48G212	1	1			
6	Cylinder block assembly	L.C. 48G219		1			
7	Plug—welch	2K8160	2	4			
8	Plug—oil gallery	1H813	3	1/4			Quantity increased at (E) 16GC/2327 also 2157 to 2225
9	Plug—oil gallery	2K8623	4	3		Fin. (E) 16GC/2326 except 2157 to 2225	
10	Plug—taper—crankcase oil hole	6K874	5	2			
11	Plug—oil relief valve vent hole	6K899	6	2			
12	Plug—chain tensioner oil feed	11G14	9	1			
13	Plug—oil hole (screwed)	2K4903	10	1			
14	Washer—screwed plug	6K638	11	1			
15	Stud—cylinder head (long)	51K215	12	4			
16	Stud—cylinder head (short)	51K216	13	7			
17	Stud—oil pump (short)	51K267	14	3			
18	Stud—crankcase vent pipe clip	53K257	15	2			Correction was 53K275
19	Stud—tachometer drive spindle housing	53K2171	16	2			
20	Stud—main bearing	51K894	17	6			
21	Cap—main bearing (front)	N.S.P.		1			
22	Cap—main bearing (centre)	N.S.P.		1			
23	Cap—main bearing (rear)	N.S.P.		1			
24	Washer—spring—main bearing stud	LWN208	21	6			Part No. change was 2K5897
25	Nut—main bearing stud	LNN208	22	6			
26	Liner—camshaft bearing	8G2176	23	1 set			
27	Joint—front and rear main bearing cap	1H353	24	2			
28	Dowel—gearbox mounting plate	1G752	25	2	1K51		For 1G752 use 1K51 for this application
29	Tap—cylinder block drain	3H576	31	1			
30	Washer—drain tap	2K4654	32	1			] Alternatives
31	Washer—drain tap	2K4975		1			

SERVICE PARTS LIST

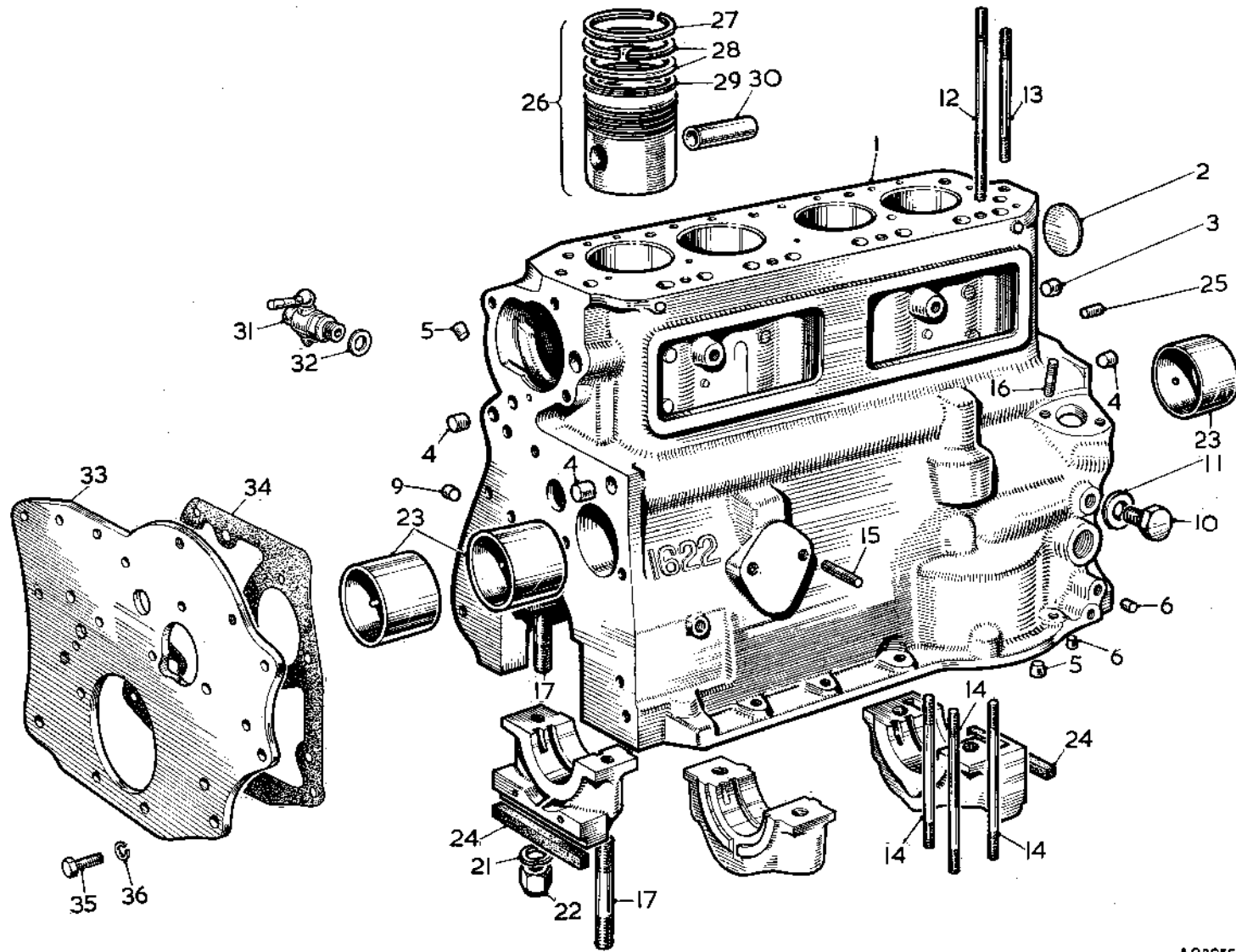
THE MGA 1600

Item No.	DESCRIPTION	Commencing (E) 16GC/H101		Quantity	MODIFICATIONS		REMARKS
		Part Number	Illus. No.		New Part Number	Change Point	
<b>Engine Unit—continued</b>							
1	Piston assembly—standard—grade 3	12H043703	26	4			
2	Piston assembly—standard—grade 6	12H043706		4			
3	Piston assembly .010" (.254 mm.) o/s grade 3	12H043713		4			
4	Piston assembly .010" (.254 mm.) o/s grade 6	12H043716		4			
5	Piston assembly .020" (.508 mm.) o/s grade 3	12H043723		4			
6	Piston assembly .020" (.508 mm.) o/s grade 6	12H043726		4			
7	Piston assembly .030" (.762 mm.) o/s grade 3	12H043733		4			
8	Piston assembly .030" (.762 mm.) o/s grade 6	12H043736		4			
9	Piston assembly .040" (1.016 mm.) o/s grade 3	12H043743		4			
10	Piston assembly .040" (1.016 mm.) o/s grade 6	12H043746		4			
11	Piston assembly—standard	12H525		4		Fin. (E) 16GS/L126	Not available; use 12H045508 or 12H045506 in sets
12	Piston assembly—standard—grade 3			4	12H045508	Com. (E) 16GC/L127	
13	Piston assembly—standard—grade 6			4	12H045506		
14	Piston assembly .010" (.254 mm.) o/s grade 3	12H045513		4			
15	Piston assembly .010" (.254 mm.) o/s grade 6	12H045516		4			
16	Piston assembly .020" (.508 mm.) o/s grade 3	12H045523		4			
17	Piston assembly .020" (.508 mm.) o/s grade 6	12H045526		4			
18	Piston assembly .030" (.762 mm.) o/s grade 3	12H045533		4			
19	Piston assembly .030" (.762 mm.) o/s grade 6	12H045536		4			
20	Piston assembly .040" (1.016 mm.) o/s grade 3	12H046643		4			
21	Piston assembly .040" (1.016 mm.) o/s grade 6	12H045546		4			
22	Ring—compression top (standard)	12H439	27	4			
23	Ring—compression top .010" (.254 mm.) o/s	12H043910		4			
24	Ring—compression top .020" (.508 mm.) o/s	12H043920		4			
25	Ring—compression top .030" (.762 mm.) o/s	12H043930		4			
26	Ring—compression top .040" (1.016 mm.) o/s	12H043940		4			
27	Ring—compression—2nd and 3rd (standard)	12H440	28	8			
28	Ring—compression—2nd and 3rd .010" (.254 mm.) o/s	12H044010		8			
29	Ring—compression—2nd and 3rd .020" (.508 mm.) o/s	12H044020		8			
30	Ring—compression—2nd and 3rd .030" (.762 mm.) o/s	12H044030		8			
31	Ring—compression—2nd and 3rd .040" (1.016 mm.) o/s	12H044040		8			
32	Ring—scraper (standard)	12H441	29	4	12H855		12H441, 12H044110, 20/30/40 not available; use 12H855, 12H085510/20/30/40
33	Ring—scraper .010" (.254 mm.) o/s	12H044110		4	12H085510		
34	Ring—scraper .020" (.508 mm.) o/s	12H044120		4	12H085520		
35	Ring—scraper .030" (.762 mm.) o/s	12H044130		4	12H085530		
36	Ring—scraper .040" (1.016 mm.) o/s	12H044140		4	12H085540		
37	Pin—gudgeon (standard)	12H442	30	4			
38	Pin—gudgeon .002" (.0508 mm.) o/s	12H044202		4			
39	Pin—gudgeon .004" (.1016 mm.) o/s	12H044204		4			
40	Pin—gudgeon .006" (.1524 mm.) o/s	12H044206		4			

To facilitate the ordering of pistons the grade has been included in the part number and it is important that the new part number is always quoted.



A0803F



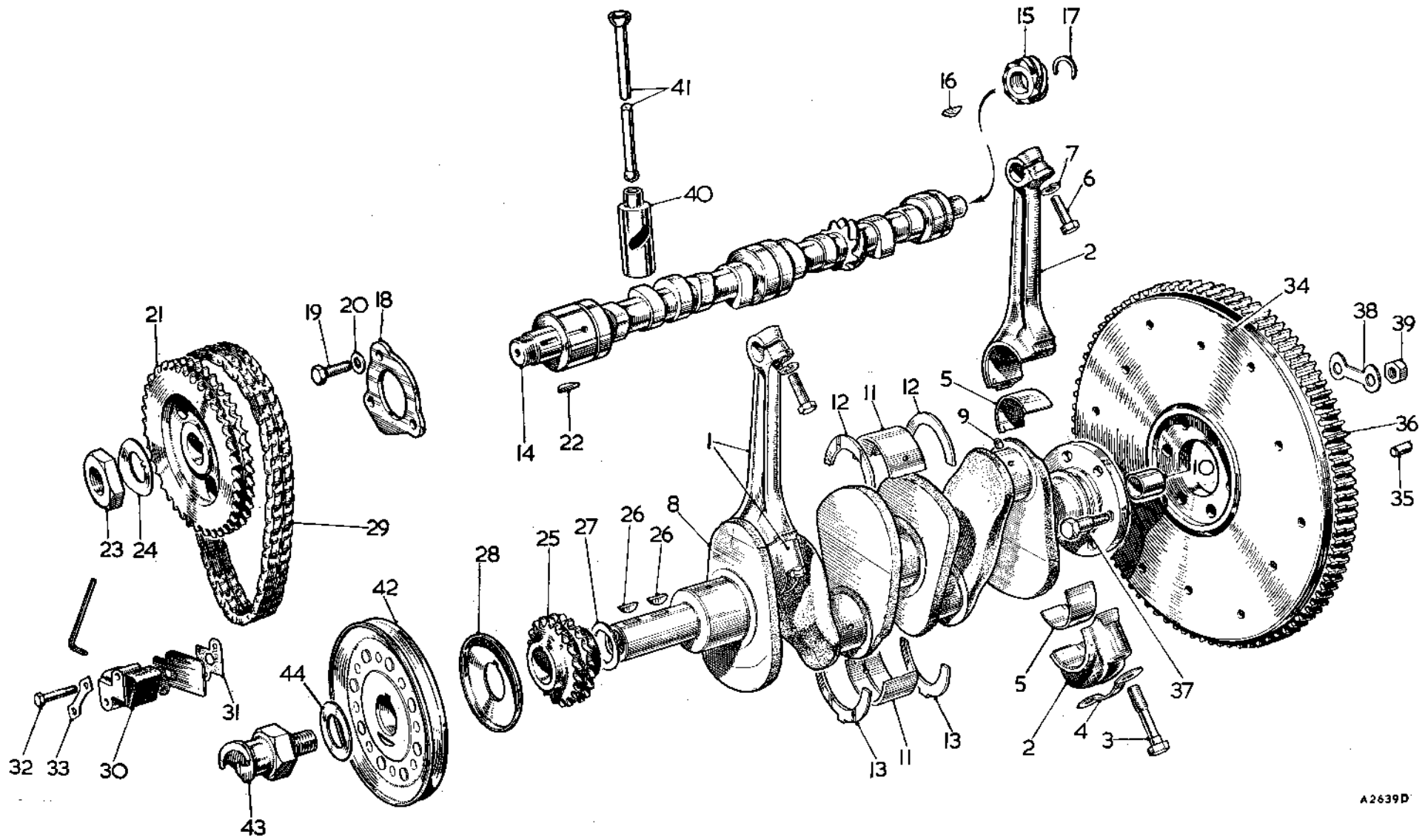
A0805F



Item No.	DESCRIPTION	Commencing (E) 16GC/H101		Quantity	MODIFICATIONS		REMARKS
		Part Number	Illus. No.		New Part Number	Change Point	
<b>CONNECTING ROD AND BEARINGS</b>							
1	Connecting rod and cap nos. 1 and 3 cylinders	12H426	1	2			
2	Connecting rod and cap nos. 2 and 4 cylinders	12H424	2	2			
3	Screw—cap	51K1388	3	8			
4	Washer—lock—screw	6K881	4	4			
5	<b>Bearing—connecting rod—big end (standard)</b>	8G2285	5	1 set			
6	Bearing—connecting rod—big end .010" (.254 mm.) u/s	8G228510		1 set			
7	Bearing—connecting rod—big end .020" (.508 mm.) u/s	8G228520		1 set			
8	Bearing—connecting rod—big end .030" (.762 mm.) u/s	8G228530		1 set			
9	Bearing—connecting rod—big end .040" (1.016 mm.) u/s	8G228540		1 set			
10	Screw—clamping	51K1774	6	4			
11	Washer—spring—screw	2K5319	7	4	LWN305		2K5319 not available; use LWN305
<b>CRANKSHAFT AND CAMSHAFT</b>							
12	<b>Crankshaft</b>	12H428	8	1			
13	Restrictor—oil	11G1167	9	4			
14	Bush—1st motion shaft	1G765	10	1			
15	Crankshaft with bearings (reground)	48G226		1	48G258		48G226 not available; use LWN305
16	<b>Bearing—main (standard)</b>	8G2323	11	1 set			
17	Bearing—main .010" (.254 mm.) u/s	8G232310		1 set	8G233510		8G232310 not available; use 8G233510
18	Bearing—main .020" (.508 mm.) u/s	8G232320		1 set			
19	Bearing—main .030" (.762 mm.) u/s	8G232330		1 set	8G233530		8G232330 not available; use 8G233530
20	Bearing—main .040" (1.016 mm.) u/s	8G232340		1 set	8G233540		8G232340 not available; use 8G233540
21	Washer—thrust (upper) (standard)	1G2331	12	2			
22	Washer—thrust (upper) .003" (.0762 mm.) o/s	1G233103		2			
23	Washer—thrust (lower) (standard)	1G2332	13	2			
24	Washer—thrust (lower) .003" (.0762 mm.) o/s	1G233203		2			
25	<b>Camshaft</b>	88G252	14	1			Part No. change; was 1H720 and 1H1435
26	<b>Gear—tachometer drive</b>	1H730	15	1			
27	Key—tachometer gear	WKN304	16	1			
28	Spring ring—tachometer gear	1H605	17	1			
29	Plate—camshaft locating	11G136	18	1			
30	Screw—locating plate to crankcase	HNS0406	19	3			
31	Washer—shakeproof—screw	LWN404	20	3			
32	<b>Gear—camshaft</b>	11G203	21	1			
33	Key—camshaft gear	WKN505	22	1			
34	Nut—camshaft gear	6K629	23	1			
35	Washer—lock—nut	2A759	24	1			







A2639D

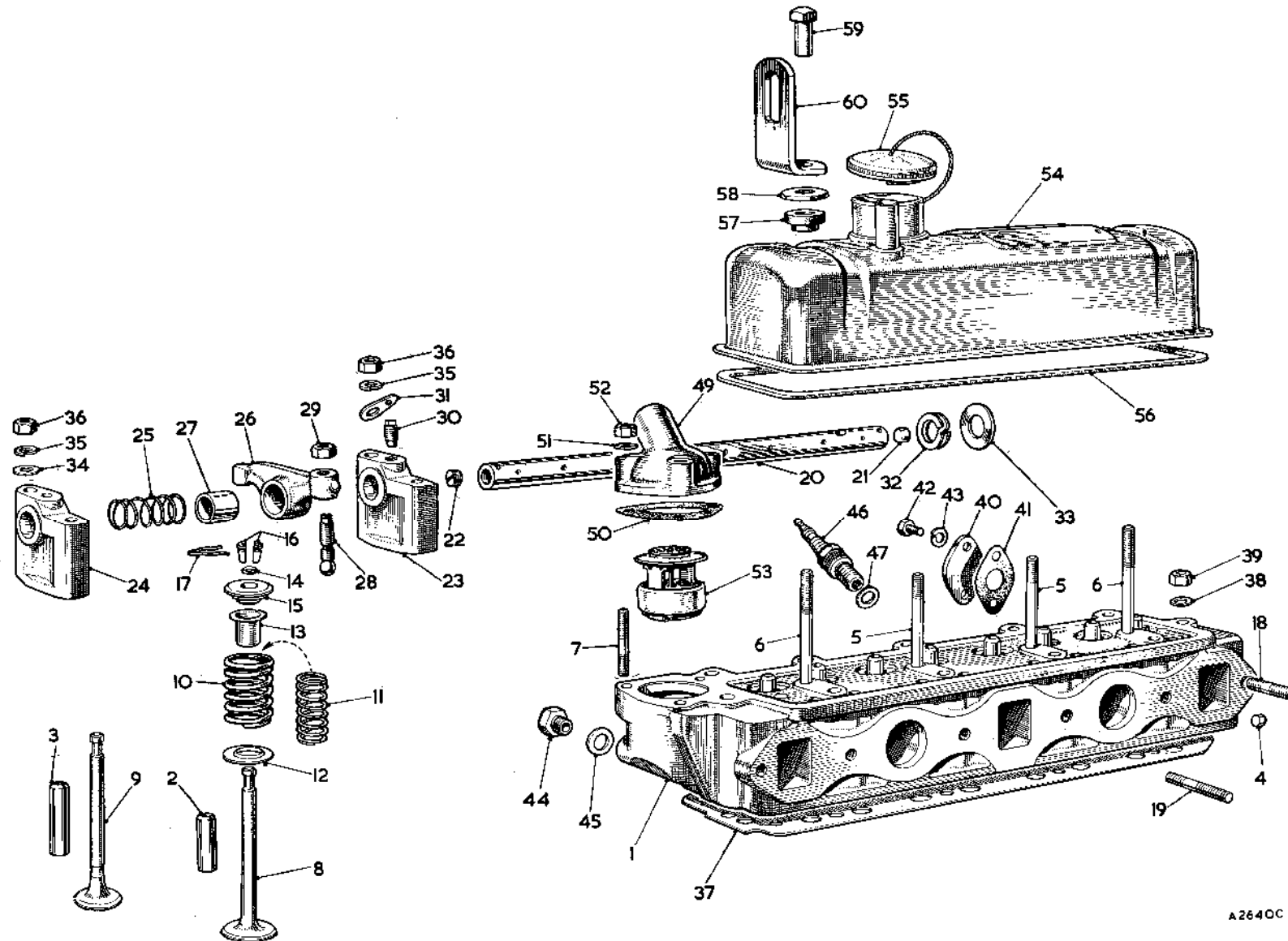
**SERVICE PARTS LIST**

**THE MGA 1600**

Item No.	DESCRIPTION	Commencing (E) 16GC/H101		Quantity	MODIFICATIONS		REMARKS
		Part Number	Illus. No.		New Part Number	Change Point	
	<b>Crankshaft and Camshaft—continued</b>						
1	<b>Gear—crankshaft</b>	1A2028	25	1			
2	Key—crankshaft gear and pulley	2H326	26	2			
3	Washer—packing	2K6633	27	A/R			
4	Thrower—oil—crankshaft front	1A1546	28	1	12H1775	Com. (E) 16GC/8263	
5	Chain—timing	2H4905	29	1			
6	Tensioner assembly—chain	17H343	1				Not available; use component parts
7	Tensioner assembly	17H6080	1				
8	Slipper head	17H131	1				
9	Key—Allen	17H6679	1				Service purposes only
10	Joint washer—tensioner	AEC339	31	1			
11	Screw—tensioner to crankcase	1H3N0412	32	2			
12	Washer—lock—screw	AEC340	33	1			
13	Bolt—flywheel to crankshaft	51K1022	37	6			
14	Washer—lock—bolt	6K26	38	3			
15	Nut—bolt	FNZ506	39	6			
	<b>FLYWHEEL</b>						
16	<b>Flywheel with starter ring gear and dowels</b>	1H651	34	1	12H587	Com. (E) 16GC/3708	
17	Dowel—clutch to flywheel	1G2984	35	2			
18	Ring gear—starting <b>Not U.K.</b>	1G2874	36	1			
	<b>TAPPETS AND PUSH-RODS</b>						
19	<b>Tappet (standard)</b>	1H822	40	8			
20	Tappet .010" (254 mm.) o/s	1H082210		8			
21	Tappet .020" (508 mm.) o/s	1H082220		8			
22	<b>Push-rod</b>	11G241	41	8			Alternative's
23	<b>Push-rod</b>	12H1306					
	<b>CRANKSHAFT PULLEY</b>						
24	<b>Pulley—crankshaft</b>	11G81	42	1	12H773	Com. (E) 16GC/8263	
25	Nut—starting	1H765	43	1			
26	Washer—lock—starting nut	1G1319	44	1			

Item No.	DESCRIPTION	Commencing (E) 16GC/H101		Quantity	MODIFICATIONS		REMARKS
		Part Number	Illus. No.		New Part Number	Change Point	
	<b>CYLINDER HEAD—VALVES—GUIDES— SPRINGS—ROCKERS</b>						
1	Cylinder head assembly (less rocker gear)	48G216		1			Not available; use component parts
2	Cylinder head with valve guides	48G215	1	1			
3	Guide—inlet valve	12H494	2	4			
4	Guide—exhaust valve	11G193	3	4			
5	Plug—oil hole	6K872	4	1			
6	Stud—rocker bracket (short)	51K881	5	2			
7	Stud—rocker bracket (long)	51K893	6	2			
8	Stud—water outlet elbow	53K531	7	3			
9	<b>Valve—inlet</b>	12H435	8	4			
10	<b>Valve—exhaust</b>	12H436	9	4			
11	Spring—valve (outer)	6K873	10	8			
12	Spring—valve (inner)	1H723	11	8			
13	Collar—valve spring	1H1321	12	8			
14	Shroud—valve guide	1H1320	13	8			
15	Ring—valve packing	AEK113	14	8			
16	Cup—valve spring	1H1319	15	8			
17	Cotter—valve (halves)	1K300	16	16			
18	Circlip—valve cotter	1K372	17	8			
19	Stud—exhaust manifold to cylinder head	FHS2513	18	2			
20	Stud—inlet and exhaust manifold to cylinder head	53K490	19	4			
21	<b>Shaft assembly—valve rocker</b>	1G2522		1			
22	<b>Shaft—valve rocker (plugged)</b>	11G62	20	1			
23	Plug—valve rocker (plain)	6K878	21	1			
24	Plug—valve rocker (screwed)	2K4608	22	1			
25	<b>Bracket—rocker shaft (tapped)</b>	12H389	23	1			
26	<b>Bracket—rocker shaft (plain)</b>	12H390	24	3			
27	Spring—rocker spacing	6K871	25	3			
28	<b>Rocker—valve—bushed</b>	11G45	26	8			
29	Bush—valve rocker	1G2295	27	8			
30	Rivet—valve rocker	5C2436		8			
31	Screw—tappet adjusting	48C207	28	8			
32	Nut—tappet adjusting screw (lock)	51K1178	29	8			
33	Screw—rocker shaft locating	2A258	30	1			
34	Plate—locating screw (lock)	2A259	31	1			
35	Washer—spring—rocker shaft	1A2139	32	2			
36	Washer—rocker shaft	2K6804	33	2			
37	Washer—plain—rocker bracket stud	PWN105	34	3			
38	Washer—spring—rocker bracket stud	2K5319	35	4	LWN305		2K5319 not available; use LWN305
39	Nut—rocker bracket stud	FNN105	36	4			
40	<b>Joint—cylinder head</b>	12H433	37	1			
41	Washer—plain—cylinder head stud	PWN106	38	11			
42	Nut—cylinder head stud	53K371	39	11	51K371		Not available use 51K371

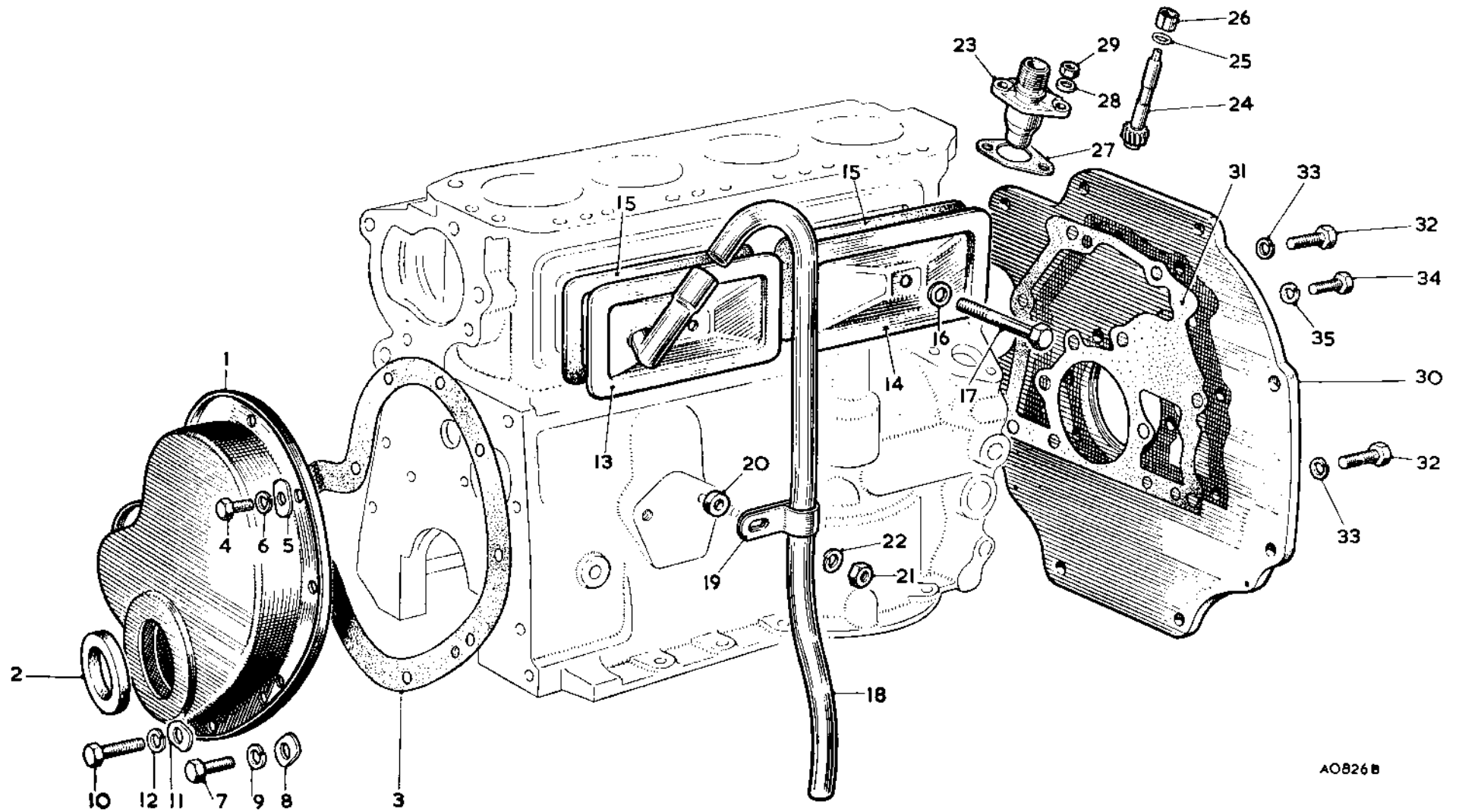




A2640C

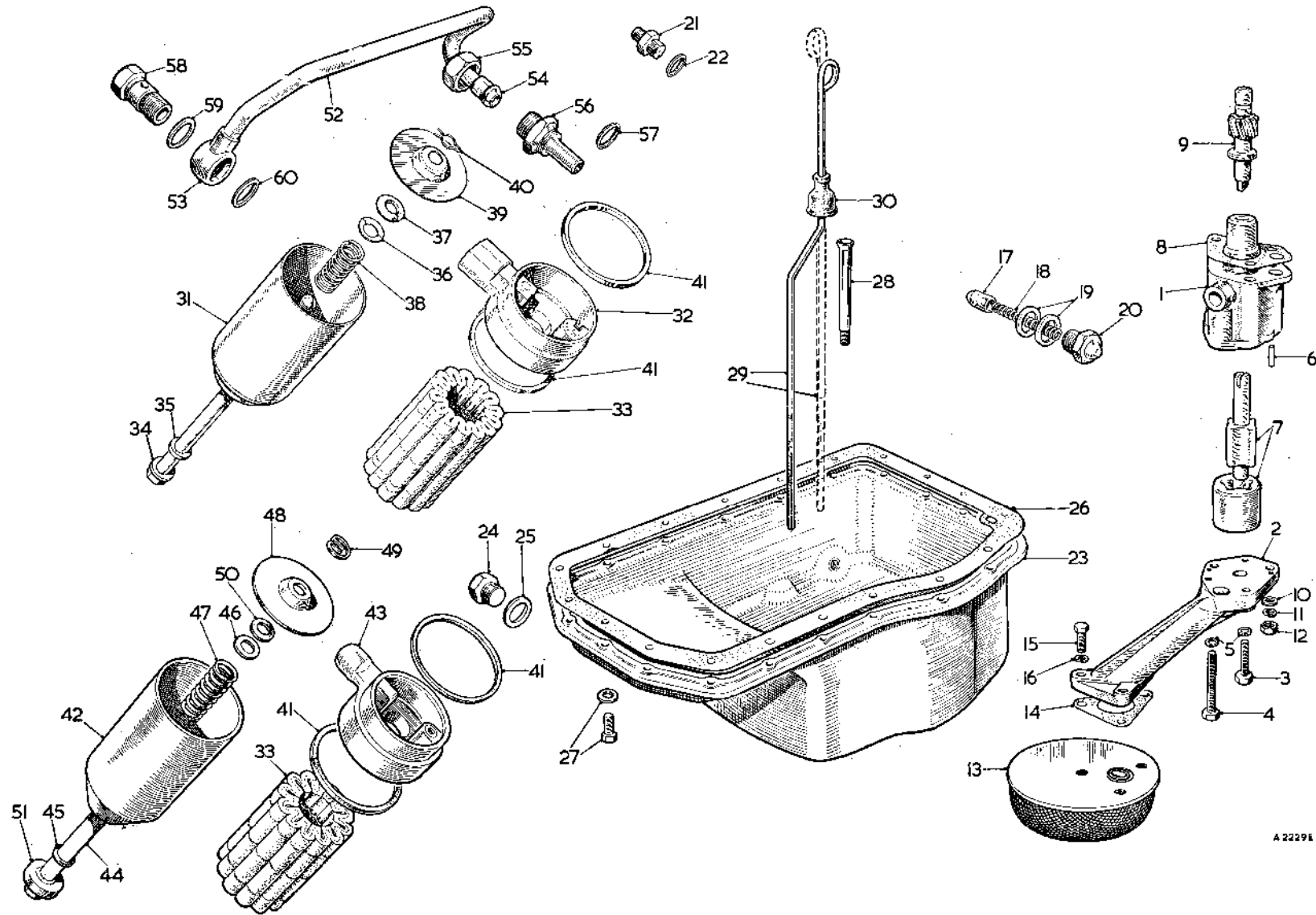
Item No.	DESCRIPTION	Commencing (E) 16GC/H101		Quantity	MODIFICATIONS		REMARKS
		Part Number	Illus. No.		New Part Number	Change Point	
	<b>Cylinder Head—Valves—Guides—Springs—Rockers—continued</b>						
1	Plate - heater outlet elbow blanking	1G1282	40	1			
2	Joint washer—blanking plate	1G2342	41	1			
3	Screw -plate to cylinder head	HZS0404	42	2			
4	Washer -spring—screw	LWN304	43	2			
5	Plug—thermal transmitter boss	1G2953	44	1			
6	Washer—plug	1B3664	45	1			
	<b>SPARKING PLUGS</b>						
7	Plug—sparking	3H2006	46	4			
8	Gasket for plug	88G210	47	4			Part No. change; was 11G145 and 2K5211
	<b>WATER OUTLET ELBOW—THERMOSTAT</b>						
9	Elbow—water outlet	1U727	49	1			
10	Joint—elbow to cylinder head	12A29	50	1			
11	Washer -plain—stud in cylinder head	PWZ105	51	3			
12	Nut -stud	FNZ105	52	3			
13	Thermostat	11K309	53	1			
	<b>VALVE ROCKER COVER—OIL FILLER</b>						
14	Cover—valve rocker	1H1339	54	1			
15	Cap and cable—oil filler	8G612	55	1			
16	Joint—cover	12H37	56	1			
17	Bracket—engine sling	2A320	60	2			
18	Bush—cover (rubber)	2K8568	57	2			
19	Washer—cup nut	1A2156	58	2			
20	Nut—cover	2A150	59	2			

Item No.	DESCRIPTION	Commencing (E) 16GC/11101		Quantity	MODIFICATIONS		REMARKS
		Part Number	Illus. No.		New Part Number	Change Point	
<b>CYLINDER, FRONT AND SIDE COVERS</b>							
1	Cover—front (with oil catcher and felt)	11G98	1	1		] Fin. (E) 16GC/8262	
2	Ring—crankcase front cover (felt)	2K7140	2	1			
3	Cover—front			1	12H771	] Com. (E) 16GC/8263	
4	Seal—oil (rubber)			1	2A939		
5	Joint—front cover	11G95	3	1			
6	Screw—front cover to front plate	HZS0403	4	3			
7	Washer—plain—screw	2K5197	5	3			
8	Washer—spring—screw	LWN204	6	3			
9	Screw—front cover to mounting plate and crankcase	HZS0506	7	4			
10	Washer—plain—screw	2K7440	8	4			
11	Washer—spring—for screw	LWN205	9	4			
12	Screw—front cover to bearing cap	HZS0406	10	2			
13	Washer—plain—screw	2K5197	11	2			
14	Washer—spring—screw	LWN204	12	2			
15	Cover—cylinder side—front (with elbow)	12H156	13	1	12H950		12H156 not available; use 12H950
16	Cover—cylinder side—rear	12H152	14	1	12H941		12H152 not available; use 12H941
17	Joint—rear cover	12A24	15	2			
18	Screw—side cover to crankcase	HBZ0513	17	2			
19	Washer—plain—screw	2K4958	16	2			
20	Pipe—crankcase vent	1H871	18	1			
21	Clip—pipe	1G2602	19	1	12H981		1G2602 not available; use 12H981
22	Distance piece—clip to crankcase	1H840	20	1			
23	Nut—stud—pipe to crankcase	FNZ105	21	1			
24	Washer—spring—nut	LWZ205	22	1			
<b>TACHOMETER DRIVE</b>							
25	Housing—tachometer drive pinion	1H591	23	1			
26	Pinion—tachometer drive	1H721	24	1			
27	Oil seal—pinion	1G2398	25	1			
28	Ring—oil seal retaining	1G2399	26	1			
29	Joint—tachometer pinion housing	1G2401	27	1			
30	Washer—plain—tachometer housing stud	FWZ105	28	2			
31	Nut—stud	FNZ105	29	2			
<b>GEARBOX MOUNTING PLATE</b>							
32	Plate—gearbox mounting	1H821	30	1			
33	Joint—mounting plate to crankcase	1G2425	31	1			
34	Screw—mounting plate to crankcase	53K1777	32	8			
35	Washer—spring—screw	LWZ306	33	8			
36	Screw—mounting plate to crankcase	53K1776	34	4			
37	Washer—spring—screw	LWZ305	35	4			



AOB26B





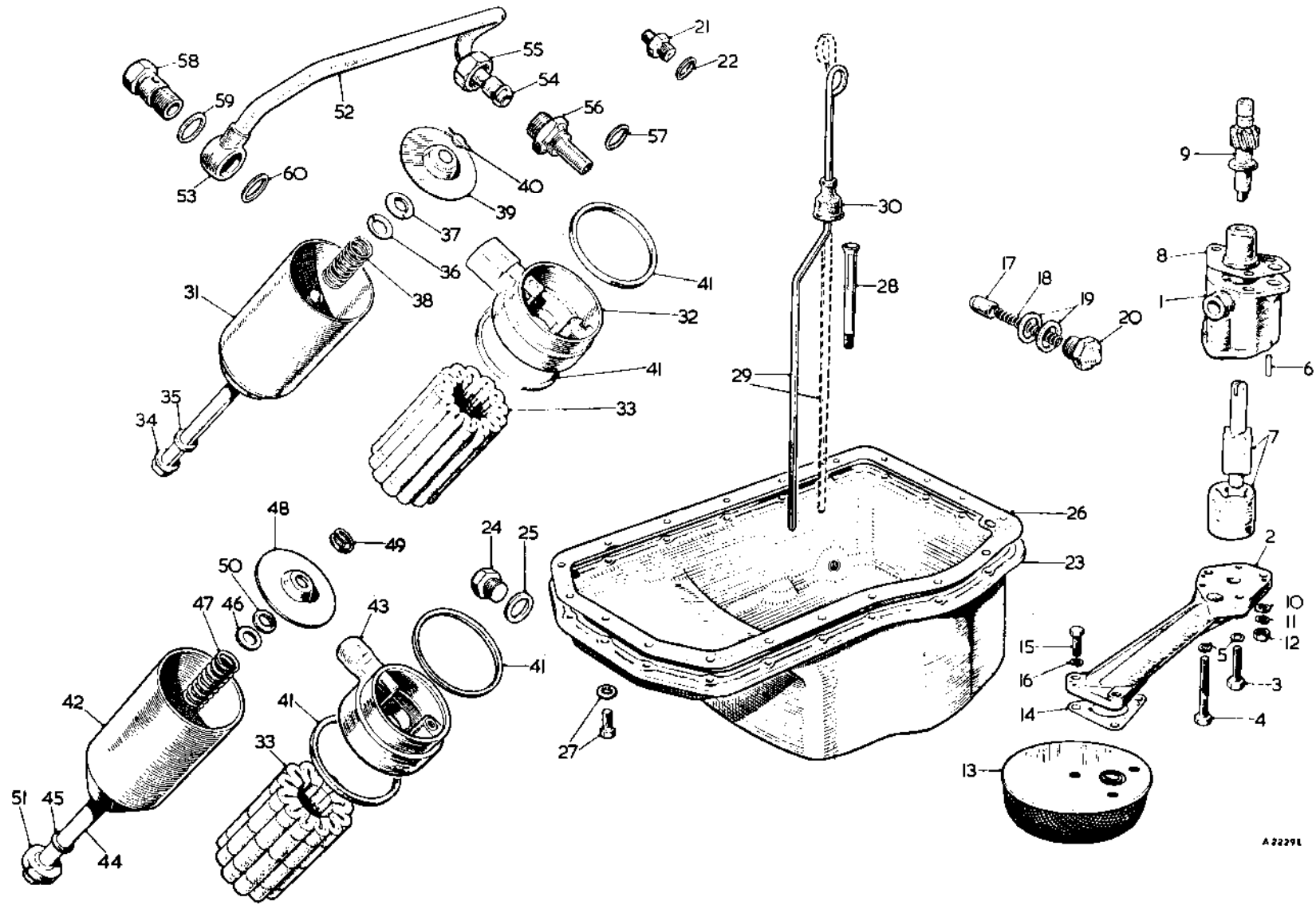
A 22291

Item No.	DESCRIPTION	Commencing (E) 16GC/11101		Quantity	MODIFICATIONS		REMARKS
		Part Number	Illus. No.		New Part Number	Change Point	
	<b>OIL PUMP—STRAINER—RELEASE VALVE</b>						
1	<b>Pump assembly—oil</b>	88G296		1			
2	Body with plug	N.S.P.	1	1			
3	Cover	17H1712	2	1			
4	Screw—cover (short)	HNS0408	3	1			
5	Screw—cover (long)	HNS0414	4	1			
6	Washer—spring—screw	LWN204	5	2			
7	Dowel	7H1793	6	2			
8	<b>Shaft—driving (with rotors)</b>	7H1792	7	1			
9	Joint—pump to crankcase	11G10	8	1			
10	Spindle—oil pump driving	11G12	9	1			
11	Washer—plain—stud	PWN105	10	3			
12	Washer—spring—stud	2K5319	11	3	LWN305		2K5319 not available; use LWN305
13	Nut—stud—oil pump to crankcase	FNN105	12	3			
14	<b>Strainer—oil</b>	1211998	13	1	1211984		1211998 not available; use 1211984
15	Joint washer—strainer to pump	11H1198	14	1			
16	Bolt—oil strainer to pump	HNS0407	15	3			
17	Washer—spring—bolt	LWN304	16	3			
18	<b>Valve—oil release</b>	1G1452	17	1			
19	Spring—oil release valve	1H756	18	1			
20	Washer—cap nut	2K4982	19	2			
21	Nut—cap—oil release valve	1A2206	20	1			
22	Union—oil pressure	11G15	21	1			
23	Washer—union	6K638	22	1			

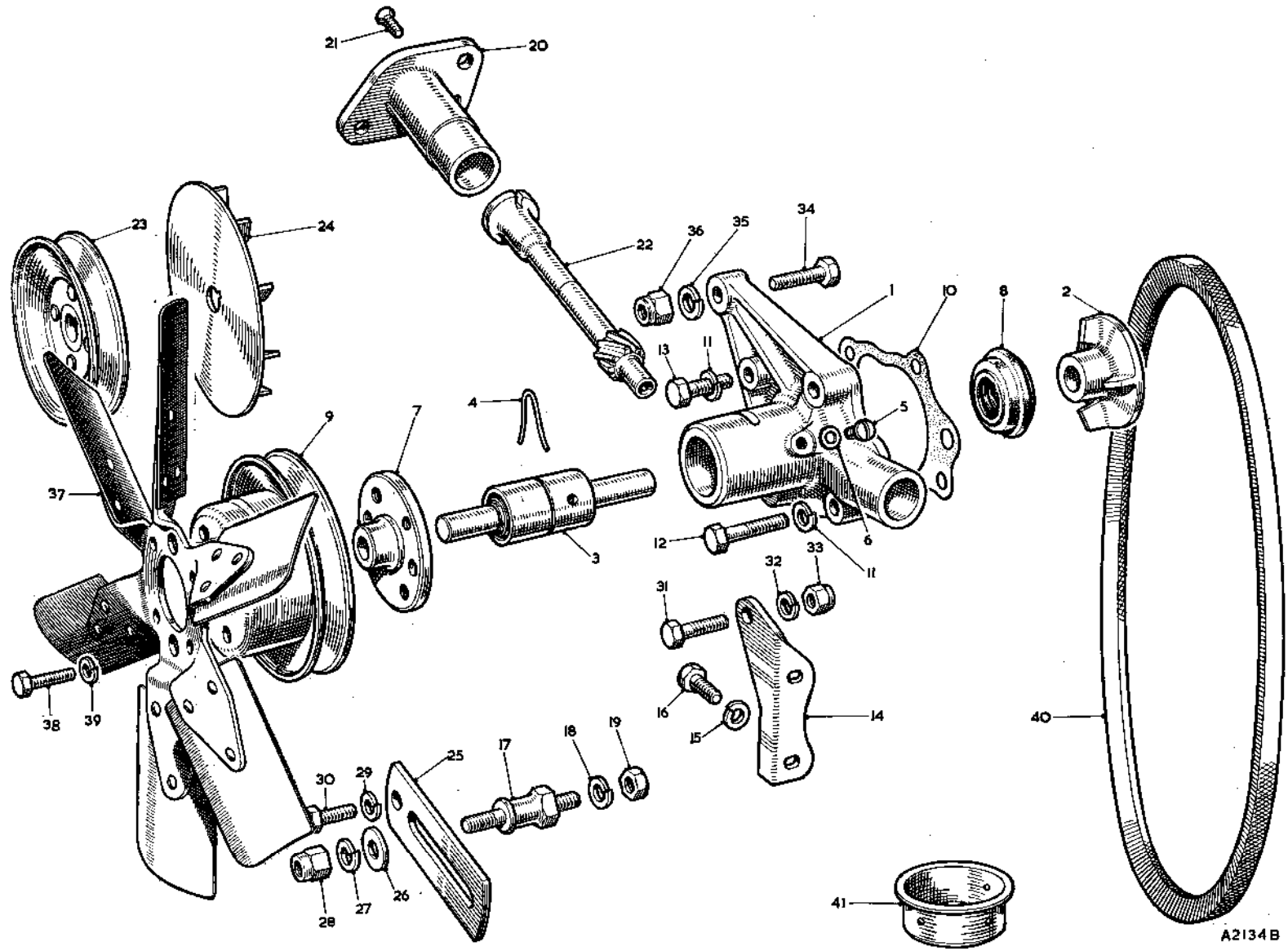
SERVICE PARTS LIST

THE MGA 1600

Item No.	DESCRIPTION	Commencing (L) 16GC/11101		Quantity	MODIFICATIONS		REMARKS
		Part Number	Illus. No.		New Part Number	Change Point	
<b>OIL RESERVOIR—DIPPER ROD</b>							
1	Reservoir—oil	12H395	23	1			
2	Plug—drain	88G257	24	1			Part No. change; was 2F4249 and 2A380
3	Washer—drain plug	6K638	25	1			
4	Joint—reservoir to crankcase	12H397	26	1	88G256		12H397 not available; use 37H996
5	Screw with captive washer—reservoir to crankcase	6K639	27	19			Not available; use HZS0404 with LWZ404
6	Screw—reservoir to crankcase	HZS0404		19			
7	Washer—screw (shakeproof)	LWZ404		19			
8	Tube—oil dipper rod	1B1063	28	1			
9	Rod—oil level indicator	12H71	29	1			
10	Cover—oil level indicator (dust)	1B1735	30	1			
<b>OIL FILTER AND PIPE</b>							
11	Filter assembly—oil (Tecalemit)	N.S.P.		1			Was 1H1067
12	Container	1H1069	31	1			
13	Head assembly	1H1068	32	1			
14	Element	8G683	33	1			
15	Bolt—centre	7H1965	34	1			
16	Washer—scaling	7H1948	35	1			
17	Washer (steel)	7H1969	36	1			
18	Washer—felt	7H1968	37	1			
19	Spring	7H1764	38	1			
20	Plate—pressure	17H846	39	1			
21	Circlip	7H1952	40	1			
22	Joint ring—body to filter head and crankcase	8G619	41	2			
23	Filter assembly—oil (Purolator)	N.S.P.		1			Was 1H1051
24	Body assembly	1H1053	42	1			
25	Head assembly	1H1052	43	1			
26	Element	8G683	33	1			
27	Bolt—centre	17H1558	44	1			
28	Ring—sealing	17H1556	45	1			
29	Washer—filter	17H1448	46	1			
30	Spring	17H1449	47	1			
31	Plate—pressure	17H1446	48	1			
32	Circlip	17H1557	49	1	37H996	Com. (R) not available	17H1557 not available; use 37H996
33	Joint ring—body to filter head and crankcase	8G619	41	2			
34	Seal	17H1447	50	1			
35	Collar—centre bolt	17H1559	51	1			
36	Pipe assembly—filter to crankcase	1H1056	52	1			
37	Banjo union	1K2141	53	1			
38	Nipple—pipe	2K5163	54	1			
39	Nut—nipple	2K5164	55	1			
40	Adaptor—full flow filter connection	1H922	56	1			
41	Joint washer—adaptor	6K501	57	1			
42	Screw—banjo union	1K2142	58	1			
43	Washer—screw (outer)	1H898	59	1			
44	Washer—screw (inner)	6K501	60	1			



A 92291



Item No.	DESCRIPTION	Commencing (E) 16GC/11101		Quantity	MODIFICATIONS		REMARKS
		Part Number	Illus. No.		New Part Number	Change Point	
<b>WATER PUMP AND PULLEY</b>							
1	<b>Pump assembly—water (with hub less pulley)</b> .....	1H1140		1	12H830		1111140 not available; use 12H830 was 1H1151
2	Body .....	N.S.P.	1	1			
3	Vane .....	1H1152	2	1			
4	<b>Bearing (with spindle)</b> .....	1111153	3	1			
5	Wire bearing locating .....	2A778	4	1			
6	Screw—lubricating point .....	53K1433	5	1			
7	Washer—screw (fibre) .....	2K4974	6	1			
8	Hub—pulley .....	8G724	7	1			
9	Seal—water pump .....	8G698	8	1	13H772		Part No. change; was 1H1154 8G698 not available; use 13H772
10	Pulley—fan and water pump .....	11G200	9	1	8G742		11G200 not available; use 8G742
11	Joint—pump to crankcase .....	1G2302	10	1			
12	Washer—spring—screw .....	2K5319	11	4	LWN305		2K5319 not available; use LWN305
13	Screw—pump to crankshaft (long) .....	11BZ0512	12	2			
14	Screw—pump to crankshaft (short) .....	11ZS0509	13	2			
<b>DYNAMO AND DISTRIBUTOR MOUNTING</b>							
15	Bracket—dynamo—rear .....	2A758	14	1	12A526		2A758 not available; use 12A526
16	Washer—spring—for screw .....	2K5319	15	2			
17	Screw—bracket to crankshaft .....	11ZS0506	16	2			
18	Pillar—dynamo adjusting link .....	2A128	17	1			
19	Washer—spring—pillar .....	LWN306	18	1			
20	Nut—dynamo pillar .....	FNZ506	19	1			
21	<b>Housing—distributor</b> .....	1G2285	20	1			
22	Screw—housing to crankcase .....	53K1206	21	1			
23	<b>Spindle—distributor driving</b> .....	2A139	22	1			] Alternatives not available; use 1G2062
24	Spindle—distributor driving .....	2A847		1			
25	Spindle—distributor driving .....			1	1G2062		

Item No.	DESCRIPTION	Commencing (E) 16GC/11101		Quantity	MODIFICATIONS		REMARKS
		Part Number	Illus. No.		New Part Number	Change Point	
	<b>Dynamo and distributor mounting—continued</b>						
1	Pulley—dynamo	12H171	23	1	12H1178		12H71 not available; use 12H1178
2	Fan—dynamo	17D11	24	1			
3	Link—dynamo adjusting	2A497	25	1	12H67		2A497 not available; use 12H67
4	Washer—plain—nut	PWN106	26	1			Part No. change was 2K9932
5	Washer—spring—nut	LWZ306	27	1			
6	Nut—adjusting link	LNZ206	28	1			
7	Screw—adjusting link to pillar	ZCS0505	30	1			
8	Washer—spring—screw	2K5319	29	1	LWN305		2K5319 not available; use LWN305
9	Bolt—dynamo to mounting bracket	HZS0509	31	1			
10	Washer—spring—screw	2K5319	32	1	LWN305		2K5319 not available; use LWN305
11	Nut—bolt	LNZ205	33	1			
12	Bolt—dynamo to water pump	HBZ0514	34	1			
13	Washer—spring—bolt	2K5319	35	1	LWN305		2K5319 not available; use LWN305
14	Nut—bolt	LNZ205	36	1			





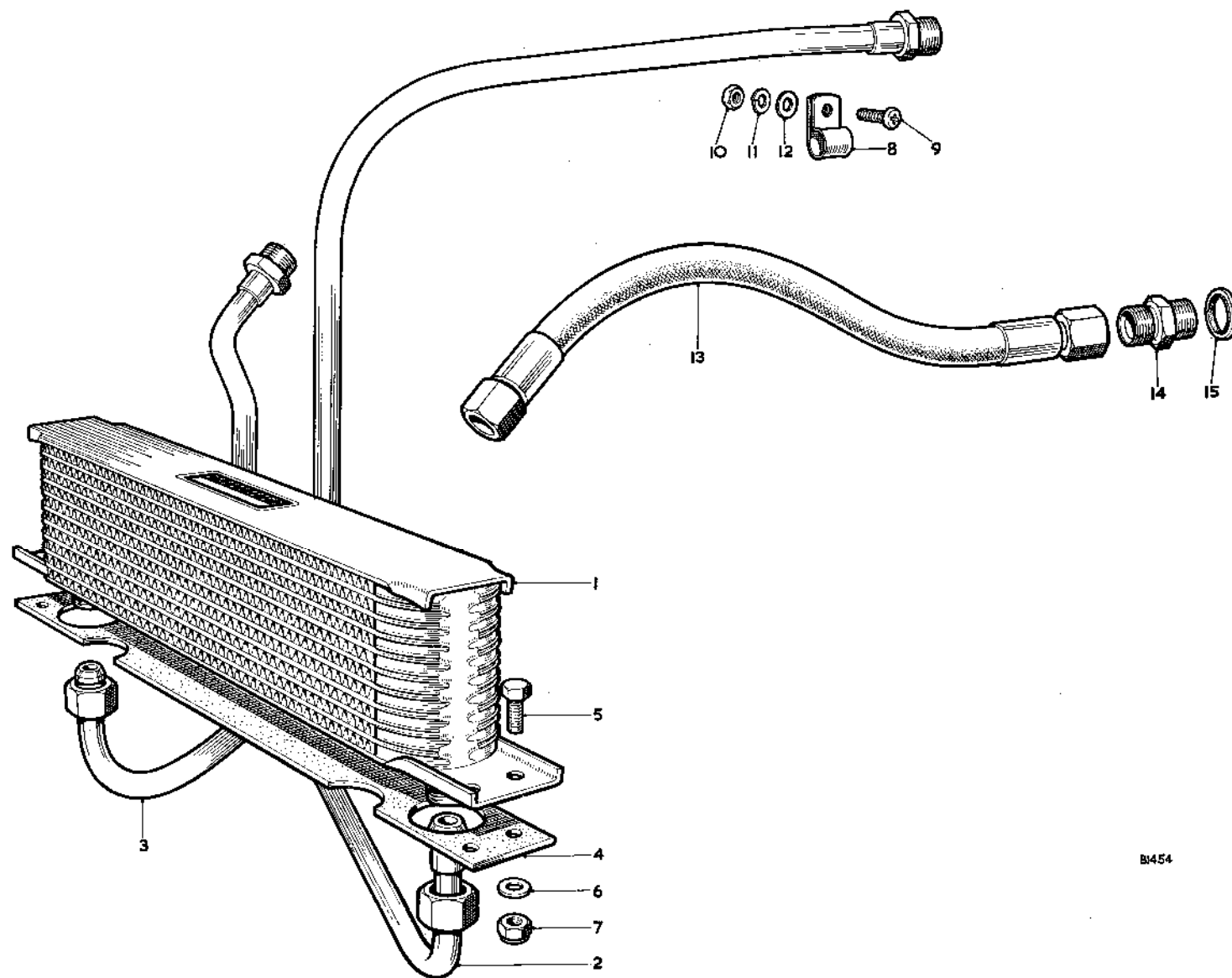




SERVICE PARTS LIST

THE MGA 1600

Item No.	DESCRIPTION	Commencing (E) 16GC/H101		Quantity	MODIFICATIONS		REMARKS
		Part Number	Illus. No.		New Part Number	Change Point	
	<b>ENGINE SERVICE KITS</b>						
1	Joint set—decarbonising .....	48G220		1			
2	Joint—cylinder head .....			1			
3	Joint—manifold .....			1			
4	Joint—valve rocker cover .....			1			
5	Ring—valve packing (rubber) .....			8			
6	Joint—water outlet elbow .....			1			
7	Joint—carburetter and heat shield .....			6			
8	Joint—heater outlet blanking plate .....			1			
9	Joint—air cleaner to carburetter .....			2			
10	Joint set—supplementary .....	48G221		1	48G242		48G221 not available; use 48G242 } Use with relevant joint set for complete engine
11	Ring—crankcase front cover (felt) .....	2K7140		1			
12	Joint—main bearing cap .....			2			
13	Joint—oil strainer to oil pump .....			1			
14	Joint—pump to crankcase .....			1			
15	Joint—oil reservoir .....			1			
16	Joint—cylinder side cover to crankcase .....			2			
17	Joint—water pump to crankcase .....			1			
18	Washer—drain plug .....			1			
19	Joint—gearbox mounting plate to crankcase .....			1			
20	Joint—oil filter to crankcase .....			1			
21	Joint—oil pipe adaptor .....			1			
22	Joint—front engine mounting plate .....			1			
23	Joint—front cover .....			1			
24	Joint—chain tensioner .....			1			
25	Washer—cylinder drain tap .....			1			
26	<b>Chain tensioner servicing kit</b> .....	17H341		1			
27	Spring .....			1			
28	Bottom plug .....			1			
29	Tab washer .....			1			
30	Cylinder .....			1			
31	<b>Kit—water pump repair</b> .....	8G2373		1			
32	Vane .....			1			
33	Hub .....			1			
34	Bearing (with spindle) .....			1			
35	Wire—bearing locating .....			1			
36	Screw—lubricating point .....			1			
37	Washer—screw (fibre) .....			1			
38	Seal .....			1			
39	Joint—pump to crankcase .....			1			



B454

**SERVICE PARTS LIST**

**THE MGA 1600**

Item No.	DESCRIPTION	Commencing (C) 102737		Quantity	MODIFICATIONS		REMARKS
		Part Number	Illus. No.		New Part Number	Change Point	
	<b>OIL COOLER (STANDARD EQUIPMENT—NOT U.K.)</b>						
1	Kit—oil cooler	8G2282		1			Standard model All round disc brakes ] Not available; use component parts
2	Kit—oil cooler	8G2325		1			
3	Cooler—oil	ARH113		1	ARH185		ARH113 not available; use ARH185
4	Pipe—filter to cooler	AHH5892	2	1			Standard model
5	Pipe—filter to cooler	AHH6045		1			All round disc brakes
6	Pipe—block to cooler	AHH5891	3	1			Standard model
7	Pipe—block to cooler	AHH6046		1			All round disc brakes
8	Packing—cooler	AHH5902	4	1			
9	Screw—cooler to front apron	IIZS0406	5	4			
10	Washer—plain	PWZ104	6	4			
11	Nut	LNZ104	7	4			
12	Clip—pipe	PCR0809	8	2			
13	Screw—clip to wheelarch	PMZ0308	9	2			
14	Nut	FNZ103	10	2			
15	Washer—spring	LWZ103	11	2			
16	Washer—plain	PWZ103	12	2			
17	Pipe—flexible	AHH5883	13	2	AHH6296	Com. (C) 103030	AHH5883 not available; use AHH6296
18	Adaptor union	ARH1113	14	1			] Not available; use AHH6701
19	Seal—bonded	ARH1112	15	1			
20	Adaptor union assembly			1	AHH6701		