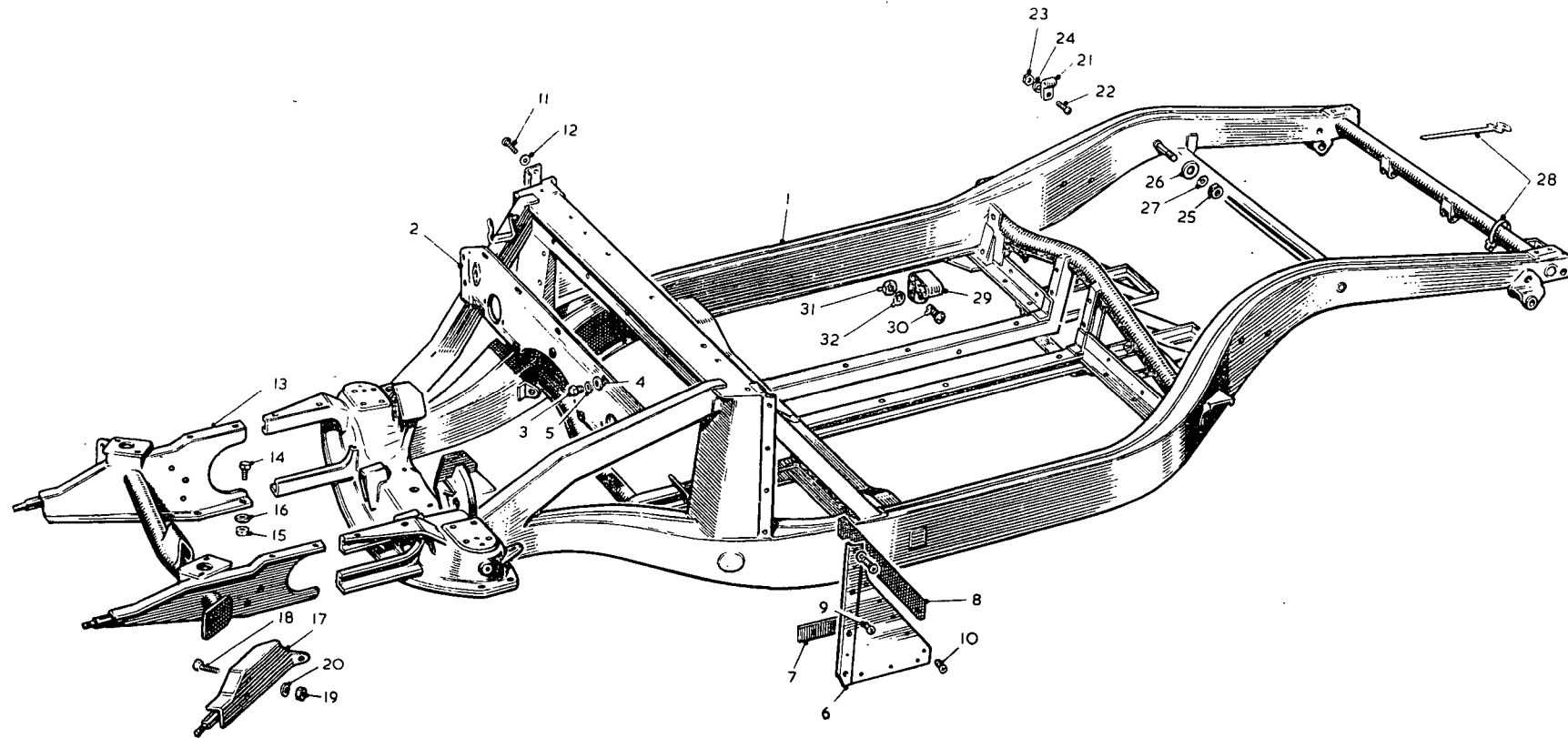


SERVICE PARTS LIST

THE M.G. Series MGA 1500

Item No.	DESCRIPTION	Commencing (C) 10101		Qty. per Vehicle		Unit of Issue	Type of Vehicle	MODIFICATIONS			REMARKS
		Part Number	Illus. No.	RHD	LHD			New Part Number	Change Point	Amdt. No.	
	CHASSIS FRAME										
1	Chassis frame complete	AHH5002	Q1	1	1						
2	Toeboard support plate assembly	AHH5293	Q2	1	1						
3	Screw for toeboard plate to goal-post	HPZ0406	Q3	9	9						
4	Washer for plate to post screw (plain)	PWZ104	Q4	9	9						
5	Washer for plate to post screw (spring)	LWZ204	Q5	9	9						
6	Cover-plate—R/H—goal-post	AHH5343		1	1						
7	Cover-plate—L/H—goal-post	AHH5344	Q6	1	1						
8	Felt—seal for cover-plate—lower	AHH5345	Q7	2	2						
9	Felt—seal for cover-plate—upper	AHH5346	Q8	2	2						
10	Screw for cover-plate to post (vertical)	CTZ803	Q9	6	6						
11	Screw for cover to post stay	PTZ1003	Q10	8	8						
12	Screw for cover-plate to goal-post stay (vertical)	PTZ1005	Q11	2	2						
13	Washer for screw (plain)	PWZ203	Q12	2	2						
14	Front extension assembly	AHH5129	Q13	1	1			AHH5924	Com. (C) 66574		
15	Screw for extension to frame bracket	HZS0606	Q14	8	8						
16	Nut for extension to frame bracket screw	FNZ106	Q15	8	8						
17	Washer for extension/frame screw (spring)	LWZ206	Q16	8	8						
18	Bracket assembly—R/H—bumper support	AHH5139		1	1						
19	Bracket assembly—L/H—bumper support	AHH5140	Q17	1	1						
20	Screw for bracket assembly to front extension	HNS0506	Q18	6	6						
21	Nut for bracket to front extension screw	FNZ105	Q19	6	6						
22	Washer for bracket to front extension screw (spring)	LWZ206	Q20	6	6						
23	Clip for tail lamp harness to side-member	PCR0407	Q21	2	2						
24	Screw for tail lamp harness clip	PMZ0306	Q22	2	2						
25	Nut for clip screw	FNZ103	Q23	2	2						
26	Washer for clip screw (spring)	LWZ203	Q24	2	2						
27	Nut for rebound strap spindle	FNZ106	Q25	2	2						
28	Washer for rebound strap spindle (plain)	PWZ206	Q26	2	2						
29	Washer for rebound strap spindle (spring)	LWZ206	Q27	2	2						
30	Strap for tail lamp cable to rear cross-member	AHH5506	Q28	2	2						
31	Clip for battery cable and harness	AHH5248	Q29	6	6						
32	Screw for clip to clip bracket on frame	PMZ0308	Q30	6	6						
33	Nut for clip to clip bracket on frame screw	FNZ103	Q31	6	6						
34	Washer for clip to clip bracket screw (spring)	LWZ203	Q32	6	6						



A2116

SERVICE PARTS LIST

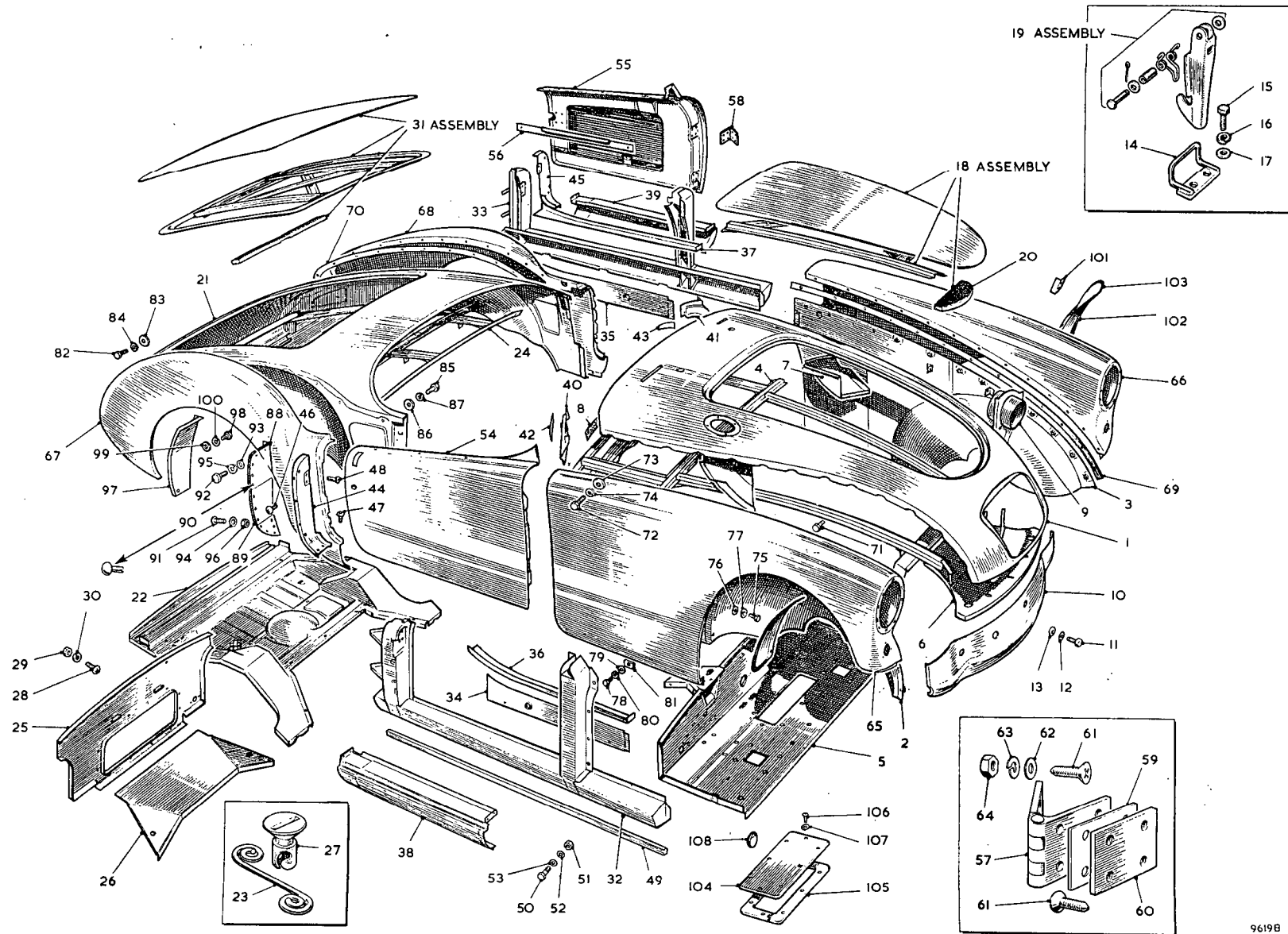
THE M.G. Series MGA 1500

Item No.	DESCRIPTION	Commencing (C) 10101		Qty. per Vehicle		Unit of Issue	Type of Vehicle	MODIFICATIONS			REMARKS
		Part Number	Illus. No.	RHD	LHD			New Part Number	Change Point	Amdt. No.	
	BODY MOUNTING										
1	Packing—front extension support bracket	AHH5173		2	2						
2	Packing—front door post	AHH5174		2	2						
3	Packing—shut pillar body mounting bracket	AHH5175		2	2						
4	Packing—rear body mounting bracket	AHH5176		2	2						
5	Packing—cross-bar cover-plate	AHH5177		1	1						
6	Packing—frame goal-post upright (outer)	AHH5178		2	2						
7	Rubber sealing strip for body/front frame side (22")	AHH5408		2	2						
8	Rubber sealing strip for body/rear frame side (37")	AHH5409		2	2						
9	Screw for body	HPZ0508		10	10						
10	Washer for screw (plain)	PWZ205		10	10						
11	Washer for screw (spring)	LWZ205		10	10	24					
12	Screw for body to goal-post cross-bar	HPZ0506		3	3						
13	Screw for body to goal-post cross-bar end	HPZ0508		2	2						
14	Washer for screw (plain)	PWZ205		5	5						
15	Washer for screw (spring)	LWZ205		5	5	24					
16	Screw for body to shut pillar front/rear brackets	HPZ0508		8	8						
17	Screw for body to shut pillar	HPZ0510		2	2						
18	Washer for screw (spring)	LWZ205		10	10	24					
19	Washer for screw (plain—large)	PWZ205		10	10						
20	Washer for screw (plain—small)	PWZ105		8	8						
21	Nut for body to front/rear frame brackets	FNZ105		8	8						
22	Screw for body to 4th cross-member	HPZ0506		2	2						
23	Washer for screw (plain)	PWZ206		2	2						
24	Washer for screw (spring)	LWZ205		2	2	24					
25	Felt—bonnet sealing	AHH5458		1	1						
26	Rubber—sealing body to cross-bar	AHH5528		2	2						

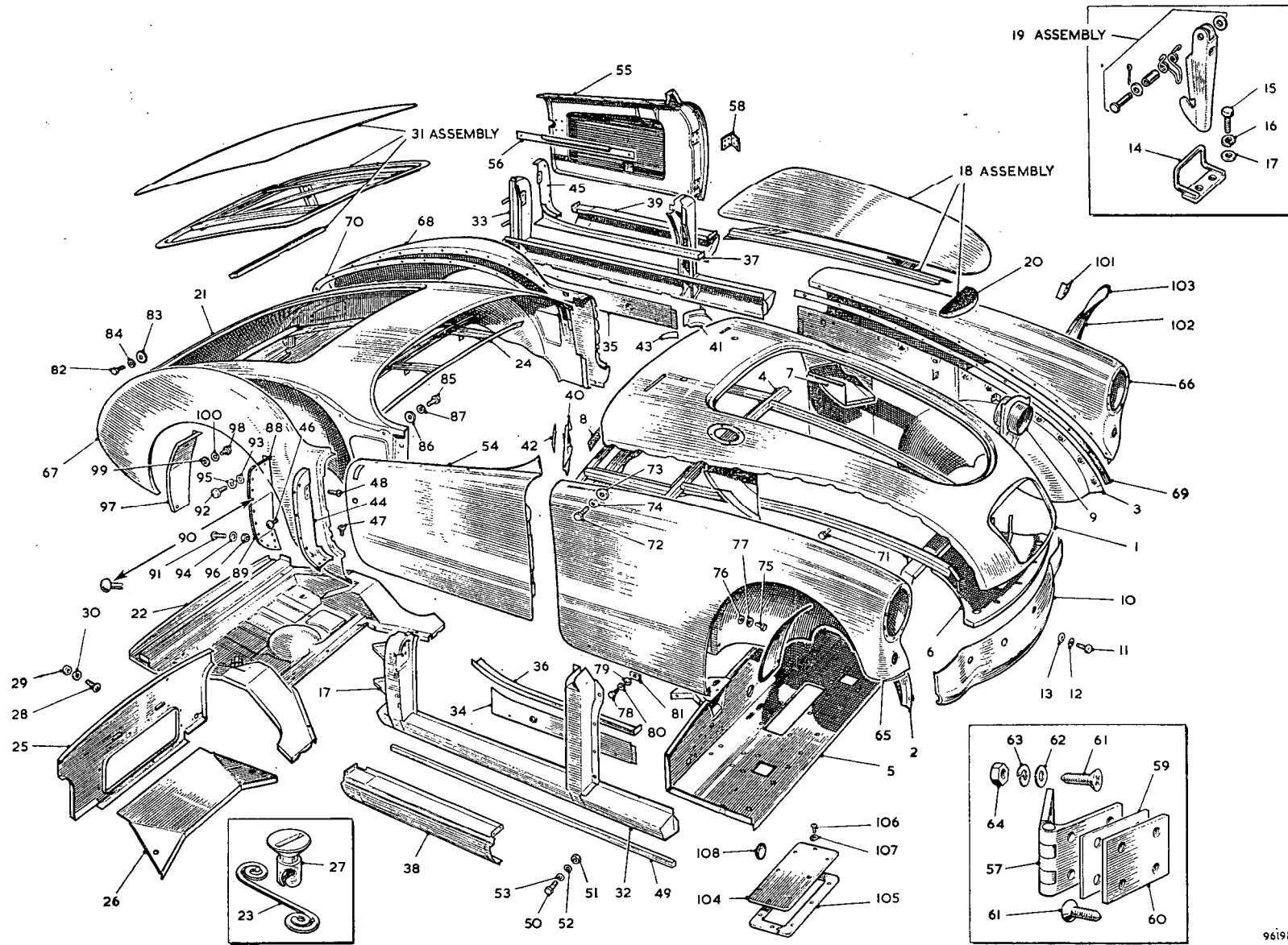
SERVICE PARTS LIST

THE M.G. Series MGA 1500

Item No.	DESCRIPTION	Commencing (C) 10101		Qty. per Vehicle		Unit of Issue	Type of Vehicle	MODIFICATIONS			REMARKS	
		Part Number	Illus. No.	RHD	LHD			New Part Number	Change Point	Amdt. No.		
BODY ASSEMBLY												
1	Body—painted and trimmed	AFH872		1			Tourer					
2	Body—painted and trimmed	AFH873			1							
3	Body—primed and trimmed	AFH2685		1			Coupé					
4	Body—primed and trimmed	AFH2686			1							
5	Body—painted and trimmed	AFH3800		1								
6	Body—painted and trimmed	AFH3801			1							
BODY SHELL												
7	Shell—body	AFH2700		1			Tourer					
8	Shell—body	AFH2701			1							
9	Front end assembly	AFH5484		1	1							
10	Panel—bonnet surround	AFH1520	R1	1	1							
11	Front side assembly—R/H	AFH4894	R2	1	1							
12	Front side assembly—L/H	AFH4895	R3	1	1							
13	Bonnet surround reinforcement	AFH1521	R4	1	1							
14	Panel assembly—front bulkhead	AFH1524	R5	1	1							
15	Panel—radiator duct	AFH900	R6	1	1							
16	Box assembly—R/H air duct	AFH1502		1	1							
17	Box assembly—L/H air duct	AFH1503	R7	1	1							
18	Strip—front bulkhead packing	AFH1794	R8	1	1							
19	Tube—air duct	AFH1527	R9	2	2							
20	Panel—front valance	AFH1896	R10	1	1							
21	Screw fixing panel	AFH2587	R11	14	14							
22	Washer for screw (spring)	LWZ203	R12	14	14							
23	Washer for screw (plain)	PWZ203	R13	14	14							
24	Bracket—bonnet lock safety catch	AFH1767	R14	1	1							
25	Screw fixing bracket	AFH2587	R15	2	2							
26	Washer for screw (spring)	LWZ203	R16	2	2							
27	Washer for screw (plain)	PWZ203	R17	2	2							
28	Panel assembly—bonnet lid	AFH4880	R18	1	1							
29	Safety catch assembly	14A366	R19	1	1							
30	Batten—bonnet lid stiffening	AFH2462	R20	1	1				AFH4879	Com. (C) 26681		
31	Tonneau assembly	AFH1754		1	1							
32	Tonneau sub-assembly	AFH1870		1	1							
33	Tonneau panel	AFH1871	R21	1	1							
34	Floor assembly—boot	AFH1874	R22	1	1							
35	Dzus spring	7H9828	R23	5	5							
36	Reinforcement assembly—tonneau	AFH1579	R24	1	1							
37	Panel assembly—rear bulkhead	AFH1585	R25	1	1							
38	Panel assembly—battery cover	AFH1663	R26	1	1							
39	Dzus fastener	7H9827	R27	5	5							
40	Screw fixing rear bulkhead panel	PMZ0808	R28	2	2							
41	Nut for screw	FNZ103	R29	2	2							
42	Washer for nut (spring)	LWZ203	R30	2	2							
43	Lid assembly—boot	AFH1577	R31	1	1							



9619B



9619B

SERVICE PARTS LIST

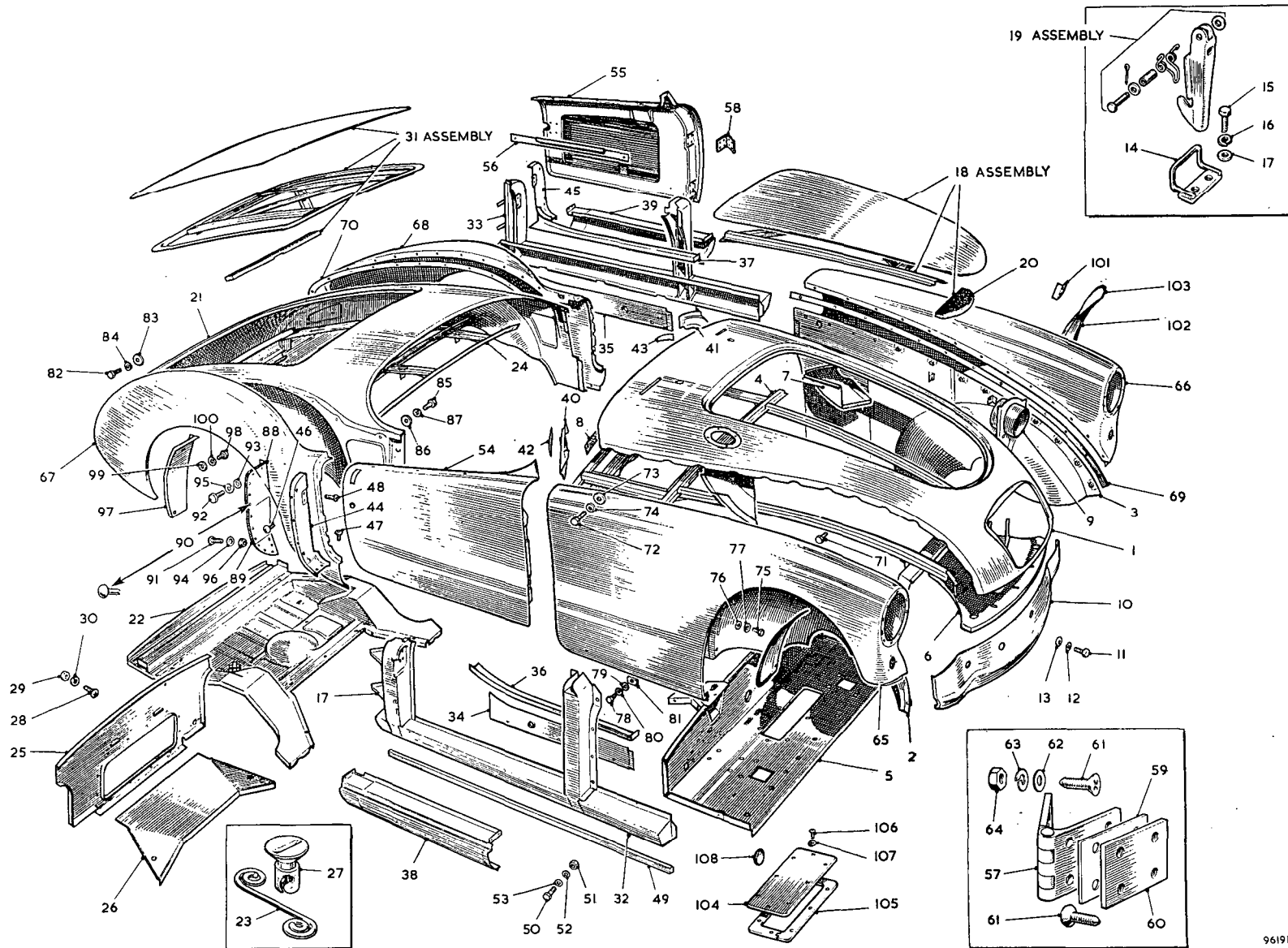
THE M.G. Series MGA 1500

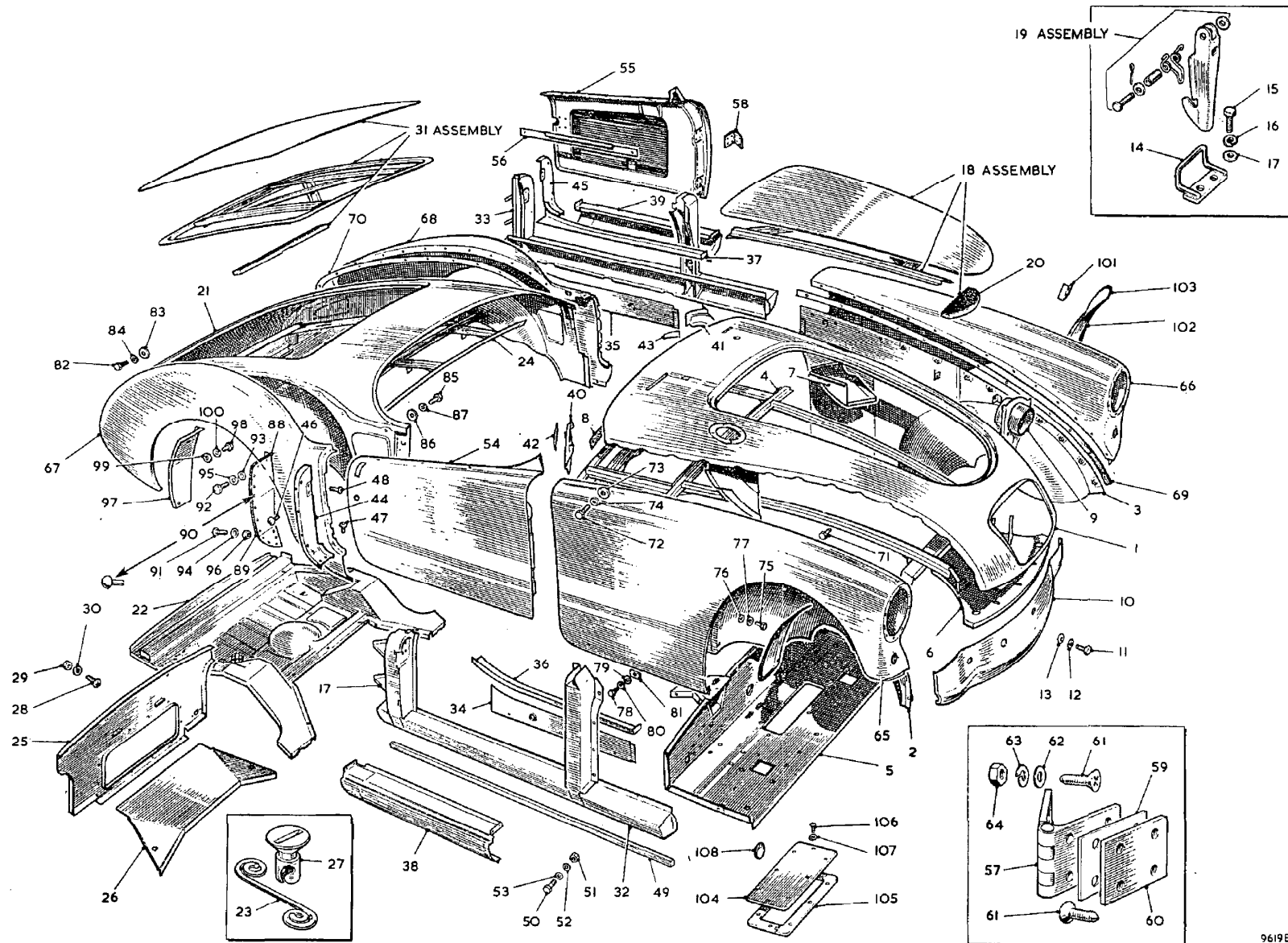
Item No.	DESCRIPTION	Commencing (C) 10101		Qty. per Vehicle		Unit of Issue	Type of Vehicle	MODIFICATIONS			REMARKS	
		Part Number	Illus. No.	RHD	LHD			New Part Number	Change Point	Amdt. No.		
	Body Shell—continued											
1	Sill reinforcement and pillar assembly—R/H	AFH1620	R32	1	1		Tourer					
2	Sill reinforcement and pillar assembly—L/H	AFH1621	R33	1	1							
3	Panel—sill inner R/H	AFH1656	R84	1	1							
4	Panel—sill inner L/H	AFH1657	R35	1	1							
5	Plate—sill sealing R/H	AFH1658	R36	1	1							
6	Plate—sill sealing L/H	AFH1659	R37	1	1							
7	Panel—sill outer R/H	AFH2624	R38	1	1							
8	Panel—sill outer L/H	AFH2625	R39	1	1							
9	Pillar top extension—R/H door hinge	AFH1624	R40	1	1							
10	Pillar top extension—L/H door hinge	AFH1625	R41	1	1							
11	Backing plate—R/H hinge pillar extension	AFH1626	R42	1	1							
12	Backing plate—L/H hinge pillar extension	AFH1627	R43	1	1							
13	Facing panel—R/H shut pillar	AFH898	R44	1	1							
14	Facing panel—L/H shut pillar	AFH899	R45	1	1							
15	Screw fixing facing panel—side	RPZ0310	R46	6	6							
16	Screw fixing facing panel—bottom	RTZ804	R47	4	4							
17	Screw fixing facing panel—top	CTZ804	R48	4	4							
18	Finisher—sill lower		R49	2	2				AFH3752	Com. (C) 19949		
19	Bolt fixing sill finisher (special)		R50	10	10				AFH3753			
20	Nut for bolt		R51	10	10				FNZ103			
21	Lock washer for nut		R52	10	10				LWZ403			
22	Washer for nut (plain)		R53	10	10				PWZ203			
23	Door assembly—R/H	AFH1666	R54	1	1							
24	Door assembly—L/H	AFH1667	R55	1	1							
25	Stiffener—door casing	AFH1899	R56	2	2							
26	Hinge—door R/H	AFH1494	R57	2	2					Fin. (C) 56068		
27	Hinge—door L/H	AFH2805	R58	2	2							
28	Hinge—door			4	4							
29	Packing—door hinge		R59	4	4					Com. (C) 56069		
30	Plate—tapping	AFH1464	R60	4	4				AFH5832			
31	Screw fixing hinge	CPZ0412	R61	32	32				AFH5827			
32	Washer for screw (plain)	PWZ204	R62	16	16							
33	Washer for screw (spring)	LWZ204	R63	16	16							
34	Nut for screw	FNZ104	R64	16	16							
35	Wing assembly—R/H front	AFH1690	R65	1	1							
36	Wing assembly—L/H front	AFH1691	R66	1	1							
37	Wing panel—R/H rear	AFH1768	R67	1	1							
38	Wing panel—L/H rear	AFH1769	R68	1	1							
39	Piping—front wing	AFH1692	R69	2	2							
40	Piping—rear wing	AFH1693	R70	2	2							

SERVICE PARTS LIST

THE M.G. Series MGA 1500

Item No.	DESCRIPTION	Commencing (C) 10101		Qty. per Vehicle		Unit of Issue	Type of Vehicle	MODIFICATIONS			REMARKS
		Part Number	Illus. No.	RHD	LHD			New Part Number	Change Point	Amdt. No.	
	Body Shell—continued										
1	Washer plate for front wing fixings	AFH2627		22	22						
2	Screw fixing front wing to body	HPZ0508	R71	21	21						
3	Screw fixing front wing to body	HPZ0510	R72	5	5						
4	Screw fixing wing closing plate to body	HPZ0408		2	2						
5	Washer for screw (plain)	PWZ205	R73	2	2						
6	Washer for screw (spring)	LWZ205	R74	26	26	24					
7	Washer for screw (plain)	PWZ105		2	2						
8	Screw fixing wing closing plate to body	HPZ0406	R75	8	8						
9	Washer for screw (plain)	PWZ204	R76	8	8						
10	Washer for screw (spring)	LWZ204	R77	8	8						
11	Packing—front wing	AFH3840		2	2						
12	Washer plate for rear wing fixing	AFH2627		20	20						
13	Screw fixing front wing to sill	AFH2587	R78	6	6						
14	Washer for screw (plain)	PWZ203	R79	6	6						
15	Washer for screw (spring)	LWZ203	R80	6	6						
16	Washer plate for front wing—lower	AFH2546	R81	6	6						
17	Screw fixing rear wing to body	HPZ0508	R82	22	22						
18	Washer for screw (plain)	PWZ205	R83	2	2						
19	Washer for screw (spring)	LWZ205	R84	22	22	24					
20	Screw fixing rear wing to sill	AFH2587	R85	4	4						
21	Washer for screw (plain)	PWZ203	R86	4	4		Tourer				
22	Washer for screw (spring)	LWZ203	R87	4	4						
23	Washer plate for rear wing—lower	AFH2546		4	4						
24	Splash plate—rear wing R/H front		R88	1	1			AFH4782			
25	Splash plate—rear wing L/H front			1	1			AFH4783			
26	Seal—splash plate—R/H (rubber)		R89	1	1			AFH4784			
27	Seal—splash plate—L/H (rubber)			1	1			AFH4785			
28	Rivet—seal to plate		R90	22	22			BRP906			
29	Screw fixing lower plate		R91	4	4			PTZ604	Com. (C) 29985		
30	Screw fixing plate to body		R92	4	4			HZS0405			
31	Washer for screw (plain)		R93	4	4			PWZ204			
32	Washer for screw (plain)		R94	4	4			PWZ104			
33	Washer for screw (spring)		R95	4	4			LWZ204			
34	Nut for screw		R96	4	4			FNZ104			
35	Splash plate assembly—R/H rear wing	AFH1704	R97	1	1						
36	Splash plate assembly—L/H rear wing	AFH1705		1	1						
37	Screw fixing rear splash plate	HZS0405	R98	8	8						
38	Washer for screw (plain)	PWZ204	R99	8	8						
39	Washer for screw (spring)	LWZ204	R100	8	8						
40	Bracket assembly—front wing splash plate	AFH1700	R101	2	2						
41	Seal—R/H front splash plate (rubber)	AFH1710		1	1						
42	Seal—L/H front splash plate (rubber)	AFH1711	R102	1	1						





9619B

SERVICE PARTS LIST

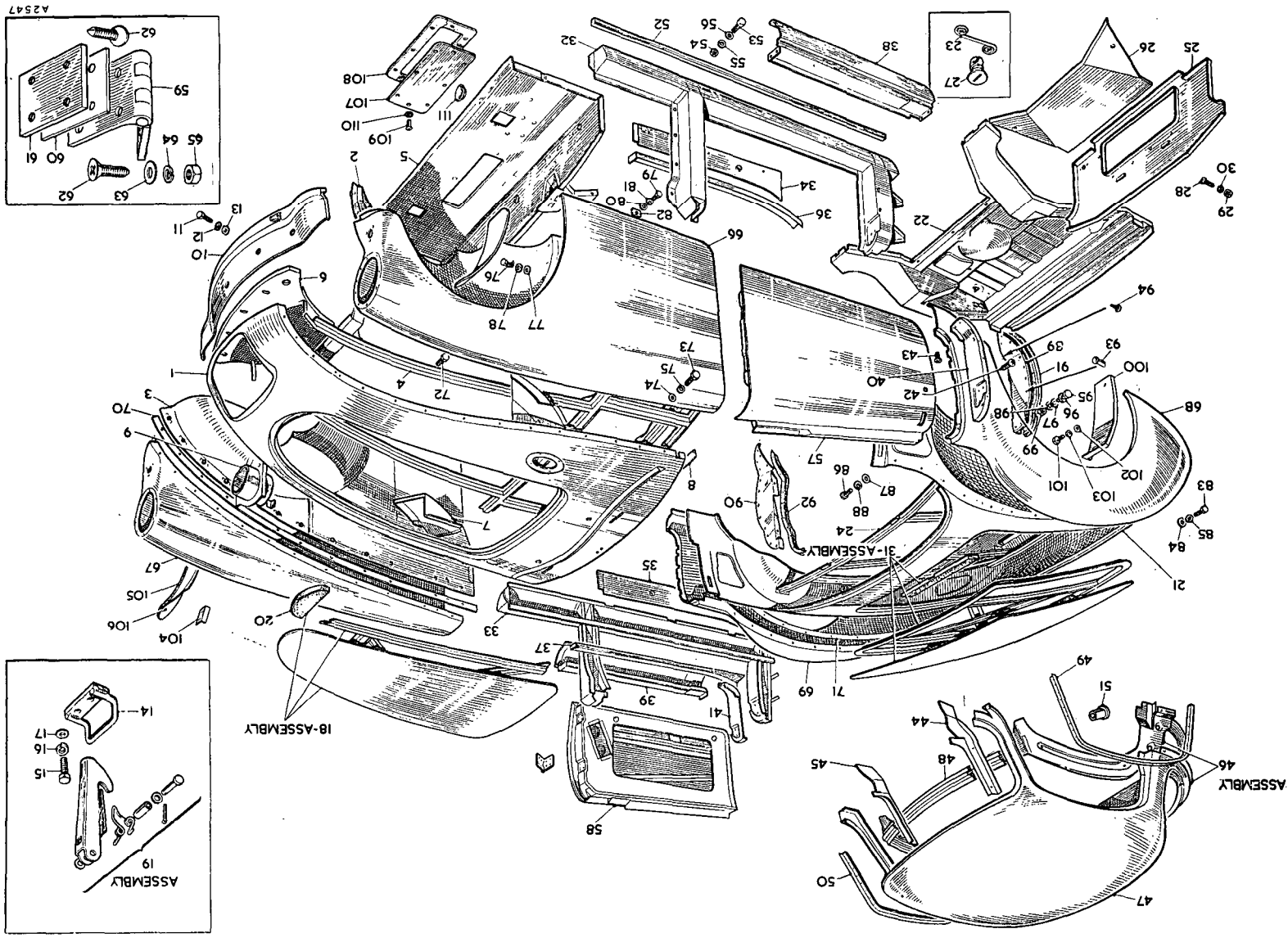
THE M.G. Series MGA 1500

Item No.	DESCRIPTION	Commencing (C) 10101		Qty. per Vehicle		Unit of Issue	Type of Vehicle	MODIFICATIONS			REMARKS
		Part Number	Illus. No.	RHD	LHD			New Part Number	Change Point	Amdt. No.	
	Body Shell—continued										
1	Splash plate—R/H front wing	AFH1702		1	1		Tourer				
2	Splash plate—L/H front wing	AFH1703	R103	1	1						
3	Screw fixing front splash plate	HZS0405		4	4						
4	Washer for screw (plain)	PWZ204		4	4						
5	Washer for screw (spring)	LWZ204		4	4						
6	Washer plate—splasher to front wing	AFH2546		2	2						
7	Screw fixing splasher to front wing	AFH2587		2	2						
8	Nut for screw	FNZ103		2	2						
9	Washer for nut (spring)	LWZ203		2	2						
10	Cover-plate—heater aperture	AHH5252	R104	1	1						
11	Gasket—heater sealing	AHH5253	R105	2	2						
12	Screw fixing cover-plate	PPZ0310	R106	8	8						
13	Washer for screw (spring)	LWZ203	R107	8	8						
14	Grommet—blanking valve control	4G2541	R108	1	1						
15	Screw fixing front wing splash to body	HPZ0405		12	12						
16	Washer for screw (spring)	LWZ204		12	12						
17	Washer for screw (plain)	PWZ204		12	12						

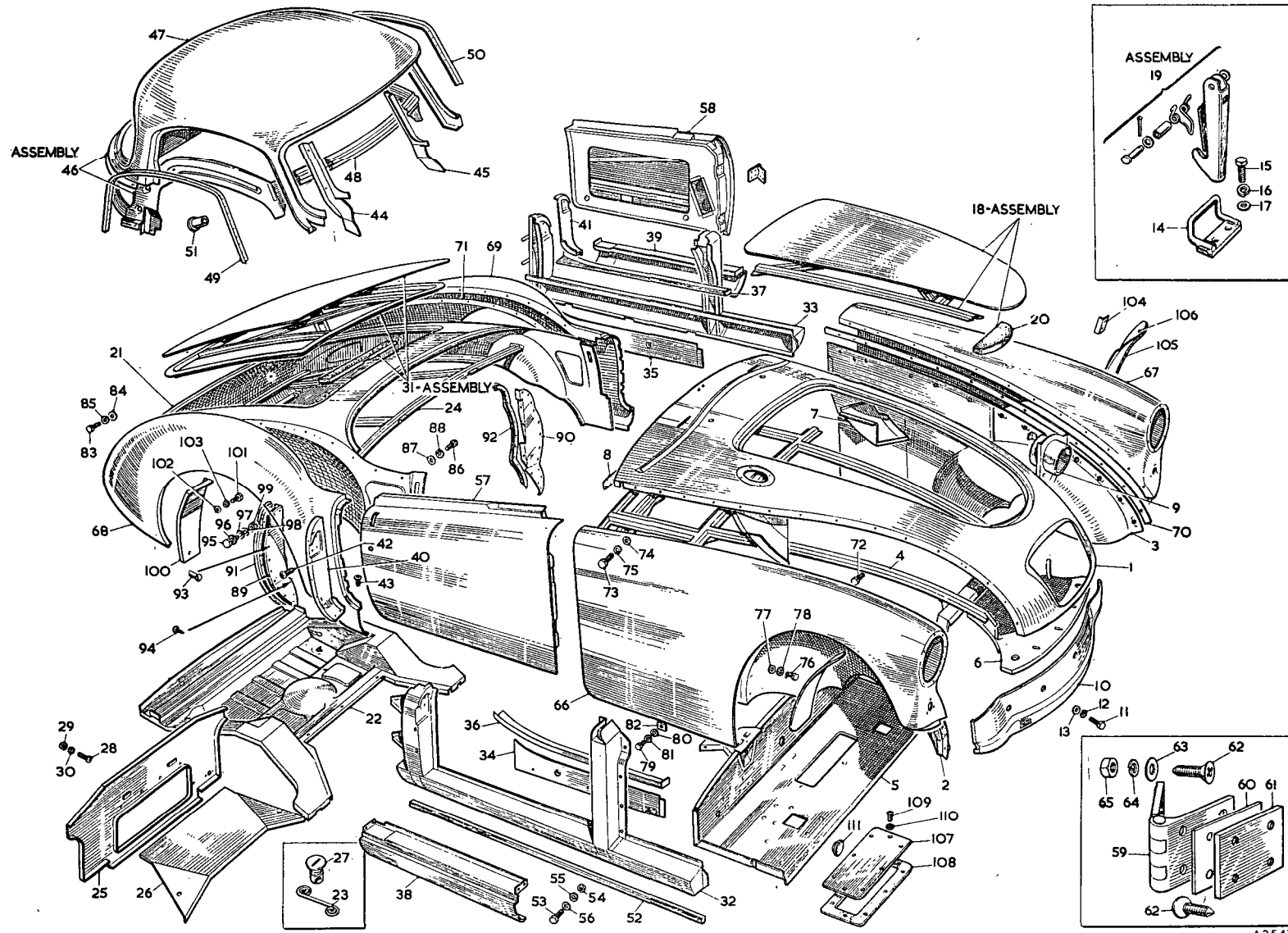
SERVICE PARTS LIST

THE M.G. Series MGA 1500

Item No.	DESCRIPTION	Commencing (C) 20671		Qty. per Vehicle		Unit of Issue	Type of Vehicle	MODIFICATIONS			REMARKS
		Part Number	Illus. No.	RHD	LHD			New Part Number	Change Point	Amdt. No.	
	Body Shell—continued										
1	Shell—body—primed	AFH5828		1							
2	Shell—body—primed	AFH5829			1						
3	Front end assembly	AFH5485		1	1						
4	Panel assembly—bonnet surround	AFH3866	RA1	1	1						
5	Panel—bonnet surround	N.S.P.		1	1						
6	Front side assembly—R/H	AFH4896	RA2	1	1						
7	Front side assembly—L/H	AFH4897	RA3	1	1						
8	Bonnet surround reinforcement	AFH3867	RA4	1	1						
9	Panel assembly—front bulkhead	AFH1524	RA5	1	1						
10	Panel—radiator duct	AFH900	RA6	1	1						
11	Box assembly—R/H air duct	AFH1502		1	1						
12	Box assembly—L/H air duct	AFH1503	RA7	1	1						
13	Strip—front bulkhead packing	AFH1794	RA8	1	1						
14	Tube—air duct	AFH1527	RA9	2	2						
15	Panel—front valance	AFH1896	RA10	1	1						
16	Screw fixing panel	AFH2587	RA11	14	14						
17	Washer for screw (spring)	LWZ203	RA12	14	14						
18	Washer for screw (plain)	PWZ203	RA13	8	8						
19	Washer—plate	AFH2546		6	6						
20	Bracket—bonnet lock safety catch	AFH1767	RA14	1	1		Coupe				
21	Screw fixing bracket	AFH2587	RA15	2	2						
22	Washer for screw (spring)	LWZ203	RA16	2	2						
23	Washer for screw (plain)	PWZ203	RA17	2	2						
24	Panel assembly—bonnet lid	AFH4880	RA18	1	1						
25	Safety catch assembly	14A366	RA19	1	1						
26	Batten—bonnet lid stiffening	AFH2462	RA20	1	1			AFH4879	Com. (C) 26681		
27	Tonneau assembly	AFH3878		1	1						
28	Tonneau sub-assembly	AFH3879		1	1						
29	Tonneau panel	AFH3881	RA21	1	1						
30	Floor assembly—boot	AFH1874	RA22	1	1						
31	Dzus spring	7H9828	RA23	5	5						
32	Reinforcement assembly—tonneau	AFH3880	RA24	1	1						
33	Panel assembly—rear bulkhead	AFH3820	RA25	1	1						
34	Panel assembly—battery cover	AFH1663	RA26	1	1						
35	Dzus fastener	7H9827	RA27	5	5						
36	Screw fixing rear bulkhead panel	PMZ0308	RA28	2	2						
37	Nut for screw	FNZ103	RA29	2	2						
38	Washer for nut (spring)	LWZ203	RA30	2	2						
39	Lid assembly—boot	AFH1577	RA31	1	1						



A2547



A2547

SERVICE PARTS LIST

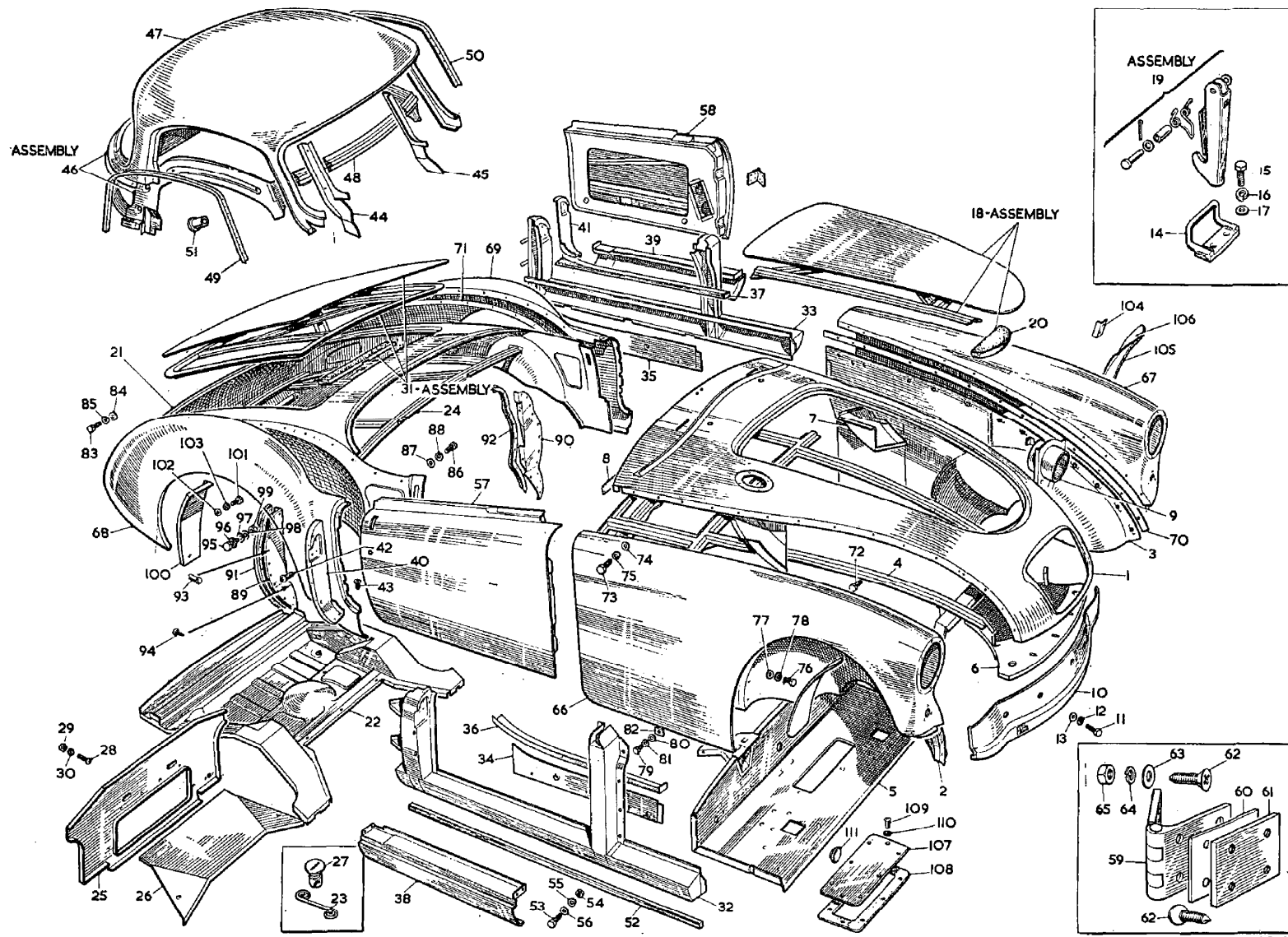
THE M.G. Series MGA 1500

Item No.	DESCRIPTION	Commencing (C) 20671		Qty. per Vehicle		Unit of Issue	Type of Vehicle	MODIFICATIONS			REMARKS
		Part Number	Illus. No.	RHD	LHD			New Part Number	Change Point	Amdt. No.	
	Body Shell—continued										
1	Sill reinforcement and pillar assembly—R/H	AFH3882	RA32	1	1						
2	Sill reinforcement and pillar assembly—L/H	AFH3883	RA33	1	1						
3	Shut pillar assembly—R/H	AFH3780		1	1						
4	Shut pillar assembly—L/H	AFH3781		1	1						
5	Panel—sill inner—R/H	AFH1656	RA84	1	1						
6	Panel—sill inner—L/H	AFH1657	RA35	1	1						
7	Plate—sill sealing—R/H	AFH1658	RA36	1	1						
8	Plate—sill sealing—L/H	AFH1659	RA37	1	1						
9	Panel—sill outer—R/H	AFH2624	RA38	1	1						
10	Panel—sill outer—L/H	AFH2625	RA39	1	1						
11	Panel—facing—shut pillar—R/H	AFH3786	RA40	1	1						
12	Panel—facing—shut pillar—L/H	AFH3787	RA41	1	1						
13	Screw fixing facing panel—side	RPZ0310	RA42	4	4						
14	Screw fixing facing panel—bottom	RTZ804	RA43	4	4						
15	Pillar reinforcement—windscreen—R/H	AFH4466	RA44	1	1						
16	Pillar reinforcement—windscreen—L/H	AFH4467	RA45	1	1						
17	Roof assembly	AFH4748	RA46	1	1						
18	Panel assembly—roof	AFH4464	RA47	1	1						
19	Panel—reinforcement assembly	AFH4465	RA48	1	1						
20	Dripway—door opening—R/H	AFH4482	RA49	1	1		Coupé				
21	Dripway—door opening—L/H	AFH4483	RA50	1	1						
22	Rivet—dripway to roof panel	AFH5453	RA51	52	52						
23	Finisher—sill lower	AFH3752	RA52	2	2						
24	Bolt fixing sill finisher (special)	AFH3753	RA53	10	10						
25	Nut for bolt	FNZ103	RA54	10	10						
26	Lock washer for nut	LWZ403	RA55	10	10						
27	Washer for nut (plain)	PWZ203	RA56	10	10						
28	Door assembly—R/H	AFH4806	RA57	1							
29	Door assembly—L/H	AFH4807	RA58	1							
30	Door assembly—R/H	AFH3884			1						
31	Door assembly—L/H	AFH3885			1						
32	Hinge—door—R/H	AFH1494	RA59	2	2					Fin. (C) 52915	
33	Hinge—door—L/H	AFH2805		2	2					Com. (C) 52916	
34	Hinge—door			4	4			AFH5832			
35	Packing—door hinge		RA60	4	4			AFH5827			
36	Plate—tapping—door hinge	AFH1464	RA61	4	4						
37	Screw fixing hinge	CPZ0412	RA62	32	32						
38	Washer for screw (plain)	PWZ204	RA63	16	16						
39	Washer for screw (spring)	LWZ204	RA64	16	16						
40	Nut for screw	FNZ104	RA65	16	16						

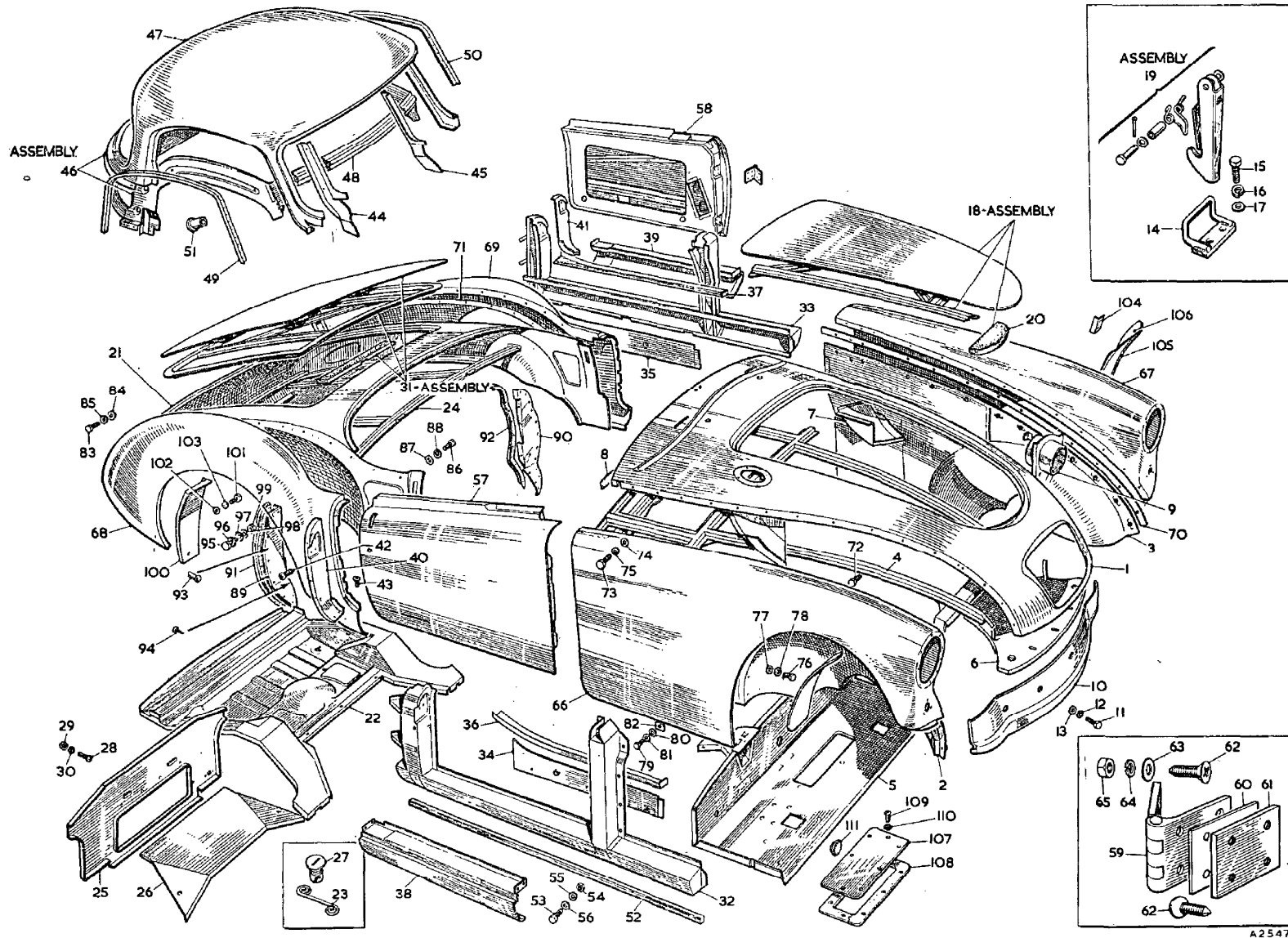
SERVICE PARTS LIST

THE M.G. Series MGA 1500

Item No.	DESCRIPTION	Commencing (C) 20671		Qty. per Vehicle		Unit of Issue	Type of Vehicle	MODIFICATIONS			REMARKS
		Part Number	Illus. No.	RHD	LHD			New Part Number	Change Point	Amdt. No.	
	Body Shell—continued										
1	Wing assembly—R/H front	AFH4478	RA66	1	1						
2	Wing assembly—L/H front	AFH4479	RA67	1	1						
3	Wing assembly—R/H rear	AFH4480	RA68	1	1						
4	Wing assembly—L/H rear	AFH4481	RA69	1	1						
5	Piping—front wing	AFH1692	RA70	2	2						
6	Piping—rear wing	AFH1693	RA71	2	2						
7	Washer—plate—for front wing fixings	AFH2627		22	22						
8	Screw fixing front wing to body	HPZ0508	RA72	21	21						
9	Screw fixing front wing to body	HPZ0510	RA73	5	5						
10	Screw fixing wing closing plate to body	HPZ0408		2	2						
11	Washer for screw (plain)	PWZ205	RA74	2	2						
12	Washer for screw (spring)	LWZ205	RA75	26	26	24					
13	Washer for screw (plain)	PWZ105		2	2						
14	Screw fixing wing closing plate to body	HPZ0406	RA76	8	8						
15	Washer for screw (plain)	PWZ204	RA77	8	8						
16	Washer for screw (spring)	LWZ204	RA78	8	8						
17	Packing—front wing	AFH3840		2	2						
18	Washer—plate—for rear wing fixing	AFH2627		20	20						
19	Screw fixing front wing to sill	AFH2587	RA79	6	6						
20	Washer for screw (plain)	PWZ203	RA80	6	6		Coupe				
21	Washer for screw (spring)	LWZ203	RA81	6	6						
22	Washer—plate—for front wing lower	AFH2546	RA82	6	6						
23	Screw fixing rear wing to body	HPZ0508	RA83	22	22						
24	Washer for screw (plain)	PWZ205	RA84	2	2						
25	Washer for screw (spring)	LWZ205	RA85	22	22	24					
26	Screw fixing rear wing to sill	AFH2587	RA86	4	4						
27	Washer for screw (plain)	PWZ203	RA87	4	4						
28	Washer for screw (spring)	LWZ203	RA88	4	4						
29	Washer—plate—for rear wing lower	AFH2546		4	4						
30	Splash plate—rear wing—front R/H	AFH4782	RA89	1	1						
31	Splash plate—rear wing—front L/H	AFH4783	RA90	1	1						
32	Seal—rubber—splash plate—R/H	AFH4784	RA91	1	1						
33	Seal—rubber—splash plate—L/H	AFH4785	RA92	1	1						
34	Rivet—seal to plate	BRP906	RA93	22	22						
35	Screw fixing lower plate	PTZ604	RA94	4	4						
36	Screw fixing plate to body	HZS0405	RA95	4	4						
37	Washer (plain)	PWZ204	RA96	4	4						
38	Washer (plain)	PWZ104	RA97	4	4						
39	Washer (spring)	LWZ204	RA98	4	4						
40	Nut for screw—plate to body	FNZ104	RA99	4	4						



A2547



A2547

SERVICE PARTS LIST

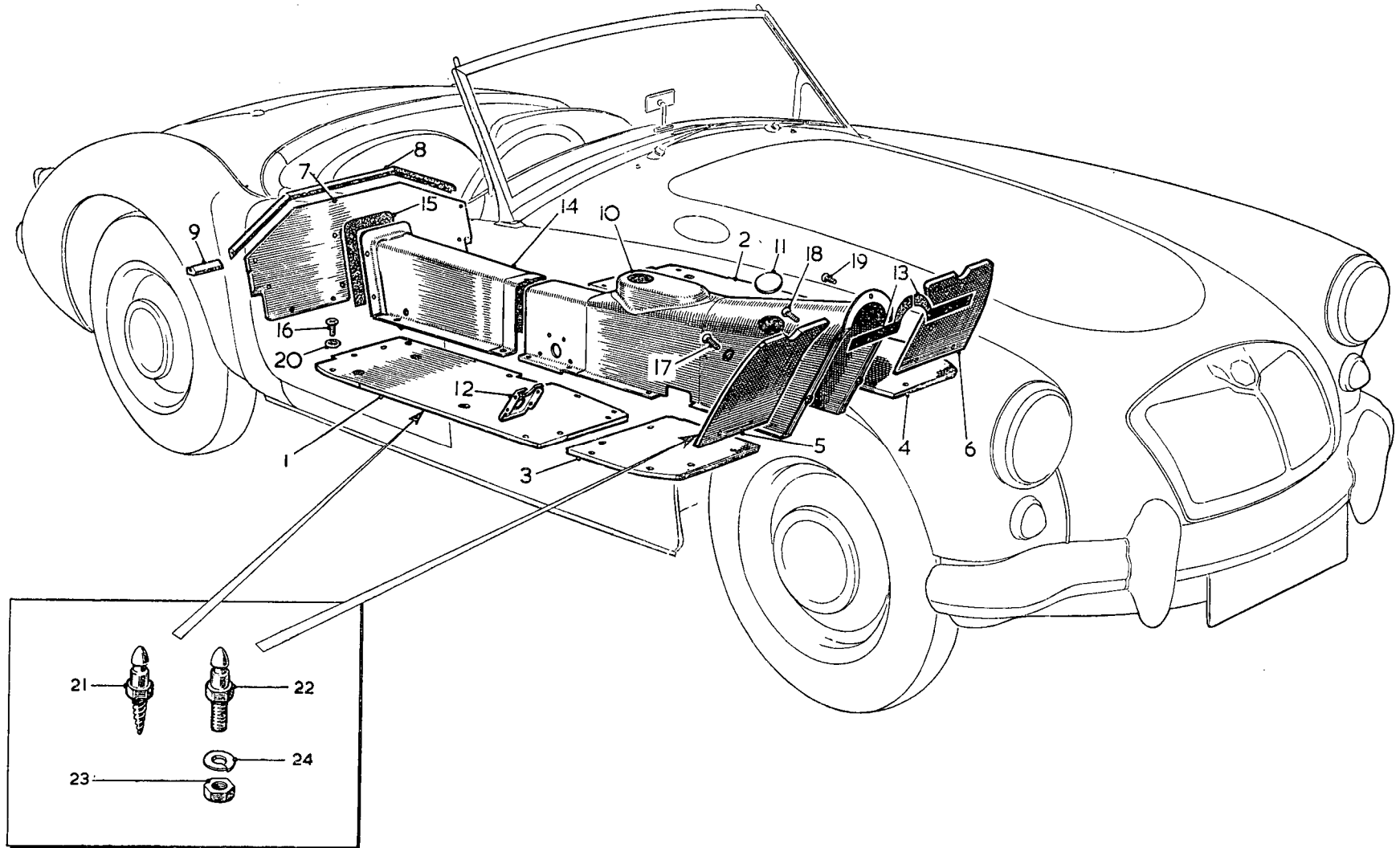
THE M.G. Series MGA 1500

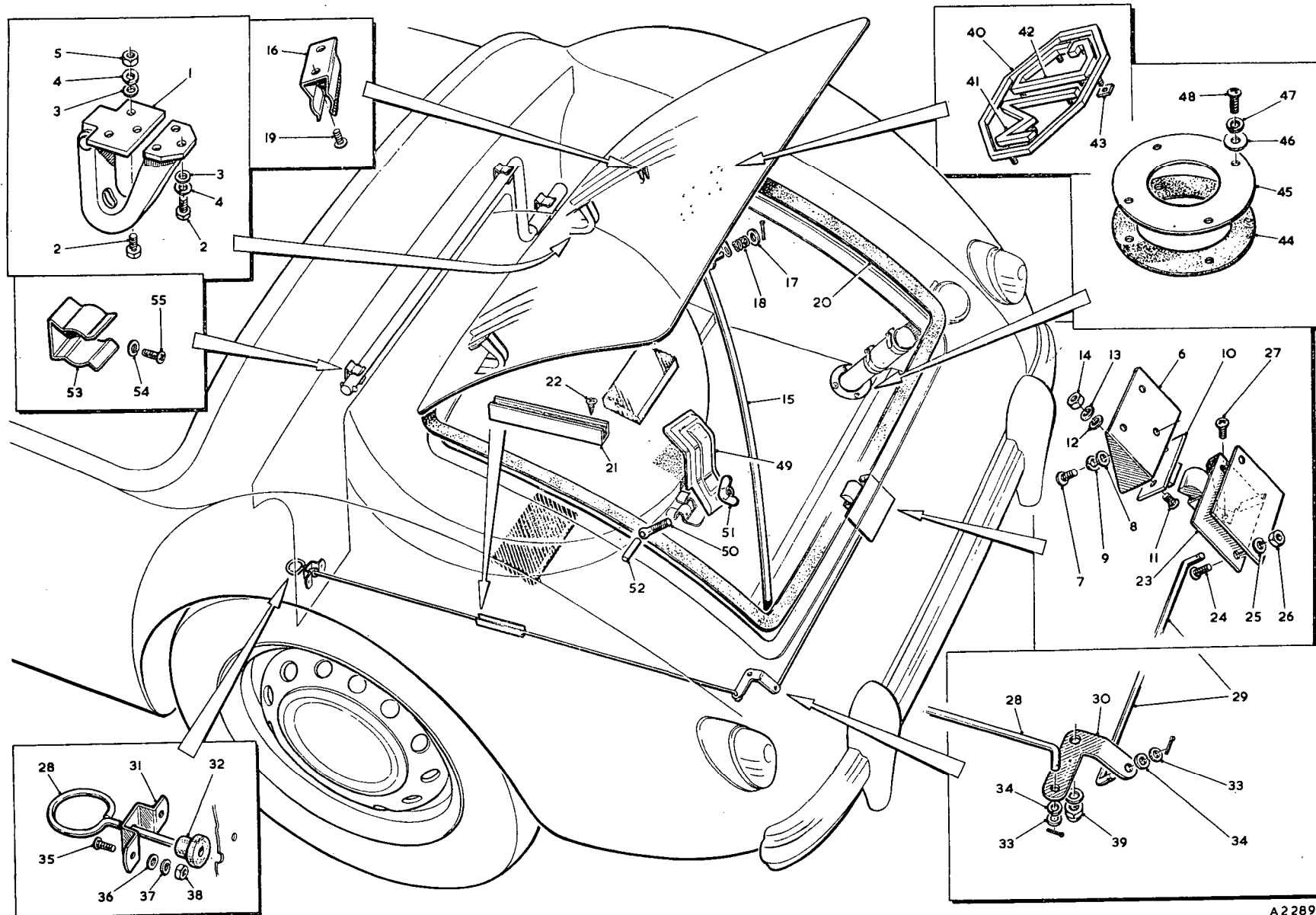
Item No.	DESCRIPTION	Commencing (C) 20671		Qty. per Vehicle		Unit of Issue	Type of Vehicle	MODIFICATIONS			REMARKS	
		Part Number	Illus. No.	RHD	LHD			New Part Number	Change Point	Amdt. No.		
	Body Shell—continued											
1	Splash plate assembly—R/H rear wing	AFH1704	RA100	.1	.1] Coupé					
2	Splash plate assembly—L/H rear wing	AFH1705		.1	.1							
3	Screw fixing rear splash plate	HZS0405	RA101	.8	.8							
4	Washer for screw (plain)	PWZ204	RA102	.8	.8							
5	Washer for screw (spring)	LWZ204	RA103	.8	.8							
6	Bracket assembly—front wing splash plate	AFH1700	RA104	.2	.2							
7	Seal—R/H front splash plate (rubber)	AFH1710		.1	.1							
8	Seal—L/H front splash plate (rubber)	AFH1711	RA105	.1	.1							
9	Splash plate—R/H front wing	AFH1702		.1	.1							
10	Splash plate—L/H front wing	AFH1703	RA106	.1	.1							
11	Screw fixing front splash plate	HZS0405		.4	.4							
12	Washer for screw (plain)	PWZ204		.4	.4							
13	Washer for screw (spring)	LWZ204		.4	.4							
14	Cover-plate—heater aperture	AHH5252	RA107	.1	.1							
15	Gasket—heater sealing	AHH5253	RA108	.2	.2							
16	Screw fixing cover-plate	PPZ0310	RA109	.8	.8							
17	Washer for screw (spring)	LWZ203	RA110	.8	.8							
18	Grommet—blanking valve control	4G2541	RA111	.1	.1							

SERVICE PARTS LIST

THE M.G. Series MGA 1500

Item No.	DESCRIPTION	Commencing (C) 10101		Qty. per Vehicle		Unit of Issue	Type of Vehicle	MODIFICATIONS			REMARKS
		Part Number	Illus. No.	RHD	LHD			New Part Number	Change Point	Amdt. No.	
	FLOORING—RAMPS—PROPELLER SHAFT TUNNEL—GEARBOX COVER										
1	Floorboard—rear—R/H	AHH5205	RB1	1	1						
2	Floorboard—rear—L/H	AHH5206	RB2	1	1						
3	Floorboard—front—R/H	AHH5208	RB3	1	1						
4	Floorboard—front—L/H	AHH5209	RB4	1	1						
5	Toeboard—R/H	AHH5262	RB5	1	1			AHH5817	Com. (C) 61504		
6	Toeboard—L/H	AHH5263	RB6	1	1						
7	Rear ramp	AHH5207	RB7	1	1						
8	Sealing rubber—centre—rear ramp	AHH5455	RB8	1	1						
9	Sealing rubber—outer—rear ramp	AHH5456	RB9	2	2						
10	Packing for rear floor (boot)	AHH5180		3	3						
11	Gearbox cover assembly	AHH5325	RB10	1	1			AHH5815	Com. (C) 61504		
12	Seal (rubber) for gearbox cover	AHH5194		2	2						
13	Grommet for dipstick hole in gearbox cover	ACA5300	RB11	1	1						
14	Cross-brace plate for gearbox cover	AHH5226	RB12	2	2						
15	Seal (felt) for toeboard—top	AHH5377	RB13	2	2						
16	Seal (felt) for toeboard support	AHH5378		2	2						
17	Seal (felt) for toeboard support plate	AHH5379		2	2						
18	Propeller shaft tunnel	AHH5199	RB14	1	1						
19	Seal (felt) for propeller shaft tunnel—rear	AHH5200	RB15	1	1						
20	Seal (felt) for gearbox cover to tunnel	AHH5340		1	1						
21	Screw fixing floorboards—front	CPZ0416		15	15						
22	Screw fixing floorboards—rear	CPZ0416	RB16	25	25						
23	Screw fixing toeboard—R/H	CPZ0416	RB17	5	5						
24	Screw fixing toeboard and speedometer cable clip—R/H	CPZ0420	RB18	3	3						
25	Screw fixing toeboard—L/H	CPZ0416		4	4						
26	Screw fixing rear ramp and clip	CPZ0416		12	12						
27	Screw fixing gearbox cover to toeboard plate and front L/H floorboard	CPZ0412	RB19	2	2						
28	Countersunk cup washer for screw	64401	RB20	66	66						
29	Screw in floorboard for carpet fixing	94605	RB21	12	12						
30	Screw in toeboard for carpet fixing	183590	RB22	4	4						
31	Nut for toeboard screw	AJD8012Z	RB23	4	4						
32	Washer (spring)	LWZ203	RB24	4	4						
33	Screw blanking accelerator adjusting stop holes in L/H floorboard	CPZ0408		2							
34	Washer for screw (cup)	ACA5374		2							
35	Clip—rear ramp screw—R/H (negative battery cable)	PCR0709		1	1						
36	Washer (shakeproof)	AJD7605		1	1						
37	Locknut for clip screw	FNZ204		1	1						
38	Cover—starter motor (rubber)			1	1			AHH5838	Com. (C) 61504		
39	Floorboard—R/H	AHH5748		1	1						
40	Floorboard—L/H	AHH5749		1	1						
41	Screw fixing floorboard	CMZ0420		16	16						For use with competition-type bucket seats





A2289

SERVICE PARTS LIST

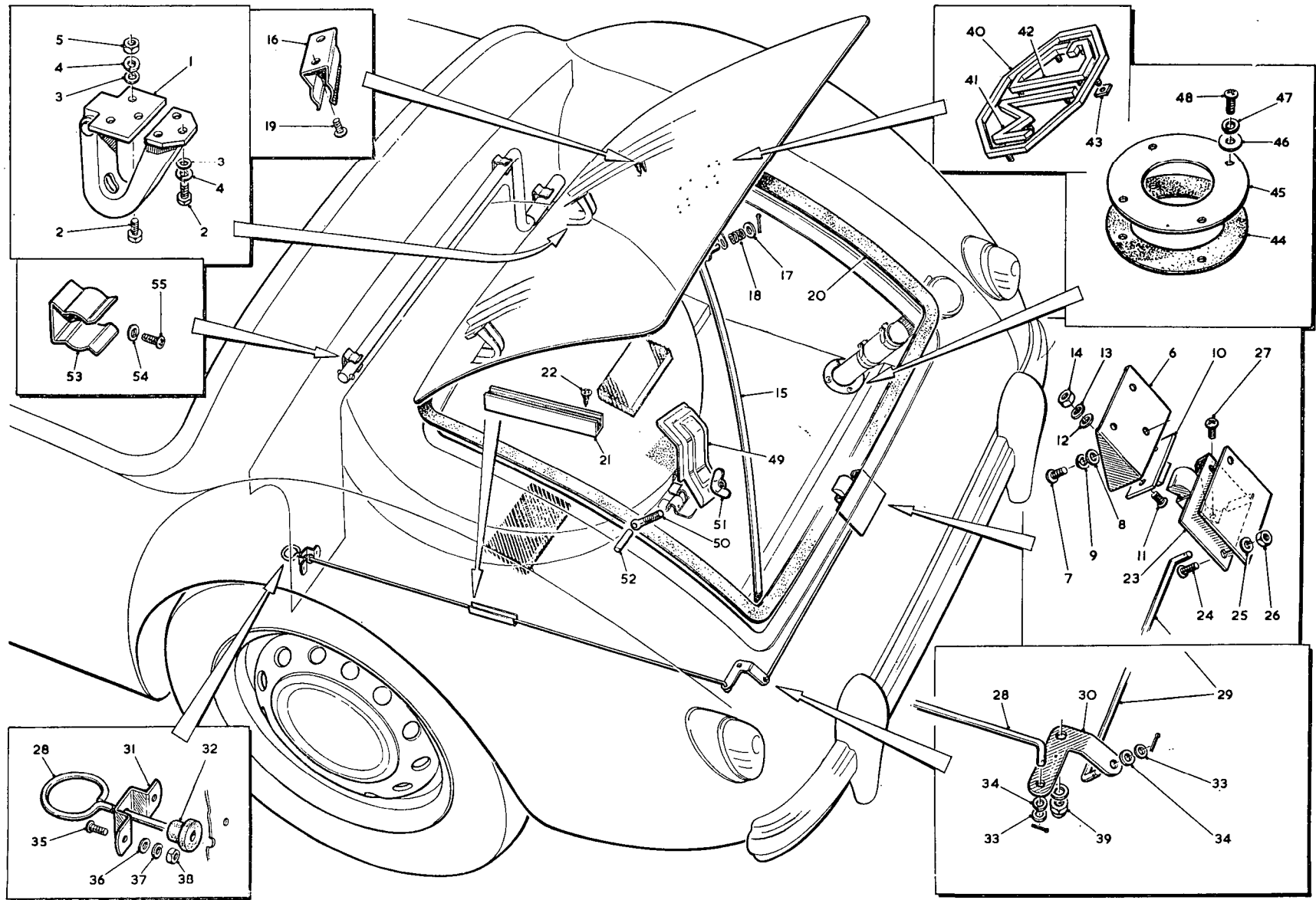
THE M.G. Series MGA 1500

Item No.	DESCRIPTION	Commencing (C) 10101		Qty. per Vehicle		Unit of Issue	Type of Vehicle	MODIFICATIONS			REMARKS
		Part Number	Illus. No.	RHD	LHD			New Part Number	Change Point	Amdt. No.	
	BOOT LID AND BOOT FLOOR FITTINGS										
1	Hinge—R/H—boot lid	AFH1515	RC1	1	1						
2	Hinge—L/H—boot lid	AFH1514		1	1						
3	Screw fixing boot lid hinges	AFH2587	RC2	12	12						
4	Washer (plain)	PWZ203	RC3	12	12						
5	Washer (spring)	LWZ203	RC4	12	12						
6	Nut for boot lid hinge screw	FNZ103	RC5	2	2						
7	Bracket for boot lid striking plate	AFH1578	RC6	1	1						
8	Screw for striker plate bracket	AFH2587	RC7	3	3						
9	Washer (plain)	PWZ203	RC8	3	3						
10	Washer (spring)	LWZ203	RC9	3	3						
11	Plate for boot lid striking	AFH1516	RC10	1	1						
12	Screw for striking plate	CMZ0310	RC11	2	2						
13	Washer (plain)	PWZ203	RC12	2	2						
14	Washer (spring)	LWZ203	RC13	2	2						
15	Nut for striking plate screw	FNZ103	RC14	2	2						
16	Rod—boot lid support	AFH1756	RC15	1	1						
17	Clip for support rod	128978	RC16	1	1						
18	Washer for support rod (plain)	PWZ105	RC17	1	1						
19	Spring for support rod	139282	RC18	1	1						
20	Screw for clip to lid	PTZ603	RC19	2	2						
21	Sealing rubber for boot lid	AFH1753	RC20	1	1						
22	Retaining channel for release rod	AFH1789	RC21	1	1						
23	Screw for retaining channel	CTZ403	RC22	2	2						
24	Lock assembly—boot lid	AFH1519	RC23	1	1						
25	Screw fixing lock to body	PMZ0308	RC24	2	2						
26	Washer (spring)	LWZ203	RC25	2	2						
27	Nut for lock to body screw	FNZ103	RC26	2	2						
28	Packing for lock support bracket	AFH2622		1	1						
29	Screw fixing lock to body	PTZ603	RC27	1	1						
30	Rod for boot lock front release	AFH1758	RC28	1	1						
31	Rod for boot lock rear release	AFH1759	RC29	1	1						
32	Lever for boot lock actuating	AFH1747	RC30	1	1						
33	Plate for release rod guide	133222	RC31	1	1						
34	Grommet for release rod	133221	RC32	1	1						
35	Washer for release rods (plain)	PWZ203	RC33	3	3						
36	Washer for release rods (spring)	128900	RC34	3	3						
37	Screw fixing guide plate to bulkhead	PMZ0208	RC35	2	2						
38	Washer (plain)	PWZ202	RC36	2	2						
39	Washer (spring)	LWZ202	RC37	2	2						
40	Nut for guide plate screw	CNZ102	RC38	2	2						
41	Nut for actuating lever pivot	LNZ104	RC39	1	1						

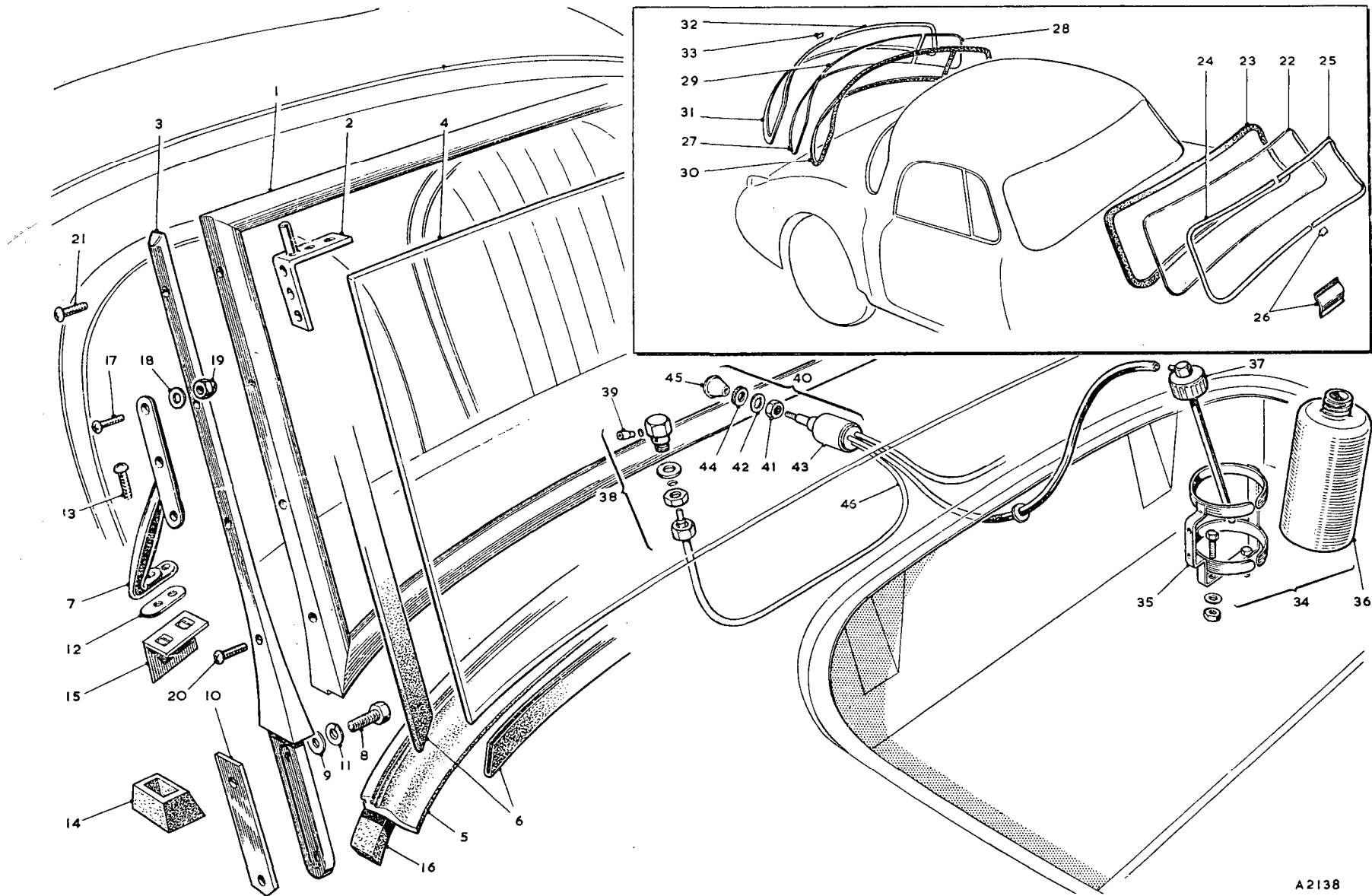
SERVICE PARTS LIST

THE M.G. Series MGA 1500

Item No.	DESCRIPTION	Commencing (C) 10101		Qty. per Vehicle		Unit of Issue	Type of Vehicle	MODIFICATIONS			REMARKS
		Part Number	Illus. No.	RHD	LHD			New Part Number	Change Point	Amdt. No.	
	Boot Lid and Boot Floor Fittings—continued										
1	Surround—boot lid badge	AHH5261	RC40	.1	.1						
2	Letter 'M'	ADH2475	RC41	.1	.1						
3	Letter 'G'	ADH2476	RC42	.1	.1						
4	Spire nut—surround and badge	PFS108	RC43	.13	.13						
5	Seal—petrol filler—boot floor	AHH5260	RC44	.1	.1						
6	Cover-plate—petrol filler seal	AHH5259	RC45	.1	.1						
7	Washer—special—seal/plate to floor	AJD7212	RC46	.3	.3						
8	Washer—spring—seal/plate to floor	LWZ203	RC47	.3	.3						
9	Screw—seal/plate to floor	PMZ0308	RC48	.3	.3						
10	Clamp—spare wheel	H7386	RC49	.1	.1						
11	Bolt for spare wheel clamping	AHH5349	RC50	.1	.1						
12	Wing nut for clamping bolt	AHH5351	RC51	.1	.1						
13	Cross-pin—spare wheel fixing	AHH5350	RC52	.1	.1						
14	Clip for starting-handle	5843	RC53	.3	.3						
15	Washer—spring—clip to rear bulkhead	LWZ203	RC54	.3	.3						
16	Screw fixing clip to rear bulkhead	PPZ0305	RC55	.3	.3						
17	Felt packing for spare wheel	AHH5459		.2	.2						



A2289



A2138

SERVICE PARTS LIST

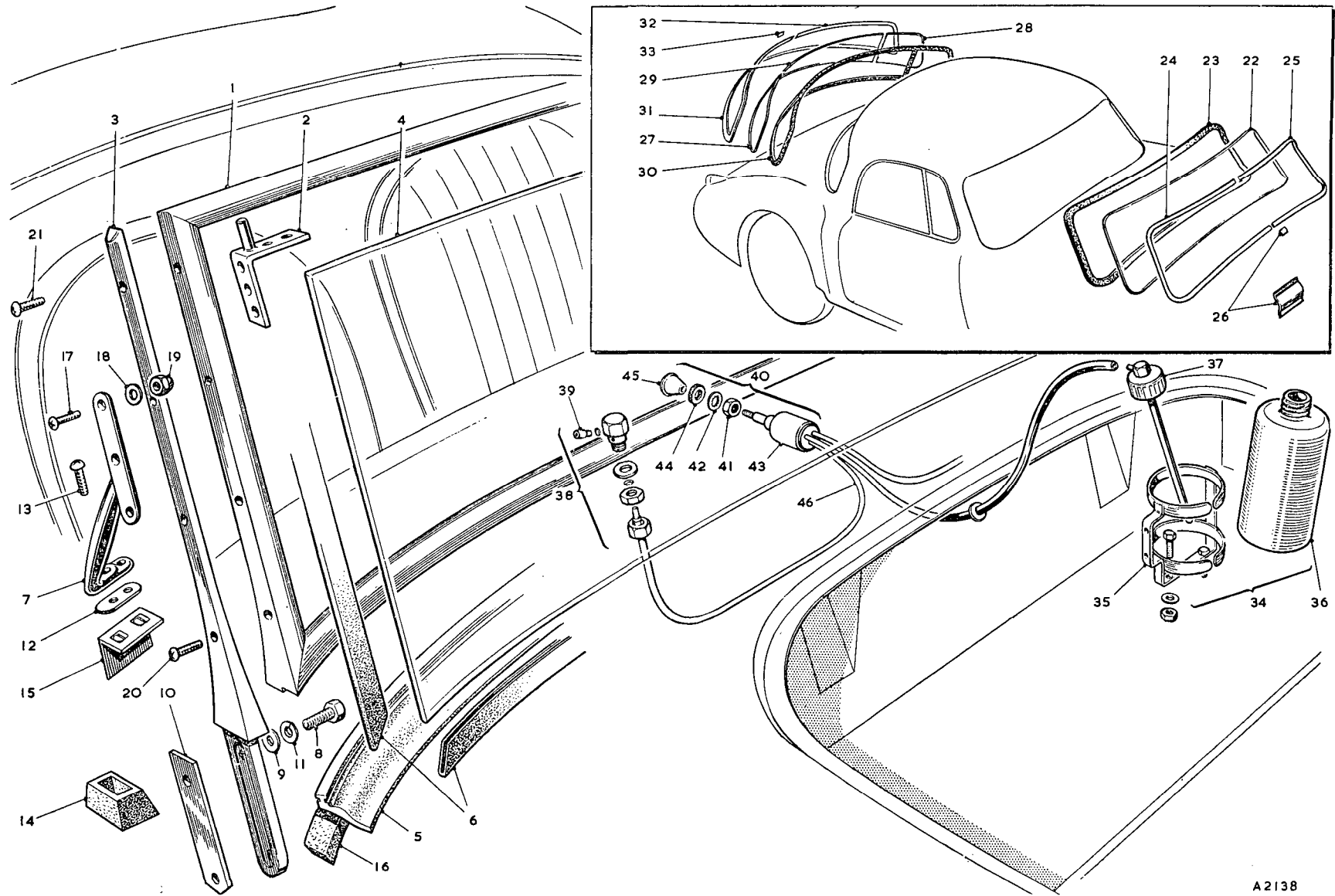
THE M.G. Series MGA 1500

Item No.	DESCRIPTION	Commencing (C) 10101		Qty. per Vehicle		Unit of Issue	Type of Vehicle	MODIFICATIONS			REMARKS
		Part Number	Illus. No.	RHD	LHD			New Part Number	Change Point	Amdt. No.	
	WINDSCREEN										
1	Windscreen assembly	AFH1716		1	1		Tourer				
2	Frame	AFH1717	RD1	1	1						
3	Peg—hood attachment—R/H	AFH2630	RD2	1	1						
4	Peg—hood attachment—L/H	AFH2631		1	1						
5	Stanchion—R/H	AFH1718	RD3	1	1						
6	Stanchion—L/H	AFH1719		1	1						
7	Glass	AFH1720	RD4	1	1						
8	Apron (rubber)	AFH1721	RD5	1	1						
9	Glazing rubber	AFH1724	RD6	1	1						
10	Grab handle—R/H	AFH1722	RD7	1	1						
11	Grab handle—L/H	AFH1723		1	1						
12	Bolt—stanchion to body	HBZ0610	RD8	4	4						
13	Washer (plain)	PWZ106	RD9	4	4						
14	Packing—stanchion	AFH2547	RD10	A/R	A/R						
15	Washer (spring)	LWZ206	RD11	4	4						
16	Packing-piece—grab handle	AFH1687	RD12	2	2						
17	Screw fixing grab handle to body	RPP0312	RD13	4	4						
18	Grommet—stanchion to body	AFH1726	RD14	2	2						
19	Reinforcement assembly—grab handle	AFH1787	RD15	2	2						
20	Packing for windscreen	AFH2868	RD16	2	2						
21	Screw fixing grab handle to frame	CMP0307	RD17	6	6						
22	Washer (plain)	PWZ203	RD18	6	6						
23	Nut—domed—handle to frame	AFH2809	RD19	6	6						
24	Screw fixing stanchion to frame—bottom (long)	RMP0312	RD20	2	2						
25	Screw fixing stanchion to frame (short)	RMP0310	RD21	6	6						
26	Glass—windscreen	AFH3830	RD22	1	1						
27	Rubber—windscreen surround	AFH3831	RD23	1	1						
28	Finisher—windscreen surround—R/H	AFH3832	RD24	1	1						
29	Finisher—windscreen surround—L/H	AFH3833	RD25	1	1						
30	Jointing piece—windscreen finisher	AFH3778	RD26	2	2						
	BACK-LIGHT						Coupé				
31	Glass—back-light—side—R/H	AFH3834	RD27	1	1						
32	Glass—back-light—side—L/H	AFH3835	RD28	1	1						
33	Glass—back-light—centre	AFH3836	RD29	1	1						
34	Rubber—surround assembly—back-light	AFH3837	RD30	1	1						
35	Finisher—back-light surround—R/H	AFH3838	RD31	1	1						
36	Finisher—back-light surround—L/H	AFH3839	RD32	1	1						
37	Jointing piece—back-light finisher	AFH3778	RD33	2	2						

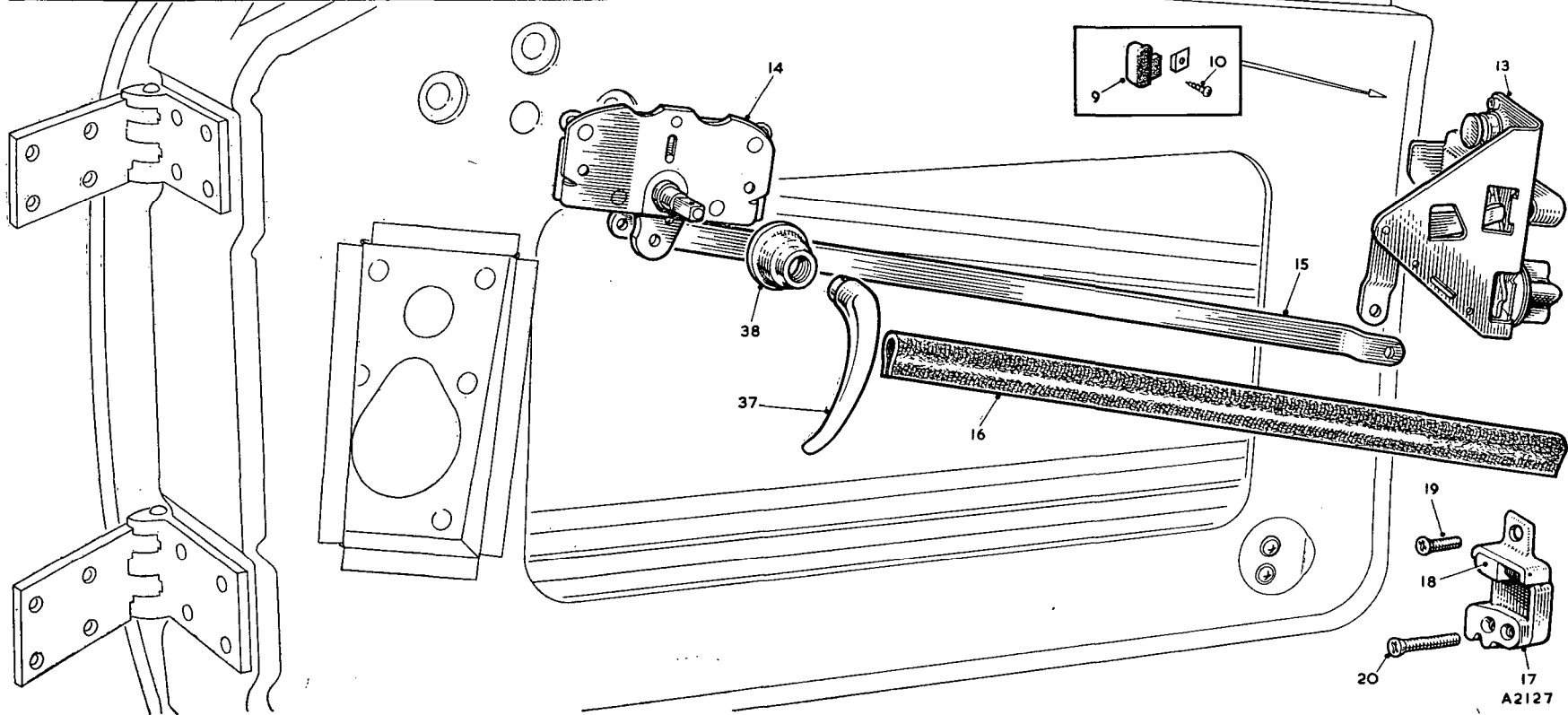
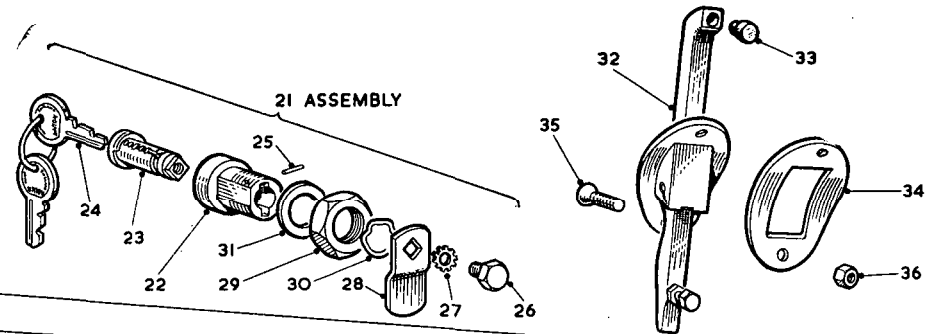
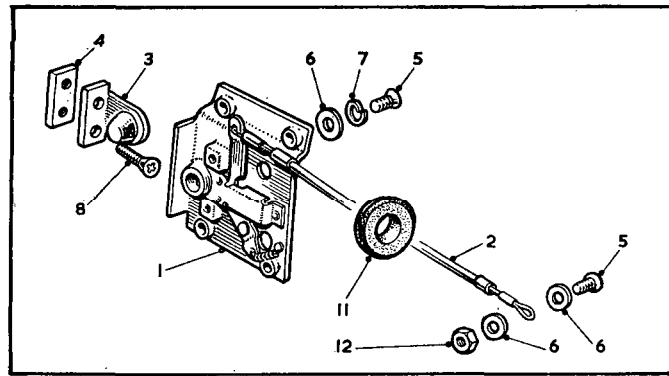
SERVICE PARTS LIST

THE M.G. Series MGA 1500

Item No.	DESCRIPTION	Commencing (C) 10101		Qty. per Vehicle		Unit of Issue	Type of Vehicle	MODIFICATIONS			REMARKS
		Part Number	Illus. No.	RHD	LHD			New Part Number	Change Point	Amdt. No.	
	WINDSCREEN WASHER (Optional Extra)										
1	Windscreen washer kit	AHH5798		1	1						
2	Bracket and container	17H9747	RD34	1	1						
3	Bracket	7H9781	RD35	1	1						
4	Container	7H9779	RD36	1	1						
5	Cap	7H9785	RD37	1	1						
6	Jet mounting assembly	7H9777	RD38	2	2						
7	Jet mounting assembly	17H9746		2	2						
8	Jet mounting assembly			2	2			27H9622	Fin. (C) 45185		Adjustable jet
9	Jet		RD39	2	2			27H9623	Com. (C) 45186		Fixed jet
10	Control assembly with tubes	7H9776	RD40	1	1						Small adjustable jet
11	Control assembly with tubes	17H9748		1	1						Use with 7H9777
12	Control assembly with tubes			1	1			27H9624	Fin. (C) 45185		Use with 17H9746
13	Nut—plunger	7H9780	RD41	1	1						
14	Washer (shakeproof)	7H9782	RD42	1	1						
15	Rubber bulb		RD43	1	1			27H9626	Com. (C) 45186		
16	Collar—knurled	7H9784	RD44	1	1						
17	Push-button knob	7H9783	RD45	1	1			27H9625	Com. (C) 45186		
18	Tubing (state length)	7H9786	RD46	A/R	A/R						



A2138



SERVICE PARTS LIST

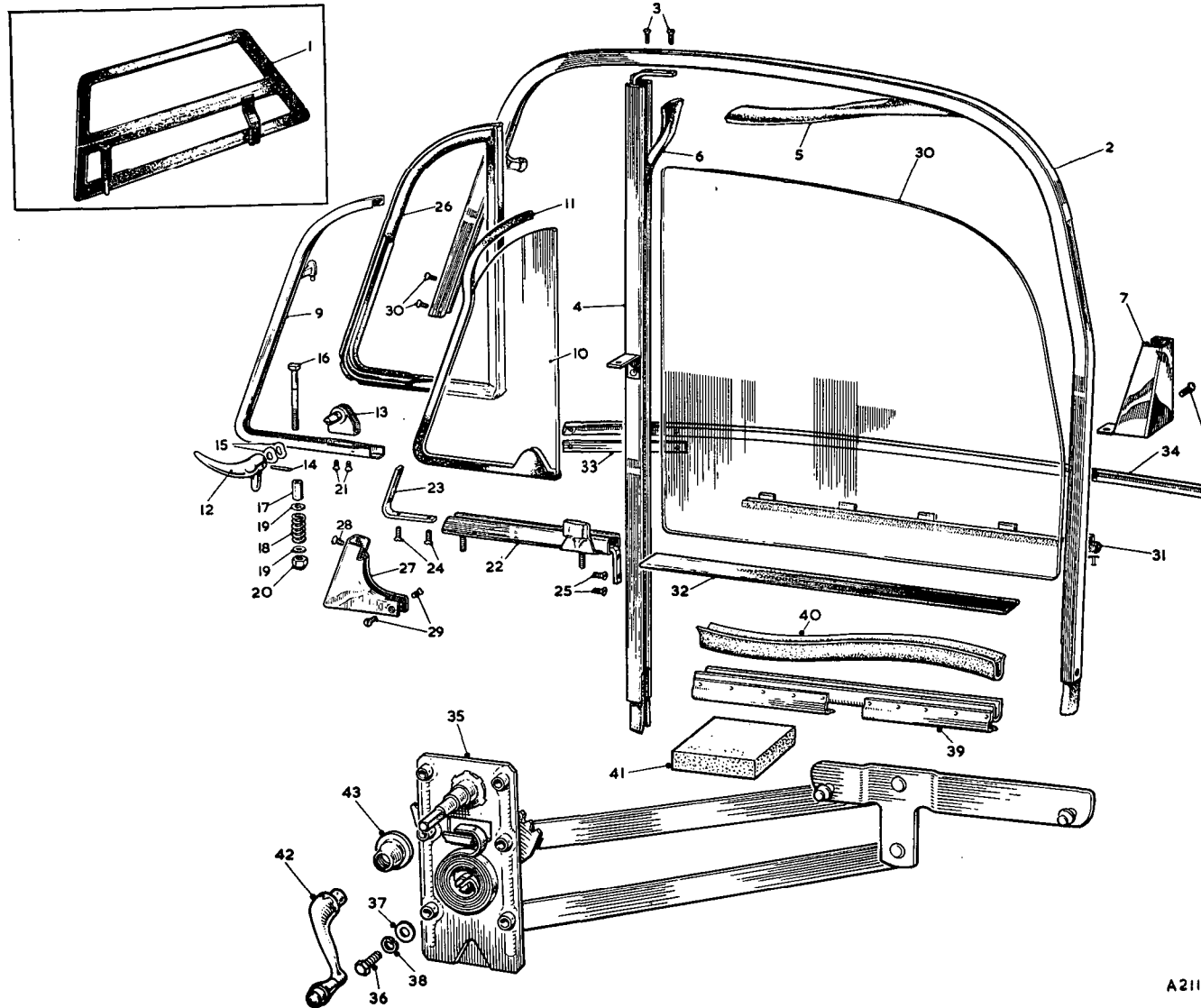
THE M.G. Series MGA 1500

Item No.	DESCRIPTION	Commencing (C) 10101		Qty. per Vehicle		Unit of Issue	Type of Vehicle	MODIFICATIONS			REMARKS
		Part Number	Illus. No.	RHD	LHD			New Part Number	Change Point	Amdt. No.	
	DOOR FITTINGS										
1	Lock assembly—R/H door	AFH1682	RE1	1	1		Tourer				
2	Lock assembly—L/H door	AFH1683		1	1						
3	Cable—operating	7H9958	RE2	2	2						
4	Striking plate—door lock	AFH1684	RE3	2	2						
5	Tapping plate—striker	AFH1685	RE4	2	2						
6	Screw fixing lock to door/cable	PPZ0308	RE5	10	10						
7	Washer (plain) for lock and cable	PWZ203	RE6	12	12						
8	Washer (spring)	LWZ203	RE7	8	8						
9	Screw fixing striker to body	CPZ0412	RE8	4	4						
10	Screw fixing lock to door	PTZ603		4	4						
11	Buffer assembly—door	MB19556	RE9	4	4						
12	Screw fixing buffer to body	AJD2245Z	RE10	4	4						
13	Grommet (rubber) for door lock release	RFN110	RE11	2	2						
14	Nut for door lock cable	FNZ103	RE12	2	2						
15	Lock assembly—R/H door	AFH3894		1	1		Coupé				
16	Lock assembly—L/H door	AFH3895		1	1						
17	Lock—R/H	17H9736	RE13	1	1						
18	Lock—L/H	17H9737		1	1						
19	Remote-control mechanism—R/H	17H9738	RE14	1	1						
20	Remote control mechanism—L/H	17H9739		1	1						
21	Link—connecting	17H9740	RE15	2	2						
22	Sleeve—anti-rattle	17H9735	RE16	2	2						
23	Washer (rubber)	17H9742		4	4						
24	Rivet	17H9743		4	4						
25	Plate—striker—door lock—R/H	AFH3896	RE17	1	1						
26	Plate—striker—door lock—L/H	AFH3897		1	1						
27	Plate—tapping—striker	AFH3792	RE18	2	2						
28	Screw fixing door lock striker to body	CPZ0412	RE19	2	2						
29	Screw fixing door lock striker to body	CPZ0420	RE20	4	4						
30	Lock assembly—private	AFH3893	RE21	1	1						
31	Housing—lock	AKC458	RE22	1	1						
32	Cylinder—lock, complete with keys	17H9745	RE23	1	1						
33	Key	ANK4646	RE24	2	2						
34	Peg—retaining	17H9930	RE25	1	1						
35	Latch bolt	AKC453	RE26	1	1						
36	Washer for bolt	17H9741	RE27	1	1						
37	Latch	17H9744	RE28	1	1						
38	Locknut	AKC455	RE29	1	1						
39	Washer (waved)	AKC454	RE30	1	1						
40	Washer—seating	AKC451	RE31	1	1						
41	Handle assembly—door—outside	AFH3796	RE32	2	2						
42	Rubber insert—outside door handle	17H9989	RE33	2	2						
43	Washer—seating	AFH4513	RE34	2	2						
44	Screw fixing handles to door	RMP0308	RE35	4	4						
45	Nut for screw	LNZ203	RE36	4	4						
46	Handle—door—inside	ADH5482	RE37	2	2						
47	Escutcheon assembly—inside handle	ADB709	RE38	2	2						

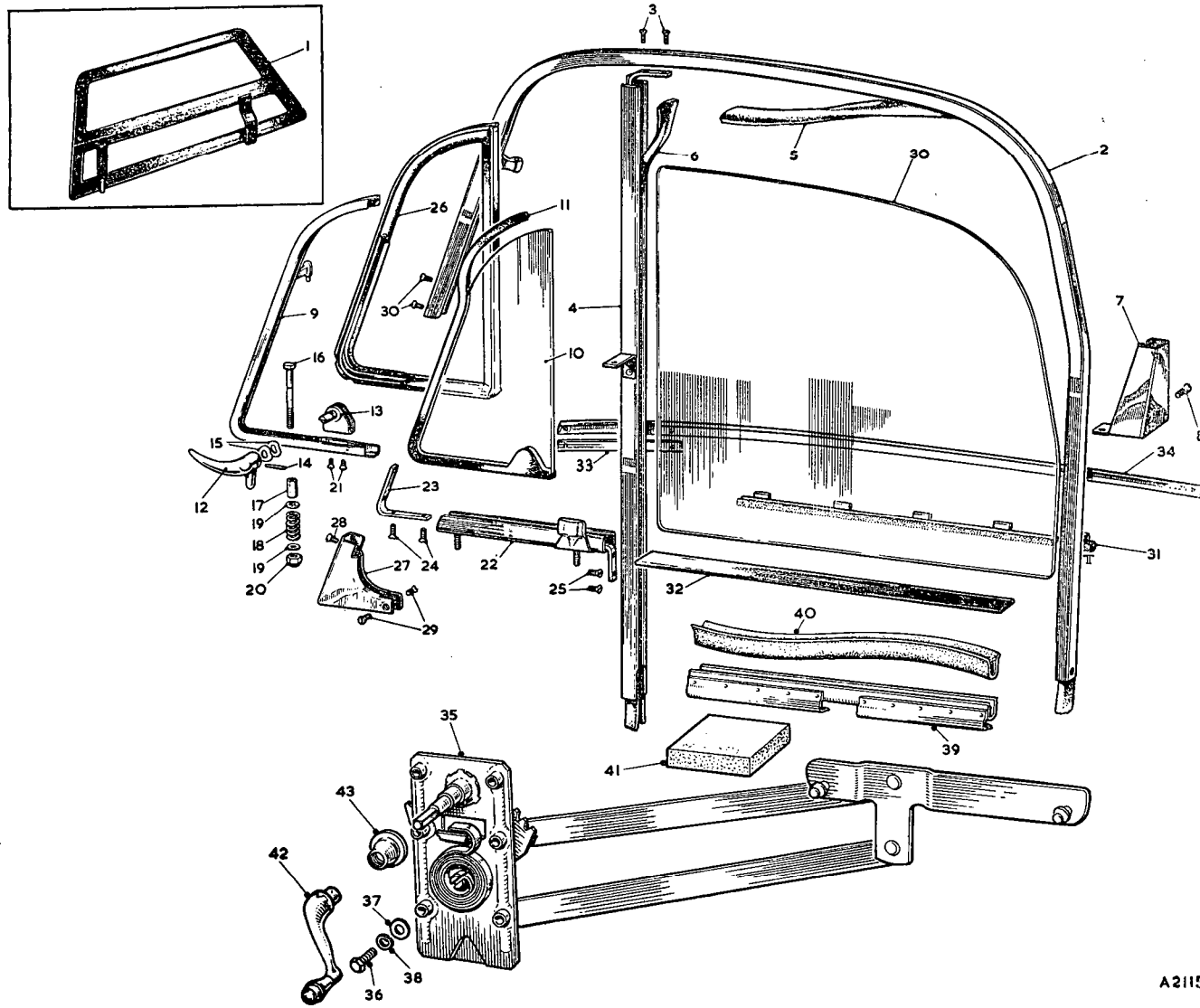
SERVICE PARTS LIST

THE M.G. Series MGA 1500

Item No.	DESCRIPTION	Commencing (C) 10101		Qty. per Vehicle		Unit of Issue	Type of Vehicle	MODIFICATIONS			REMARKS	
		Part Number	Illus. No.	RHD	LHD			New Part Number	Change Point	Amdt. No.		
	WINDOWS—SIDE											
1	Side-curtain assembly—R/H	AFH1742		1	1	Tourer] State colour	
2	Side-curtain assembly—L/H	AFH1743	RF1	1	1							
3	Side-curtain assembly—R/H—Black			1	1							
4	Side-curtain assembly—R/H—Ice Blue			1	1							
5	Side-curtain assembly—L/H—Black			1	1							
6	Side-curtain assembly—L/H—Ice Blue			1	1							
7	Frame assembly—R/H	AFH2660		1	1							
8	Frame assembly—L/H	AFH2661		1	1							
9	Frame—signalling flap	AFH2662		2	2							
10	Panel—sidescreen	AFH2663		2	2							
11	Panel—signalling flap	AFH2664		2	2							
12	Closing device—flap	AFH2666		2	2							
13	Fork end	AFH2677		1	1							
14	Spring	AFH2680		1	1							
15	Frame and ventilator assembly—window—door—R/H	AFH3802		1	1		Coupé					
16	Frame and ventilator assembly—window—door—L/H	AFH3803		1	1							
17	Channel assembly—frame surround—R/H	AFH4858	RF2	1	1							
18	Channel assembly—frame surround—L/H	AFH4859		1	1							
19	Screw fixing surround channel to vertical channel	RMP0204	RF3	4	4							
20	Channel assembly—vertical—R/H	AFH4860	RF4	1	1							
21	Channel assembly—vertical—L/H	AFH4861		1	1							
22	Strip—felt—surround channel	AFH4862	RF5	2	2							
23	Strip—felt—vertical channel	AFH4863	RF6	2	2							
24	Blending piece—channel—R/H—rear	AFH4864	RF7	1	1							
25	Blending piece—channel—L/H—rear	AFH4865		1	1							
26	Screw fixing blending piece to channel—rear	17H9935	RF8	2	2							
27	Ventilator assembly—R/H	AFH4848		1	1							
28	Ventilator assembly—L/H	AFH4849		1	1							
29	Frame assembly—vent—R/H	AFH4872	RF9	1	1							
30	Frame assembly—vent—L/H	AFH4873		1	1							
31	Glass	AFH4847	RF10	2	2							
32	Strip—glazing	AFH4874	RF11	2	2							
33	Handle—locking—R/H	AFH6532	RF12	1	1							
34	Handle—locking—L/H	AFH6533		1	1							
35	Bracket for locking handle	AFH6531	RF13	2	2							
36	Pin for locking handle	AFH6534	RF14	2	2							
37	Washer—waved—handle	AFH4875	RF15	4	4							
38	Pivot bolt—vent	AFH4876	RF16	2	2							
39	Sleeve for pivot bolt	AFH4877	RF17	2	2							
40	Spring for pivot bolt	AFH4878	RF18	2	2							
41	Washer (plain)	PWZ204	RF19	4	4							
42	Nut for pivot bolt	LNZ204	RF20	2	2							



A2115



A2115

SERVICE PARTS LIST

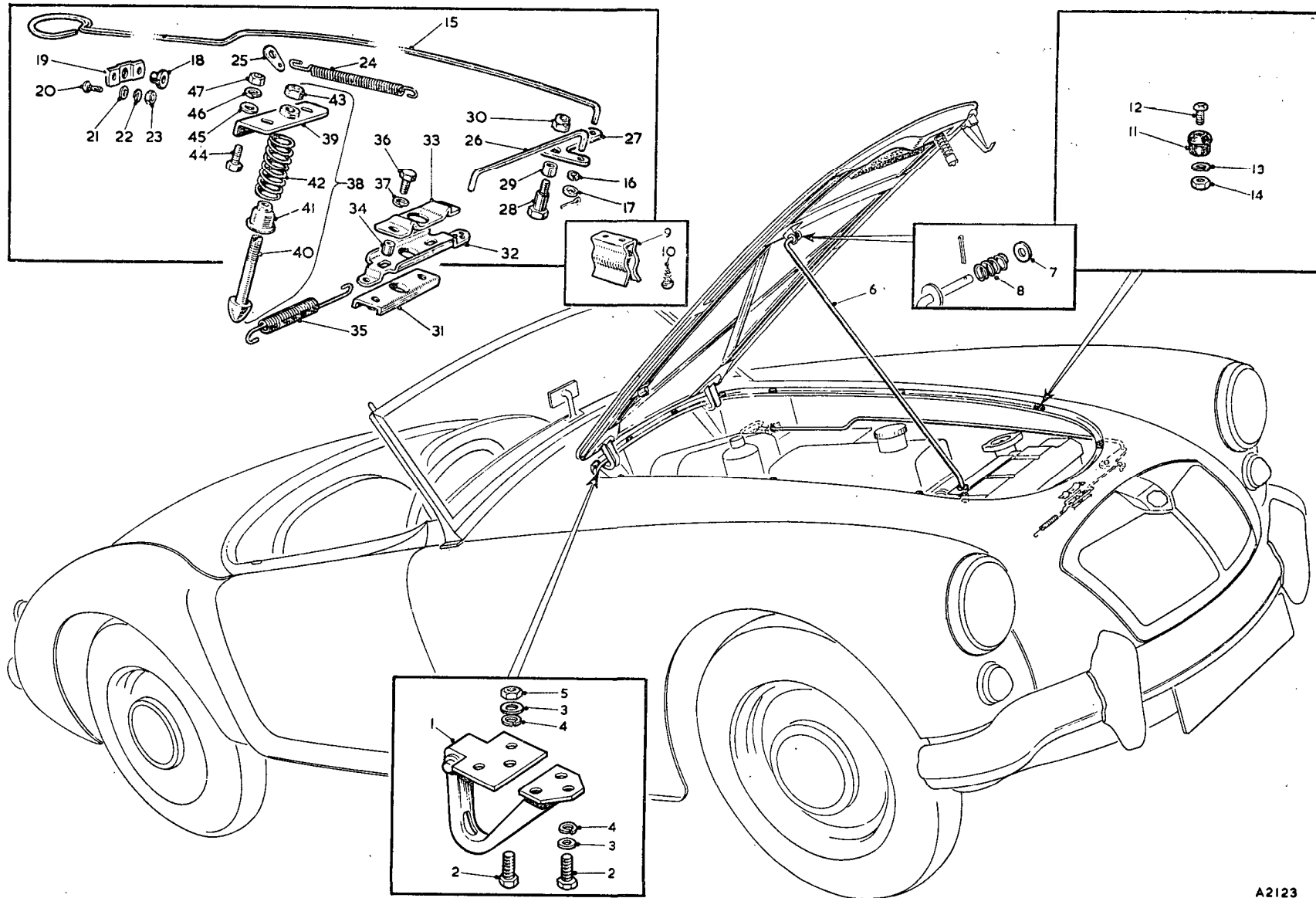
THE M.G. Series MGA 1500

Item No.	DESCRIPTION	Commencing (C) 20671		Qty. per Vehicle		Unit of Issue	Type of Vehicle	MODIFICATIONS			REMARKS
		Part Number	Illus. No.	RHD	LHD			New Part Number	Change Point	Amdt. No.	
	Windows—Side—continued										
1	Screw fixing handle bracket to frame	CMP0204	RF21	4	4		Coupe				
2	Channel assembly—bottom—ventilator—R/H	AFH4866	RF22	1	1						
3	Channel assembly—bottom—ventilator—L/H	AFH4867		1	1						
4	Bracket—vent corner—front	AFH4868	RF23	2	2						
5	Screw fixing angle bracket—front	CMZ0204	RF24	8	8						
6	Screw fixing angle bracket—rear	CMZ0204	RF25	4	4						
7	Rubber—vent surround—R/H	AFH4870	RF26	1	1						
8	Rubber—vent surround—L/H	AFH4871		1	1						
9	Blending piece—front	AFH4869	RF27	2	2						
10	Screw fixing blending piece to channel—front	17H9934	RF28	2	2						
11	Screw fixing blending piece to vent channel	17H9935	RF29	4	4						
12	Glass—door	AFH4453	RF30	2	2						
13	Weatherstrip—window frame	AFH4455	RF31	2	2						
14	Weatherstrip—garnish rail	AFH4456	RF32	2	2						
15	Packing—weatherstrip finisher	AFH4569	RF33	2	2						
16	Finisher—weatherstrip—R/H door	AFH4458	RF34	1	1						
17	Finisher—weatherstrip—L/H door	AFH4459		1	1						
18	Regulator assembly—window—R/H	AFH3898	RF35	1	1						
19	Regulator assembly—window—L/H	AFH3899		1	1						
20	Screw fixing regulator to mounting bracket	HZS0404	RF36	12	12						
21	Washer (plain)	PWZ204	RF37	12	12						
22	Washer (spring)	LWZ204	RF38	12	12						
23	Channel for door window glass—lower	AFH3900	RF39	2	2						
24	Strip—glazing	AFH4454	RF40	2	2						
25	Buffer for door glass stop	AFH4568	RF41	2	2						
26	Handle—window regulator	ADH5481	RF42	2	2						
27	Escutcheon assembly—regulator handle	ADB709	RF43	2	2						

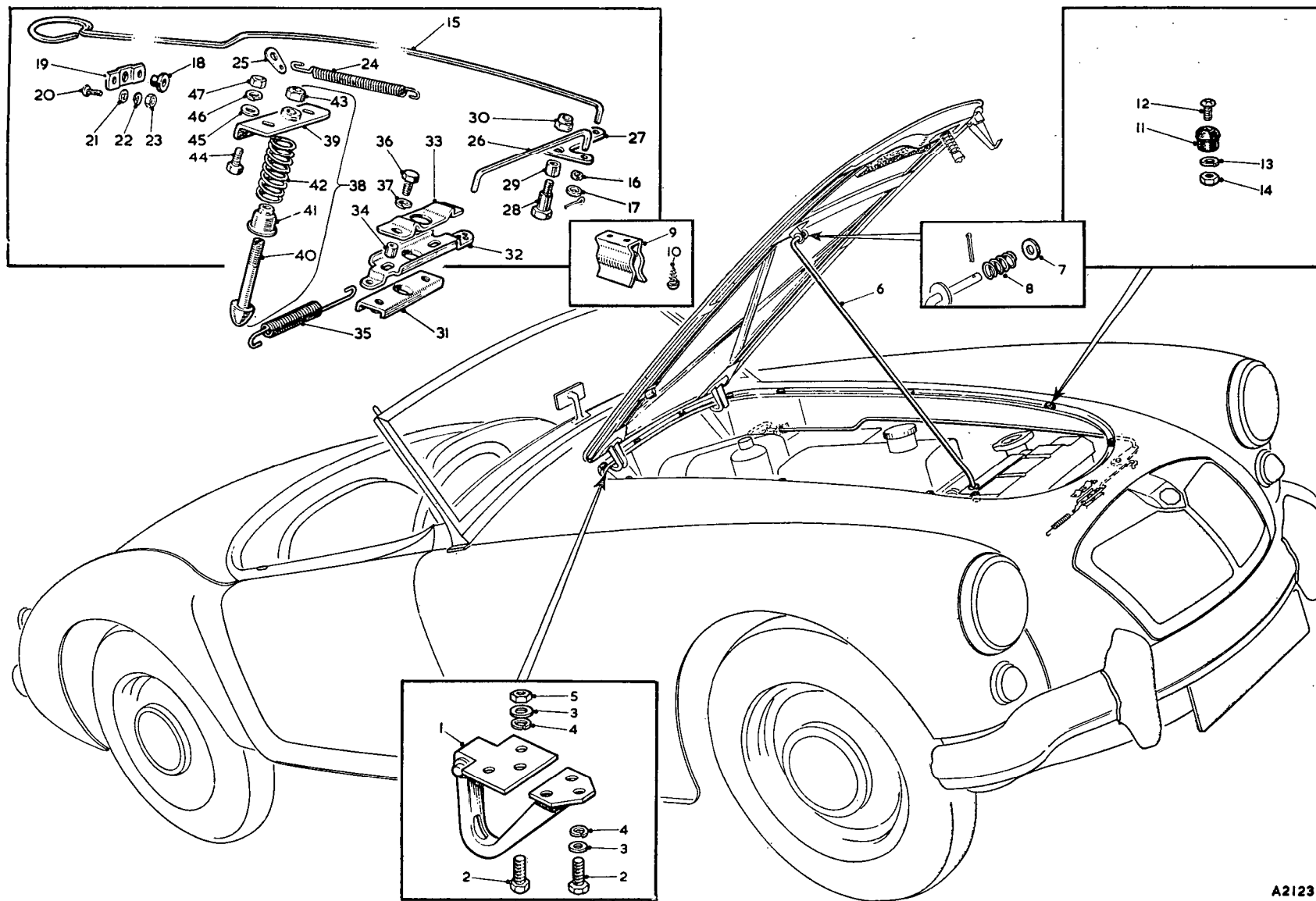
SERVICE PARTS LIST

THE M.G. Series MGA 1500

Item No.	DESCRIPTION	Commencing (C) 10101		Qty. per Vehicle		Unit of Issue	Type of Vehicle	MODIFICATIONS			REMARKS
		Part Number	Illus. No.	RHD	LHD			New Part Number	Change Point	Amdt. No.	
	BONNET LID FITTINGS										
1	Hinge—R/H—for bonnet lid	AFH1514	RG1	.1	.1						
2	Hinge—L/H—for bonnet lid	AFH1515		.1	.1						
3	Set screw for bonnet hinges	AFH2587	RG2	.12	.12						
4	Washer for set screw (plain)	PWZ203	RG3	.12	.12						
5	Washer for set screw (spring)	LWZ203	RG4	.12	.12						
6	Nut for bonnet hinge screw	FNZ103	RG5	.2	.2						
7	Rod for bonnet lid support	AFH1755	RG6	.1	.1						
8	Washer for support rod (plain)	PWZ105	RG7	.1	.1						
9	Spring for bonnet lid support rod	139282	RG8	.1	.1						
10	Clip for support rod	AHH5460	RG9	.1	.1						
11	Screw for clip to lid	PTZ803	RG10	.2	.2						
12	Buffer for bonnet lid	271601	RG11	.10	.10						
13	Screw for buffer fixing	PMZ0208	RG12	.10	.10						
14	Washer for screw (spring)	LWZ202	RG13	.10	.10						
15	Nut for buffer screw	CNZ102	RG14	.10	.10						
	BONNET—CATCH AND CONTROL										
16	Rod for bonnet catch control	AFH1757	RG15	.1	.1						
17	Washer for control rod (spring)	128900	RG16	.3	.3						
18	Washer for control rod (plain)	PWZ203	RG17	.3	.3						
19	Grommet for dash panel	133221	RG18	.1	.1						
20	Plate for grommet retaining	133222	RG19	.1	.1						
21	Screw for retaining plate to dash	PMZ0208	RG20	.2	.2						
22	Washer for screw (plain)	PWZ202	RG21	.2	.2						
23	Washer for screw (spring)	LWZ202	RG22	.2	.2						
24	Nut for plate to dash screw	CNZ102	RG23	.2	.2						
25	Spring for bonnet catch (anti-rattle)	95219	RG24	.1	.1						
26	Tension plate for anti-rattle spring	ADA2463	RG25	.1	.1						
27	Rod for lever to slider control	133213	RG26	.1	.1						
28	Lever for control rod	AFH1654	RG27	.1	.1						
29	Bolt for control rod lever pivot	AFH1655	RG28	.1	.1						
30	Distance tube for pivot bolt	AFH1675	RG29	.1	.1						
31	Nut for pivot bolt	LNZ103	RG30	.1	.1						
32	Slider support assembly	ADH456	RG31	.1	.1						
33	Slider for bonnet catch	ADA461	RG32	.1	.1						
34	Guide plate for bonnet catch	ADA463	RG33	.1	.1						
35	Distance tube for bonnet catch	ADA464	RG34	.2	.2						
36	Tension spring for bonnet catch	ADA466	RG35	.1	.1						
37	Bolt for catch to body	HBZ0408	RG36	.2	.2						
38	Washer for bolt (spring)	LWZ204	RG37	.2	.2						



A2123



A2123

SERVICE PARTS LIST

THE M.G. Series MGA 1500

Item No.	DESCRIPTION	Commencing (C) 10101		Qty. per Vehicle		Unit of Issue	Type of Vehicle	MODIFICATIONS			REMARKS
		Part Number	Illus. No.	RHD	LHD			New Part Number	Change Point	Amdt. No.	
	NUMBER-PLATES AND FITTINGS										
1	Front number-plate	ACH5835	RH1	1	1						
2	Screw fixing plate to bracket	PMZ0410	RH2	2	2						
3	Washer (spring)—plate to bracket	LWZ204	RH3	2	2						
4	Nut for plate to bracket screw	FNZ104	RH4	2	2						
5	Bracket—R/H—number-plate	AHH5161	RH5	1	1						
6	Bracket—L/H—number-plate	AHH5162	RH6	1	1						
7	Screw fixing brackets to bumper	PMZ0408	RH7	2	2						
8	Washer (spring)—brackets to bumper	LWZ204	RH8	2	2						
9	Nut for bracket to bumper screw	FNZ104	RH9	2	2						
10	Rear number-plate	ADG474	RH10	1	1						
11	Lamp bracket	136271	RH11	1	1						
12	Bracket for number-plate mounting	AHH5151	RH12	1	1						
13	Rubber washer for number-plate	500946	RH13	4	4						
14	Screw fixing lamp bracket to mounting bracket	HZS0505	RH14	2	2						
15	Washer (plain)—bracket to bracket screw	PWZ105	RH15	2	2						
16	Washer (spring)—bracket to bracket screw	LWZ205	RH16	2	2	24					
17	Locknut for bracket to bracket screw	FNZ205	RH17	2	2						
18	Washer—packing—number-plate to bracket	AHH5712	RH18	2	2						
19	Screw fixing number-plate to bracket	PMZ0410	RH19	2	2						
20	Washer (plain)—plate to bracket	PWZ104	RH20	2	2						
21	Washer (spring)—plate to bracket	LWZ204	RH21	2	2						
22	Nut for number-plate to bracket screw	FNZ104	RH22	2	2						
23	Support—number-plate	AHA5211			1						North America only