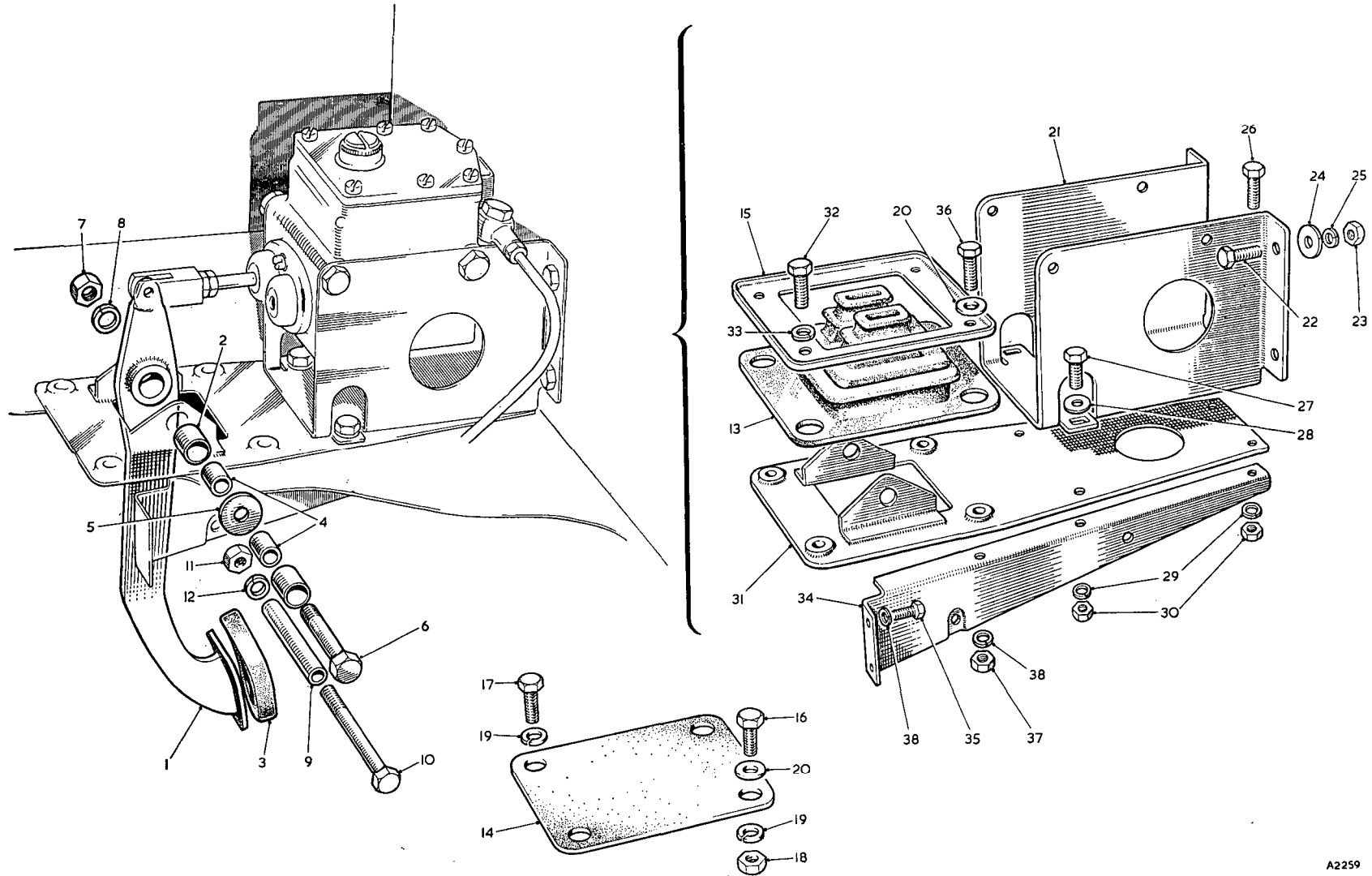


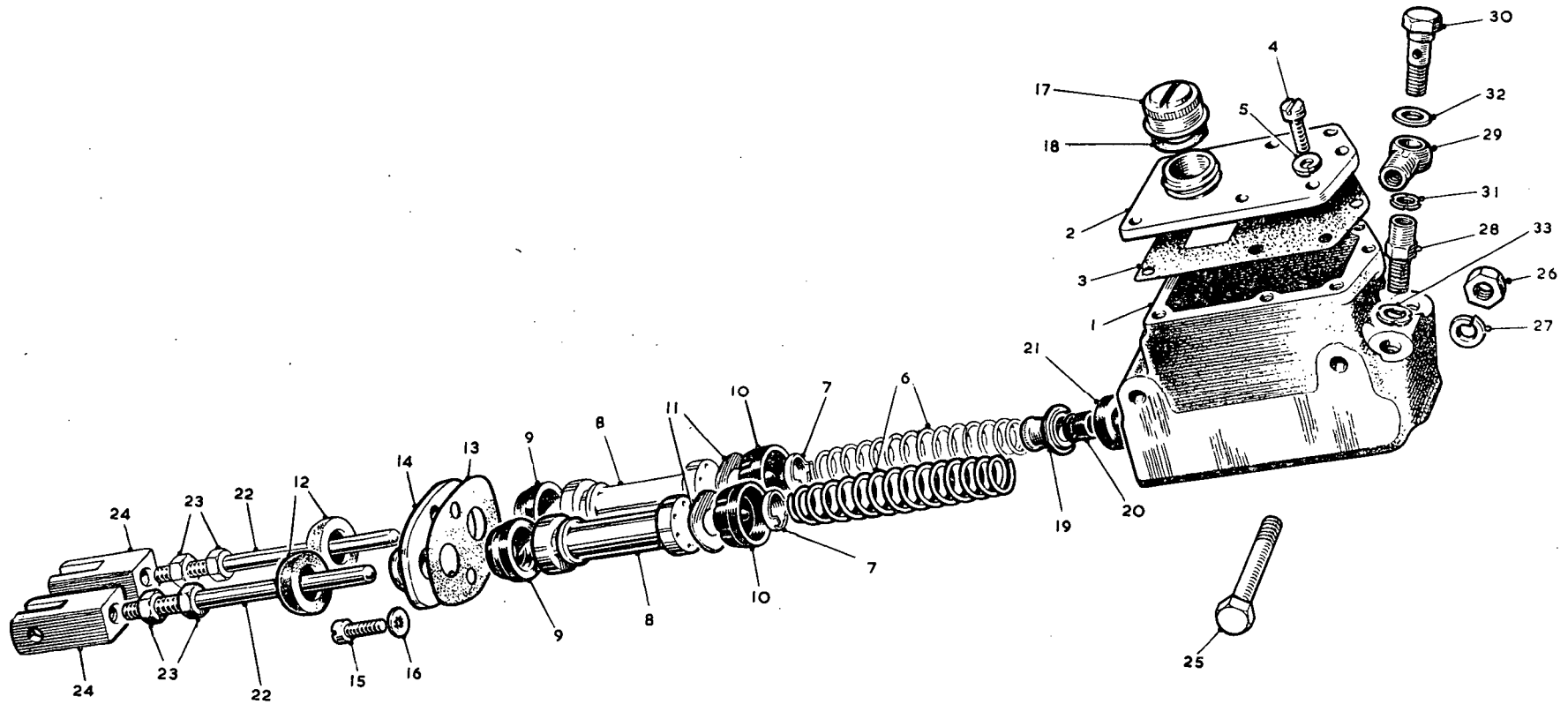
SERVICE PARTS LIST

THE M.G. Series MGA 1500

Item No.	DESCRIPTION	Commencing (C) 10101		Qty. per Vehicle		Unit of Issue	Type of Vehicle	MODIFICATIONS			REMARKS
		Part Number	Illus. No.	RHD	LHD			New Part Number	Change Point	Amdt. No.	
<u>BRAKE CONTROLS</u>											
1	Pedal—brake	AHH5090	M1	1	1			AHH5840	Com. (C) 58713		
2	Bush for pedal	185794	M2	1	1						
3	Pad for pedal (rubber)	AHH5100	M3	1	1						
4	Distance piece—pedal	185795	M4	2	2						
5	Distance washer—pedal	185798	M5	1	1						
6	Bolt for pedal bracket	HBZ0622	M6	1	1						
7	Nut for pedal bracket bolt	FNZ106	M7	1	1						
8	Washer for nut (spring)	LWZ206	M8	1	1						
9	Distance tube—pedal stop	AHH5092	M9	1	1						
10	Bolt for distance tube	HBZ0436	M10	1	1						
11	Nut for distance tube bolt	FNZ104	M11	1	1						
12	Washer for nut (spring)	LWZ204	M12	1	1						
13	Fume excluder—brake and clutch pedal	AHH5101	M13	1	1						
14	Blanking piece (rubber)	AHH5103	M14	1	1						
15	Cover—blanking piece	AHH5102	M15	2	2						
16	Screw for cover	HZS0506	M16	2	2						
17	Screw for cover	HPZ0508	M17	2	2						
18	Nut for screw	FNZ105	M18	2	2						
19	Washer for screw (spring)	LWZ205	M19	4	4	24					
20	Washer for screw (plain)	PWZ205	M20	4	4						
21	Box for master cylinder	AHH5083	M21	1	1						
22	Screw for box to bulkhead	HZS0505	M22	4	4						
23	Nut for screw	FNZ105	M23	4	4						
24	Washer for nut (plain)	PWZ205	M24	4	4						
25	Washer for nut (spring)	LWZ205	M25	4	4	24					
26	Screw—box to bracket—rear	HZS0506	M26	2	2						
27	Screw—box to bracket—front	HZS0507	M27	2	2						
28	Washer for front screw	PWZ205	M28	2	2						
29	Washer for screw (spring)	LWZ205	M29	4	4	24					
30	Nut for box to bracket screw	FNZ105	M30	4	4						
31	Base plate assembly for master cylinder box	AHH5089	M31	1	1						
32	Screw for base plate to cross-bar	HPZ0508	M32	2	2						
33	Washer for screw (spring)	LWZ205	M33	2	2	24					
34	Support bracket—R/H	AHH5084		1	1						
35	Support bracket—L/H	AHH5085	M34	1	1						
36	Screw—bracket to tapping plate	HZS0506	M35	4	4						
37	Screw—bracket to base plate	HZS0506	M36	2	2						
38	Nut for screw	FNZ105	M37	2	2						
39	Washer for nut (spring)	LWZ205	M38	6	6	24					



A2259



A2279

SERVICE PARTS LIST

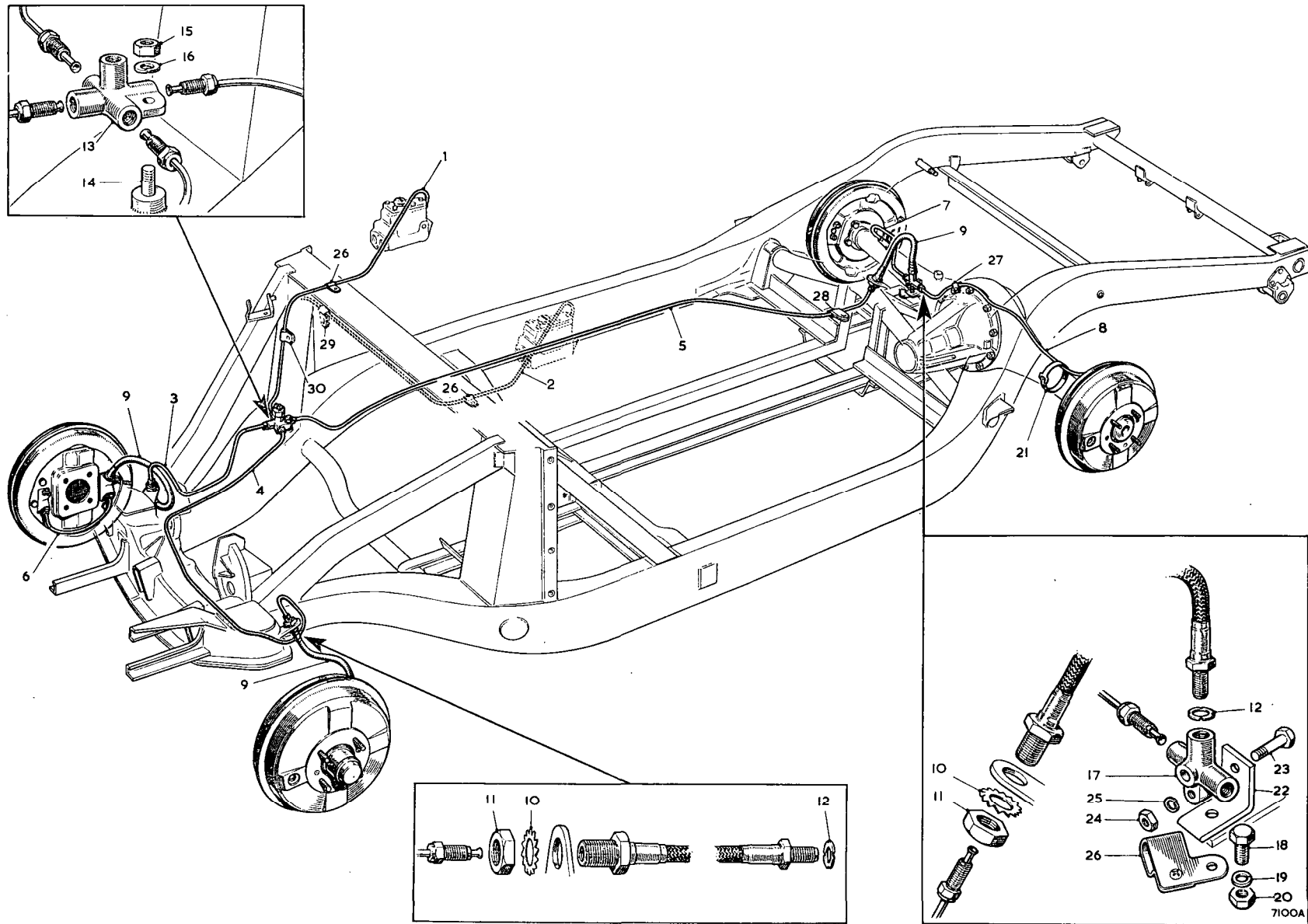
THE M.G. Series MGA 1500

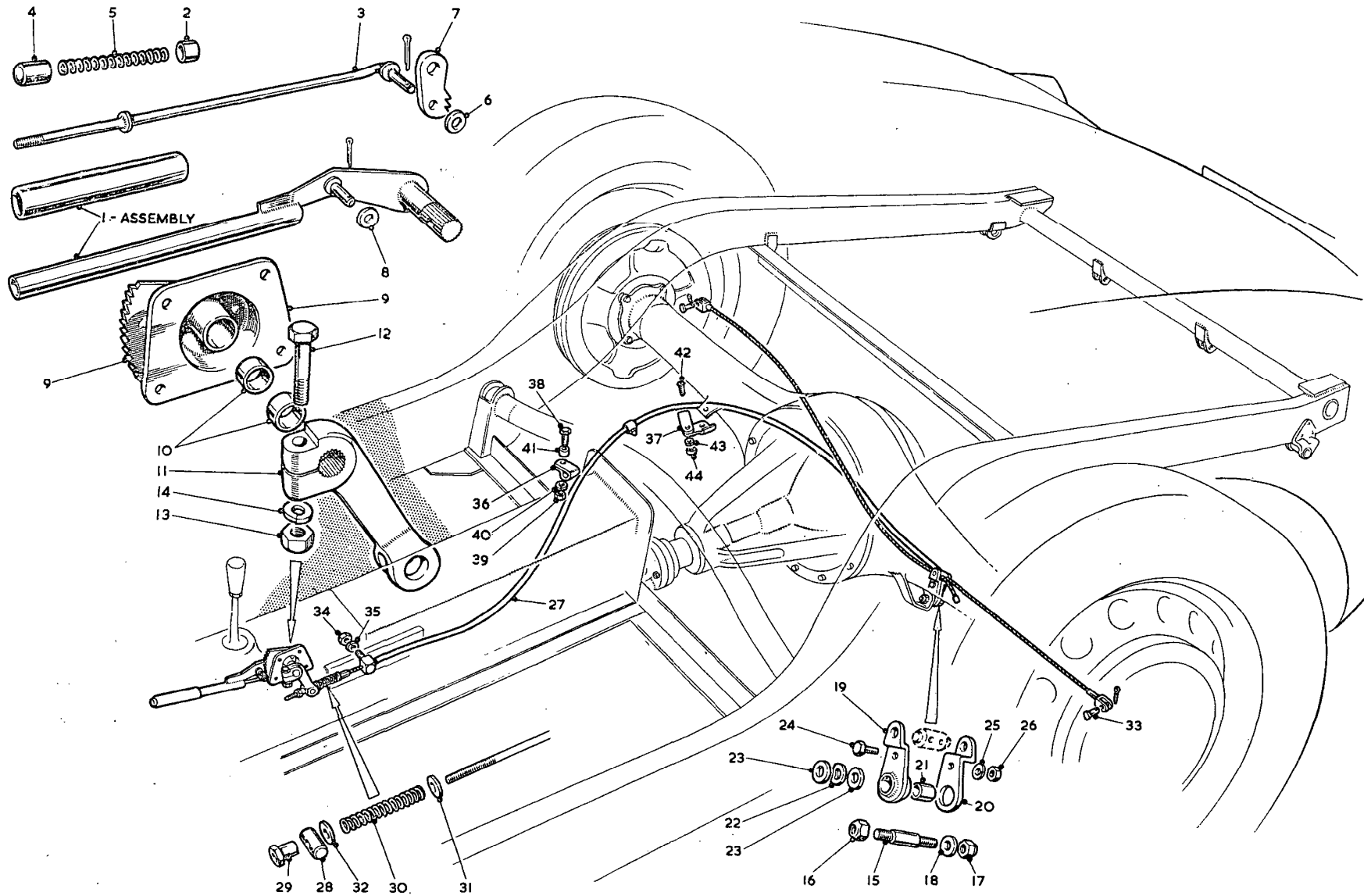
Item No.	DESCRIPTION	Commencing (C) 10101		Qty. per Vehicle		Unit of Issue	Type of Vehicle	MODIFICATIONS			REMARKS
		Part Number	Illus. No.	RHD	LHD			New Part Number	Change Point	Amdt. No.	
	BRAKE AND CLUTCH MASTER CYLINDER										
1	Cylinder and supply tank assembly	AJH5128		1	1						
2	Body	AJH5082	MA1	1	1						
3	Cover for body	AJH5085	MA2	1	1						
4	Joint for cover	AJH5086	MA3	1	1						
5	Screw—cover to body	301551	MA4	5	5						
6	Washer for screw (shakeproof)	LWN404	MA5	5	5						
7	Spring—piston return	AJH5083	MA6	2	2						
8	Retainer for spring	17H7571	MA7	2	2						
9	Piston	7H7925	MA8	2	2						
10	Cup—primary—for piston	7H7485	MA9	2	2	12					
11	Cup—secondary—for piston	17H7109	MA10	2	2						
12	Washer—primary clip to piston	7H7484	MA11	2	2						
13	Boot—push-rod	AJH5084	MA12	2	2						
14	Joint for boot fixing plate	301550	MA13	1	1						
15	Plate for boot fixing	301549	MA14	1	1						
16	Screw—plate	301551	MA15	2	2						
17	Washer for screw (shakeproof)	LWN404	MA16	2	2						
18	Cap—filler	17H7480	MA17	1	1						
19	Seal	AJG5016	MA18	1	1						
20	Valve assembly	68701		1	1						
21	Body	7H7488	MA19	1	1						
22	Cup	7H7022	MA20	1	1						
23	Washer	7H7489	MA21	1	1	12					
24	Push-rod	BCA4046	MA22	2	2						
25	Nut—locking	LNZ205	MA23	4	4						
26	Yoke—push-rod to pedal	AJH5133	MA24	2	2						
27	Bolt—master cylinder to box	HBZ0624	MA25	2	2						
28	Nut for master cylinder to box bolt	FNZ106	MA26	2	2						
29	Washer for bolt (spring)	LWZ206	MA27	2	2						
30	Adaptor—master cylinder	AHH5284	MA28	1	1						
31	Banjo—master cylinder	3H544	MA29	1	1						
32	Bolt—banjo	3H547	MA30	1	1						
33	Joint for banjo connection	7H7456	MA31	1	1						
34	Joint for banjo connection	3H550	MA32	1	1						
35	Joint for adaptor	3H2287	MA33	1	1						

SERVICE PARTS LIST

THE M.G. Series MGA 1500

Item No.	DESCRIPTION	Commencing (C) 10101		Qty. per Vehicle		Unit of Issue	Type of Vehicle	MODIFICATIONS			REMARKS
		Part Number	Illus. No.	RHD	LHD			New Part Number	Change Point	Amdt. No.	
	HYDRAULIC PIPES AND FITTINGS										
1	Pipe—master cylinder to 4-way piece (34")	AHH5278	MB1	1							
2	Pipe—master cylinder to 4-way piece (56")	AHH5282	MB2		1						
3	Pipe—4-way to wheel cylinder—R/H front (19")	AHH5279	MB3	1	1						
4	Pipe—4-way to wheel cylinder—L/H front (47")	AHH5280	MB4	1	1						
5	Pipe—4-way to rear hose (75")	AHH5281	MB5	1	1						
6	Bridge pipe for front wheel cylinder (13")	ACH5305	MB6	2	2						
7	Pipe—rear hose bracket to wheel cylinder—rear—R/H	AJD80	MB7	1	1			AHH5629	Com. (C) 27989 (disc wheels), (C) 28540 (wire wheels)		
8	Pipe—rear hose bracket to wheel cylinder—rear—L/H	AJD82	MB8	1	1			AHH5631	Com. (C) 27989		Disc wheels only
9	Pipe—rear hose bracket to wheel cylinder—rear—L/H	AJD78		1	1			AHH5633	Com. (C) 28540		Wire wheels only
10	Hose—brake	17H7526	MB9	3	3						
11	Washer for hose	LWN710	MB10	3	3						
12	Locknut for hose	2K8686	MB11	3	3						
13	Joint for brake hose	3H2287	MB12	3	3						
14	Four-way piece	AHH5283	MB13	1	1						
15	Stud for 4-way piece to side-member	AHH5195	MB14	1	1						
16	Nut for 4-way piece stud	FNZ104	MB15	1	1						
17	Washer for stud (spring)	LWZ204	MB16	1	1						
18	Three-way piece for rear axle	AJA5028	MB17	1	1			3H2424	Com. (C) 27989 (disc wheels), (C) 28540 (wire wheels)		
19	Screw for 3-way piece and clip to axle bracket	HZS0505	MB18	1	1						
20	Washer for screw (spring)	LWZ205	MB19	1	1	24					
21	Nut for screw	FNZ105	MB20	1	1						
22	Strap for brake pipe to axle	ACH8650	MB21	1	1						
23	Bracket for 3-way piece		MB22	1	1			AHH5627	Com. (C) 27989 (disc wheels), (C) 28540 (wire wheels)		
24	Bolt for 3-way piece to axle bracket		MB23	1	1			HBZ0408			
25	Nut for bolt		MB24	1	1			FNZ104			
26	Washer for bolt (spring)		MB25	1	1			LWZ204			
27	Clip for brake pipe	PCR0311	MB26	1	1						
28	Clip for rear brake pipe—L/H—to differential case bolt	PCR0311	MB27	1	1						
29	Clip for main pipe to battery carrier	PCR0307	MB28	1	1						
30	Clip for brake pipe to R/H toeboard bolt	PCR0309	MB29	1	1						
31	Clip for brake pipe to toeboard	CHR0409	MB30	1							

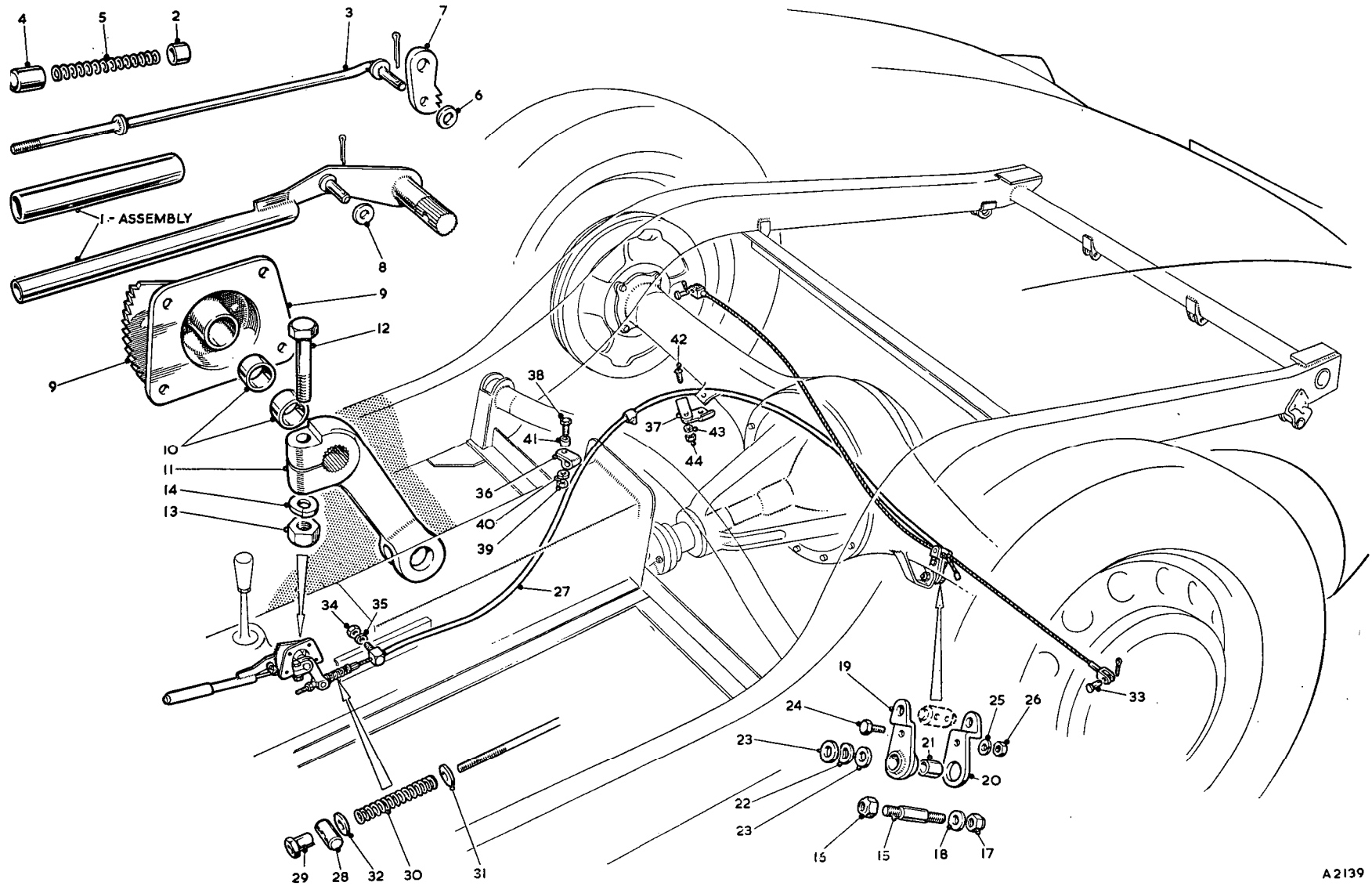




SERVICE PARTS LIST

THE M.G. Series MGA 1500

Item No.	DESCRIPTION	Commencing (C) 10101		Qty. per Vehicle		Unit of Issue	Type of Vehicle	MODIFICATIONS			REMARKS
		Part Number	Illus. No.	RHD	LHD			New Part Number	Change Point	Amdt. No.	
	HAND BRAKE MECHANISM										
1	Hand brake assembly	AHH5229		1	1						
2	Handle plate and shaft assembly	AHH5230	MC1	1	1						
3	Bush for handle plate and shaft	81756	MC2	1	1						
4	Pawl rod assembly	AHH5233	MC3	1	1						
5	Knob for pawl rod	ACC8956	MC4	1	1						
6	Spring for pawl rod	80641	MC5	1	1						
7	Washer (plain)	PWZ103	MC6	1	1						
8	Pawl	AHH5238	MC7	1	1						
9	Washer (plain)	PWZ105	MC8	1	1						
10	Fulcrum and ratchet assembly	AHH5232	MC9	1	1						
11	Bush	AHH5242	MC10	2	2						
12	Screw for hand brake to gearbox cover	HZS0504		5	5						
13	Screw for hand brake to gearbox cover	HZS0505		3	3						
14	Nut for screw—hand brake to gearbox cover	FNZ105		8	8						
15	Washer for screw (spring)	LWZ205		8	8	24					
16	Operating lever for hand brake	AHH5244	MC11	1	1						
17	Bolt for operating lever	HBZ0510	MC12	1	1						
18	Nut for bolt operating lever	FNZ105	MC13	1	1						
19	Washer for bolt (spring)	LWZ205	MC14	1	1	24					
20	Fulcrum for hand brake compensator	AHH5025	MC15	1	1						
21	Nut for fulcrum to axle	LNZ106	MC16	1	1						
22	Nut for compensator to fulcrum	LNZ105	MC17	1	1						
23	Washer for compensator to fulcrum (plain)	PWZ205	MC18	1	1						
24	Lever—inner compensating	AHH5203	MC19	1	1						
25	Lever—outer compensating	ACH5101	MC20	1	1						
26	Bush for compensating lever	AHH5225	MC21	1	1						
27	Washer for compensating lever (anti-rattle)	AHH5224	MC22	1	1						
28	Washer for compensating lever (plain)	PWZ107	MC23	2	2						
29	Screw for compensating lever	HZS0405	MC24	1	1						
30	Washer for compensating lever (spring)	LWZ204	MC25	1	1						
31	Nut for screw—compensating lever	FNZ104	MC26	1	1						
32	Cable—hand brake	AHH5227	MC27	1	1						Disc wheels
33	Cable—hand brake	AHH5228		1	1						Wire wheels
34	Trunnion for cable	AHH5322	MC28	1	1						
35	Adjuster nut	ACH5104	MC29	1	1						
36	Spring for cable	ACH8508	MC30	1	1						
37	Washer for cable spring—rear (plain)	PWZ104	MC31	1	1						
38	Washer for cable spring—front (plain)	PWZ204	MC32	1	1						
39	Clevis pin	ACB8715	MC33	2	2						



A2139