

709DB

**SERVICE PARTS LIST**

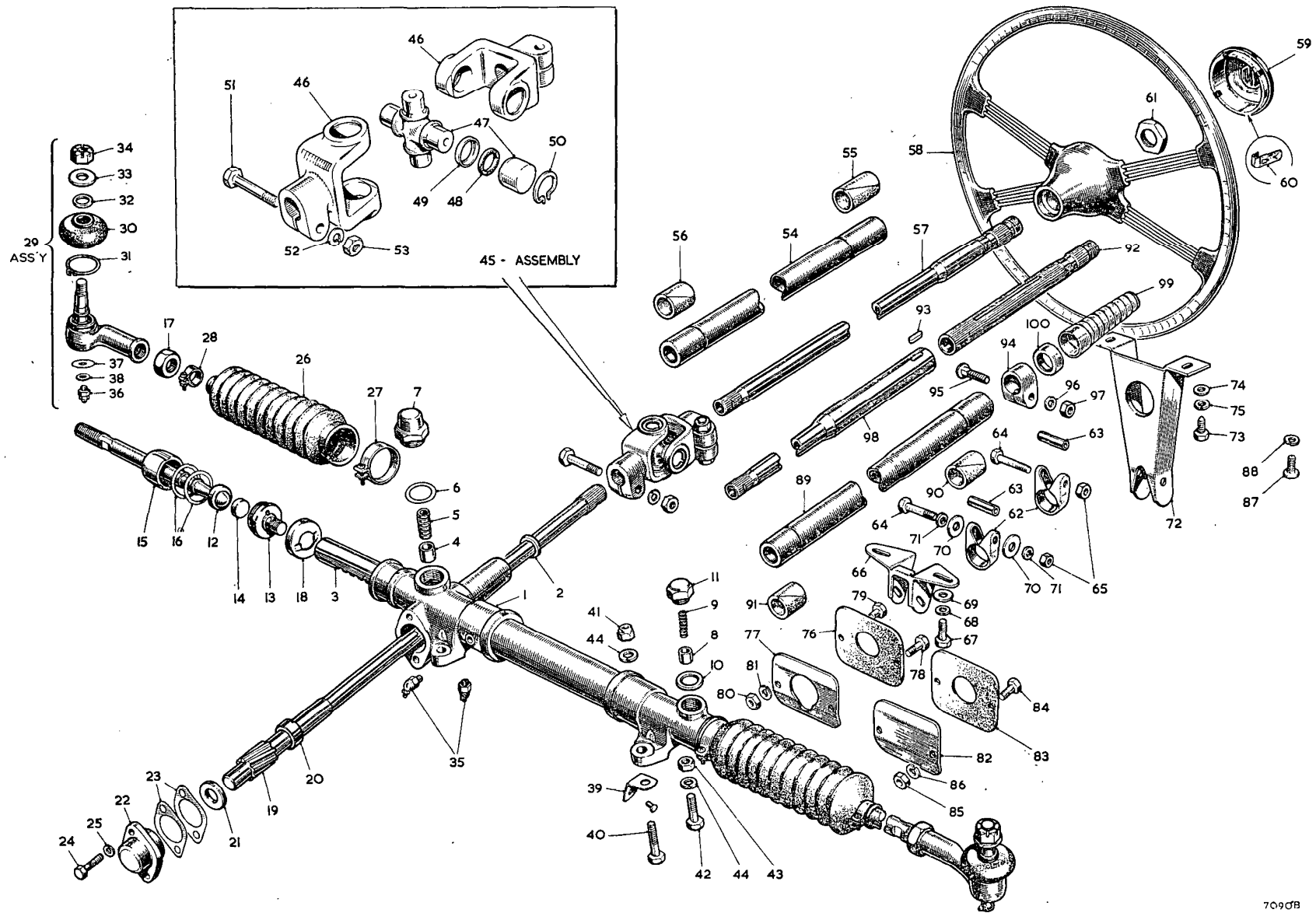
**THE M.G. Series MGA 1500**

Item No.	DESCRIPTION	Commencing (C) 10101		Qty. per Vehicle		Unit of Issue	Type of Vehicle	MODIFICATIONS			REMARKS
		Part Number	Illus. No.	RHD	LHD			New Part Number	Change Point	Amdt. No.	
	<b><u>STEERING</u></b>										
1	Steering rack, pinion, and tie-rod assembly	AHH6001		1							
2	Steering rack, pinion, and tie-rod assembly	AHH6002			1						
3	Housing assembly—rack	AHH6013	J1	1							
4	Housing assembly—rack	AHH6016			1						
5	Seal for pinion shaft	126922	J2	1	1						
6	Rack—steering	AHH6020	J3	1	1						
7	Pad for rack damper	ACA5244	J4	1	1	12					
8	Spring for rack damper	ACA5248	J5	1	1	6					
9	Shim for pad housing	ACA5249	J6	A/R	A/R						
10	Housing for rack damper	ACA5245	J7	1	1						
11	Pad for rack damper secondary	ACA5284	J8	1	1	6					
12	Spring for rack damper secondary	ACA5286	J9	1	1						
13	Washer for rack damper secondary	ACA5283	J10	1	1						
14	Housing for rack damper secondary	ACA5285	J11	1	1						
15	Rod—tie	AHH6019	J12	2	2						
16	Housing—male ball	ACA6031	J13	2	2						
17	Seat—ball	ACA5246	J14	2	2						
18	Housing—female ball	ACA5304	J15	2	2						
19	Shim for ball housing (.003")	ACA5301	J16	A/R	A/R						
20	Shim for ball housing (.005")	ACA5302		A/R	A/R						
21	Locknut for tie-rod	AJB6025	J17	2	2						
22	Lock washer for tie-rod	ACA5247	J18	2	2	12					
23	Pinion—steering	AHH6021	J19	1							
24	Pinion—steering	AHH6022			1						
25	Washer—thrust—for upper pinion	130795	J20	1	1						
26	Washer—thrust—for lower pinion	126926	J21	1	1						
27	Bearing for pinion tail	AHH6023	J22	1	1						
28	Shim for tail bearing (.005")	126920	J23	A/R	A/R						
29	Shim for tail bearing (.007")	126921		A/R	A/R						
30	Screw for bearing to steering-box	HZS0506	J24	2	2						
31	Washer for bearing screw (spring)	LWZ205	J25	2	2	24					
32	Seal for rack	130801	J26	2	2						
33	Clip assembly for seal (large)	ACA6030	J27	2	2						
34	Clip assembly for seal (small)	ACA5118	J28	2	2						

**SERVICE PARTS LIST**

**THE M.G. Series MGA 1500**

Item No.	DESCRIPTION	Commencing (C) 10101		Qty. per Vehicle		Unit of Issue	Type of Vehicle	MODIFICATIONS			REMARKS
		Part Number	Illus. No.	RHD	LHD			New Part Number	Change Point	Amdt. No.	
1	<b>Steering—continued</b> <b>Socket assembly—ball</b>	<b>ACH6168</b>	<b>J29</b>	<b>2</b>	<b>2</b>						<b>Supply also 1 off ACH6170 washer, 1 off ACH6173 washer</b>
2	Boot (rubber)	7H3571	J30	2	2						
3	Clip for boot	7H3565	J31	2	2						
4	Ring for boot clip	ACA6004	J32	2	2						
5	Washer for ball socket	PWZ107	J33	2	2						
6	Nut for ball socket	FNZ407	J34	2	2						
7	Lubricator for rack	UHN205	J35	1	1						
8	Lubricator for pinion	UHN205	J35	1							
9	Lubricator for pinion	UHN105			1						
10	Lubricator for ball socket	UHN405		2	2						
11	Washer for lubricator		J36	2	2						
12	Washer for lubricator (fibre)		J37	2	2			ACH6170	] Com. (C) 53875 (L.H.D.), (C) 55545 (R.H.D.)		
13	Shim for steering rack to brackets	AHH6007	J38	2	2	12		ACH6173			
14	Bolt for rack to bracket—front	HBZ0509	J39	A/R	A/R						Maximum 6 off per car
15	Nut for rack to bracket bolt (nylon)	LNZ205	J40	2	2						
16	Screw for rack to bracket—rear	HZS0508	J41	2	2						
17	Nut for rack to bracket—rear bolt	FNZ105	J42	2	2						
18	Washer for rack to bracket (spring)	LWZ205	J43	2	2						
19	<b>Universal joint—steering-column</b>	<b>AHH6000</b>	<b>J44</b>	<b>4</b>	<b>4</b>	<b>24</b>					
20	End yoke	17H3925	J45	1	1						
21	Spider unit assembly	17H3873	J46	2	2						
22	Joint for journal	17H3874	J47	1	1						
23	Retainer for joint	17H3874	J48	4	4						
24	Circlip	17H3875	J49	4	4						
25	Bolt for universal joint	17H3811	J50	4	4						
26	Washer for bolt	17H3839	J51	2	2						
27	Nut for bolt	17H3841	J52	2	2						
28	<b>Steering-column assembly</b>	<b>AHH6011</b>	<b>J53</b>	<b>2</b>	<b>2</b>						
29	Tube—outer	AHH6025	J54	1	1						
30	Bush for upper end—felt	7H6255	J55	1	1						
31	Bush for lower end—felt	AHH6027	J56	1	1						
32	Tube assembly—inner	AHH6028	J57	1	1						



709DB



**SERVICE PARTS LIST**

**THE M.G. Series MGA 1500**

Item No.	DESCRIPTION	Commencing (C) 10101		Qty. per Vehicle		Unit of Issue	Type of Vehicle	MODIFICATIONS			REMARKS
		Part Number	Illus. No.	RHD	LHD			New Part Number	Change Point	Amdt. No.	
	<b>Steering—continued</b>										
1	<b>Wheel—steering</b>	<b>AHH6003</b>	<b>J58</b>	<b>1</b>	<b>1</b>						
2	Cover for steering-wheel	AHH6004	J59	1	1						
3	Spring clip for cover	AHH6035	J60	4	4						
4	Nut for steering-wheel	ACH6001	J61	1	1						
5	Clamp for steering-column	AHH6005	J62	2	2						
6	Distance piece for clamp	AHH6006	J63	2	2						
7	Bolt for clamp	HBZ0518	J64	2	2						
8	Nut for clamp bolt	FNZ105	J65	2	2						
9	Bracket—lower—for steering-column	AHH6008	J66	1	1						
10	Screw for bracket to frame	HZS0506	J67	2	2						
11	Washer for bracket to frame bolt (spring)	LWZ205	J68	2	2	24					
12	Washer for bracket to frame bolt (plain)	PWZ205	J69	2	2						
13	Washer for lower bracket to clamp bolt (plain)	PWZ205	J70	2	2						
14	Washer for lower bracket to clamp bolt (spring)	LWZ205	J71	2	2	24					
15	Washer for lower bracket to clamp bolt (plain)	PWZ205	J70	2	2						
16	Washer for lower bracket to clamp bolt (spring)	LWZ205	J71	2	2	24					
17	Bracket—upper—for steering-column	AHH6030	J72	1	1						
18	Screw for bracket to body rail	HPZ0505	J73	2	2						
19	Washer for screw (plain)	PWZ205	J74	2	2						
20	Washer for screw (spring)	LWZ205	J75	2	2	24					
21	Seal for column (rubber)	AHH6009	J76	1	1						
22	Retainer for column seal	AHH6010	J77	1	1						
23	Screw for seal and retainer to dash	HZS0505	J78	1	1						
24	Screw for seal and retainer to dash	HZS0506	J79	1	1						
25	Nut for screws	FNZ105	J80	2	2						
26	Washer for seal and retainer screws	LWZ205	J81	2	2	24					
27	Blanking plate	AHH6024	J82	1	1						
28	Seal—blanking	AHH6009	J83	1	1						
29	Screw for blanking plate and seal	HZS0505	J84	2	2						
30	Nut for screw	FNZ105	J85	2	2						
31	Washer for blanking plate and seal screw	LWZ205	J86	2	2	24					
32	Screw for steering-column bracket blanking holes	PMZ0508	J87	2	2						
33	Washer for screw (spring)	LWZ205	J88	2	2	24					

**SERVICE PARTS LIST**

**THE M.G. Series MGA 1500**

Item No.	DESCRIPTION	Commencing (C) 10101		Qty. per Vehicle		Unit of Issue	Type of Vehicle	MODIFICATIONS			REMARKS
		Part Number	Illus. No.	RHD	LHD			New Part Number	Change Point	Amdt. No.	
	<b>Steering—continued</b>										
1	<b>Steering-column assembly (adjustable)</b>	<b>AHH6012</b>		<b>1</b>	<b>1</b>						Optional extra
2	Tube—outer	AHH6031	J89	1	1						
3	Bush (felt)—top end	AHH6032	J90	1	1						
4	Bush (felt)—lower end	AHH6027	J91	1	1						
5	Top end—adjustable	ACC6042	J92	1	1						
6	Key for top end	47330	J93	1	1						
7	Clamp collar	47327	J94	1	1						
8	Bolt for clamp collar	AJC6014	J95	1	1						
9	Washer for clamp collar bolt	47325	J96	1	1						
10	Nut	FNP205	J97	1	1						
11	Tube assembly—inner	AHH6033	J98	1	1						
12	Spring cover	130463	J99	1	1						
13	Cup for spring cover	130462	J100	1	1						

