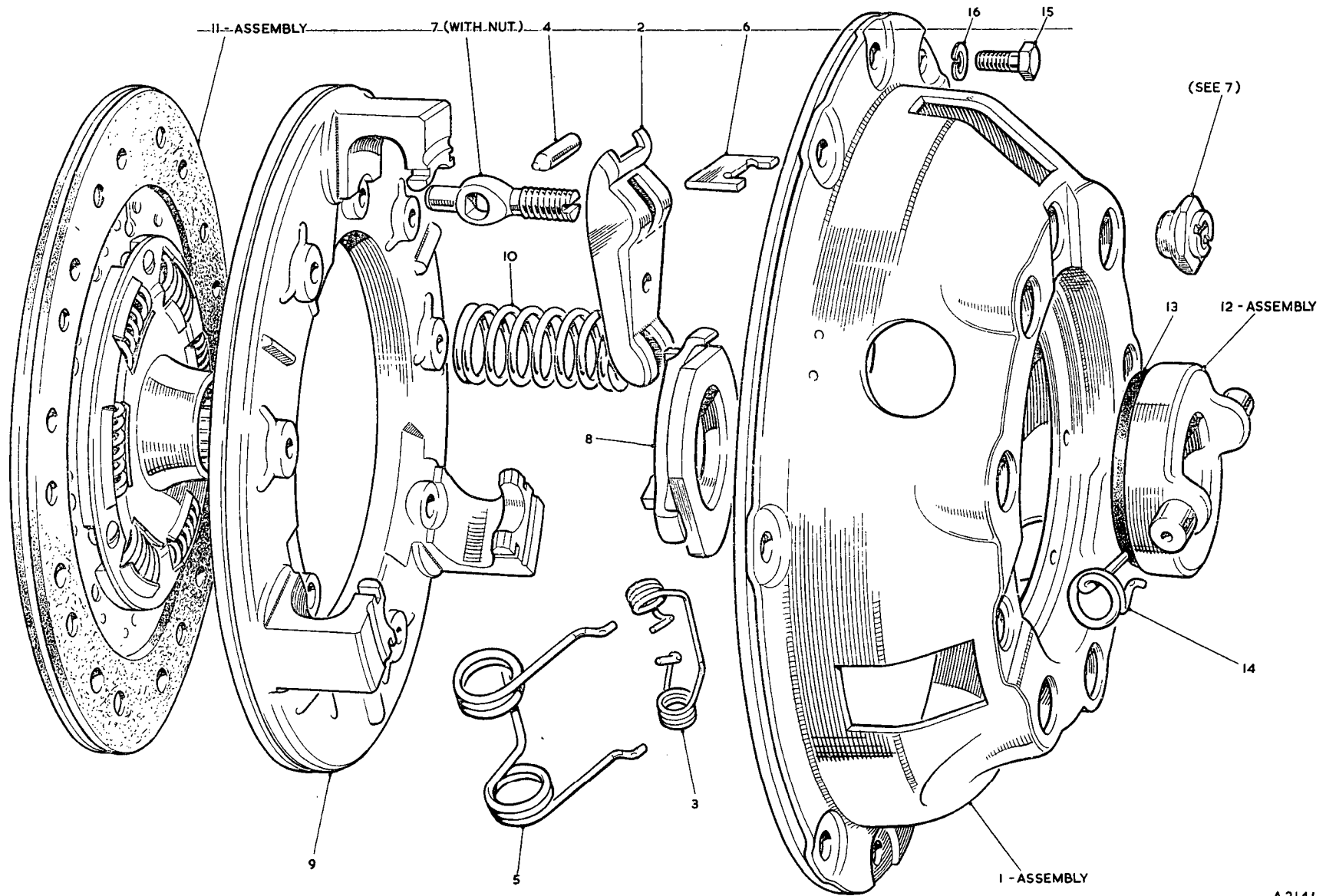


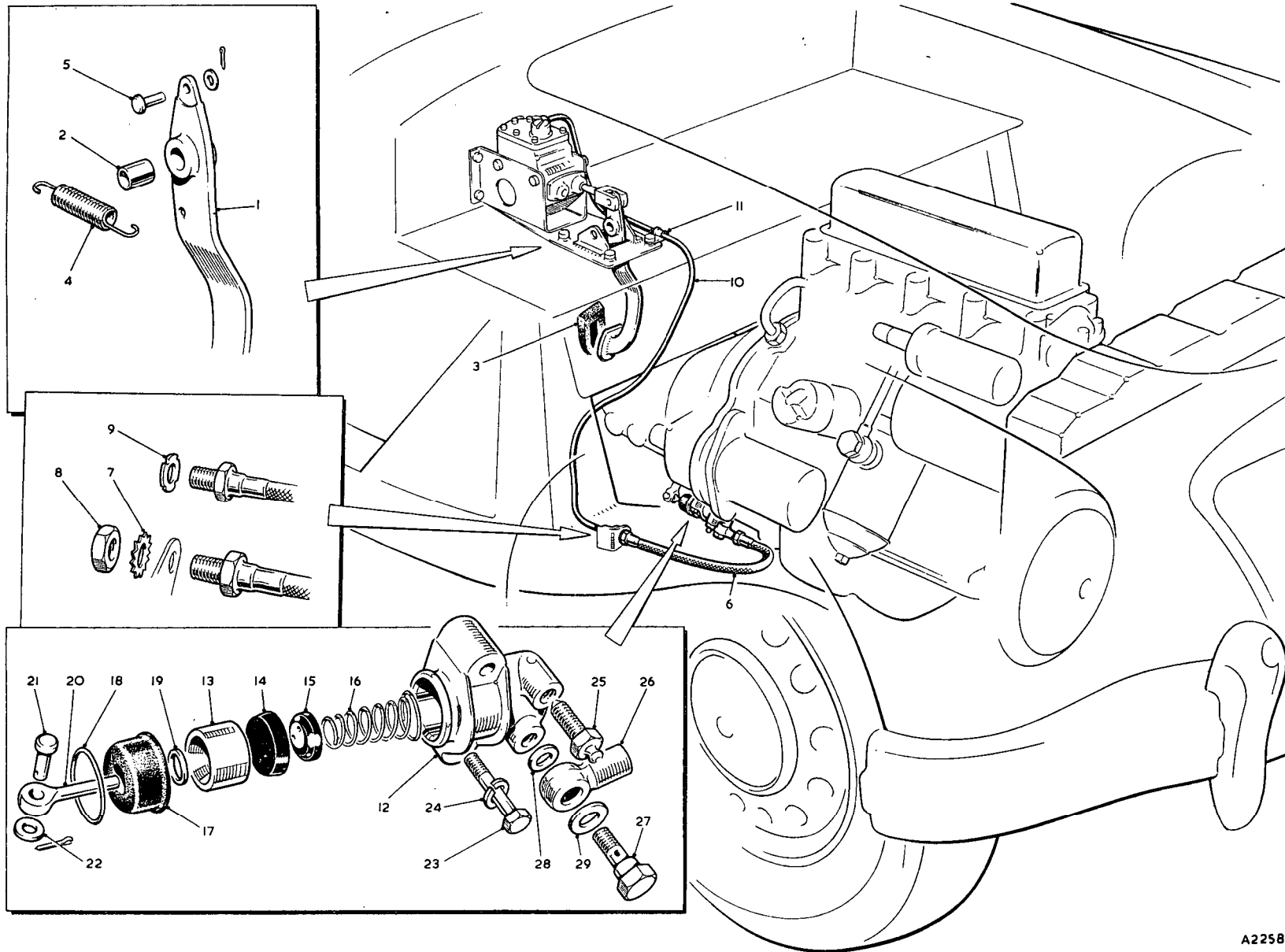
SERVICE PARTS LIST

THE M.G. Series MGA 1500

Item No.	DESCRIPTION	Commencing (E) GB101		Qty. per Vehicle		Unit of Issue	Type of Vehicle	MODIFICATIONS			REMARKS
		Part Number	Illus. No.	RHD	LHD			New Part Number	Change-Point	Amdt. No.	
	CLUTCH										
	CLUTCH COMPONENTS										
1	Clutch assembly	N.S.P.									
2	Cover assembly	7H3211	E1	1	1			27H3159	Com. (E) GB16226		
3	Lever release	7H3196	E2	3	3	12					
4	Retainer for release lever	7H3001	E3	3	3	72					
5	Pin for release lever	7H3067	E4	3	3	12					
6	Spring—anti-rattle	7H3171	E5	3	3	36					
7	Strut for release lever	7H3069	E6	3	3						
8	Eyebolt and nut	27H3157	E7	3	3						
9	Plate—release lever	7H3213	E8	1	1	12					
10	Plate—pressure	7H3085	E9	1	1						
11	Spring for pressure plate	3H2914	E10	6	6			1H1024	Com. (E) GB16225		
12	Plate—driven assembly (R)	7H3215	E11	1	1						
13	Lining and rivets	8G8348		1 set	1 set	1					
14	Rivet	7H3078		22	22						
15	Bearing assembly—release	7H3214	E12	1	1						
16	Ring—carbon	7H3277	E13	1	1						
17	Retainer for bearing	7H3048	E14	2	2	36					
18	Screw for clutch to flywheel	HZS0507	E15	6	6						
19	Washer for screw (spring)	2K5319	E16	6	6						



A 2141



A2258

SERVICE PARTS LIST

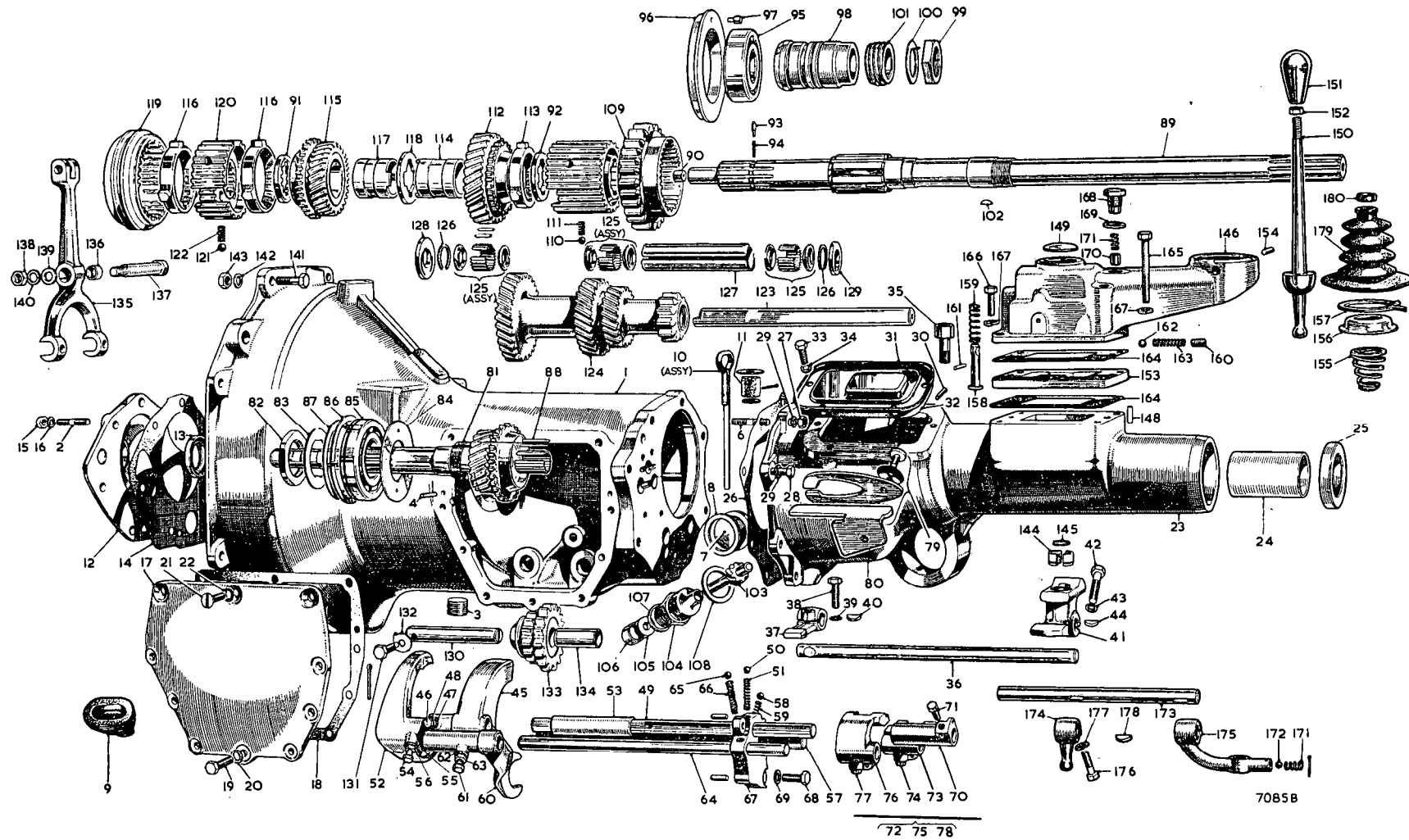
THE M.G. Series MGA 1500

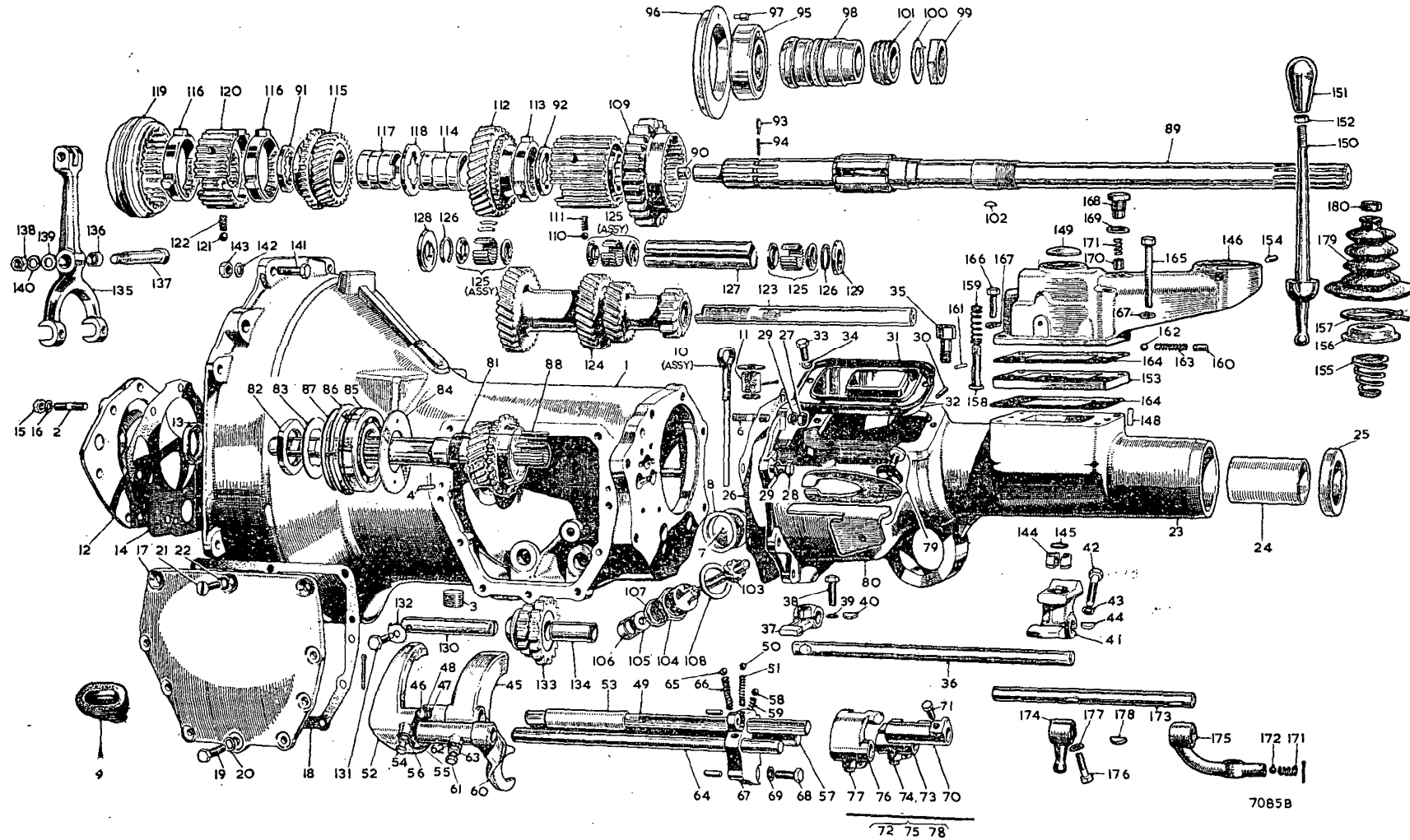
Item No.	DESCRIPTION	Commencing (C) 10101		Qty. per Vehicle		Unit of Issue	Type of Vehicle	MODIFICATIONS			REMARKS
		Part Number	Illus. No.	RHD	LHD			New Part Number	Change Point	Amdt. No.	
CLUTCH PEDAL AND LINKAGE											
1	Pedal—clutch	AHH5091	EA1	1				AHH5841	Com. (C) 61100		
2	Pedal—clutch	AHH5117			1			AHH5842	Com. (C) 58713		
3	Bush	185794	EA2	1	1						
4	Pad for pedal (rubber)	AHH5100	EA3	1	1						
5	Spring—pull-off—pedals	130154	EA4	2	2	6					
6	Clevis pin for clutch and brake pedals	CLZ0512	EA5	2	2						
7	Hose for clutch	7H7857	EA6	1	1						
8	Washer for hose	LWN710	EA7	1	1						
9	Locknut for hose	2K8686	EA8	1	1						
10	Joint for clutch hose	3H550	EA9	1	1						
11	Pipe for master cylinder to clutch hose	AJD276	EA10	1							
12	Pipe for master cylinder to clutch hose	AJD118			1						
13	Clip for clutch pipe	PCR0411	EA11	1	1						
14	Clip for clutch pipe to bulkhead	CHR0409			2						
CLUTCH OPERATING CYLINDER											
15	Cylinder assembly	ACH5457		1	1			7H7974] Com. (C) 11768		
16	Body	7H7955	EA12	1	1			7H7983			
17	Piston	7H7003	EA13	1	1						
18	Cup for piston	7H7004	EA14	1	1						
19	Filler for piston cup	7H7560	EA15	1	1						
20	Spring for cup filler	7H7959	EA16	1	1						
21	Boot	7H7957	EA17	1	1						
22	Clip for boot (large)	7H7956	EA18	1	1						
23	Clip for boot (small)	7H7958	EA19	1	1						
24	Push-rod	7H7954	EA20	1	1						
25	Clevis pin—slave cylinder to clutch fork	CLZ0517	EA21	1	1						
26	Washer for clevis pin (plain)	PWZ105	EA22	1	1						
27	Bolt for slave cylinder to gearbox	HBZ0615	EA23	2	2			ACH8483	Com. (C) 21513		
28	Washer for bolt (spring)	LWZ206	EA24	2	2						
29	Bleeder screw	3H554	EA25	1	1						
30	Banjo for slave cylinder	3H544	EA26	1	1						
31	Bolt for banjo to slave cylinder	3H547	EA27	1	1] Fin. (C) 11767		
32	Joint for banjo	7H7456	EA28	1	1						
33	Joint for banjo	3H550	EA29	1	1						

SERVICE PARTS LIST

THE M.G. Series MGA 1500

Item No.	DESCRIPTION	Commencing (E) GB101		Qty. per Vehicle		Unit of Issue	Type of Vehicle	MODIFICATIONS			REMARKS
		Part Number	Illus. No.	RHD	LHD			New Part Number	Change Point	Amdt. No.	
	<u>GEAR BOX</u>										
1	Gearbox assembly	1H3140		1	1			1H3167 1H3362 48G100	Com. (G) A101 Com. (E) GD101 Com. (G) A916		
2	Casing—gearbox	48G32	F1	1	1			48G127 53K2172 2K5380	Com. (E) GD101 Com. (G) A916e Com. (E) GD101		Prior to (G) A916 always use 48G109
3	Stud—front cover	52K485	F2	7	7						
4	Plug—drain	6K499	F3	1	1						
5	Dowel—sliding shaft locating block	AEG3108	F4	2	2						
6	Welch plug	2K8158		1	1						
7	Stud—gearbox extension	52K487	F6	1	1						
8	Stud—gearbox extension			2	2			CHS2513	Fin. (G) A915 Com. (G) A916		
9	Plug—blanking	8G500	F7	2	2						
10	Joint washer—blanking plug	2K4971	F8	2	2						
11	Dust cover—clutch withdrawal lever	1G3667	F9	1	1						
12	Dipstick	1G3802	F10	1	1						
13	Felt	1G3804	F11	1	1						
14	Cover—front	1G3642	F12	1	1			11G3197 1H3147 1H3138	Com. (G) A4378 Com. (G) A8011		
15	Cover assembly—front			1	1						
16	Oil seal		F13	1	1						
17	Joint for front cover	1G3666	F14	1	1	12					
18	Nut for front cover studs	FNZ105	F15	7	7						
19	Washer for front cover studs (spring)	2K5319	F16	7	7			LWZ305	Com. (G) A916		
20	Cover—side	1G3656	F17	1	1						
21	Joint for side cover	1G3658	F18	1	1	12					
22	Set screw for side cover	52K2037	F19	7	7			53K147	Com. (G) A916 Fin. (G) A915		
23	Washer for side cover screw (spring)	2K5319	F20	7	7						
24	Washer for side cover screw (spring)			6	6			LWZ305	Com. (G) A916		
25	Countersunk screw—side cover	52K1226	F21	3	3			53K162			
26	Washer for countersunk screw (shakeproof)	6K9012	F22	3	3						
27	Washer for side cover (fibre)			1	1			2K4958 PWZ105	Com. (G) A916		
28	Washer for side cover (plain)			1	1						
29	Extension—gearbox	1H3084	F23	1	1			1H3149 1H3273	Com. (G) A101 Com. (E) GD101 Fin. (E) GB51767		
30	Bush	1G3418	F24	1	1			6K529	Com. (E) GD101		
31	Bearing—rear extension			1	1			1H3339	Com. (G) A101		
32	Oil seal assembly	11G3147	F25	1	1	6		1H3275 CCN240	Com. (E) GD101		
33	Circlip for oil seal			1	1						
34	Joint for extension to gearbox	1G3712	F26	1	1	12					
35	Nut for gearbox extension stud	FNZ105	F27	2	2						
36	Set screw for gearbox extension	HBZ0509	F28	7	7						
37	Set screw for gearbox extension			6	6			H CZ0510	Fin. (G) A915 Com. (G) A916		
38	Washer for stud and set screws (spring)	LWZ205	F29	8	8	24		LWZ305			
39	Plug for gearbox extension (taper)	2K1356	F30	1	1	36					





SERVICE PARTS LIST

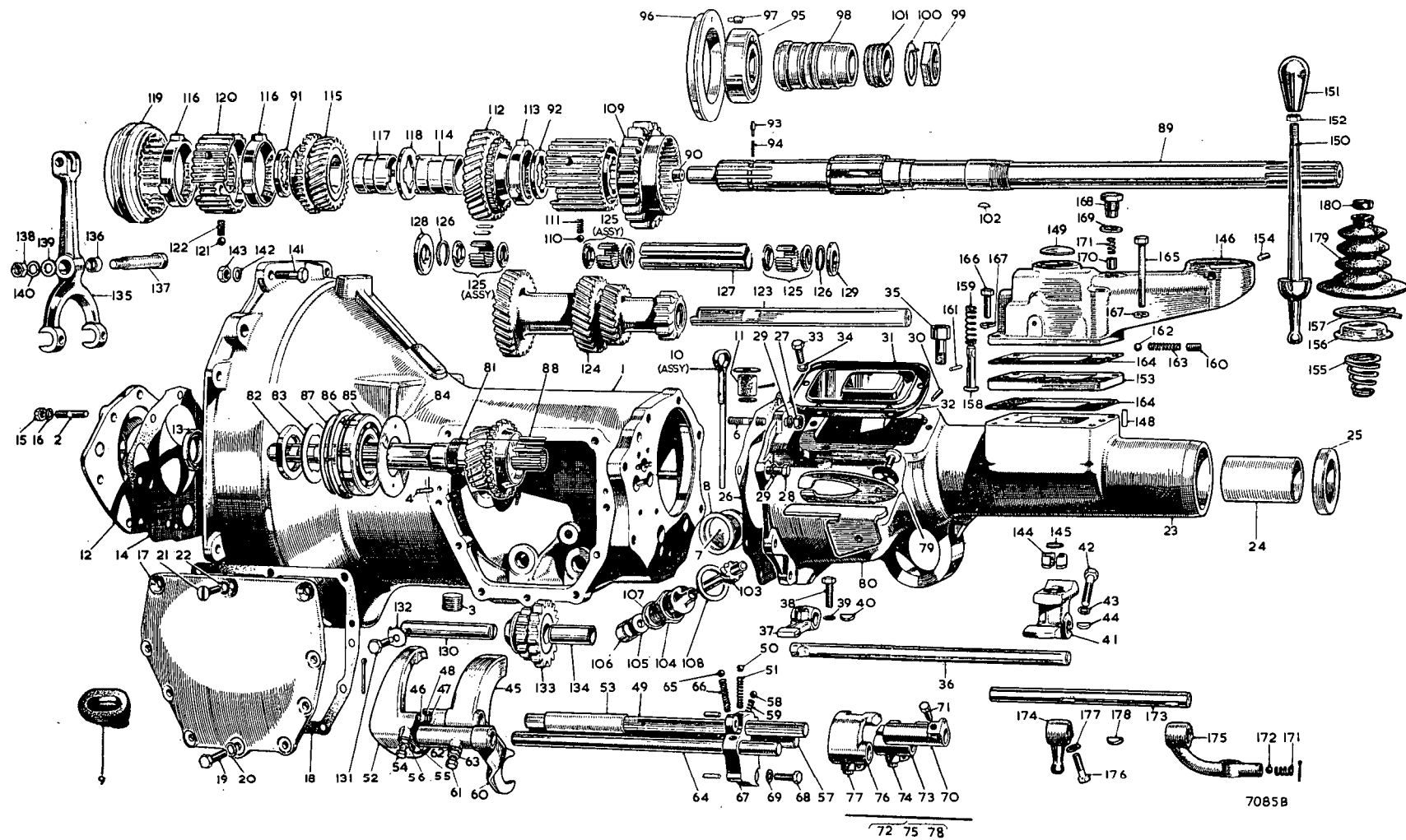
THE M.G. Series MGA 1500

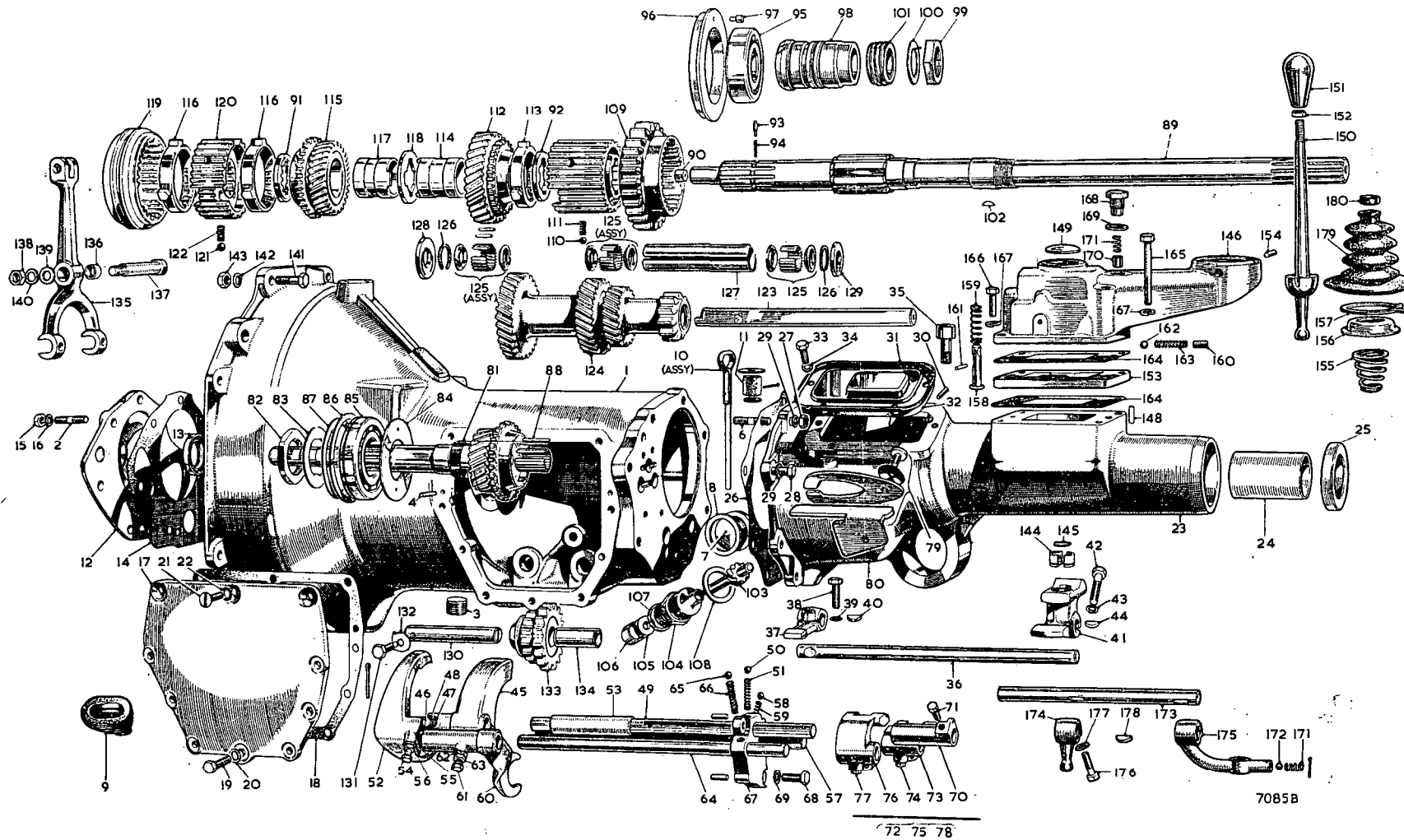
Item No.	DESCRIPTION	Commencing (E) GB101		Qty. per Vehicle		Unit of Issue	Type of Vehicle	MODIFICATIONS			REMARKS
		Part Number	Illus. No.	RHD	LHD			New Part Number	Change Point	Amdt. No.	
	Gearbox—continued										
1	Cover—extension side	1G3809	F31	1	1						
2	Joint for extension side cover	1G3810	F32	1	1	12					
3	Set screw for extension side cover	HZS0405	F33	6	6						
4	Washer for set screw (spring)	LWN204	F34	6	6			LWZ304] Com. (E) GD101		
5	Breather assembly	1G3668	F35	1	1			1H3364			
6	Shaft—remote control	1G3682	F36	1	1						
7	Lever—selector—front	1G3680	F37	1	1						
8	Set screw for front lever	51K1030	F38	1	1						
9	Washer for set screw (spring)	LWN604	F39	1	1						
10	Key for selector lever	WKN404	F40	1	1						
11	Lever—selector—rear	1H3095	F41	1	1						
12	Set screw for rear lever	51K1031	F42	1	1						
13	Washer for set screw (spring)	2K5319	F43	1	1			LWZ305	Com. (G) A916		
14	Key for selector lever	WKN404	F44	1	1						
15	Fork—1st and 2nd speed	1G3691	F45	1	1			11G3135	Com. (G) A290		
16	Screw—fork locating	2A3141	F46	1	1						
17	Lock washer—shakeproof	LWN604	F47	1	1						
18	Nut for screw	FNN504	F48	1	1						
19	Shaft—1st and 2nd speed fork	11G3079	F49	1	1			1H3134 11G3079	Com. (G) A828 Com. (G) A8011		
20	Ball—shaft	BLS110	F50	1	1	12					
21	Spring for ball	2K4909	F51	1	1	36					
22	Fork—3rd and 4th speed	1G3690	F52	1	1			1H3257 1H3258] Com. (G) A290		
23	Distance piece—3rd and 4th speed fork		F53	1	1						
24	Screw—fork locating	2A3141	F54	1	1						
25	Lock washer—shakeproof	LWN604	F55	1	1						
26	Nut for screw	FNN504	F56	1	1						
27	Shaft—3rd and 4th speed fork	1G3692	F57	1	1			11G3140	Com. (G) A290		
28	Ball—shaft	BLS110	F58	1	1	12					
29	Spring for ball	2K4909	F59	1	1	36					
30	Fork—reverse	11G3100	F60	1	1			11G3134	Com. (G) A290		
31	Screw—fork locating	2A3141	F61	1	1						
32	Lock washer—shakeproof	LWN604	F62	1	1						
33	Nut for screw	FNN504	F63	1	1						
34	Shaft—reverse fork	11G3080	F64	1	1			11G3137 1H3133 11G3137	Com. (G) A290 Com. (G) A828 Com. (G) A8011		
35	Ball—shaft	BLS110	F65	1	1	12					
36	Spring for ball	2K4909	F66	1	1	36					
37	Block—shaft locating	1G3685	F67	1	1			11G3187	Com. (G) A916		
38	Set screw for block to casing	HNS0407	F68	2	2						
39	Washer for block screw (spring)	LWN204	F69	2	2			LWN304	Com. (E) GD101		

SERVICE PARTS LIST

THE M.G. Series MGA 1500

Item No.	DESCRIPTION	Commencing (E) GB101		Qty. per Vehicle		Unit of Issue	Type of Vehicle	MODIFICATIONS			REMARKS
		Part Number	Illus. No.	RHD	LHD			New Part Number	Change Point	Amdt. No.	
Gearbox—continued											
1	Selector—1st and 2nd gear	1G3686	F70	1	1			11G3132	Com. (G) A290		
2	Screw for selector locating	1G3708	F71	1	1						
3	Wire for selector locking	2K7420	F72	1	1						
4	Selector—3rd and 4th gear	1G3687	F73	1	1			11G3133	Com. (G) A290		
5	Screw for selector locating	1G3708	F74	1	1						
6	Wire for selector locking	2K7420	F75	1	1						
7	Selector—reverse gear	1G3688	F76	1	1			11G3131	Com. (G) A290		
8	Screw for reverse gear selector	1G3708	F77	1	1						
9	Wire for selector locking	2K7420	F78	1	1						
10	Interlock arm complete	1H3092	F79	1	1						
11	Support plate for interlock arm	1H3093	F80	1	1						
12	Shaft—1st motion	1G3611	F81	1	1						
13	Nut for shaft	1G3584	F82	1	1						
14	Lock washer for nut	1A3717	F83	1	1	24					
15	Baffle—oil		F84	1	1			1H3139	Com. (G) A1861		
16	Bearing—ball—for shaft	6K885	F85	1	1			97H512	Fin. (G) MA8010		
								6K885	Com. (G) A1861		
									Fin. (G) MA8010		
									Com. (G) MA8011		
17	Spring ring for bearing	6K886	F86	1	1						
18	Shim for bearing	6K907	F87	A/R	A/R						
19	Shim for bearing	6K908		A/R	A/R						
20	Rollers—needle—for shaft	6K892	F88	18	18	36					
21	Shaft—3rd motion	11G3035	F89	1	1			11G3221	Com. (G) A101		
								1H3277	Com. (E) GD101		
22	Restrictor—oil	1A1964	F90	1	1						
23	Washer—thrust (.1565 to .1575")—front	11G3127	F91	A/R	A/R						
24	Washer—thrust (.1585 to .1595")—front	11G3128		A/R	A/R						
25	Washer—thrust (.1605 to .1615")—front	11G3129		A/R	A/R						
26	Washer—thrust—rear	1G3492	F92	1	1						
27	Peg for thrust washer—front	1G3268	F93	1	1	12					
28	Spring for peg	2K8960	F94	1	1						
29	Bearing—rear for 3rd motion shaft	6K528	F95	1	1						
30	Housing—bearing	1G3586	F96	1	1						
31	Peg—locating	1G3530	F97	1	1						
32	Distance piece—speedometer gear	1G3639	F98	1	1			11G3223	Com. (G) A101		
33	Distance piece assembly—speedometer gear to rear bearing			1	1			AEH3242	Com. (E) GD101		
34	Flange—3rd motion shaft			1	1			1H3304			
35	Nut for shaft and speedometer gear	1G3613	F99	1	1			11G3225	Com. (G) A101		
				1	1			FNZ612	Com. (E) GD101		
				1	1			11G3226	Com. (G) A101		
36	Lock washer	1G3612	F100	1	1			LWZ212	Com. (E) GD101		
				1	1			1H3151	Com. (G) A101		
37	Gear—speedometer drive	11G3039	F101	1	1						
38	Key for gear	WKN304	F102	1	1						
39	Pinion for speedometer drive	11G3042	F103	1	1			1H3241	Com. (G) A5120		Always use 1H3241
40	Bush for pinion	2A3256	F104	1	1						
41	Oil seal for pinion	2A3254	F105	1	1	12					
42	Ring for oil seal retaining	2A3255	F106	1	1						
43	Joint washer for bush	11G3084	F107	1	1						
44	Joint for bush to rear cover	51K3169	F108	1	1						





SERVICE PARTS LIST

THE M.G. Series MGA 1500

Item No.	DESCRIPTION	Commencing (E) GB101		Qty. per Vehicle		Unit of Issue	Type of Vehicle	MODIFICATIONS			REMARKS
		Part Number	Illus. No.	RHD	LHD			New Part Number	Change Point	Amdt. No.	
	Gearbox—continued										
1	Gear and synchronizer assembly—1st speed	48G137	F109	1	1						
2	Ball for synchronizer	BLS109	F110	3	3	12					
3	Spring for synchronizer ball	6K884	F111	3	3						
4	Gear—2nd speed	11G3064	F112	1	1						
5	Baulk ring for 2nd speed gear	11G3063	F113	1	1						
6	Bush for 2nd speed gear	11G3028	F114	1	1						
7	Gear—3rd speed	1G3594	F115	1	1						
8	Baulk ring for 3rd and 4th gear	11G3022	F116	2	2						
9	Bush for 3rd speed gear	11G3029	F117	1	1						
10	Ring—interlocking—2nd and 3rd bushes	1G3331	F118	1	1						
11	Coupling—sliding—3rd and 4th speed	1G3598	F119	1	1						
12	Synchronizer for 3rd and 4th speed	1G3597	F120	1	1						
13	Ball for synchronizer	BLS109	F121	3	3	12					
14	Spring for synchronizer ball	6K884	F122	3	3						
15	Layshaft	11G3030	F123	1	1						
16	Layshaft	11G3123		1	1						
								1H3305	Fin. (E) GB51767 Com. (E) GD101		Alternatives
17	Gear unit for layshaft	11G3024	F124	1	1						
18	Bearing—needle-roller—for layshaft	3H2865	F125	3	3						
19	Spring ring for needle rollers	11G3027	F126	4	4						
20	Distance piece for bearing	11G3026	F127	1	1						
21	Washer—thrust—front	1G3576	F128	A/R	A/R						
22	Washer—thrust—rear	1G3577	F129	A/R	A/R						
23	Washer—thrust—rear	1G3578		A/R	A/R						
24	Washer—thrust—rear	1G3579		A/R	A/R						
25	Washer—thrust—rear	1G3580		A/R	A/R						
26	Shaft—reverse	11G3093	F130	1	1						
27	Shaft—reverse	11G3124		1	1						Alternatives
28	Washer (spring)	LWZ305		6	6						
29	Screw—locking—for shaft	1G3581	F131	1	1						
30	Lock washer for screw	1B3363	F132	1	1						
31	Gear—reverse	11G3090	F133	1	1						
32	Bush	11G3092	F134	1	1						
33	Lever assembly—clutch withdrawal	1G3653	F135	1	1						
34	Bush for lever	1G3582	F136	1	1			11G3193			
35	Bolt for lever	11G3145	F137	1	1			11G3196	Com. (E) 4525		
36	Locknut for bolt	FNZ206	F138	1	1			LNZ206			
37	Washer for locknut		F139	1	1			11G3199			
38	Washer for locknut (spring)	2K5863	F140	1	1	144					
39	Bolt for gearbox to mounting plate	HBZ0510	F141	6	6						
40	Washer for bolt (spring)	LWZ105	F142	6	6	24					
41	Nuts for mounting plate bolts	FNZ505	F143	6	6						
42	Bush for rear selector lever	1G3704	F144	1	1						
43	Circlip for lever bush	1G3709	F145	1	1						

SERVICE PARTS LIST

THE M.G. Series MGA 1500

Item No.	DESCRIPTION	Commencing (E) GB101		Qty. per Vehicle		Unit of Issue	Type of Vehicle	MODIFICATIONS			REMARKS
		Part Number	Illus. No.	RHD	LHD			New Part Number	Change Point	Amdt. No.	
	Gearbox—continued										
1	Remote control	AEG3001		1	1						
2	Tower—remote control	AEG3117	F146	1	1						
3	Bush for remote control tower	AEG3119		1	1						
4	Dowel for remote control tower	AEG3101	F148	2	2						
5	Core plug for tower	CA1056	F149	1	1						
6	Lever—change speed	AEG3112	F150	1	1						
7	Knob for change speed lever	1G3706	F151	1	1						
8	Locknut for change speed lever knob	FNP205	F152	1	1						
9	Stop plate	AEG3118	F153	1	1						
10	Snug for change speed ball	AEG3106	F154	2	2						
11	Spring for change speed lever	AEG3105	F155	1	1						
12	Cover for ball spring	1G3927	F156	1	1						
13	Circlip for ball spring cover	1H3087	F157	1	1						
14	Plunger for reverse selector	AEG3120	F158	1	1						
15	Spring for reverse plunger	1G3863	F159	1	1						
16	Plug for reverse plunger	2K6534	F160	1	1						
17	Dowel for reverse plunger	1G3713	F161	1	1						
18	Ball for reverse plunger	BLS110	F162	1	1	12					
19	Spring for reverse plunger detent	2K4909	F163	1	1	36					
20	Joint for control tower	1G3711	F164	2	2	12					
21	Bolt for tower (long)	HBN0509	F165	2	2						
22	Bolt for tower (short)	HBN0522	F166	2	2						
23	Washer for bolts (spring)	2K5319	F167	4	4						
24	Plug for ball retaining—box cover	AEG3113	F168	1	1						
25	Washer for plug	AEG3122	F169	1	1						
26	Plunger	AEG3124	F170	1	1						
27	Spring for plunger	AEG3123	F171	2	2						
28	Ball for selector lever	BLS108	F172	1	1	144					
29	Shaft—remote control	AEG3114	F173	1	1						
30	Lever—front—selector	AEG3115	F174	1	1						
31	Lever—rear—selector	AEG3116	F175	1	1						
32	Set screw for front and rear lever	HZS0407	F176	2	2						
33	Washer for set screw (spring)	LWZ204	F177	2	2						
34	Key for remote control shaft	JA5732	F178	2	2						
35	Draught excluder for gear lever (rubber)	14A1468	F179	1	1						
36	Ring for draught excluder to lever	AHH5388	F180	1	1						

NCS0509
HCN0522] Com. (G) A9864

