

.AO355F

**SERVICE PARTS LIST**

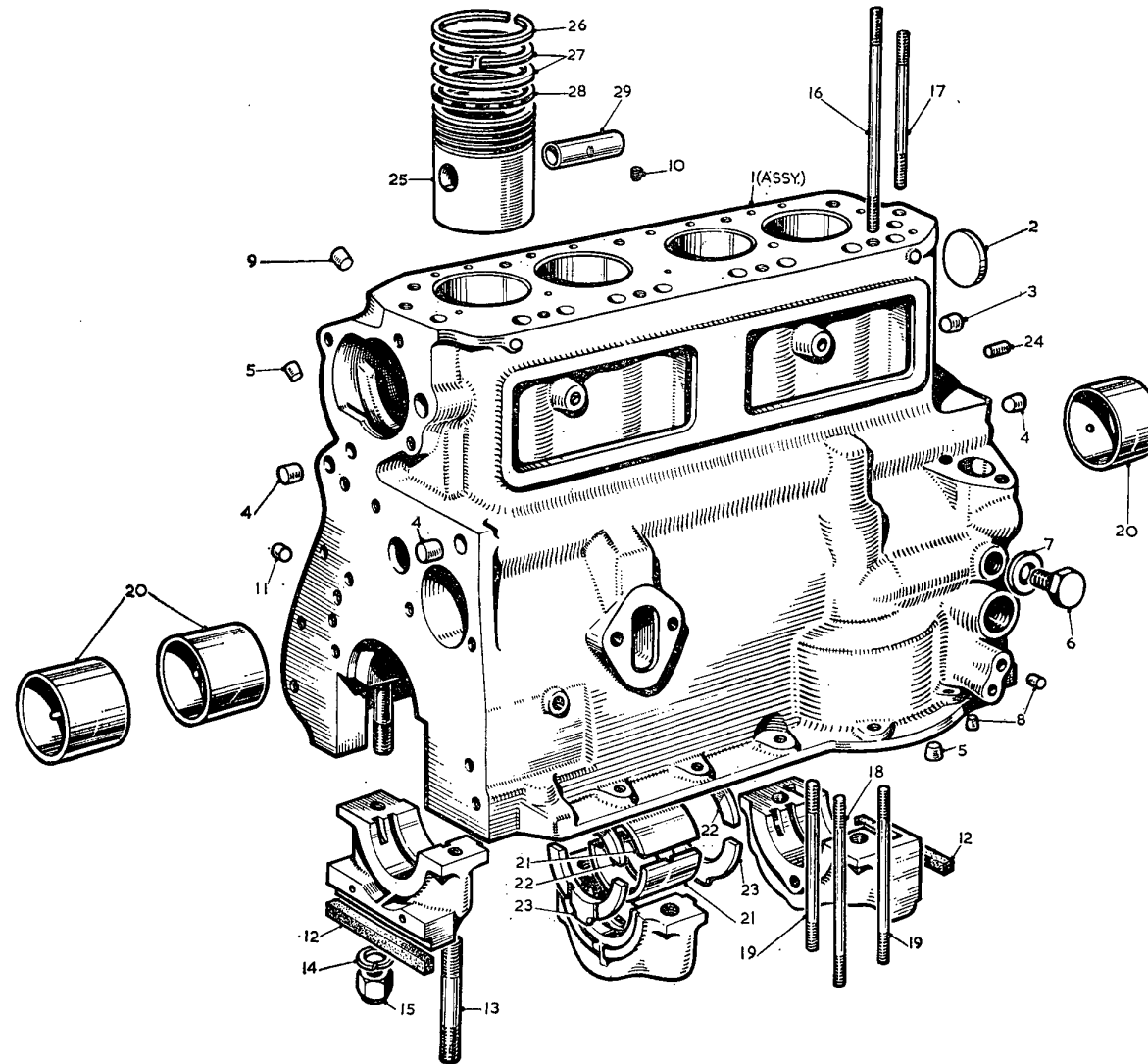
**THE M.G. Series MGA 1500**

Item No.	DESCRIPTION	Commencing (E) GB101		Qty. per Vehicle		Unit of Issue	Type of Vehicle	MODIFICATIONS			REMARKS
		Part Number	Illus. No.	RHD	LHD			New Part Number	Change Point	Amdt. No.	
	<b>ENGINE</b>										
	<b>ENGINE UNIT</b>										
1	Stripped engine unit .....	8G207		1	1			8G210 48G165	] Com. (E) GB259 Com. (E) GD101		
2	Short block assembly .....	48G39		1	1			48G166			
3	Cylinder block and piston assembly .....	48G44	A1	1	1			48G38	Com. (E) GB259		When supplying 48G39 prior to (E) GB259 always supply in addition 1 off each 11G93 cover, 11G95 washer, 11G96 plate, 11G97 washer, 11G136 plate, 11G203 gear, 17H343 tensioner, and AEC339 joint When supplying 48G38 prior to (E) GB46342 always supply in addition 1 off 51K889 stud and 2 off 51K890 stud
								48G151	Com. (E) GD101		
4	Plug—welch (large) .....	2K8169	A2	4	4						
5	Plug—crankcase oil gallery .....	1H813	A3	1	1						
6	Plug—crankcase oil gallery .....	2K8623	A4	3	3						
7	Plug—crankcase oil hole (taper) .....	6K874	A5	2	2						
8	Plug—transverse oil hole (screwed) .....	2K4992	A6	1	1						
9	Washer for plug .....	6K638	A7	1	1	12					
10	Plug—oil relief valve vent holes .....	6K899	A8	2	2						
11	Plug—oil hole—oil filter boss .....	11G14	A9	1	1						
12	Plug—redundant dipper rod boss and rear main bearing cap .....	2K4608	A10	2	2	12					
13	Plug—redundant dipper rod boss .....			1	1			2K4608	Fin. (E) GB40104 Com. (E) GB40105		
14	Plug—chain tensioner oil feed .....		A11	1	1			11G14	Com. (E) GB259		
15	Joint for front and rear main bearing caps .....	1H353	A12	2	2	12					
16	Stud for main bearing cap .....	51K894	A13	6	6						
17	Washer (spring) main bearing cap stud .....	LWN208	A14	6	6						
18	Nut for main bearing stud .....	LNN208	A15	6	6						
19	Stud for cylinder head (long) .....	51K245	A16	4	4						
20	Stud for cylinder head (short) .....	51K246	A17	7	7						
21	Stud for oil pump (long) .....	51K889	A18	1	1						
22	Stud for oil pump (short) .....	51K890	A19	2	2				] Fin. (E) GB46044 except 46101 to 46341 Com. (E) GB46045 to 46100, then 46342 on		
23	Stud for oil pump .....			3	3			51K267			
24	Liner for camshaft bearing .....	8G2176	A20	1 set	1 set	1					
25	Bearing—main (standard) .....	8G2081	A21	1 set	1 set	1		8G2175	Com. (E) GB3511		

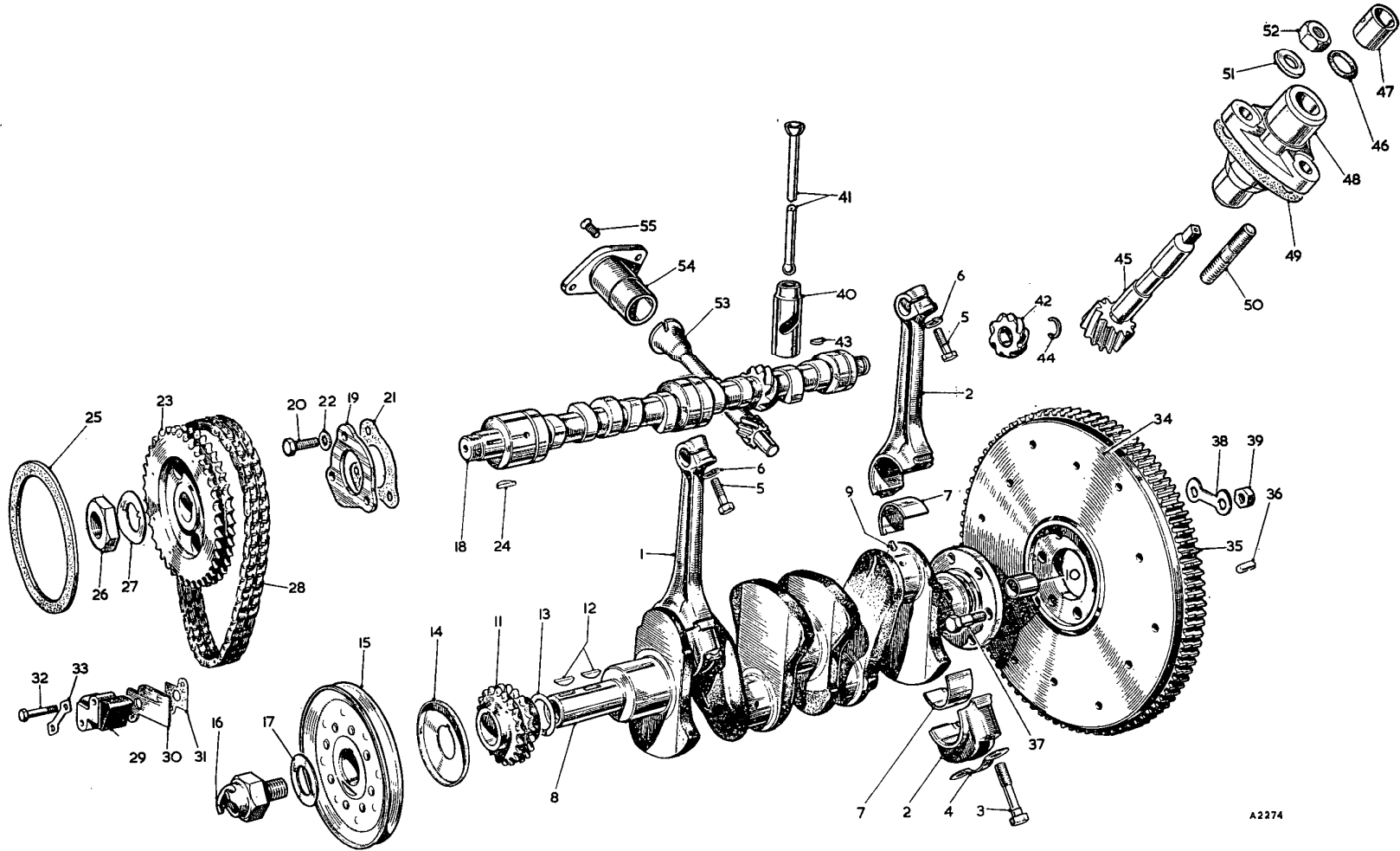
**SERVICE PARTS LIST**

**THE M.G. Series MGA 1500**

Item No.	DESCRIPTION	Commencing (E) GB101		Qty. per Vehicle		Unit of Issue	Type of Vehicle	MODIFICATIONS			REMARKS
		Part Number	Illus. No.	RHD	LHD			New Part Number	Change Point	Amdt. No.	
	<b>Engine Unit—continued</b>										
1	Washer—thrust (upper) .....	1G2331	A22	2	2	12					
2	Washer—thrust (lower) .....	1G2332	A23	2	2	12					
3	Dowel for gearbox mounting plate .....	1G752	A24	2	2						
4	<b>Piston assembly (standard)</b> .....	<b>1H749</b>	<b>A25</b>	<b>4</b>	<b>4</b>		<b>1H849</b> <b>1H1087</b> <b>1H1118</b> <b>1H1142</b>	<b>Com. (E) GB5682</b> <b>Com. (E) GB27909</b> <b>Com. (E) GB38484</b> <b>Com. (E) GB40825</b>			<b>Prior to (E) GB40825 1H1142 is interchangeable in sets only. Rings 1H1144 and 1H1145 must not be fitted</b>
5	Ring—compression (top) .....	1H751	A26	4	4		1H851 1H1088 1H1144	Com. (E) GB5682 Com. (E) GB27909			
6	Ring—compression (taper) .....	1H752	A27	8	8	8	1H1145	] Com. (E) GB40825			
7	Ring—scraper .....	1H711	A28	4	4		1H1146				
8	Pin—gudgeon .....	1H577	A29	4	4		1H1113	Com. (E) GB38484			



.AO355F



A2274

**SERVICE PARTS LIST**

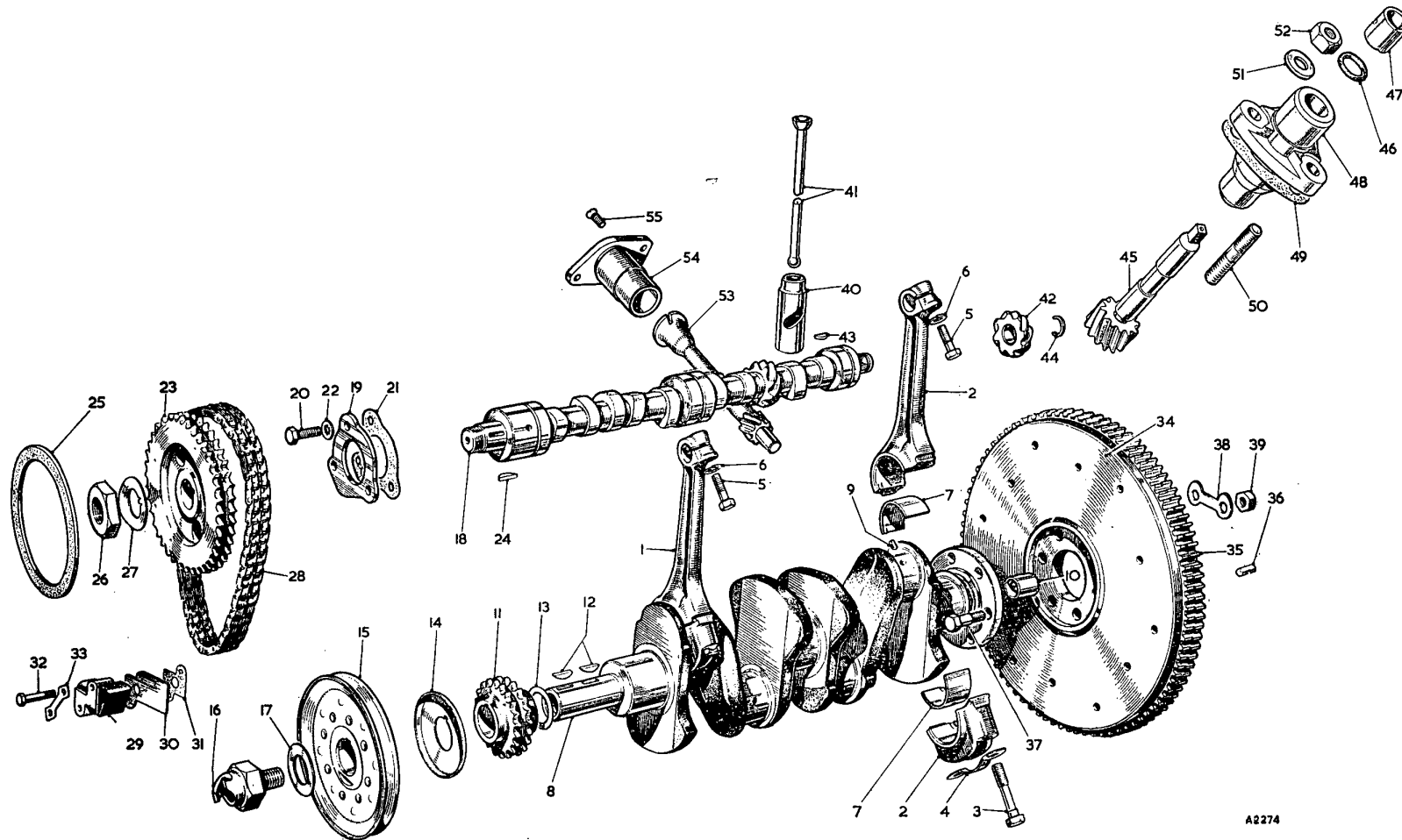
**THE M.G. Series MGA 1500**

Item No.	DESCRIPTION	Commencing (E) GB101		Qty. per Vehicle		Unit of Issue	Type of Vehicle	MODIFICATIONS			REMARKS
		Part Number	Illus. No.	RHD	LHD			New Part Number	Change Point	Amdt. No.	
<b>CONNECTING RODS—BEARINGS</b>											
1	Connecting rod and cap for Nos. 1 and 3 cylinders	1G2370	AA1	2	2			1H703	] Com. (E) GB8570		] Prior to (E) GB8570 supply in sets only
2	Connecting rod and cap for Nos. 2 and 4 cylinders	1G2367	AA2	2	2			1H701			
3	Screw for cap	51K1388	AA3	8	8						
4	Washer for screw (lock)	6K881	AA4	4	4						
5	Screw—gudgeon pin clamp	51K1382	AA5	4	4	12					
6	Washer for clamping screw (spring)	2K5319	AA6	4	4						
7	Bearing for connecting rod (standard)	8G2137	AA7	1 set	1 set	1		8G2285	Com. (E) GD6530		
<b>CRANKSHAFT—GEAR</b>											
8	Crankshaft with oil restrictor and bush	1H753	AA8	1	1						
9	Restrictor—oil	1G1167	AA9	4	4	12					
10	Bush for 1st motion shaft	1G765	AA10	1	1	12					
11	Gear—crankshaft	1A2028	AA11	1	1						
12	Key—crankshaft gear and pulley	2H326	AA12	2	2	12					
13	Washer for crankshaft gear (packing)	2K6633	AA13	A/R	A/R						
14	Oil thrower—crankshaft (front)	1A1546	AA14	1	1						
15	Pulley—crankshaft	11G81	AA15	1	1						
16	Nut—starting dog	1H765	AA16	1	1						
17	Washer for starting nut (lock)	1G1319	AA17	1	1						
<b>CAMSHAFT—GEAR</b>											
18	Camshaft	1H729	AA18	1	1						] Alternatives
19	Camshaft	1H1435		1	1						] Alternatives
20	Plate—camshaft locating	1A2032	AA19	1	1				Fin. (E) GB258		] Alternatives
21	Plate—camshaft locating	1G1361		1	1						
22	Screw—locating plate to crankcase	HNS0406	AA20	3	3			11G136	Com. (E) GB259		
23	Joint—camshaft locating plate	11G99	AA21	1	1				Fin. (E) GB258		
24	Washer for screw (shakeproof)	LWN604	AA22	3	3						
25	Gear—camshaft	1G2340	AA23	1	1			11G203	Com. (E) GB259		
26	Key for gear	WKN505	AA24	1	1						
27	Tensioner ring for gear	8G549	AA25	1	1	12			Fin. (E) GB258		
28	Nut for camshaft gear	6K629	AA26	1	1						
29	Washer for nut (lock)	2A759	AA27	1	1						
30	Chain—timing	2H4905	AA28	1	1						
31	Tensioner—chain (with Allen key)		AA29	1	1			17H343			
32	Backplate for tensioner		AA30	1	1			AJC5033			
33	Joint for tensioner		AA31	1	1	12		AEC339	] Com. (E) GB259		
34	Screw for tensioner		AA32	2	2			HBN0412			
35	Washer for screw (lock)		AA33	1	1			AEC340			

**SERVICE PARTS LIST**

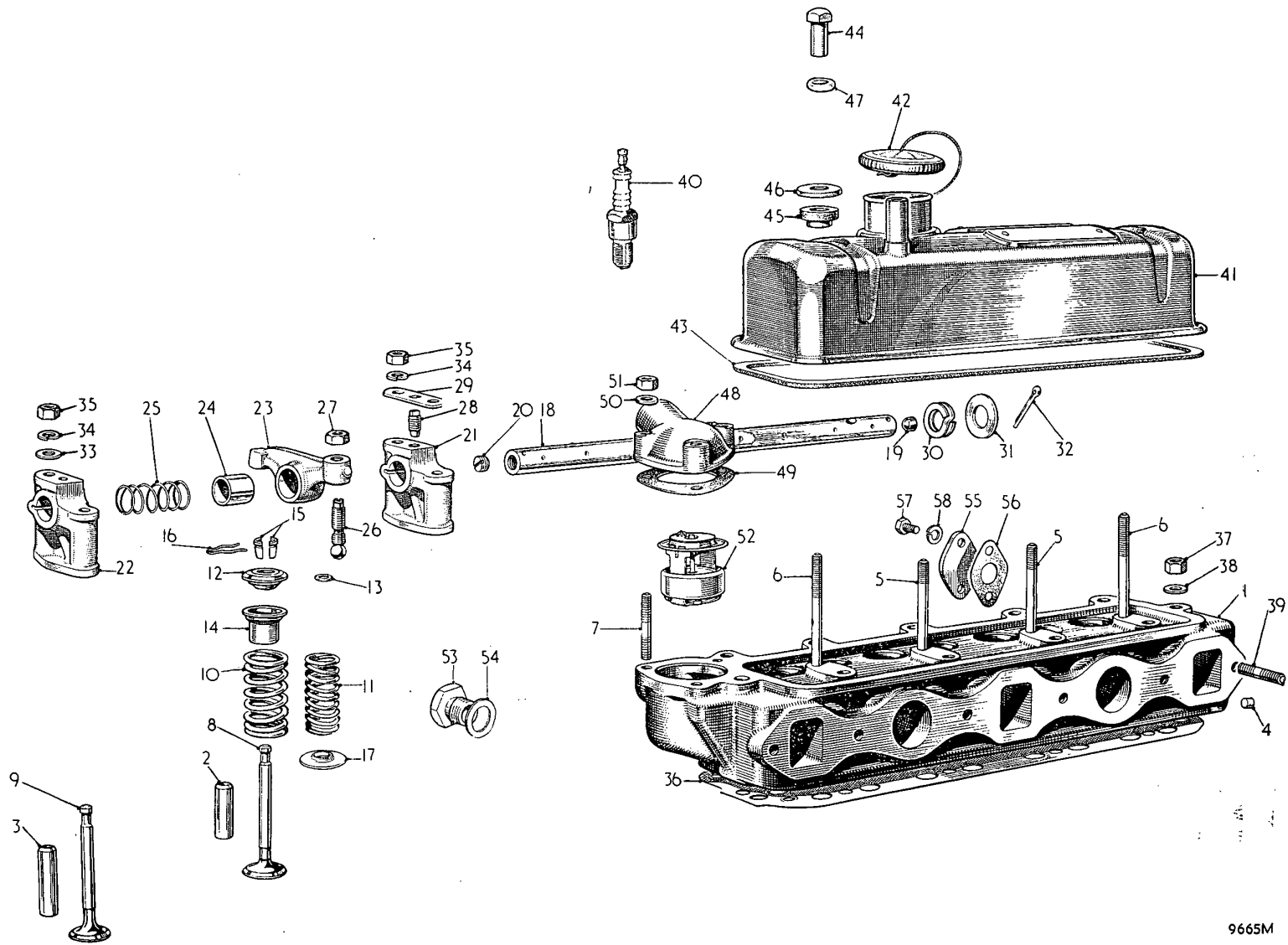
**THE M.G. Series MGA 1500**

Item No.	DESCRIPTION	Commencing (E) GB101		Qty. per Vehicle		Unit of Issue	Type of Vehicle	MODIFICATIONS			REMARKS
		Part Number	Illus. No.	RHD	LHD			New Part Number	Change Point	Amdt. No.	
	<b>FLYWHEEL</b>										
1	Flywheel with starter ring and dowels	1H651	AA34	1	1						
2	Ring—starter gear	1G2874	AA85	1	1						
3	Dowel—clutch to flywheel	1G2984	AA86	2	2						
4	Bolt—flywheel to crankshaft	51K1022	AA87	6	6						
5	Washer for bolt (lock)	6K26	AA88	3	3						
6	Nut for flywheel bolt	FNZ506	AA89	6	6						
	<b>TAPPETS AND PUSH-RODS</b>										
7	Tappet—valve	1H744	AA40	8	8			1H822	] Com. (E) GB5504		
8	Push-rod	1G2380	AA41	8	8			11G241			
	<b>TACHOMETER DRIVE</b>										
9	Gear for tachometer drive	1H730	AA42	1	1						
10	Key for gear	WKN304	AA43	1	1						
11	Spring ring for gear	1H605	AA44	1	1						
12	Pinion for tachometer drive	1H721	AA45	1	1						
13	Oil seal for pinion	1G2398	AA46	1	1						
14	Retaining ring	1G2399	AA47	1	1						
15	Housing for pinion	1H591	AA48	1	1						
16	Joint washer for housing	1G2401	AA49	1	1						
17	Stud for tachometer pinion housing	52K2171	AA50	2	2						
18	Washer for housing stud	PWZ105	AA51	2	2						
19	Nut for housing stud	FNZ105	AA52	2	2						
	<b>DISTRIBUTOR DRIVE SPINDLE</b>										
20	Spindle—distributor drive	2A189	AA53	1	1						] Alternatives
21	Spindle—distributor drive	2A847		1	1						
	<b>DISTRIBUTOR MOUNTING</b>										
22	Housing for distributor	1G2285	AA54	1	1						
23	Screw—housing to crankcase	52K1206	AA55	1	1						



A2274





9665M

**SERVICE PARTS LIST**

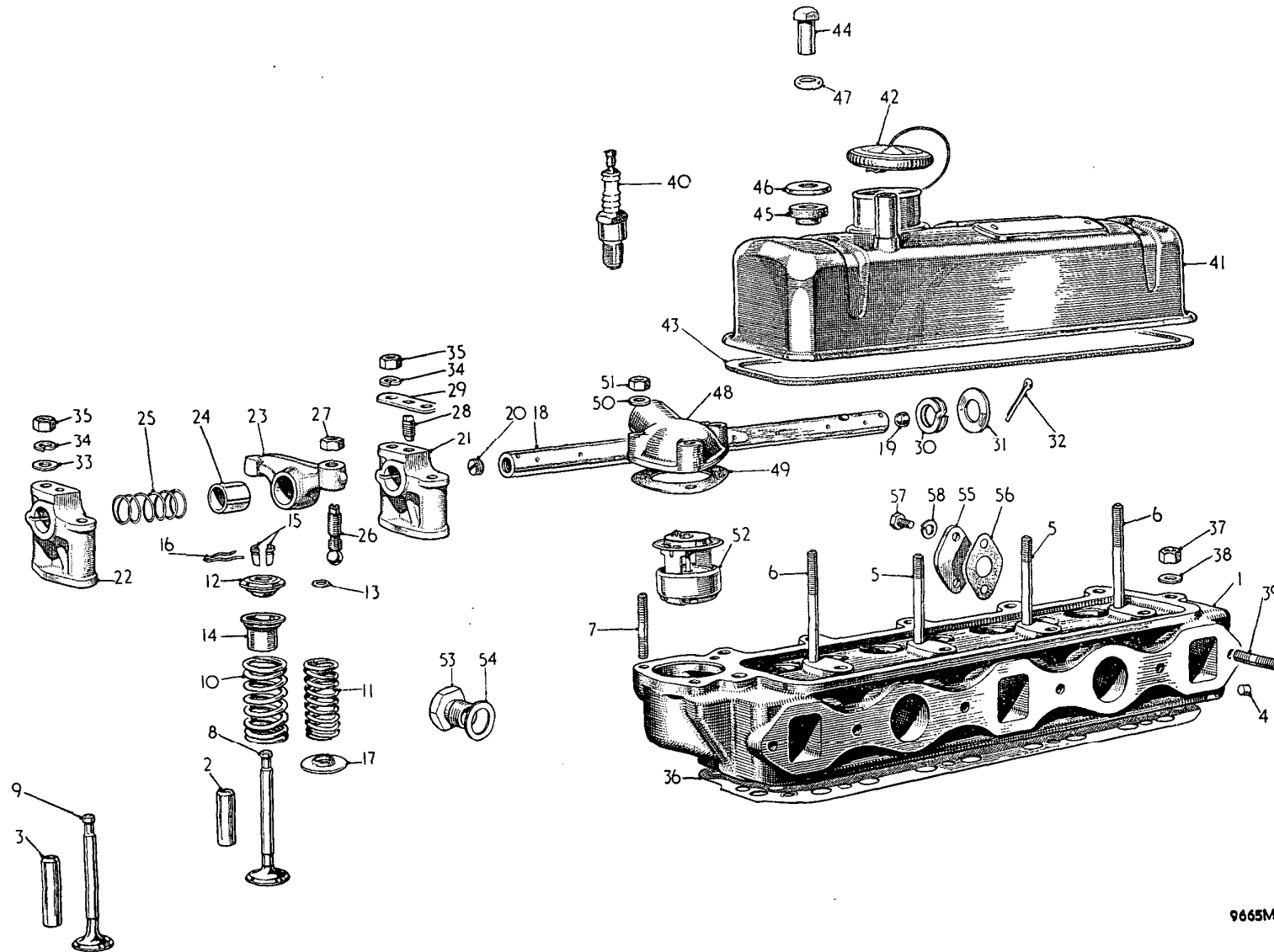
**THE M.G. Series MGA 1500**

Item No.	DESCRIPTION	Commencing (E) GB101		Qty. per Vehicle		Unit of Issue	Type of Vehicle	MODIFICATIONS			REMARKS
		Part Number	Illus. No.	RHD	LHD			New Part Number	Change Point	Amdt. No.	
	<b>CYLINDER HEAD—VALVES—GUIDES— SPRINGS—ROCKERS</b>										
1	Cylinder head assembly (less rocker gear)	48G31		1	1						
2	Cylinder head assembly (with valve guides)	1H1060	AB1	1	1						
3	Guide—inlet valve	1G2882	AB2	4	4	12		11G313	Com. (E) GB23175 except 23201 to 23447		
4	Guide—exhaust valve	11G198	AB3	4	4	12					
5	Plug for oil hole	6K872	AB4	1	1						
6	Stud for rocker bracket (short)	51K881	AB5	2	2						
7	Stud for rocker bracket (long)	51K893	AB6	2	2						
8	Stud for water outlet elbow	52K531	AB7	3	3						
9	<b>Valve—inlet</b>	1H1059	AB8	4	4	4					
10	<b>Valve—exhaust</b>	1H686	AB9	4	4	4					
11	Valve—exhaust (hard-faced)	1H1025		4	4						Alternative
12	Spring—valve—outer	1H722	AB10	8	8	8					
13	Spring—valve—inner	1H723	AB11	8	8	8					
14	Shroud and oil seal retainer—valve guide	1H725	AB12	8	8			1H1320	Com. (E) GD101		
15	Ring—valve packing	AEK113	AB13	8	8	144					
16	Cup—valve spring	1H724	AB14	8	8	12		1H1319	Com. (E) GD101		
17	Cotter—valve (halves)	1K800	AB15	16	16	26prs.					
18	Circlip for valve cotters	1K872	AB16	8	8	72					
19	Collar for valve spring (bottom)	1H726	AB17	8	8			1H1321	Com. (E) GD101		
20	<b>Shaft assembly—valve rocker</b>	1G2522		1	1						
21	<b>Shaft—valve rocker (plugged)</b>	11G62	AB18	1	1						
22	Plug—valve rocker shaft (plain)	6K878	AB19	1	1						
23	Plug—valve rocker shaft (screwed)	2K4608	AB20	1	1	12					
24	Bracket for rocker shaft (tapped)	11G218	AB21	1	1			1H1419	Com. (E) GB48911		
25	Bracket for rocker shaft (plain)	11G219	AB22	3	3			1H1420			
26	<b>Rocker for valve (bushed)</b>	11G45	AB23	8	8						
27	Bush for valve rocker	1G2295	AB24	1	1	12					
28	Spring—rocker spacing	6K871	AB25	3	3						
29	Screw—tappet adjusting	11G47	AB26	8	8						
30	Locknut—tappet adjusting screw	FNN605	AB27	8	8			51K1178	Com. (E) GB47901		
31	Screw for rocker shaft (locating)	2A258	AB28	1	1						
32	Plate—screw locking	2A259	AB29	1	1						
33	Washer for rocker shaft (spring)	1A2139	AB30	2	2						
34	Washer for rocker shaft (plain)	2K6804	AB31	2	2						
35	Split pin for rocker shaft	CPS0308	AB32	2	2						

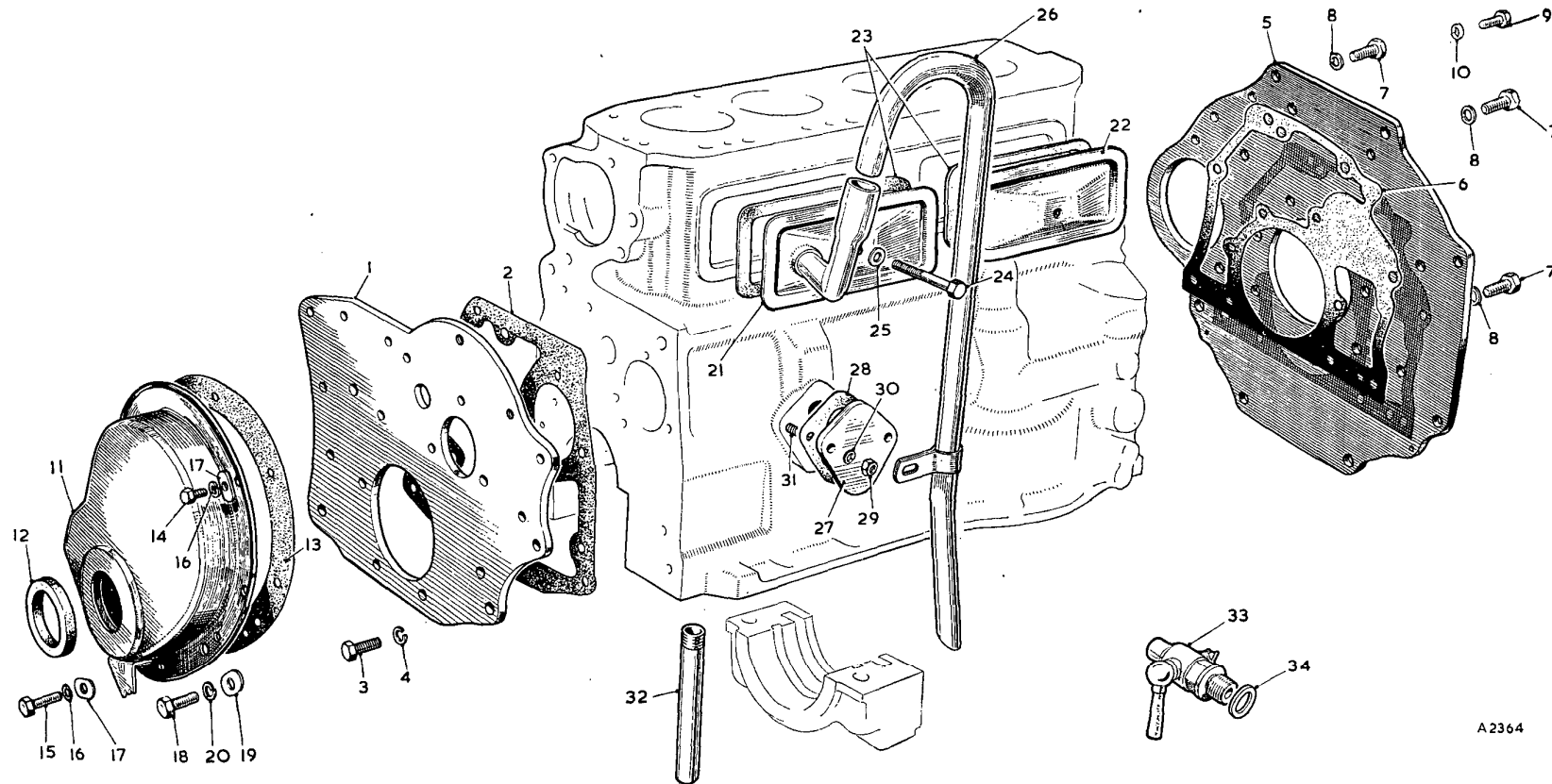
**SERVICE PARTS LIST**

**THE M.G. Series MGA 1500**

Item No.	DESCRIPTION	Commencing (E) GB101		Qty. per Vehicle		Unit of Issue	Type of Vehicle	MODIFICATIONS			REMARKS
		Part Number	Illus. No.	RHD	LHD			New Part Number	Change Point	Amdt. No.	
	<b>Cylinder Head—Valves—Guides—Springs—Rockers—continued</b>										
1	Washer for studs (plain)	PWN105	AB33	3	3	12					
2	Washer for studs (spring)	2K5319	AB34	4	4						
3	Nut for rocker bracket studs	FNN105	AB35	4	4						
4	Joint washer for cylinder head	1H1049	AB36	1	1						
5	Nut for cylinder head studs (in cylinder block)	53K371	AB37	11	11						
6	Washer for nut (plain)	PWN106	AB38	11	11						
7	Stud for exhaust manifold	FLS2513	AB39	2	2						
8	<b>Plug—sparking</b>	<b>3H2006</b>	<b>AB40</b>	<b>4</b>	<b>4</b>						
	<b>VALVE ROCKER COVER—OIL FILLER</b>										
9	<b>Cover—valve rocker (with filler cap)</b>	<b>1H573</b>	<b>AB41</b>	<b>1</b>	<b>1</b>						
10	Cap and cable for oil filler	8G612	AB42	1	1						
11	Joint washer for valve rocker cover	11G300	AB43	1	1	12	12H38	Com. (E) GD101			Alternatives
12	Joint washer for valve rocker cover	1H1329		1	1						
13	Nut for rocker cover (cap)	2A150	AB44	2	2						
14	Bush for cover (rubber)	2K8568	AB45	2	2	36					
15	Washer for cap nut (cup)	1A2156	AB46	2	2						
16	Distance piece for rocker cover stud	1B2925	AB47	2	2						
	<b>WATER OUTLET ELBOW—THERMOSTAT</b>										
17	<b>Elbow—water outlet</b>	<b>12H137</b>	<b>AB48</b>	<b>1</b>	<b>1</b>		<b>1H727</b>	<b>Com. (E) GB7538</b>			
18	Joint washer for elbow	12A109	AB49	1	1	12	1A2149 12A29	Com. (E) GD101			
19	Washer for stud	PWZ105	AB50	3	3						
20	Nut for stud	FNZ105	AB51	3	3						
21	<b>Thermostat</b>	<b>11G133</b>	<b>AB52</b>	<b>1</b>	<b>1</b>		<b>11G291</b>	<b>Com. (E) GB17538</b>			<b>Always use 11G291</b>
22	Joint—thermostat	1G1365		1	1			Fin. (E) GB17537			
23	Plug for thermal transmitter boss	1G2953	AB53	1	1						
24	Washer for plug	1B3664	AB54	1	1						
25	Plate—blanking—cylinder head side	1G1282	AB55	1	1						
26	Joint washer for blanking plate	1G2342	AB56	1	1	12					
27	Screw—blanking plate to cylinder head	HZS0404	AB57	2	2						
28	Washer for screw (spring)	LWN204	AB58	2	2		LWN304	Com. (E) GD101			



9665M



A2364

**SERVICE PARTS LIST**

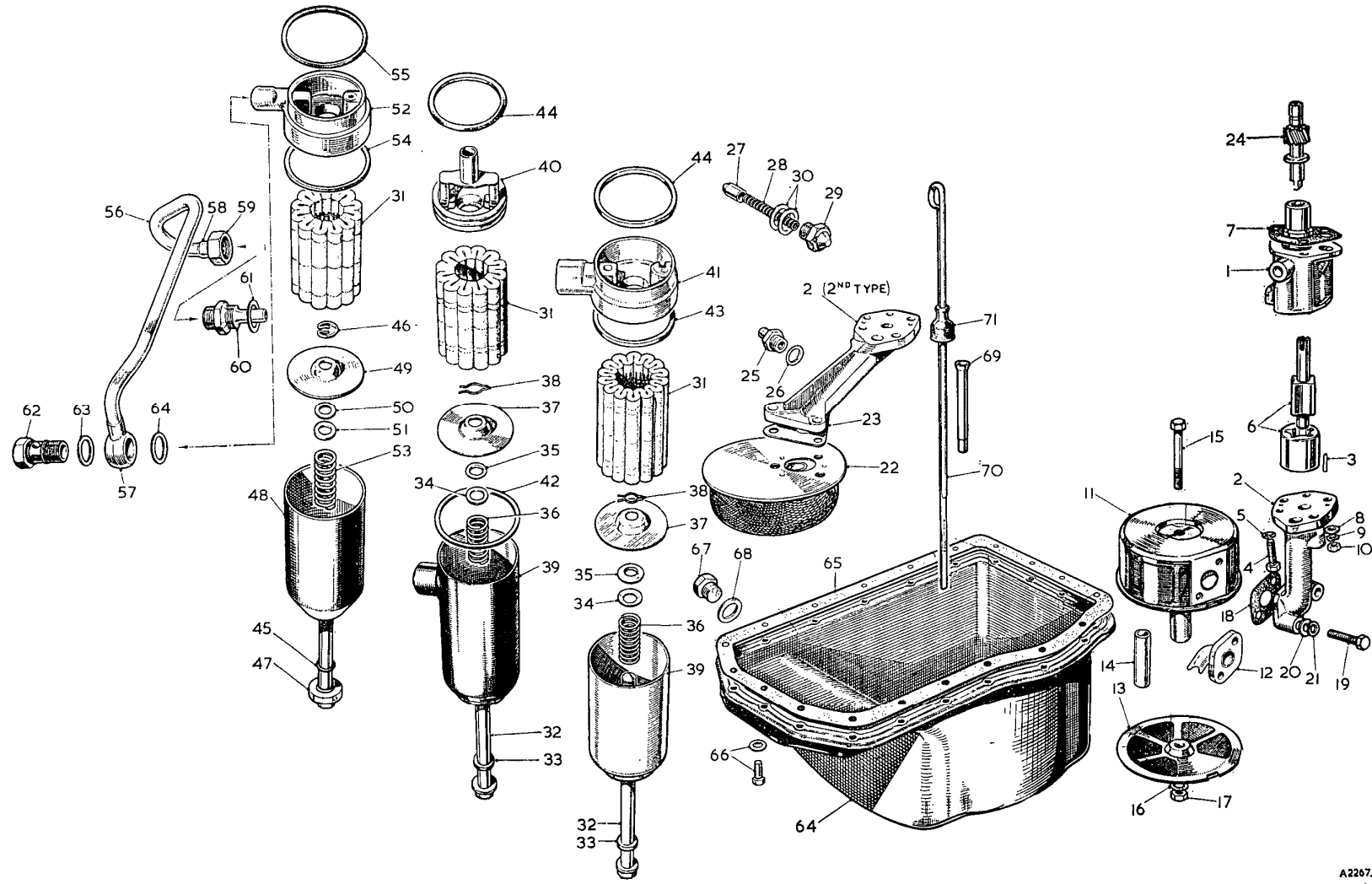
**THE M.G. Series MGA 1500**

Item No.	DESCRIPTION	Commencing (E) GB101		Qty. per Vehicle		Unit of Issue	Type of Vehicle	MODIFICATIONS			REMARKS
		Part Number	Illus. No.	RHD	LHD			New Part Number	Change Point	Amdt. No.	
<b>ENGINE MOUNTING PLATE</b>											
1	Plate—engine mounting (front)	1G2393	AC1	1	1			11G96	] Com. (E) GB259		
2	Joint—mounting plate to crankcase	1G2394	AC2	1	1	12		11G97			
3	Screw—mounting plate to crankcase	HZS0506	AC3	5/8	5/8						] Quantity reduced at (E) GB259
4	Washer for screw (spring)	2K5319	AC4	5/8	5/8						
5	Plate—engine mounting (rear)	1H770	AC5	1	1			1H821	Com. (E) GD101		
6	Joint—rear mounting plate	1G2425	AC6	1	1	12					
7	Screw—rear plate to crankcase	HZS0606	AC7	8	8						
8	Lock washer for screw	LWZ306	AC8	8	8						
9	Screw—rear plate to crankcase	HZS0506	AC9	4	4						
10	Lock washer for screw	LWZ305	AC10	4	4						
<b>CYLINDER FRONT AND SIDE COVERS</b>											
11	Cover—front (with oil catcher and felt)	2A552	AC11	1	1			11G93	Com. (E) GB259		
12	Ring—crankcase front cover (felt)	2K7140	AC12	1	1						
13	Joint—front cover to crankcase	1A2093	AC13	1	1	12		11G95	Com. (E) GB259		
14	Screw—cover to engine front plate	HZS0403	AC14	3	3						
15	Screw—cover to main bearing cap	HZS0406	AC15	2	2						
16	Washer for screw (spring)	LWN204	AC16	5	5						
17	Washer for screw (plain)	2K5197	AC17	5	5	24					
18	Screw—cover to crankcase	HZS0506	AC18	4	4						
19	Washer for screw	2K7440	AC19	4	4						
20	Washer for screw (spring)	LWN205	AC20	4	4						
21	Cover—cylinder side (with elbow)	1H771	AC21	1	1			1H873	Com. (E) GB35809		
22	Cover—cylinder side	1A2198	AC22	1	1			2A770	Com. (E) GB11935		
23	Joint for side covers	1A2203	AC23	2	2	12					
24	Screw for side cover	HBZ0513	AC24	2	2						
25	Washer for screw	2K4958	AC25	2	2	36					
26	Pipe—crankcase vent (with clip)	1H774	AC26	1	1			1H871	Com. (E) GB35809		
27	Distance piece—vent pipe clip to crankcase			1	1			1H840	] Com. (E) GD101		
28	Screw—vent pipe to crankcase			2	2			HZS0506			
29	Washer for screw spring			2	2			LWZ305			
30	Plate—blanking—petrol pump facing	1G2443	AC27	1	1				] Fin. (E) GB51767		
31	Joint for petrol pump blanking plate	1G2444	AC28	1	1	12					
32	Nut for blanking plate stud	FNZ105	AC29	2	2						
33	Washer for stud (spring)	LWN105	AC30	2	2						
34	Stud—L/H-side crankcase blanking plate	53K249	AC31	2	2			53K257	Com. (E) GB707 Fin. (E) GB51767		
<b>DRAIN TAP—DRAIN PIPE</b>											
35	Pipe—drain (in rear bearing cap)	1K141	AC32	1	1				Fin. (E) GB40104		
36	Tap—water drain	3H576	AC33	1	1						
37	Washer for drain tap	2K4954	AC34	1	1	36					
38	Washer for drain tap	2K4975		1	1						] Alternatives

**SERVICE PARTS LIST**

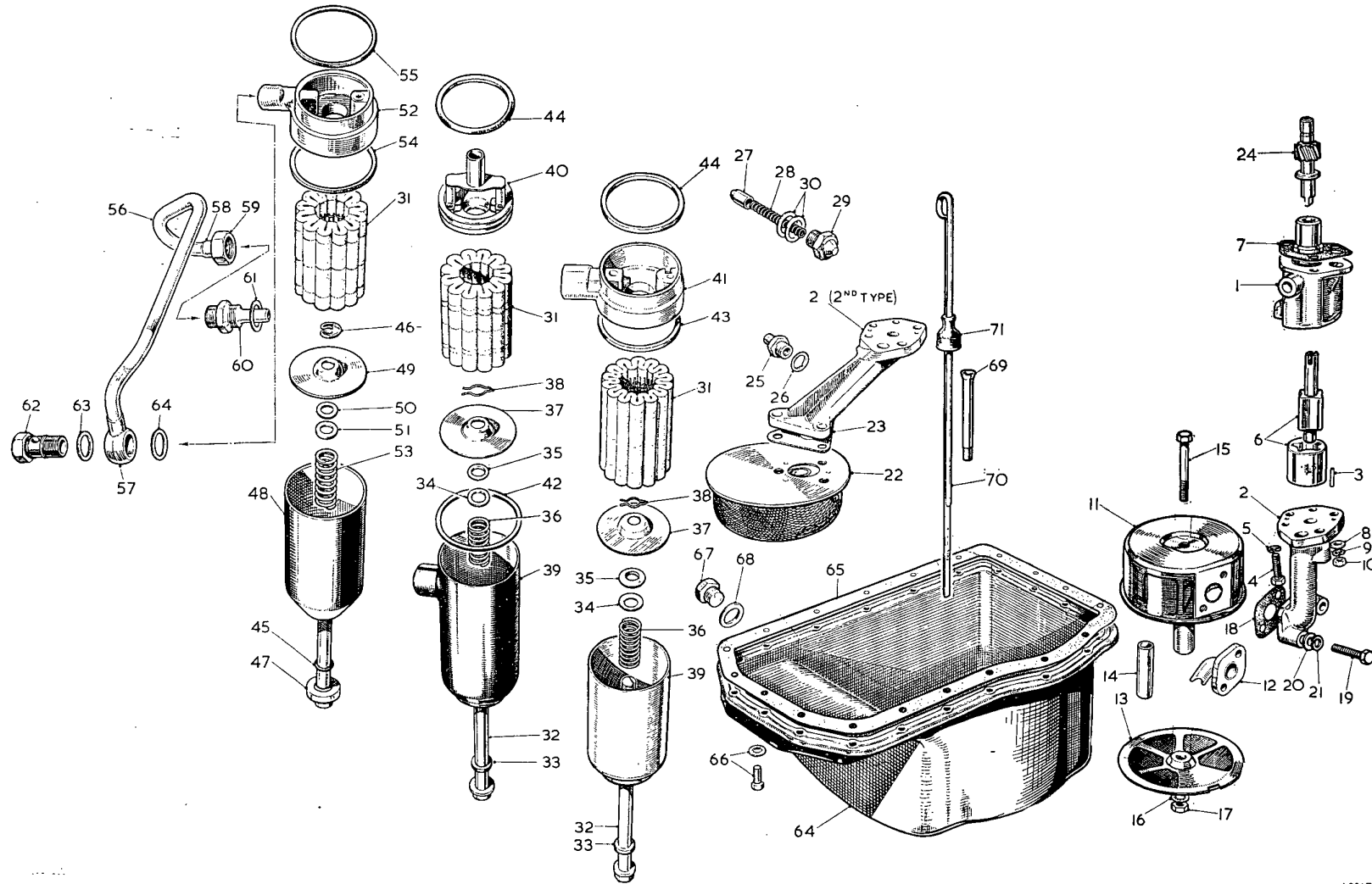
**THE M.G. Series MGA 1500**

Item No.	DESCRIPTION	Commencing (E) GB101		Qty. per Vehicle		Unit of Issue	Type of Vehicle	MODIFICATIONS			REMARKS
		Part Number	Illus. No.	RHD	LHD			New Part Number	Change Point	Amdt. No.	
1	<b>OIL PUMP—PIPE—FILTER—RELEASE VALVE</b> <b>Pump assembly—oil ..... (R)</b>	<b>11G37</b>		<b>1</b>	<b>1</b>			<b>1H1191</b>	<b>Com. (E) GB46045 to 46100, then 46342 on</b>		
2	Body and plug.....	7H1790	AD1	1	1						
3	Cover.....	7H1791	AD2	1	1			17H1712	Com. (E) GB46045 to 46100, then 46342 on		
4	Dowel.....	7H1793	AD3	2	2						
5	Screw—cover to body.....	HNS0407	AD4	2	2						
6	Screw—cover to body (short).....			1	1						
7	Screw—cover to body (long).....			1	1			HNS0408	Fin. (E) GB46044 except 46101 to 46341 Com. (E) GB46045 to 46100, then 46342 on		
8	Washer for screw (spring).....	LWN204	AD5	2	2			HNS0414			
9	Shaft—driving (with rotors).....	7H1792	AD6	1	1						
10	Joint washer—oil pump to crankcase.....	11G10	AD7	1	1	12					
11	Washer for stud—oil pump to crankcase (plain).....	PWN105	AD8	3	3	12					
12	Washer for stud—oil pump to crankcase (spring).....	2K5319	AD9	3	3						
13	Nut for stud—oil pump to crankcase.....	FNN105	AD10	3	3						
14	<b>Strainer—oil</b> .....	<b>1G2390</b>		<b>1</b>	<b>1</b>						
15	Body—oil strainer.....	1G2391	AD11	1	1						] Alternatives
16	Body—oil strainer.....	11G143		1	1						
17	Pipe—oil strainer suction.....	1G2385	AD12	1	1						
18	Cover—oil strainer (bottom).....	1G1989	AD13	1	1						
19	Distance piece for oil strainer.....	1K1382	AD14	1	1						
20	Bolt—oil strainer body to bottom cover.....	51K1366	AD15	1	1						
21	Washer for bolt (shakeproof).....	LWN605	AD16	1	1				Fin. (E) GB46044 except 46101 to 46341		
22	Nut for bolt.....	FNN105	AD17	1	1						
23	Joint washer—oil strainer to pump.....	1G2342	AD18	1	1	12					
24	Screw—strainer to pump.....	HBN0412	AD19	2	2						
25	Washer for screw (plain).....	PWN104	AD20	2	2						
26	Washer for screw (spring).....	LWN204	AD21	2	2						
27	<b>Strainer—oil</b> .....	<b>AD22</b>		<b>1</b>	<b>1</b>			<b>1H1192</b>			
28	Cover—oil strainer (top).....			1	1			N.S.P.			
29	Body—oil strainer.....			1	1			N.S.P.			
30	Plate for body.....			1	1			N.S.P.	Com. (E) GB46045 to 46100, then 46342 on		
31	Pipe—oil strainer suction.....			1	1			N.S.P.			
32	Plate for oil suction pipe.....			1	1			N.S.P.			
33	Bolt—oil strainer to oil pump.....			3	3			HNS0406			
34	Washer for bolt (spring).....			3	3			LWN304			
35	Joint washer—oil strainer to pump.....		AD23	1	1			1H1198			
36	<b>Spindle—oil pump driving</b> .....	<b>11G12</b>	<b>AD24</b>	<b>1</b>	<b>1</b>						
37	Union—oil pressure gauge pipe.....	11G15	AD25	1	1						
38	Washer for union.....	6K638	AD26	1	1	12					



A2267.





A2267.

**SERVICE PARTS LIST**

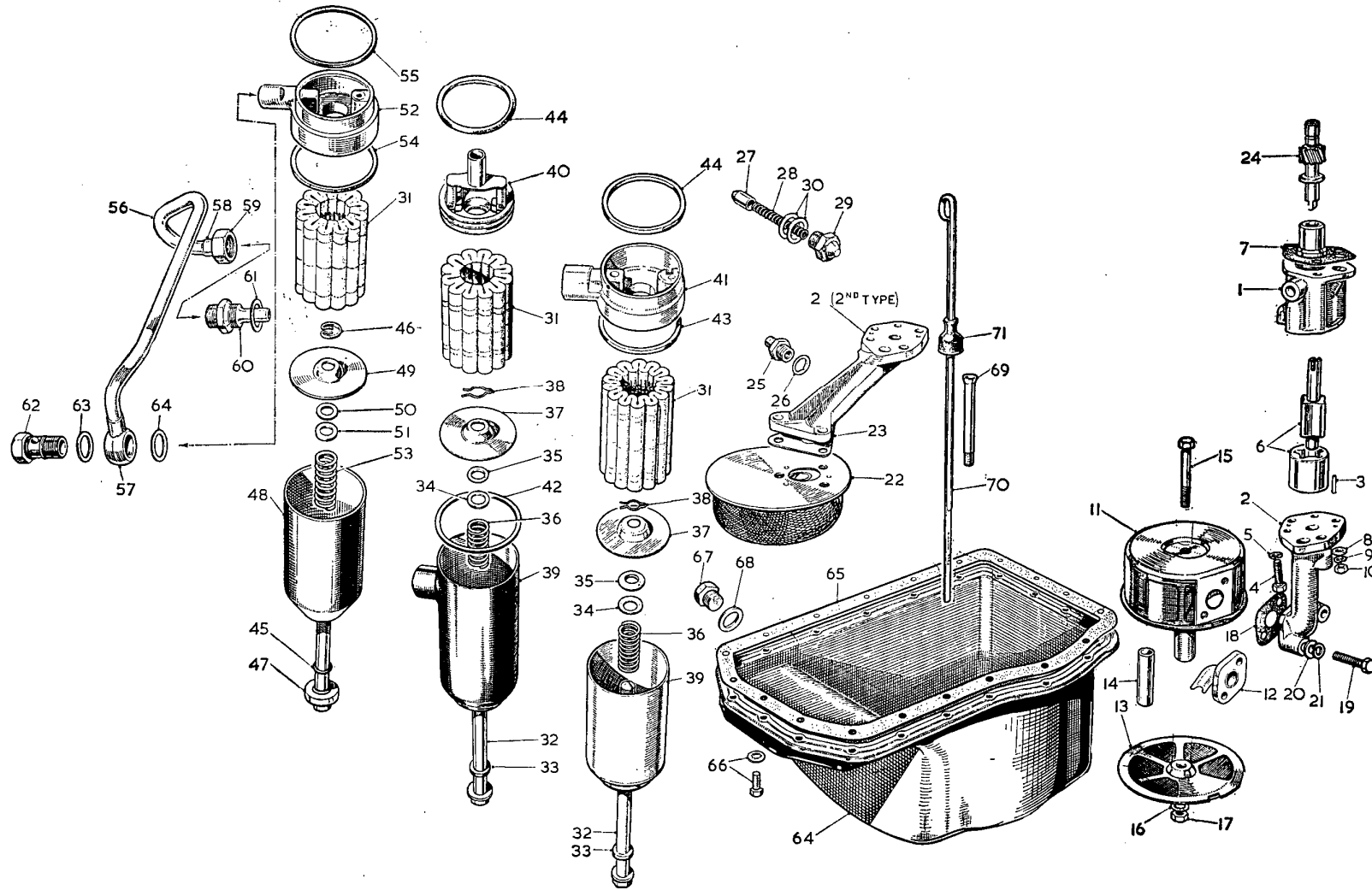
**THE M.G. Series MGA 1500**

Item No.	DESCRIPTION	Commencing (E) GB101		Qty. per Vehicle		Unit of Issue	Type of Vehicle	MODIFICATIONS			REMARKS
		Part Number	Illus. No.	RHD	LHD			New Part Number	Change Point	Amdt. No.	
	<b>Oil Pump—Pipe—Filter—Release Valve—continued</b>										
1	Valve—oil release .....	1G1452	AD27	1	1						
2	Spring for release valve .....	1H756	AD28	1	1						
3	Nut for spring (cap) .....	1A2206	AD29	1	1						
4	Washer for cap nut (fibre) .....	2K4982	AD30	2	2						
5	<b>Filter—oil—full-flow (Tecalemit)</b> .....	<b>1H778</b>		<b>1</b>	<b>1</b>			<b>1H1067</b>	<b>Com. (E) GB26661 except 26701 to 26933</b>		<b>Alternative to 1H1051</b>
6	<b>Element for filter</b> .....	<b>8G683</b>	<b>AD31</b>	<b>1</b>	<b>1</b>						
7	Bolt—centre .....	7H1965	AD32	1	1						
8	Washer—sealing .....	7H1948	AD33	1	1						
9	Washer (steel) .....	7H1969	AD34	1	1						
10	Washer (felt) .....	7H1968	AD35	1	1						
11	Spring .....	7H1764	AD36	1	1						
12	Plate—pressure .....	17H846	AD37	1	1						
13	Circlip .....	7H1952	AD38	1	1						
14	Container .....	7H1964	AD39	1	1			1H1069	Com. (E) GB26661 except 26701 to 26933		
15	Valve assembly .....	7H1963	AD40	1	1						
16	Head assembly .....		AD41	1	1			1H1068	Fin. (E) GB26660 except 26701 to 26933 Com. (E) GB26661 except 26701 to 26933		
17	Packing—hydraulic .....	17H847	AD42	1	1						
18	Joint ring—container to head .....		AD43	1	1	12		8G619	Com. (E) GB26661 except 26701 to 26933		
19	Joint ring—filter to crankcase .....	8G619	AD44	1	1	12					
20	<b>Filter—oil—full-flow (Purolator)</b> .....			<b>1</b>	<b>1</b>			<b>1H1051</b>	<b>Com. (E) GB26661 except 26701 to 26933</b>		<b>Alternative to 1H1067</b>
21	<b>Element for filter</b> .....		<b>AD31</b>	<b>1</b>	<b>1</b>			<b>8G683</b>	Com. (E) GB26661 except 26701 to 26933		
22	Ring—sealing .....		AD45	1	1			17H1556			
23	Circlip .....		AD46	1	1			17H1557			
24	Bolt—centre .....		AD47	1	1			17H1558			
25	Collar for centre-bolt .....			1	1			17H1559			
26	Body assembly .....		AD48	1	1			1H1053			
27	Plate—pressure .....		AD49	1	1			17H1446			
28	Seal .....		AD50	1	1			17H1447			
29	Washer .....		AD51	1	1			17H1448			
30	Head assembly .....		AD52	1	1			1H1052			
31	Spring .....		AD53	1	1			17H1449			
32	Joint ring—body to filter head .....		AD54	1	1	12		8G619			
33	Joint ring—filter head to crankcase .....		AD55	1	1	12		8G619			

**SERVICE PARTS LIST**

**THE M.G. Series MGA 1500**

Item No.	DESCRIPTION	Commencing (E) GB101		Qty. per Vehicle		Unit of Issue	Type of Vehicle	MODIFICATIONS			REMARKS
		Part Number	Illus. No.	RHD	LHD			New Part Number	Change Point	Amdt. No.	
1	<b>Oil Pump—Pipe—Filter—Release Valve—continued</b> <b>Pipe assembly—oil—filter to crankcase</b>	<b>1H1005</b>	<b>AD56</b>	<b>1</b>	<b>1</b>			<b>1H1056</b>	<b>Com. (E) GB26661</b> <b>except 26701 to 26933</b>		<b>When supplying 1H1005</b> <b>prior to (E) GB11298</b> <b>supply also 1 off 1H922</b> <b>adaptor</b>
2	Banjo union	1K2141	AD57	1	1						
3	Nipple	2K5163	AD58	1	1						
4	Nut	2K5164	AD59	1	1						
5	Adaptor for oil pipe	1H762	AD60	1	1			1H922	] Com. (E) GB11298		
6	Joint washer for adaptor	6K501	AD61	1	1			1H898			
7	Screw for banjo union	1K2142	AD62	1	1						
8	Washer for screw	6K501	AD63	2	2			1H898	] Com. (E) GB11298		
9	Washer for screw (inner)			1	1			6K501		] Com. (E) GB45501	
10	Washer for screw (outer)			1	1			1H898			
	<b>OIL RESERVOIR—DIPPER ROD</b>										
11	<b>Reservoir—oil</b>	<b>1G2508</b>	<b>AD64</b>	<b>1</b>	<b>1</b>						
12	Joint washer—reservoir to crankcase	1G2290	AD65	1	1	12					
13	Screw with captive washer—reservoir to crankcase	6K639	AD66	19	19	12					
14	Plug—drain—oil reservoir	2F4249	AD67	1	1						
15	Washer for plug	6K638	AD68	1	1	12					
16	Tube—oil dipper rod	1B1063	AD69	1	1						
17	<b>Rod—oil dipper</b>	<b>11G64</b>	<b>AD70</b>	<b>1</b>	<b>1</b>						
18	Dust cap for oil dipper rod	1B1735	AD71	1	1						



A3267.



**SERVICE PARTS LIST**

**THE M.G. Series MGA 1500**

Item No.	DESCRIPTION	Commencing (E) GB101		Qty. per Vehicle		Unit of Issue	Type of Vehicle	MODIFICATIONS			REMARKS
		Part Number	Illus. No.	RHD	LHD			New Part Number	Change Point	Amdt. No.	
	<b>WATER PUMP—FAN PULLEY—BELT</b>										
1	<b>Pump assembly—water (less pulley and hub)</b> .....	<b>11G164</b>		1	1						
2	Body—water pump .....	1G2301	AE1	1	1						
3	Plug—water pump oil filler .....	11G209	AE2	1	1						
4	Washer for plug .....	2K4958	AE3	1	1	36					
5	Spindle with vane—water pump .....	11G165	AE4	1	1						
6	Seal .....	8G698	AE5	1	1	12					
7	Distance piece—gland .....	1G2303	AE6	1	1	12					
8	Washer—felt .....	2K8450	AE7	1	1						
9	Retainer—felt washer (inner) .....	1A2065	AE8	1	1						
10	Retainer—felt washer (outer) .....	1A2066	AE9	1	1	12					
11	Bearing—ball .....	2A457	AE10	2	2						
12	Distance piece for water pump bearing .....	1A2064	AE11	1	1						
13	Retainer—grease .....	1G2310	AE12	1	1	6					
14	Ring—spring .....	1A2068	AE13	1	1						
15	Key for pulley .....	6K49	AE14	1	1						
16	Hub for pulley .....	11G204	AE15	1	1						
17	Washer for hub (spring) .....	2K5896	AE16	1	1						
18	Nut for hub .....	FNZ207	AE17	1	1	12					
19	<b>Repair kit—water pump</b> .....	<b>8G2130</b>		1	1						
20	Washer for plug .....			1	1						
21	Seal .....			1	1						
22	Washer (felt) .....			1	1						
23	Retainer—felt washer (inner) .....			1	1						
24	Retainer—felt washer (outer) .....			1	1						
25	Ring—spring .....			1	1						
26	Joint washer—water pump to block .....			1	1						
27	<b>Pump assembly (reconditioned) (U.K. only) (R)</b> .....	<b>8G662</b>		1	1						
28	<b>Body with .020" O/S bearing housing (U.K. only)</b> .....	<b>11G259</b>		1	1						
29	<b>Bearing—ball (.020" O/S) (U.K. only)</b> .....	<b>11G260</b>		1	1						
30	<b>Pump assembly—water (with hub)</b> .....			1	1						
31	Body—water pump .....		AE18	1	1						1H1149
32	Vane—water pump .....		AE19	1	1						1H1151
33	Bearing assembly—water pump .....		AE20	1	1						1H1152
34	Hub for pulley.....		AE21	1	1						1H1153
35	Wire for bearing (locating) .....		AE22	1	1						1H1154
36	Screw for lubricating point .....		AE23	1	1						2A778
37	Washer for screw .....		AE24	1	1	12					58K1483
38	Seal .....		AE25	1	1	12					2K4974
39	Pulley for fan and water pump .....	11G200	AE26	1	1						8G698
40	Joint washer—water pump to block .....	1G2302	AE27	1	1	12					
41	Screw—water pump body to crankcase (long) .....	HBZ0512	AE28	2	2						
42	Screw—water pump body to crankcase (short) .....	HZS0509	AE29	2	2						
43	Washer for screw (spring) .....	2K5319	AE30	4	4						

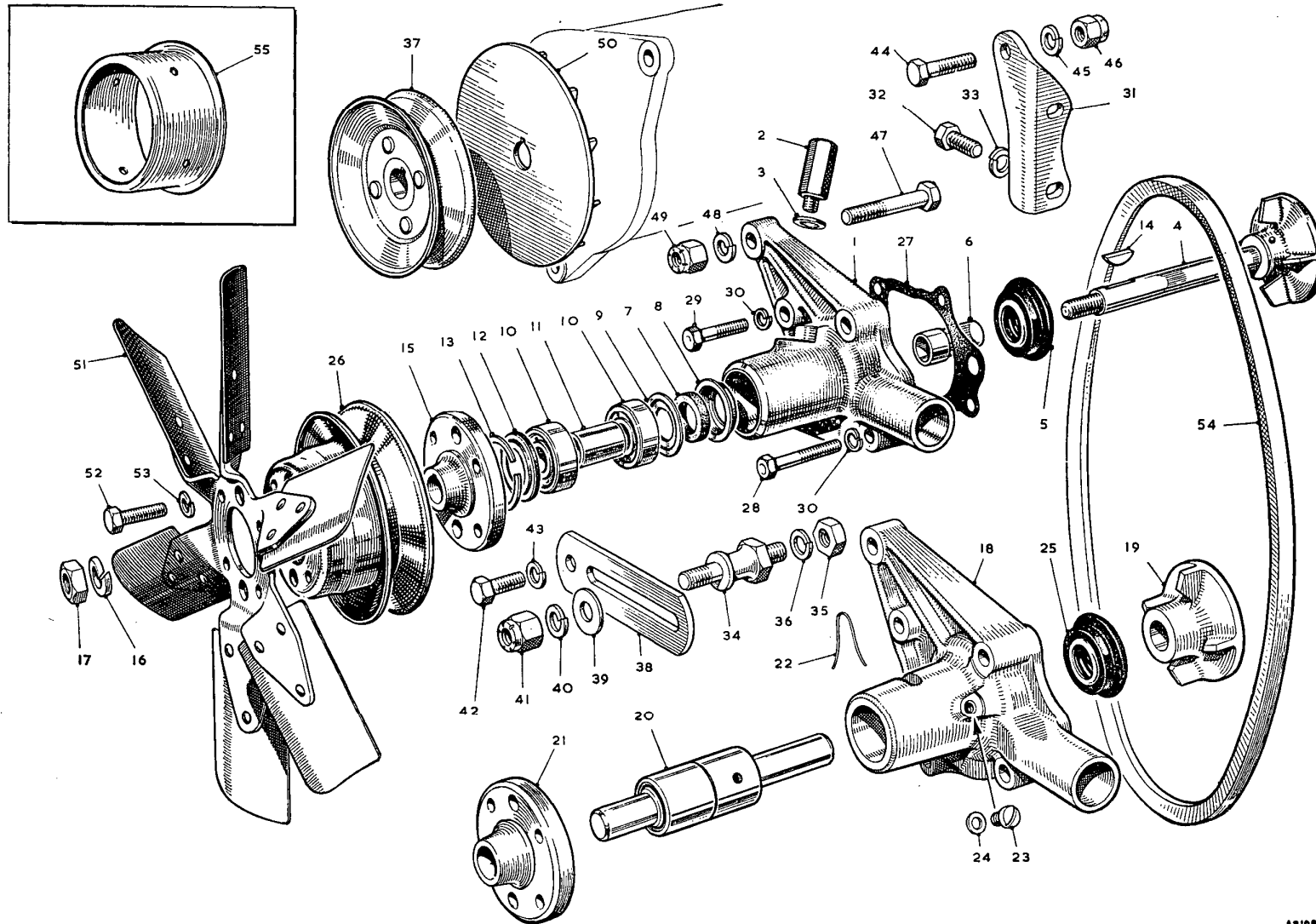
Fin. (E) GB39364  
except 39401 to 39525

Com. (E) GB39365  
except 39401 to 39525

**SERVICE PARTS LIST**

**THE M.G. Series MGA 1500**

Item No.	DESCRIPTION	Commencing (E) GB101		Qty. per Vehicle		Unit of Issue	Type of Vehicle	MODIFICATIONS			REMARKS
		Part Number	Illus. No.	RHD	LHD			New Part Number	Change Point	Amdt. No.	
	<b>DYNAMO MOUNTING</b>										
1	Bracket—dynamo	2A758	AE31	1	1						
2	Screw—bracket to crankcase	HZS0506	AE32	2	2						
3	Washer for screw (spring)	2K5319	AE33	2	2						
4	Pillar—dynamo mounting	2A128	AE34	1	1						
5	Nut for dynamo mounting pillar	FNZ506	AE35	1	1						
6	Washer for nut (spring)	LWN206	AE36	1	1			LWN306	Com. (E) GD101		
7	Pulley for dynamo	2A412	AE37	1	1			1H998	Com. (E) GB17061		
8	Link for dynamo—adjusting	2A497	AE38	1	1						
9	Washer for adjusting link to pillar	2K9982	AE39	1	1						
10	Washer for adjusting link to pillar (spring)	LWN206	AE40	1	1						
11	Nut for adjusting link to pillar	LNZ206	AE41	1	1						
12	Screw for link to dynamo	8H2098	AE42	1	1						
13	Washer for screw	2K5319	AE43	1	1						
14	Bolt for dynamo bracket	HBZ0509	AE44	1	1						
15	Washer for bolt (spring)	2K5319	AE45	1	1						
16	Nut for bolt	LNZ205	AE46	1	1						
17	Bolt for dynamo to water pump	HBZ0513	AE47	1	1						
18	Washer for bolt (spring)	2K5319	AE48	1	1						
19	Nut for bolt	LNZ205	AE49	1	1						
20	<b>Fan for dynamo</b>	<b>1G1783</b>	<b>AE50</b>	<b>1</b>	<b>1</b>						
	<b>FAN BLADES—BELT</b>										
21	<b>Fan blade assembly</b>	<b>AEG129</b>	<b>AE51</b>	<b>1</b>	<b>1</b>						
22	Screw—fan to pulley	HZS0406	AE52	4	4						
23	Washer for screw (spring)	LWZ204	AE53	4	4						
24	<b>Belt for fan (wedge-type)</b>	<b>1G2716</b>	<b>AE54</b>	<b>1</b>	<b>1</b>			<b>1H1001</b>	<b>Com. (E) GB17061</b>		
25	Blanking sleeve—thermostat by-pass	11G176	AE55	1	1						



A2199





**SERVICE PARTS LIST**

**THE M.G. Series MGA 1500**

Item No.	DESCRIPTION	Commencing (E) GB101		Qty. per Vehicle		Unit of Issue	Type of Vehicle	MODIFICATIONS			REMARKS
		Part Number	Illus. No.	RHD	LHD			New Part Number	Change Point	Amdt. No.	
	<b>ENGINE SERVICE KITS</b>										
1	<b>Joint washer kit for engine decarbonizing</b> .....	<b>48G139</b>		<b>1 kit</b>	<b>1 kit</b>	<b>1</b>					
2	Joint washer for cylinder head .....										
3	Joint washer for inlet and exhaust manifold .....										
4	Joint washer for thermostat .....										
5	Joint washer for water outlet elbow .....										
6	Joint washer for valve rocker cover .....										
7	Joint washer for heater outlet elbow cover .....										
8	Packing ring for valves .....										
9	Joint washer for air cleaner to carburetter .....										
10	Joint washer for carburetters .....										
11	<b>Supplementary joint washer kit</b> .....	<b>48G122</b>		<b>1 kit</b>	<b>1 kit</b>	<b>1</b>					
12	Joint strip for main bearing caps .....										
13	Joint washer for cylinder side cover .....										
14	Joint washer for mechanical petrol pump .....										
15	Joint washer for oil strainer to oil pump .....										
16	Joint washer for oil pump .....										
17	Joint washer for oil reservoir .....										
18	Joint washer for water pump .....										
19	Washer for oil reservoir plug .....										
20	Joint washer for engine rear plate .....										
21	Joint washer for engine front cover .....										
22	Joint washer for engine front plate .....										
23	Joint washer for crankcase blanking plate .....										
24	<b>Supplementary joint washer kit</b> .....	<b>48G138</b>		<b>1 kit</b>	<b>1 kit</b>	<b>1</b>					
25	Joint strip for main bearing caps .....										
26	Joint washer for cylinder side cover .....										
27	Joint washer for mechanical petrol pump .....										
28	Joint washer for oil strainer to oil pump .....										
29	Joint washer for oil pump .....										
30	Joint washer for oil reservoir .....										
31	Joint washer for water pump .....										
32	Washer for oil reservoir plug .....										
33	Joint washer for engine rear plate .....										
34	Joint washer for engine front cover .....										
35	Joint washer for engine front plate .....										
36	Joint washer for chain tensioner .....										
37	Joint washer for oil filter crankcase .....										
38	Joint washer for oil pipe adaptor .....										
39	Joint washer for crankcase blanking plate .....										
40	<b>Chain tensioner servicing kit</b> .....	<b>17H341</b>		<b>1 kit</b>	<b>1 kit</b>	<b>1</b>					
41	Spring .....										
42	Bottom plug .....										
43	Tab washer .....										
44	Cylinder .....										

Use supplementary set with 48G139 for complete engine overhaul. For use on engines prior to the introduction of chain tensioner (E) GB259

For engines fitted with chain tensioner from (E) GB259

**SERVICE PARTS LIST**

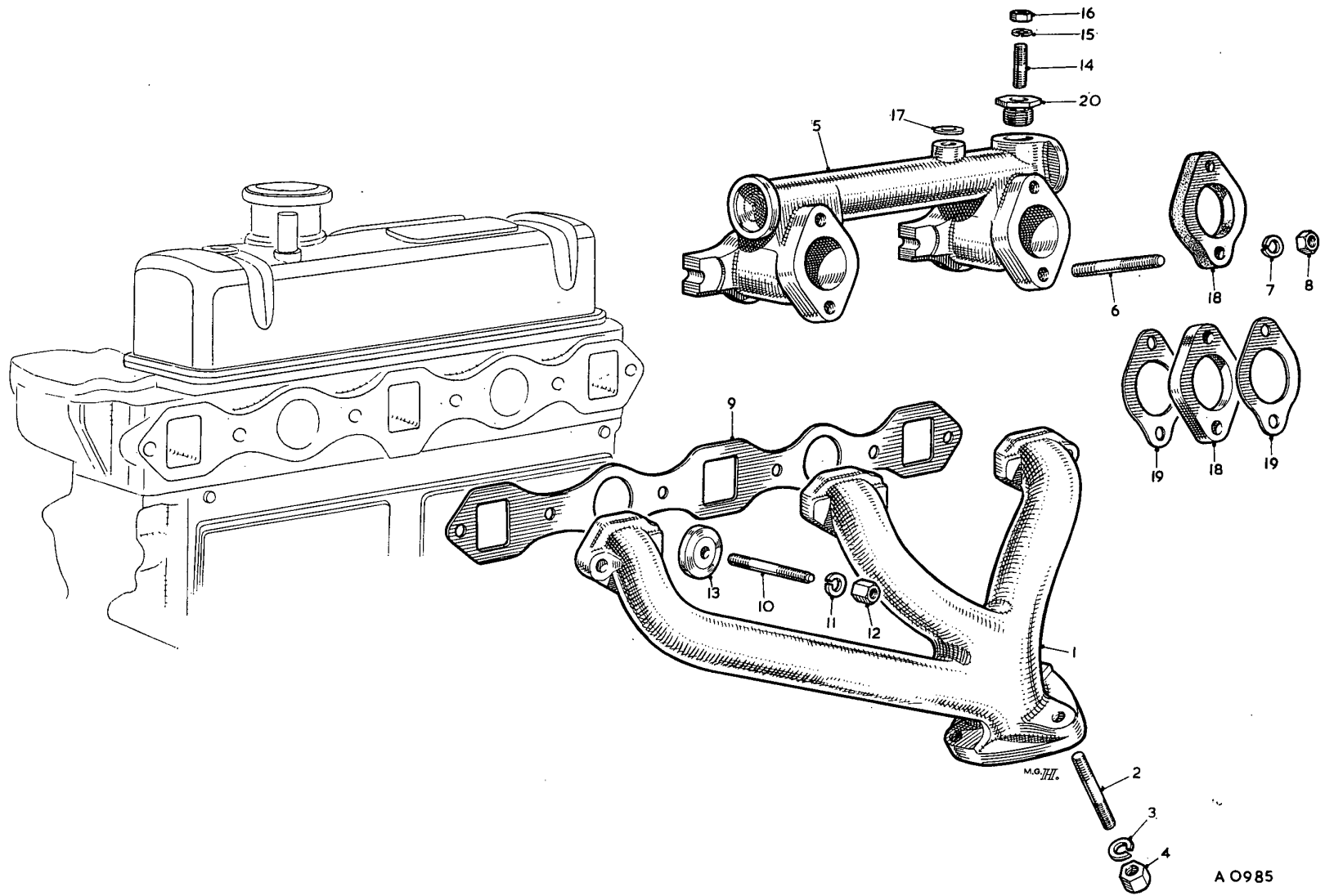
**THE M.G. Series MGA 1500**

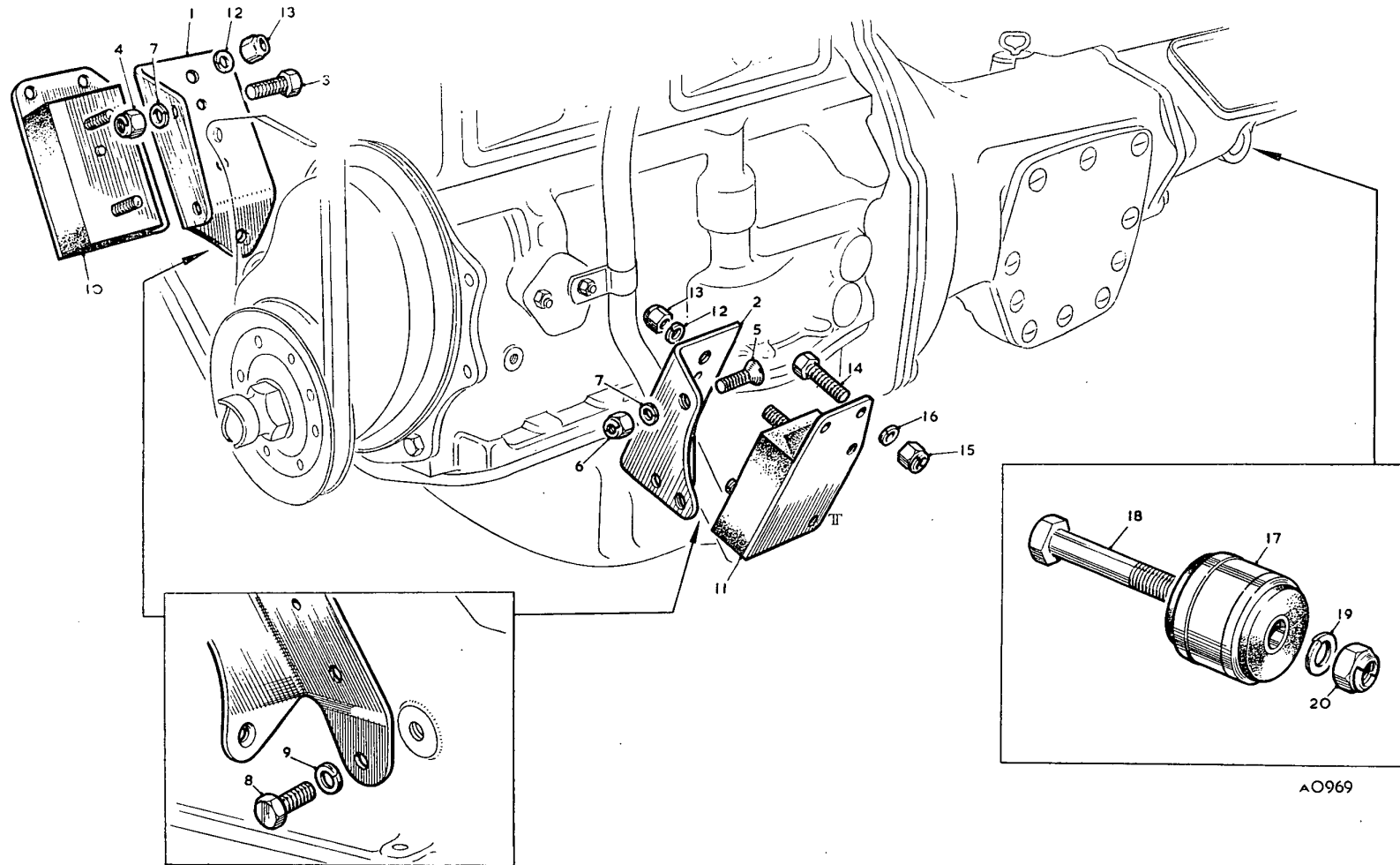
Item No.	DESCRIPTION	Commencing (E) GB101		Qty. per Vehicle		Unit of Issue	Type of Vehicle	MODIFICATIONS			REMARKS
		Part Number	Illus. No.	RHD	LHD			New Part Number	Change Point	Amdt. No.	
	<b>TOURING KIT</b>										
1	Touring kit .....	<b>8G1057</b>		<b>1 kit</b>	<b>1 kit</b>	<b>1</b>		<b>8G1058</b> <b>8G1073</b>	<b>Com. (E) GB17061</b> <b>Com. (E) GD7551</b>		
2	Contact set .....			1	1						
3	Rotor .....			1	1						
4	Condenser .....			1	1						
5	Sparking plugs .....			1	1						
6	Fuse (35-amp.) .....			3	3						
7	Inlet valve .....			1	1						
8	Exhaust valve .....			1	1						
9	Valve spring (outer) .....			2	2						
10	Valve spring (inner) .....			2	2						
11	Valve cotter .....			2 prs.	2 prs.						
12	Valve cup .....			2	2						
13	Valve circlip .....			2	2						
14	Fan belt .....			1	1						
15	Distributor cap .....			1	1						
16	Top hose for radiator .....			1	1						
17	Bottom hose for radiator .....			1	1						
18	Headlamp bulb .....			1	1						
19	Sidelamp bulb .....			1	1						
20	Number-plate bulb .....			1	1						
21	Tail lamp bulb .....			1	1						

**SERVICE PARTS LIST**

**THE M.G. Series MGA 1500**

Item No.	DESCRIPTION	Commencing (E) GB101		Qty. per Vehicle		Unit of Issue	Type of Vehicle	MODIFICATIONS			REMARKS
		Part Number	Illus. No.	RHD	LHD			New Part Number	Change Point	Amdt. No.	
	<b>EXHAUST AND INLET MANIFOLD</b>										
1	<b>Manifold—exhaust</b>	<b>48G143</b>	<b>AF1</b>	<b>1</b>	<b>1</b>						
2	Stud for exhaust pipe flange	AEH194	AF2	3	3						
3	Washer for stud	LWZ205	AF3	3	3	24					
4	Nut for stud	AEH195	AF4	3	3						
5	<b>Manifold—induction</b>	<b>AEH174</b>	<b>AF5</b>	<b>1</b>	<b>1</b>						
6	Stud—carburettor to induction manifold	52K2236	AF6	4	4						
7	Washer for stud	PWZ106	AF7	4	4						
8	Nut for stud	FNZ106	AF8	4	4						
9	Joint washer manifolds to cylinder head	1G2417	AF9	1	1	12					
10	Stud—inlet and exhaust manifolds to cylinder head	58K490	AF10	4	4						
11	Washer for stud (spring)	LWZ205	AF11	6	6	24					
12	Nut for stud (stainless steel)	AHH5171	AF12	6	6						
13	Yoke—manifold	1G2418	AF13	4	4	12					
14	Stud—inlet manifold (accelerator abutment bracket)	AHH5299	AF14	2	2						
15	Washer for stud (spring)	LWZ206	AF15	2	2						
16	Nut for stud	FNZ206	AF16	2	2						
17	Washer—packing—for vacuum pipe	PWZ106	AF17	1	1						
18	Washer—carburettor insulating	AEG111	AF18	2	2			AHH5713	] Com. (C) 42613		] Required together from (C) 42613
19	Gasket—heat shield		AF19	4	4			AEH551			
20	Adaptor plug		AF20	1	1			AEH281	Com. (E) GB23567		





A0969

**SERVICE PARTS LIST**

**THE M.G. Series MGA 1500**

Item No.	DESCRIPTION	Commencing (E) GB101		Qty. per Vehicle		Unit of Issue	Type of Vehicle	MODIFICATIONS			REMARKS
		Part Number	Illus. No.	RHD	LHD			New Part Number	Change Point	Amdt. No.	
	<b>ENGINE MOUNTING</b>										
1	Bracket—engine mounting (R/H front)	<b>AHH5065</b>	<b>AG1</b>	1	1						
2	Bracket—engine mounting (L/H front)	<b>AHH5066</b>	<b>AG2</b>	1	1						
3	Screw—bracket to mounting plate—R/H	HZS0507	AG3	2	2						
4	Nut—bracket to mounting plate—R/H	LNZ105	AG4	2	2						
5	Screw—bracket to plate (countersunk)	CMZ0516	AG5	2	2						
6	Nut for countersunk screw	LNZ105	AG6	2	2						
7	Washer for countersunk screw (spring)	LWZ205	AG7	4	4	24					
8	Screw—bracket to block	HZS0606	AG8	2	2						
9	Washer for screw (spring)	LWZ206	AG9	2	2						
10	<b>Rubber—engine mounting (R/H front)</b>	<b>AHH5027</b>	<b>AG10</b>	1	1						
11	<b>Rubber—engine mounting (L/H front)</b>	<b>AHH5028</b>	<b>AG11</b>	1	1						
12	Washer—engine mounting to bracket (spring)	LWZ205	AG12	4	4	24					
13	Nut—engine mounting to bracket	FNZ105	AG13	4	4						
14	Screw—mounting rubber to frame brackets	HZS0506	AG14	8	8						
15	Nut for screw	FNZ105	AG15	8	8						
16	Washer for screw (spring)	LWZ205	AG16	8	8	24					
17	<b>Flexible bush—rear engine mounting</b>	<b>AHH5031</b>	<b>AG17</b>	1	1						
18	Bolt for flexible bush	HBZ0826	AG18	1	1						
19	Washer for bolt	LWZ208	AG19	1	1						
20	Nut for rear mounting bush bolt	LNZ108	AG20	1	1						